



US00D517957S

(12) **United States Design Patent**  
**Savage et al.**

(10) **Patent No.:** **US D517,957 S**  
(45) **Date of Patent:** **\*\* Mar. 28, 2006**

(54) **MOTORCYCLE**

D442,521 S 5/2001 Pan  
D462,638 S 9/2002 Davidson et al.  
D482,300 S 11/2003 Davidson et al.

(75) Inventors: **Frank Savage**, Trenton, WI (US);  
**Willie G. Davidson**, Delafield, WI (US);  
**Louis Netz**, Grafton, WI (US);  
**Kirk Rasmussen**, Wales, WI (US);  
**Mike Alstrin**, Milwaukee, WI (US);  
**John Myers**, Glendale, WI (US); **Joe Dennert**, New Berlin, WI (US); **Doug Reichardt**, West Bend, WI (US); **Chris Fecke**, Milwaukee, WI (US); **Brian Scherbarth**, Menomonee Falls, WI (US); **Joshua Hedtke**, Union Grove, WI (US); **Jeff Spraggon**, Mukwonago, WI (US); **Phil Rusch**, Brookfield, WI (US); **Ben Wright**, Sullivan, WI (US); **Pierluigi Belloli**, Milwaukee, WI (US); **Bjorn Christensen**, Waukesha, WI (US); **Tom Berry**, Port Washington, WI (US); **Mark DeMilio**, Franklin, WI (US); **Suzanne J. Schneider**, Franklin, WI (US); **Carminati Fabiano**, Mozzo (IT); **Mozzati Alberto**, Presezzo (IT); **Cereda Marco**, Curno (IT); **Carlos Sena**, Greenfield, WI (US)

(73) Assignees: **Harley-Davidson Motor Company Group, Inc.**, Milwaukee, WI (US);  
**Brembo S.p.A.**, Curno (IT)

(\*\*) Term: **14 Years**

(21) Appl. No.: **29/221,914**

(22) Filed: **Jan. 21, 2005**

(51) **LOC (8) Cl.** ..... **12-11**

(52) **U.S. Cl.** ..... **D12/110**

(58) **Field of Classification Search** ..... D12/110;  
180/219

See application file for complete search history.

(56) **References Cited**

**U.S. PATENT DOCUMENTS**

D344,046 S 2/1994 Kitagawa et al.

**OTHER PUBLICATIONS**

A photograph of a FLSTF Fat Boy®, published in “Harley-Davidson® Model Year 2001 Motorcycles,” the publication has a copyright date of 2000, published prior to Jul. 9, 2001.

A photograph of a 2001 FXDL Dyna Low Rider®, published in “Harley-Davidson: 2001 Genuine Motor Accessories and Genuine Motor Parts,” pp. 2 and 3, published prior to Jul. 9, 2001.

A photograph of a 2001 Sportster® 1200 Sport XL 1200S, published in “Harley-Davidson: 2001 Genuine Motor Accessories and Genuine Motor Parts,” pp. 18 and 19, published prior to Jul. 9, 2001.

A photograph of a 2001 Sportster® 883 Hugger® XLH, published in “Harley-Davidson: 2001 Genuine Motor Accessories and Genuine Motor Parts,” pp. 96 and 97, published prior to Jul. 9, 2001.

(Continued)

*Primary Examiner*—Alan P. Douglas

*Assistant Examiner*—Linda Brooks

(74) *Attorney, Agent, or Firm*—Michael Best & Friedrich LLP

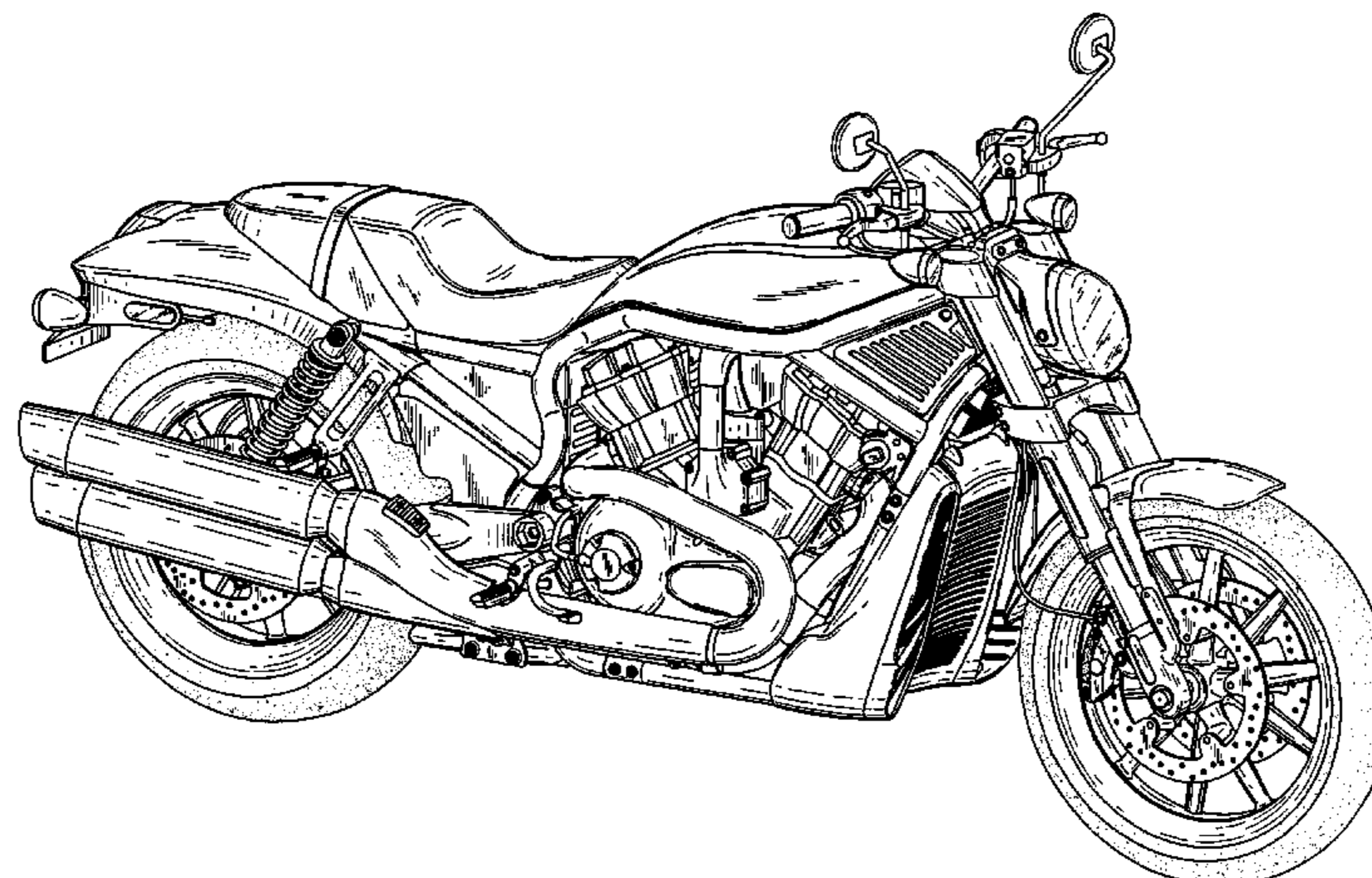
(57) **CLAIM**

We claim the ornamental design for a motorcycle, as shown and described.

**DESCRIPTION**

FIG. 1 is a perspective view of a motorcycle;  
FIG. 2 is a right side view of the motorcycle of FIG. 1;  
FIG. 3 is a left side view of the motorcycle of FIG. 1;  
FIG. 4 is a front view of the motorcycle of FIG. 1;  
FIG. 5 is a rear view of the motorcycle of FIG. 1;  
FIG. 6 is a top view of the motorcycle of FIG. 1; and,  
FIG. 7 is a bottom view of the motorcycle of FIG. 1.

**1 Claim, 7 Drawing Sheets**



## OTHER PUBLICATIONS

A photograph of a 2001 DYNA Super Glide® FXD, published in “Harley–Davidson: 2001 Genuine Motor Accessories and Genuine Motor Parts,” pp. 166 and 167, published prior to Jul. 9, 2001.

A photograph of a 2001 DYNA Super Glide® T–Sport FXDXT, published in “Harley–Davidson: 2001 Genuine Motor Accessories and Genuine Motor Parts,” pp. 168 and 169, published prior to Jul. 9, 2001.

A photograph of 2001 DYNA Wide Glide® FXDWG, published in “Harley–Davidson: 2001 Genuine Motor Accessories and Genuine Motor Parts,” p. 171, published prior to Jul. 9, 2001.

A photograph of a 1998 DYNA Super Glide® FXD, published in “Harley–Davidson: 2001 Genuine Motor Accessories and Genuine Motor Parts,” pp. 172 and 173, published prior to Jul. 9, 2001.

A photograph of a 2001 Fat Boy® FLSTFI, published in “Harley–Davidson: 2001 Genuine Motor Accessories and Genuine Motor Parts,” pp. 240 and 241, published prior to Jul. 9, 2001.

A photograph of a 2001 Heritage Softail® Classic FLSTCI, published in “Harley–Davidson: 2001 Genuine Motor Accessories and Genuine Motor Parts,” p. 241, published prior to Jul. 9, 2001.

A photograph of a 2001 Heritage Softail® Classic, published in “Harley–Davidson: 2001 Genuine Motor Accessories and Genuine Motor Parts,” p. 244, published prior to Jul. 9, 2001.

A photograph of a 2001 Softail® Deuce™ FXSTD, published in “Harley–Davidson: 2001 Genuine Motor Accessories and Genuine Motor Parts,” pp. 245 and 246, published prior to Jul. 9, 2001.

A photograph of a 2001 Softail® Deuce™ FXSTD, published in “Harley–Davidson: 2001 Genuine Motor Accessories and Genuine Motor Parts,” pp. 247 and 248, published prior to Jul. 9, 2001.

A photograph of a 2001 Night Train™ FXSTBI, published in “Harley–Davidson: 2001 Genuine Motor Accessories and Genuine Motor Parts,” p. 250, published prior to Jul. 9, 2001.

A photograph of a 1996 Fat Boy® Street Stalker™ Stage III FLSTF, published in “Harley–Davidson: 2001 Genuine Motor Accessories and Genuine Motor Parts,” p. 253 and 254, published prior to Jul. 9, 2001.

A photograph of a 2001 Road King® FLHRI, published in “Harley–Davidson: 2001 Genuine Motor Accessories and Genuine Motor Parts,” pp. 371 and 372, published prior to Jul. 9, 2001.



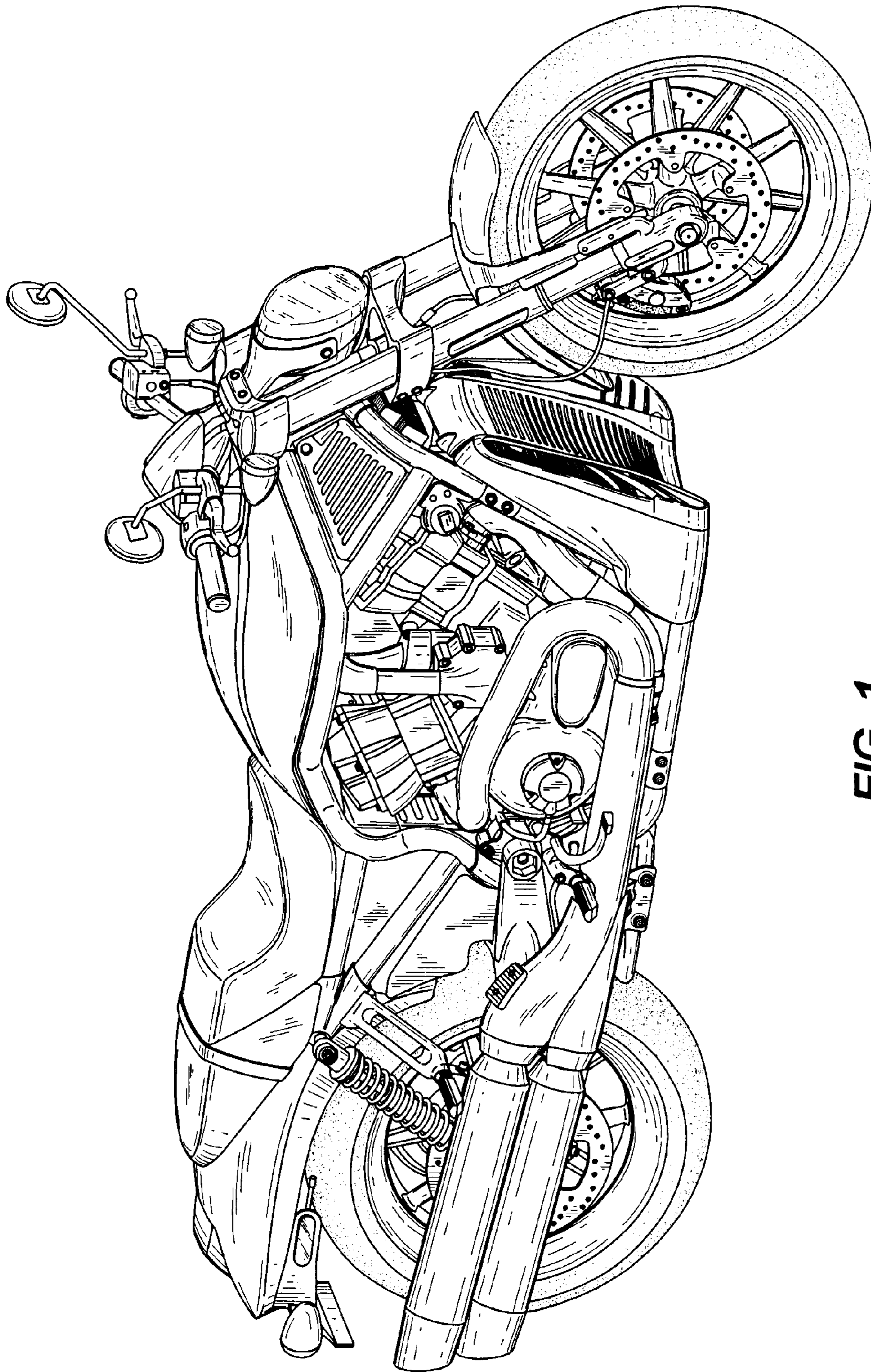


FIG. 1

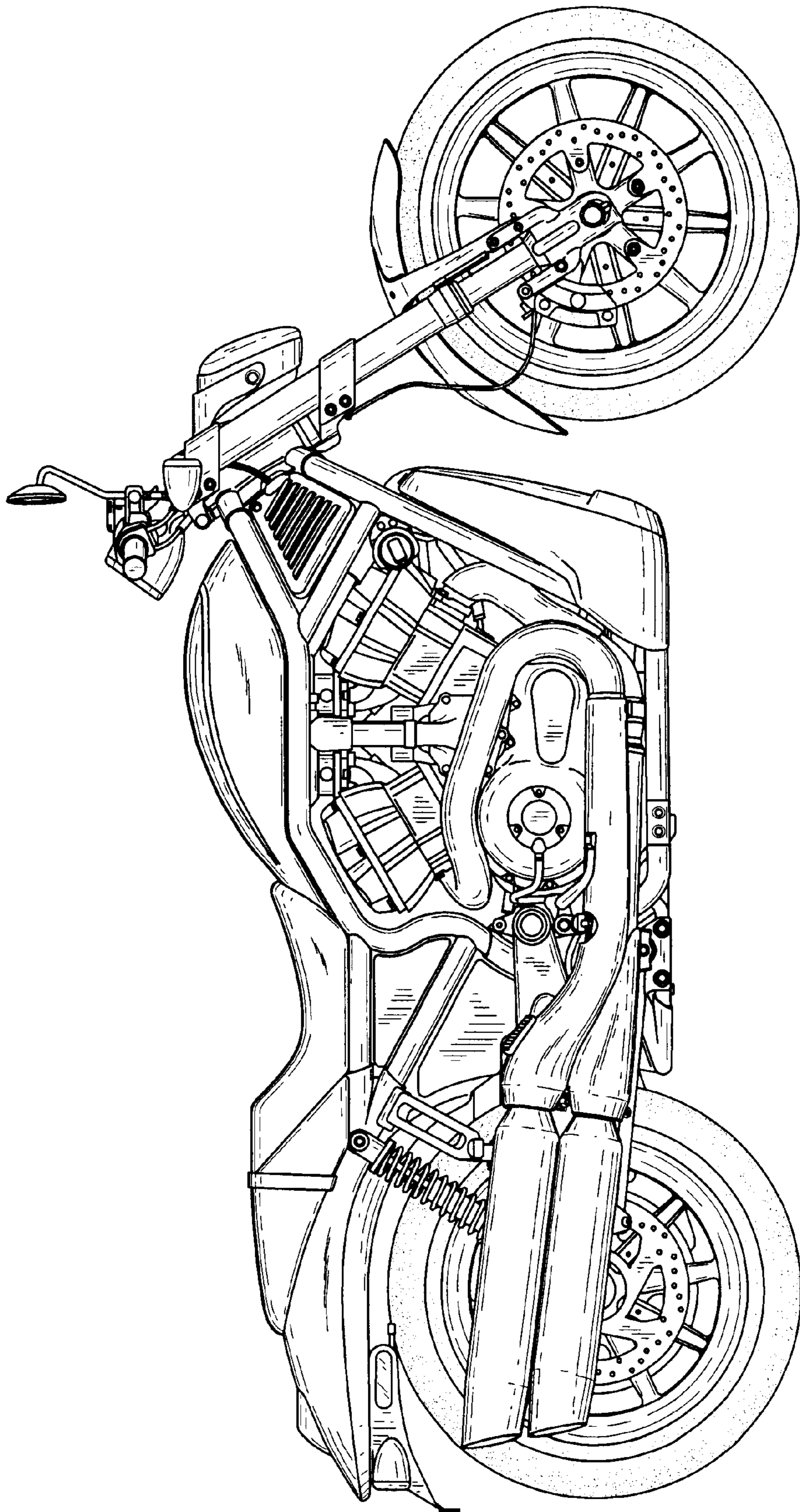


FIG. 2



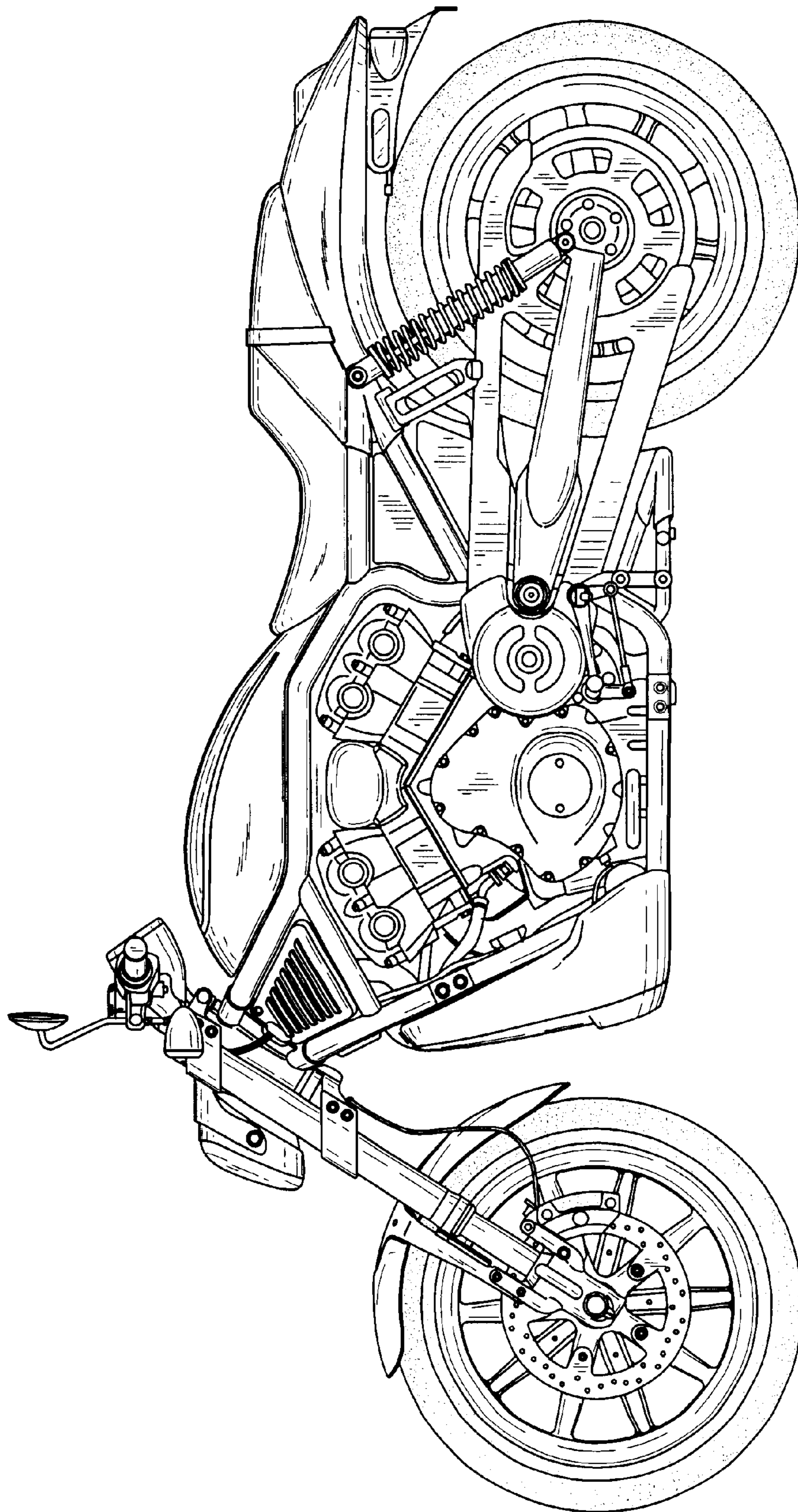
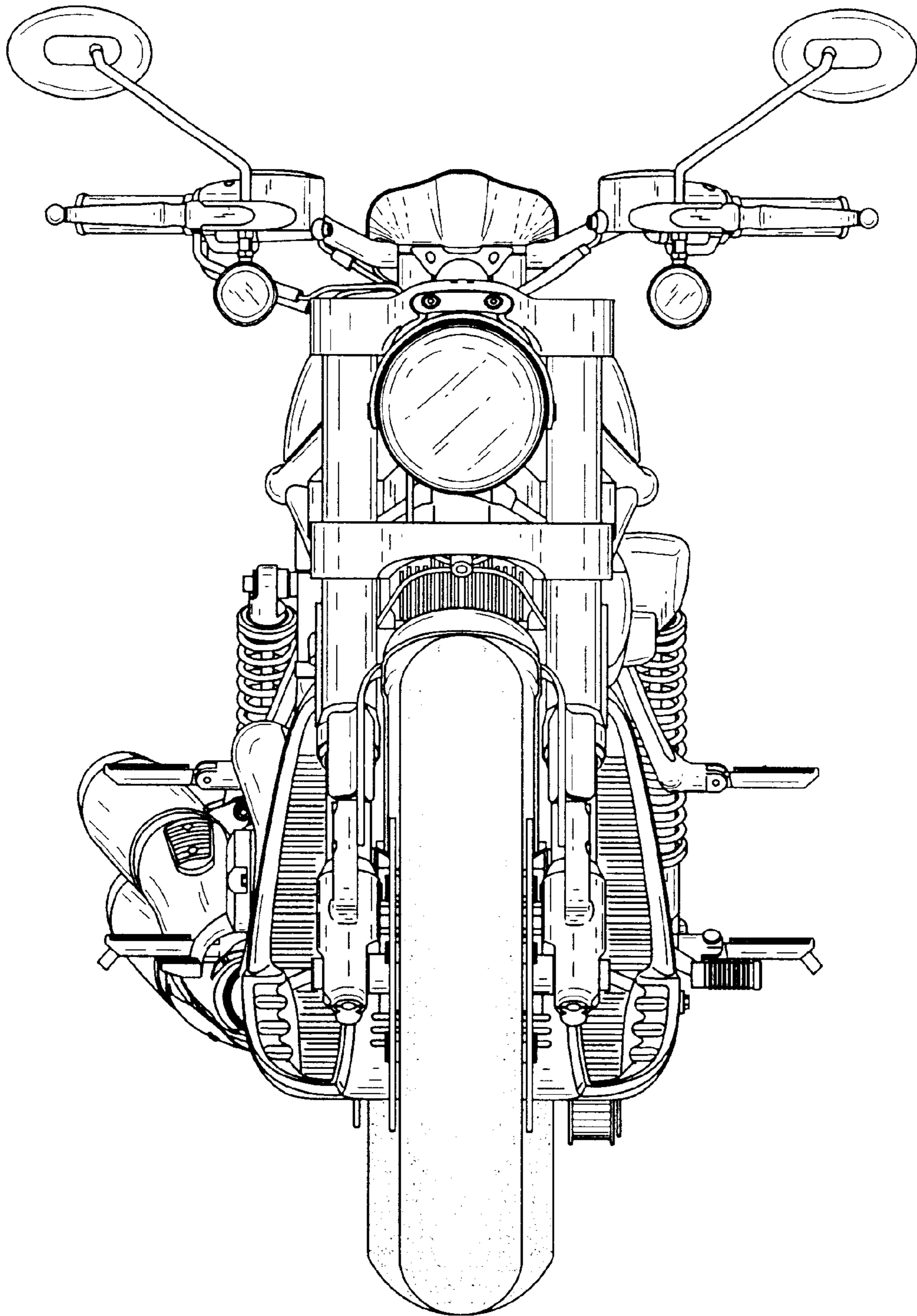
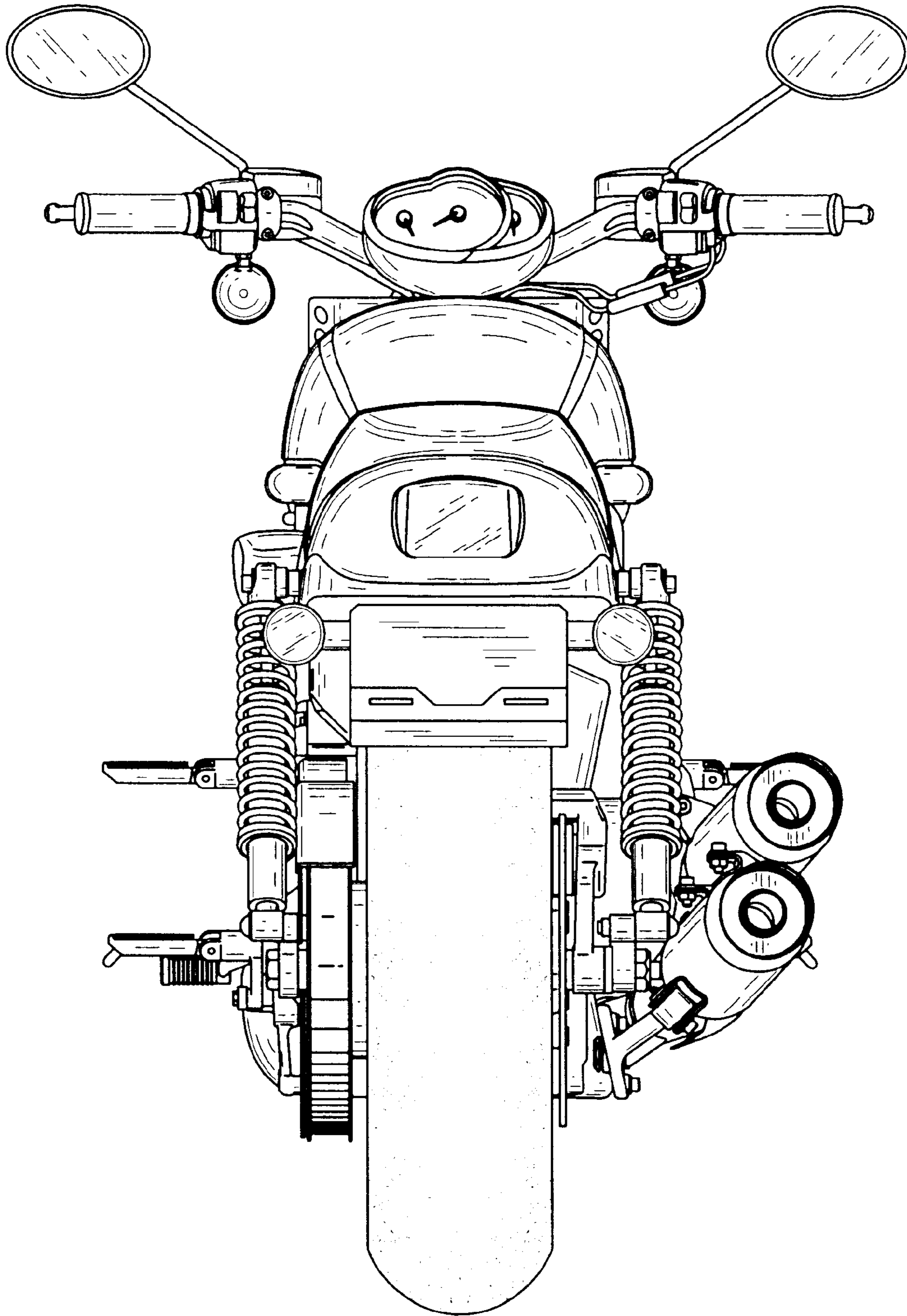


FIG. 3



**FIG. 4**



**FIG. 5**



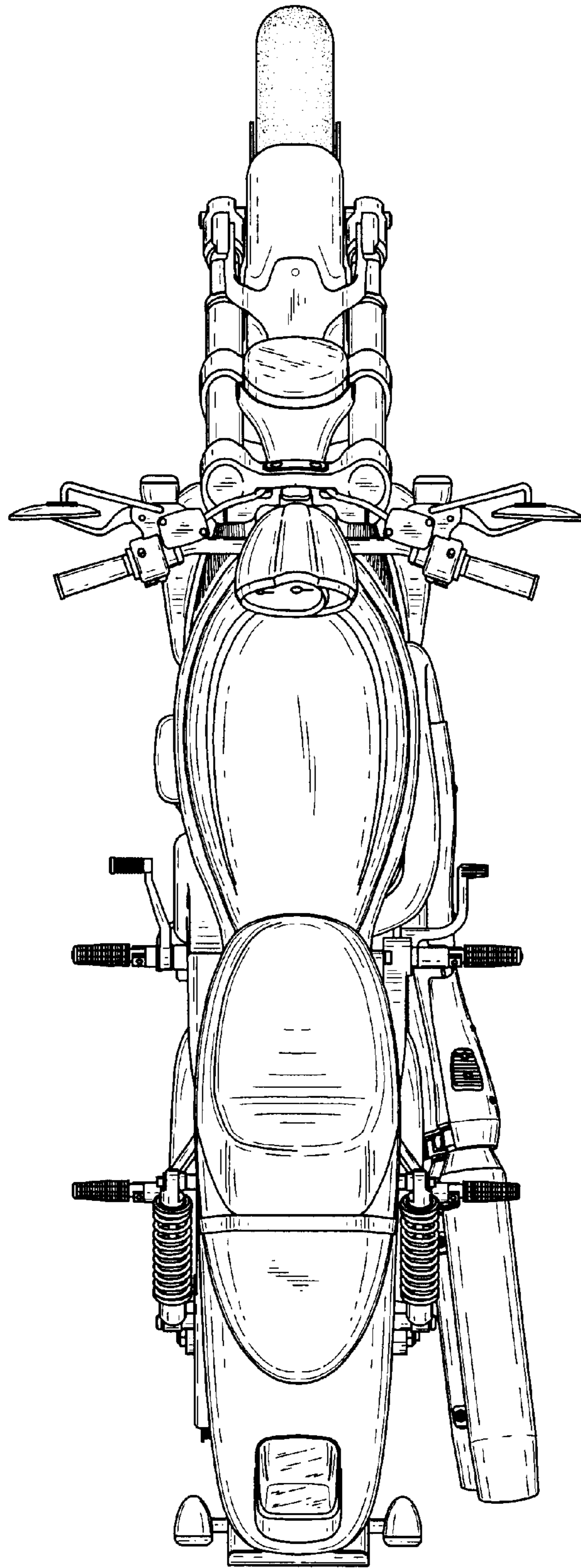


FIG. 6



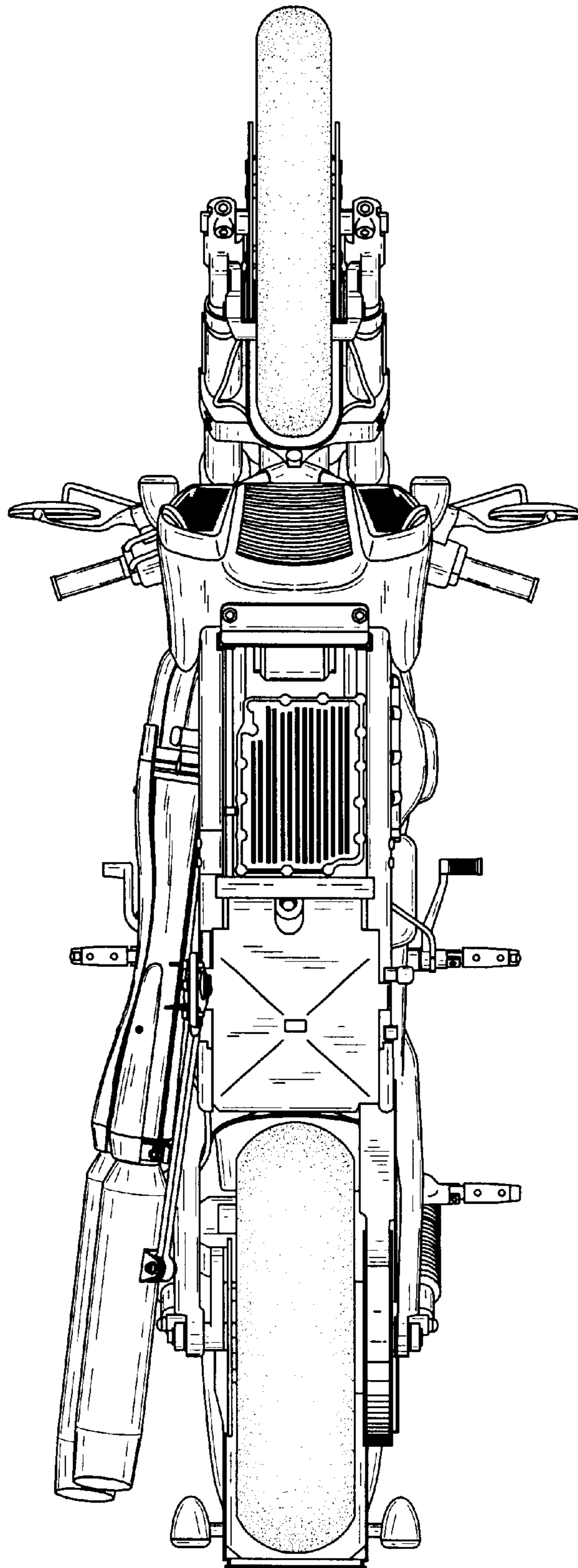


FIG. 7