



US00D517956S

(12) **United States Design Patent**
Kishi et al.

(10) **Patent No.:** **US D517,956 S**
(45) **Date of Patent:** **** Mar. 28, 2006**

(54) **MOTORCYCLE**

FOREIGN PATENT DOCUMENTS

(75) Inventors: **Toshiaki Kishi**, Wako (JP); **Yoshiyuki Ishiguri**, Wako (JP)

JP 1168456 3/2003

* cited by examiner

(73) Assignee: **Honda Motor Co., Ltd.**, Tokyo (JP)

Primary Examiner—Alan P. Douglas

Assistant Examiner—Linda Brooks

(**) Term: **14 Years**

(74) *Attorney, Agent, or Firm*—Birch, Stewart, Kolasch & Birch, LLP

(21) Appl. No.: **29/220,608**

(57) **CLAIM**

(22) Filed: **Jan. 4, 2005**

The ornamental design for, a motorcycle, as shown and described.

(30) **Foreign Application Priority Data**

Jul. 5, 2004 (JP) 2004-20144

DESCRIPTION

(51) **LOC (8) Cl.** **12-11**

FIG. 1 is a front elevation view of a motorcycle, showing our new design;

(52) **U.S. Cl.** **D12/110**

FIG. 2 is a rear elevation view thereof;

(58) **Field of Classification Search** D12/110;

FIG. 3 is a top plan view thereof;

180/219, 220, 225, 229

FIG. 4 is a right side elevation view thereof;

See application file for complete search history.

FIG. 5 is a left side elevation view thereof;

(56) **References Cited**

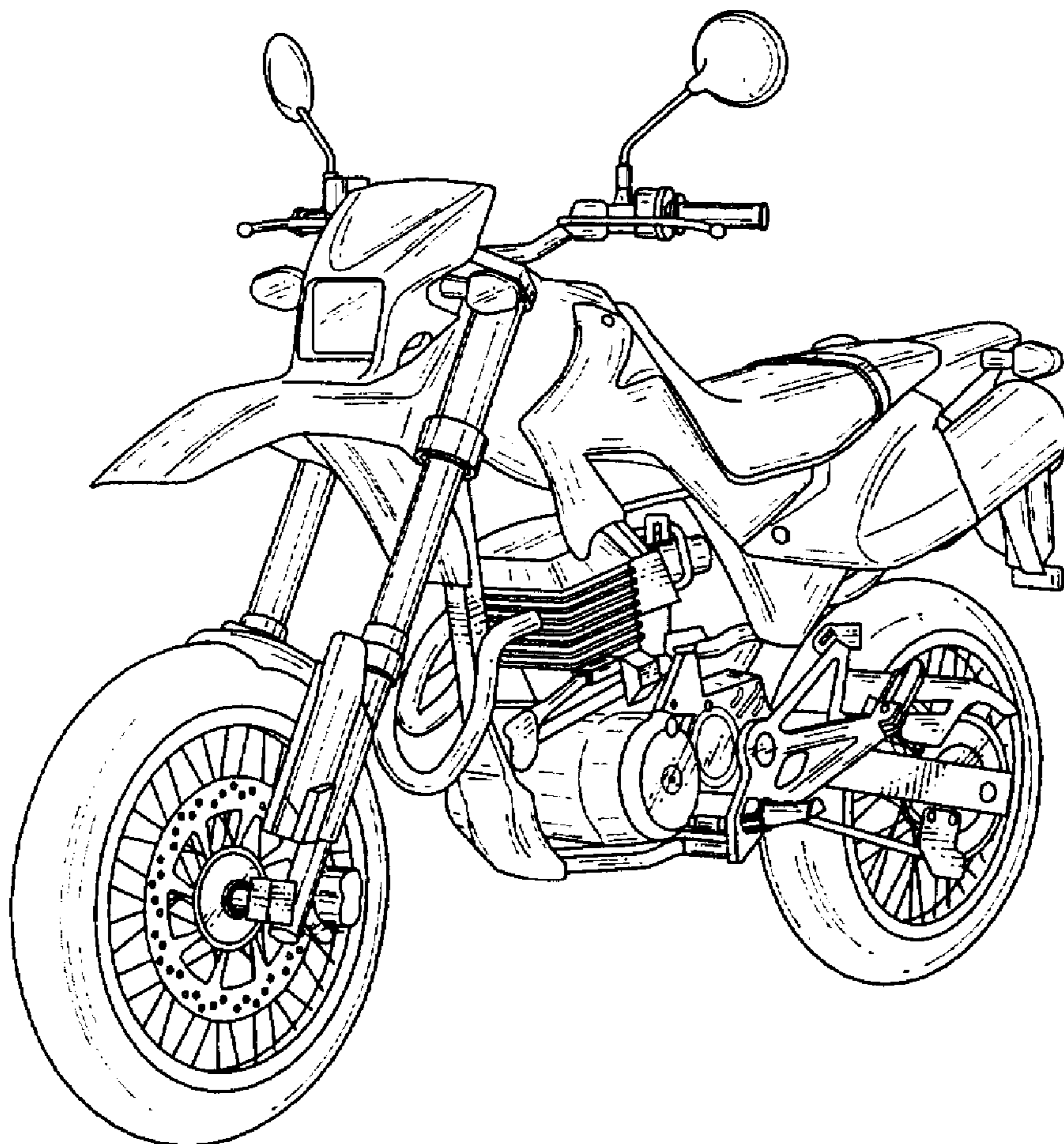
FIG. 6 is a perspective view thereof; and,

U.S. PATENT DOCUMENTS

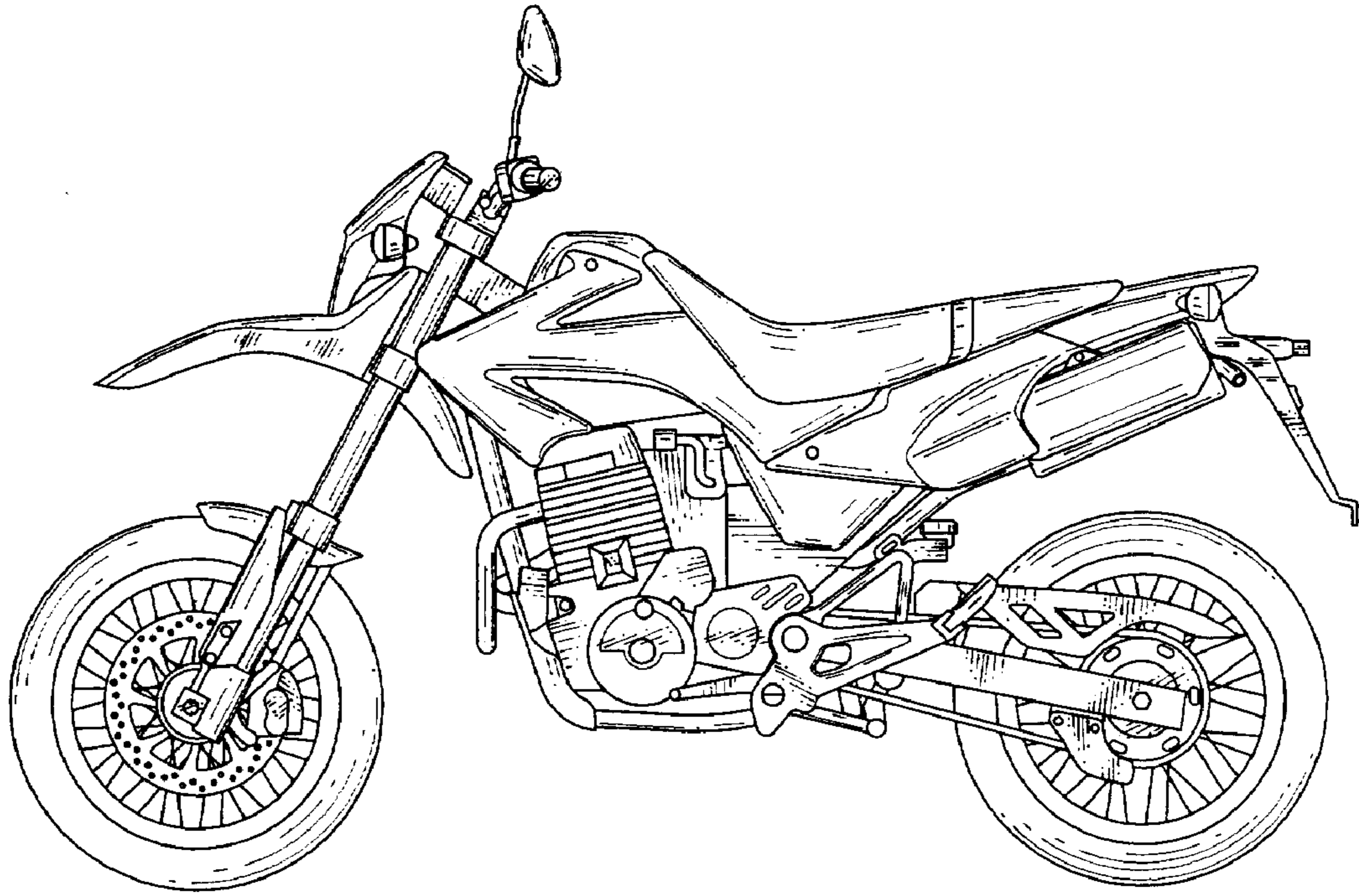
FIG. 7 is another perspective view thereof.

D387,017 S * 12/1997 Wakita et al. D12/110

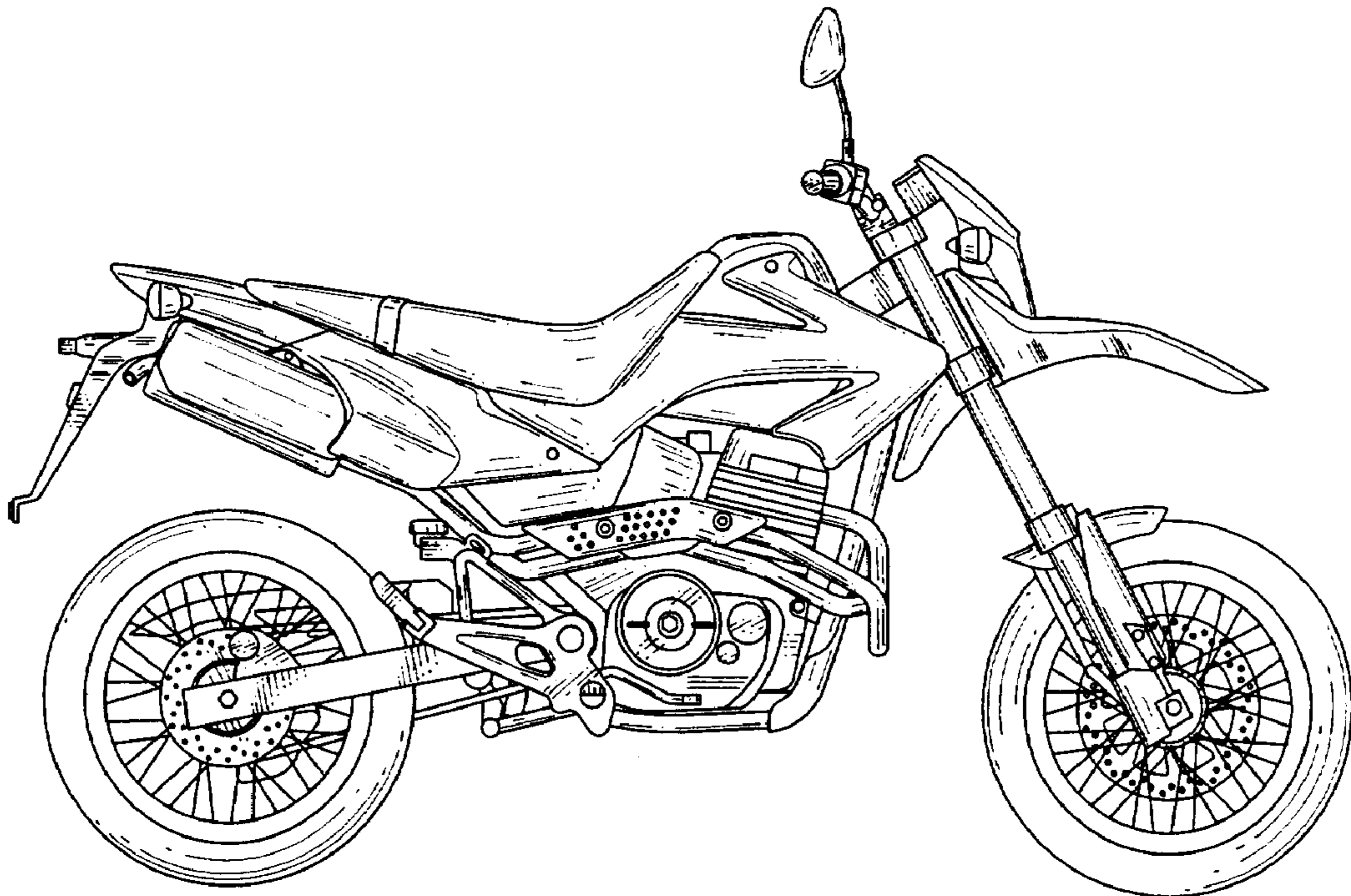
1 Claim, 5 Drawing Sheets



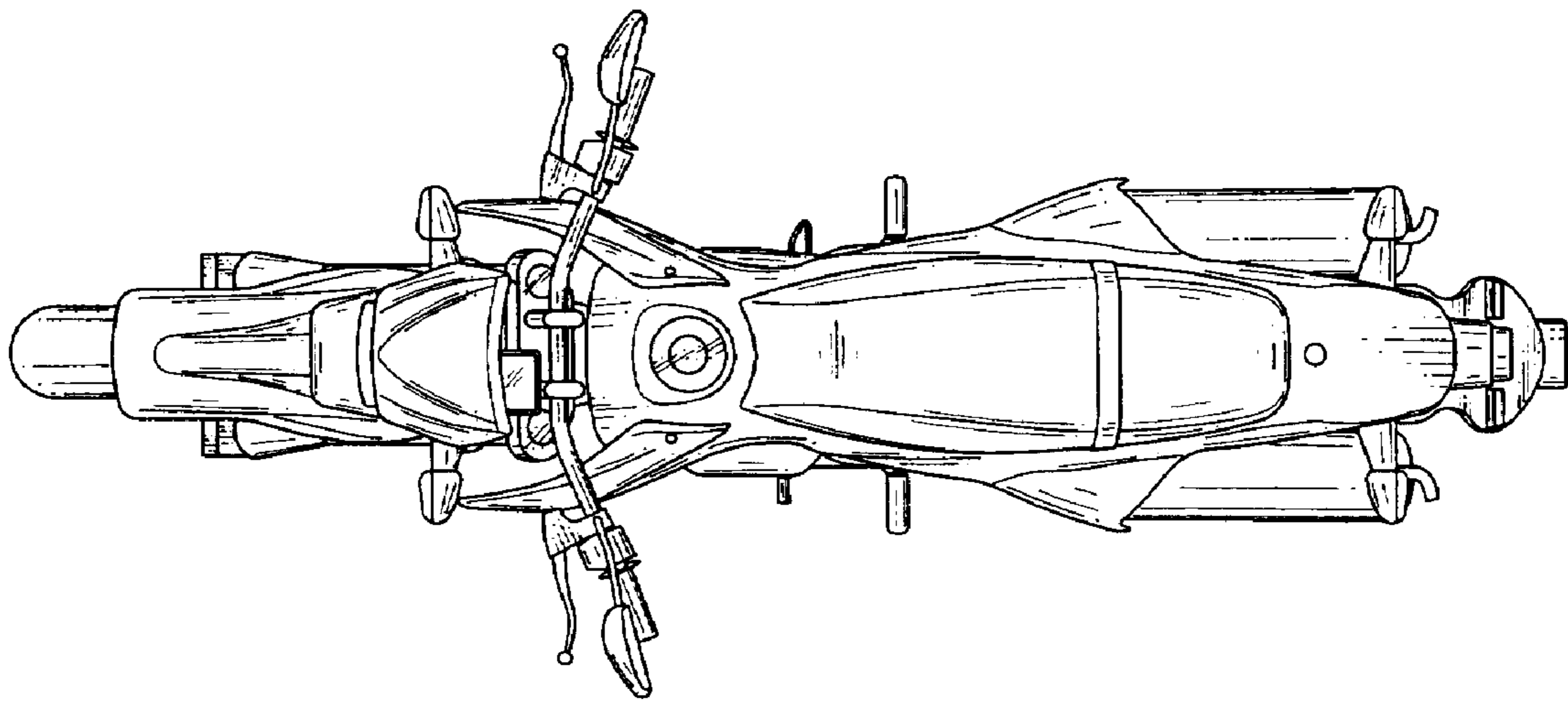
F I G. 1



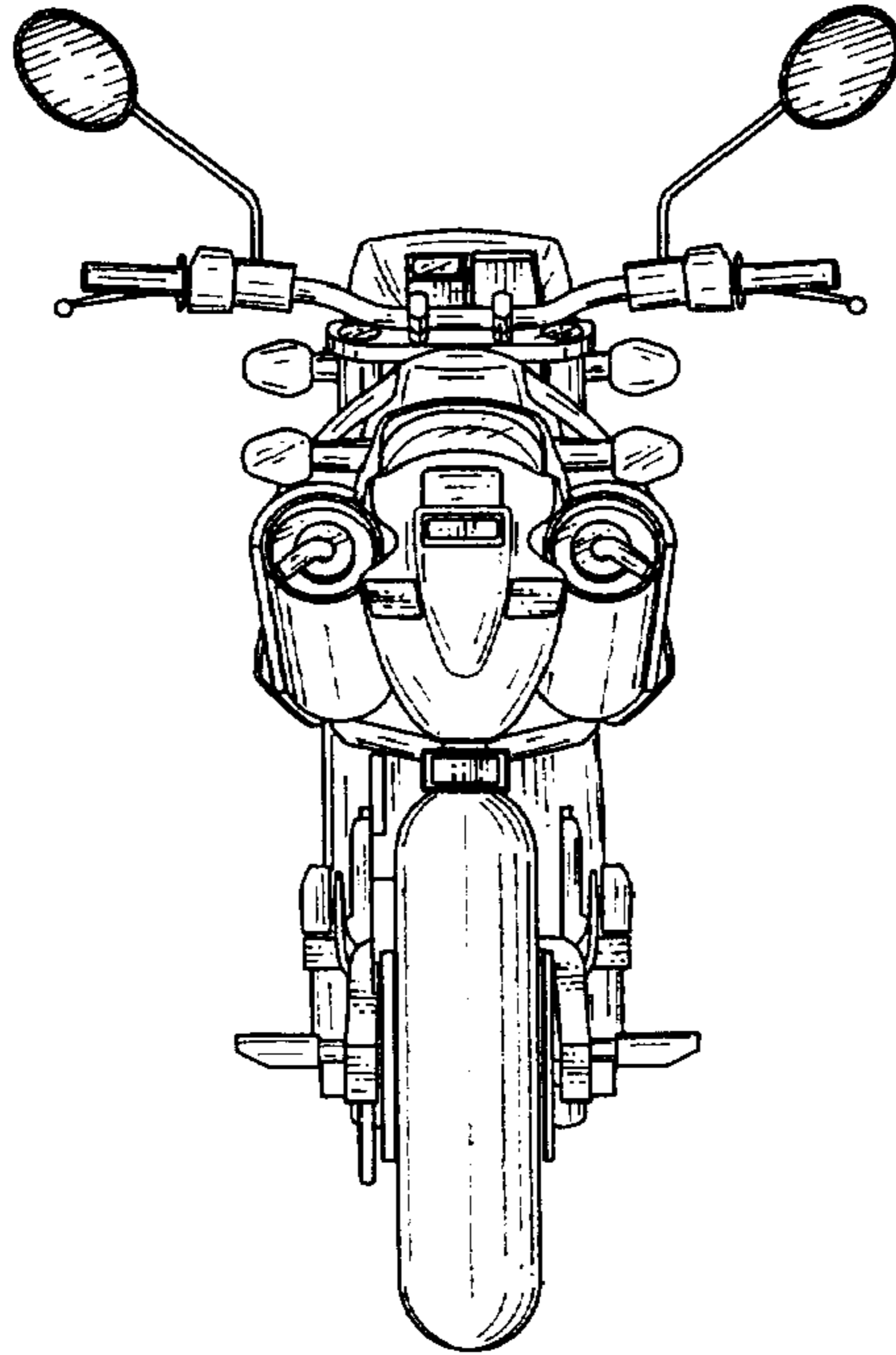
F I G. 2



F I G. 3



F I G. 4



F I G. 5

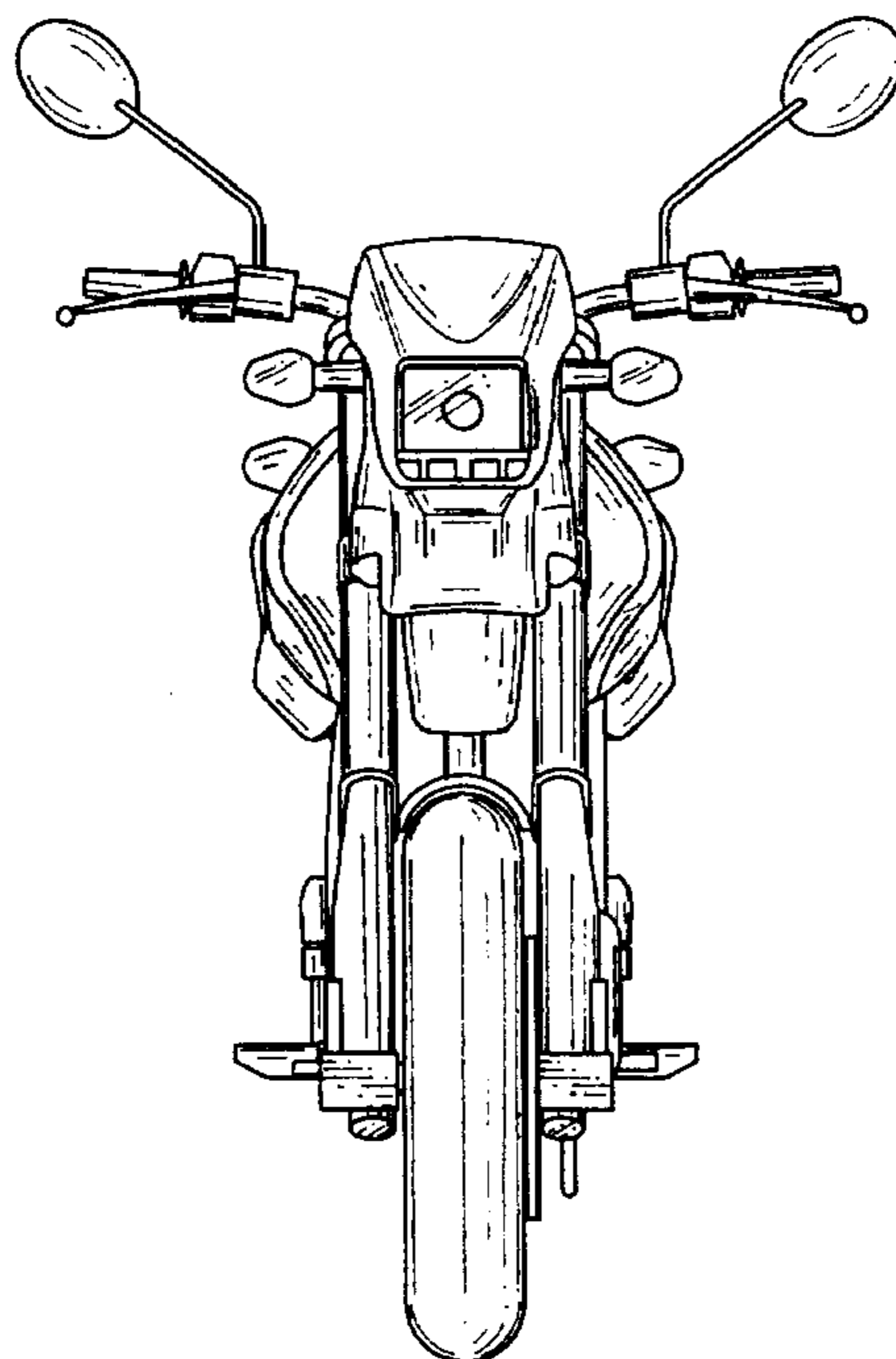
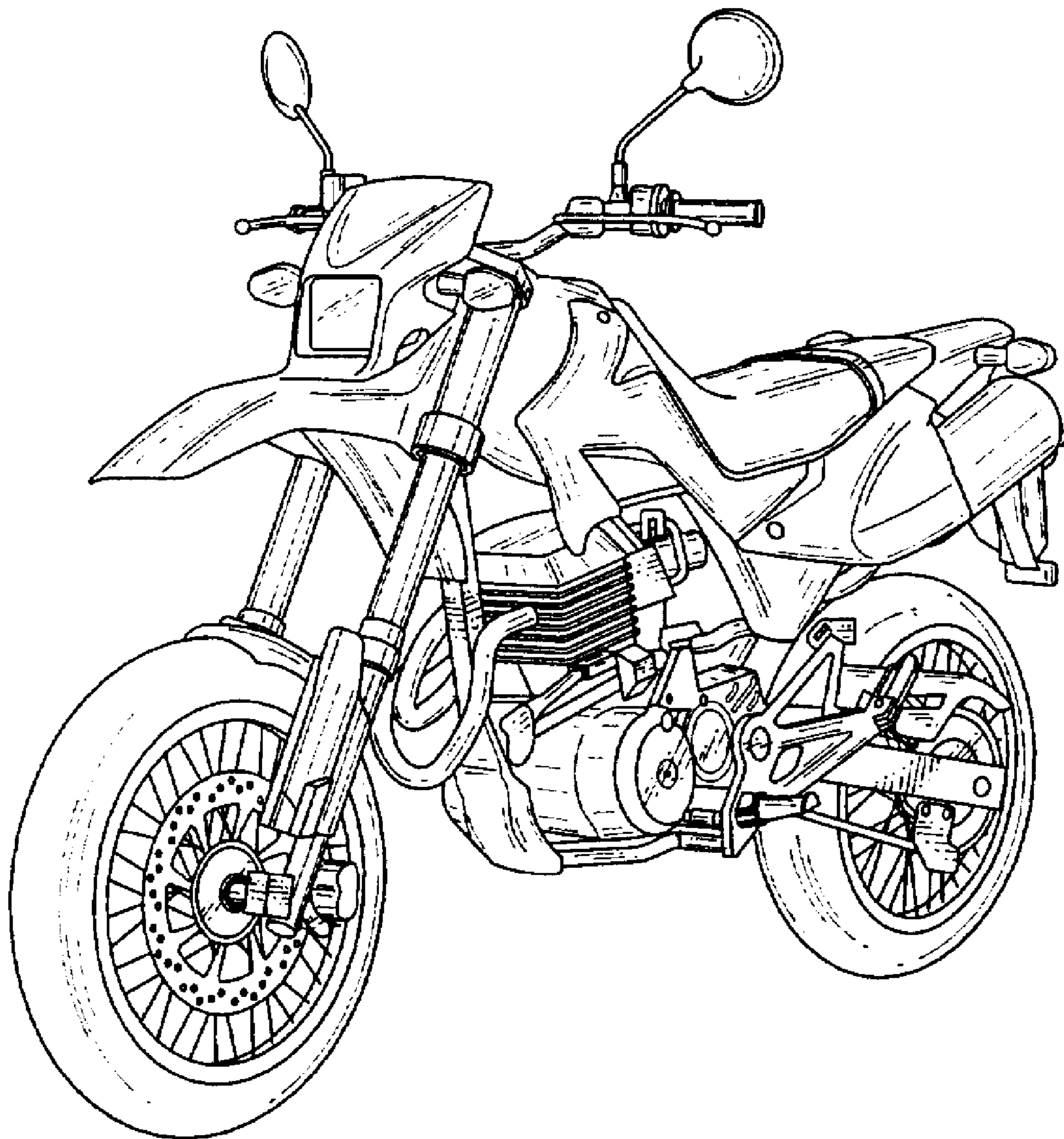


FIG. 6



F I G. 7

