



US00D517953S

(12) **United States Design Patent**
Mirsky

(10) **Patent No.:** **US D517,953 S**
(45) **Date of Patent:** **** Mar. 28, 2006**

(54) **MOTORCYCLE MAIN FRAME**

(76) Inventor: **Lyle Mirsky**, 2010 Equestrian La.,
Tyler, TX (US) 75703

(**) Term: **14 Years**

(21) Appl. No.: **29/214,967**

(22) Filed: **Oct. 12, 2004**

(51) **LOC (8) Cl.** **12-11**

(52) **U.S. Cl.** **D12/110**

(58) **Field of Classification Search** D12/110,
D12/117; 180/219, 311, 312
See application file for complete search history.

(56) **References Cited**

U.S. PATENT DOCUMENTS

4,139,072 A * 2/1979 Dawson 180/312

* cited by examiner

Primary Examiner—Alan P. Douglas
Assistant Examiner—Linda Brooks

(74) *Attorney, Agent, or Firm*—Ronald B. Sefrna

(57) **CLAIM**

I claim the ornamental design for a motorcycle main frame,
as shown and described.

DESCRIPTION

FIG. 1 is a left side elevation view of the motorcycle main
frame of the invention, showing my new design.

FIG. 2 is a right side elevation view of the motorcycle main
frame of the invention.

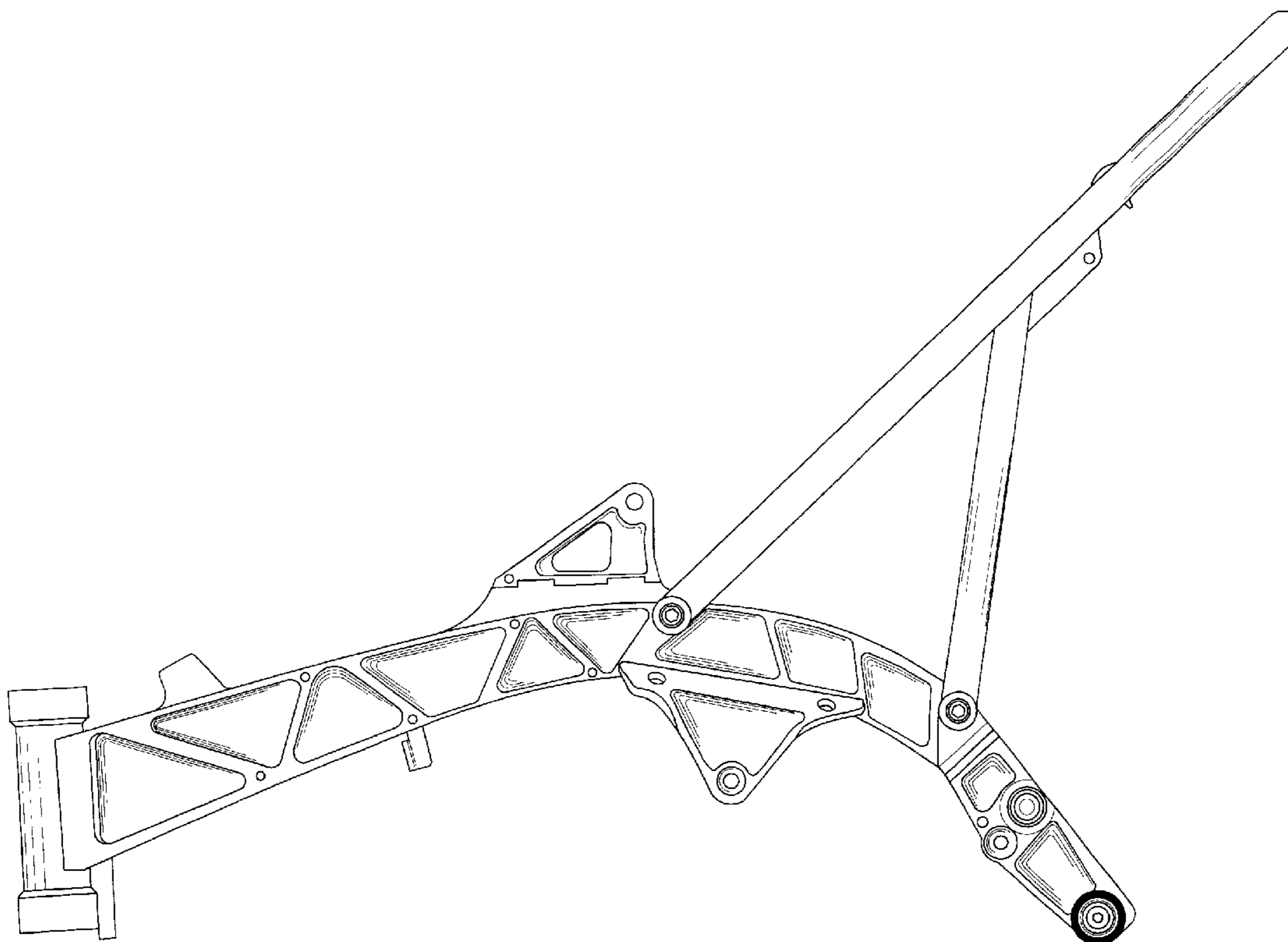
FIG. 3 is a front elevation view of the motorcycle main
frame of the invention.

FIG. 4 is a rear elevation view of the motorcycle main frame
of the invention.

FIG. 5 is a top plan view of the motorcycle main frame of
the invention; and,

FIG. 6 is a bottom plan view of the motorcycle main frame
of the invention.

1 Claim, 6 Drawing Sheets



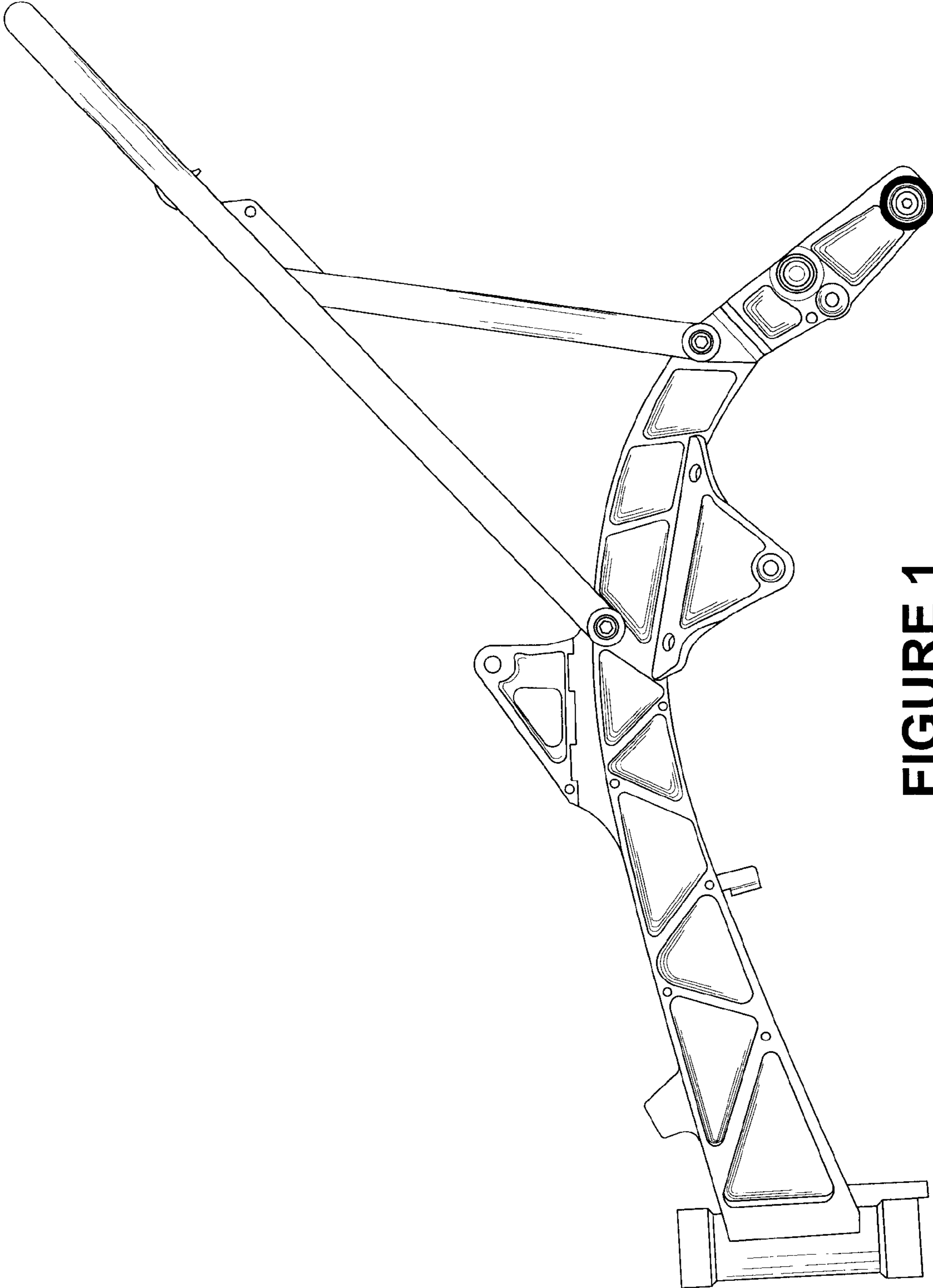


FIGURE 1

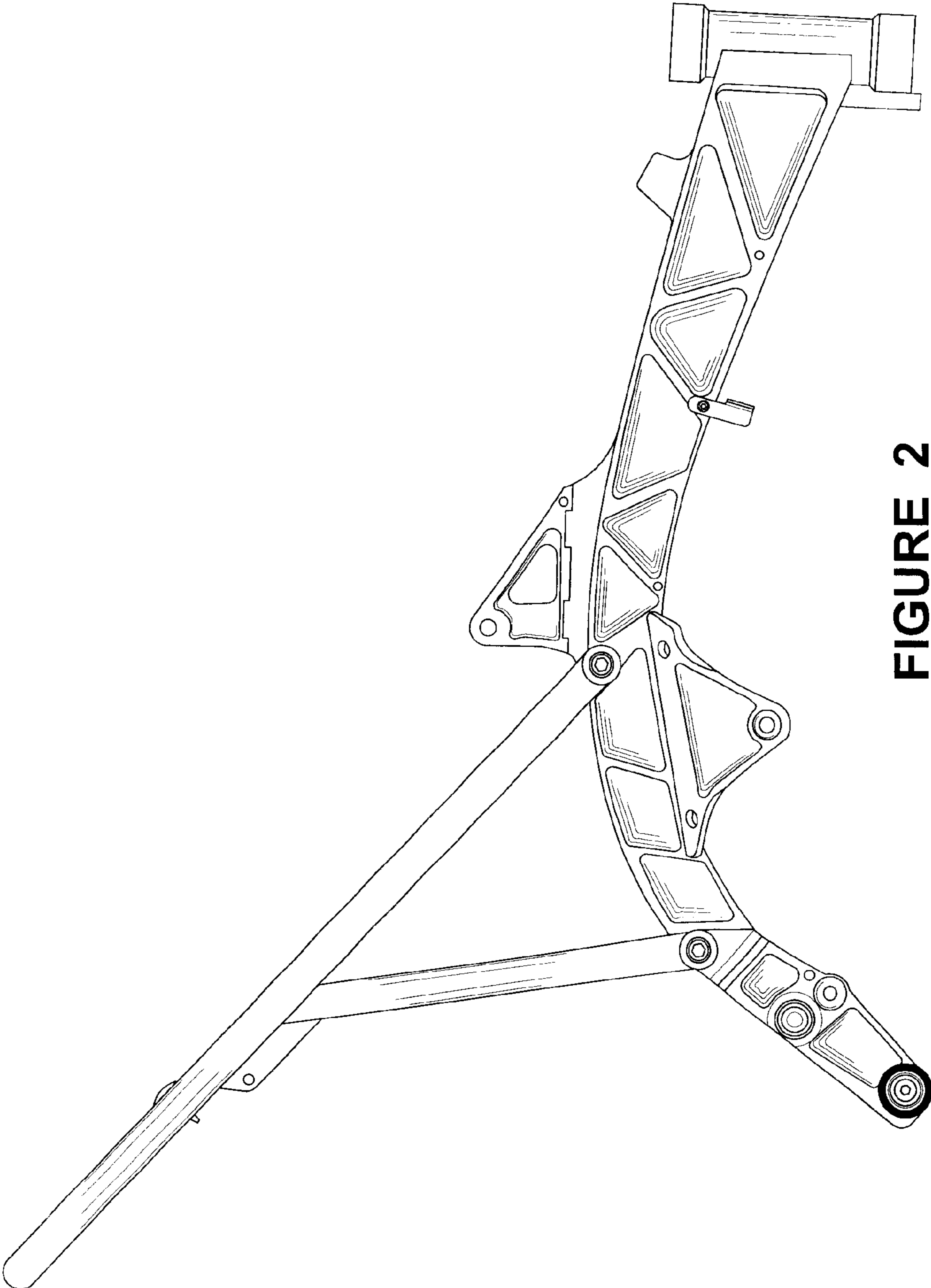


FIGURE 2

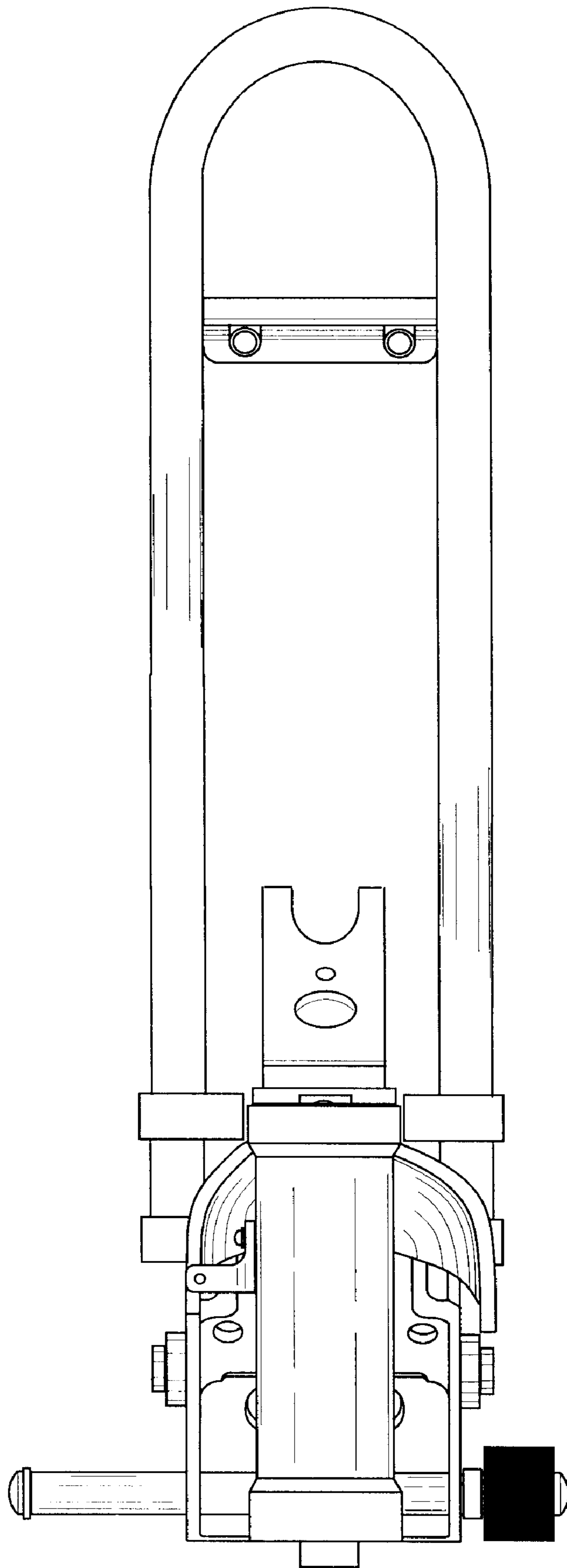


FIGURE 3

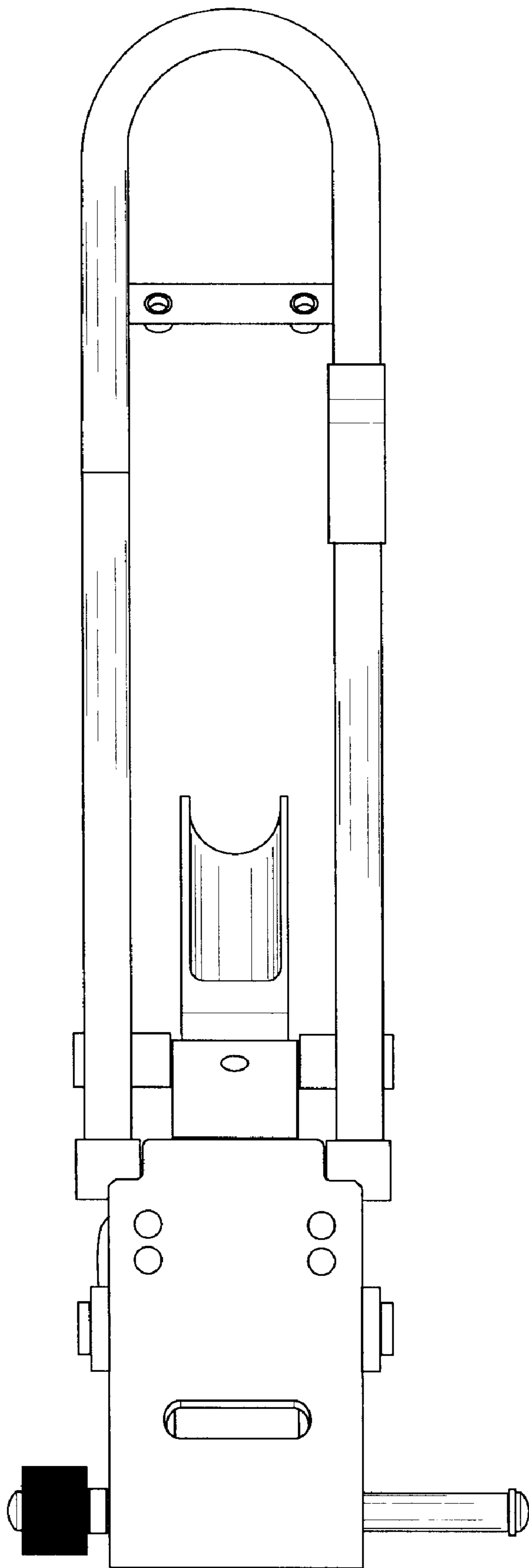


FIGURE 4

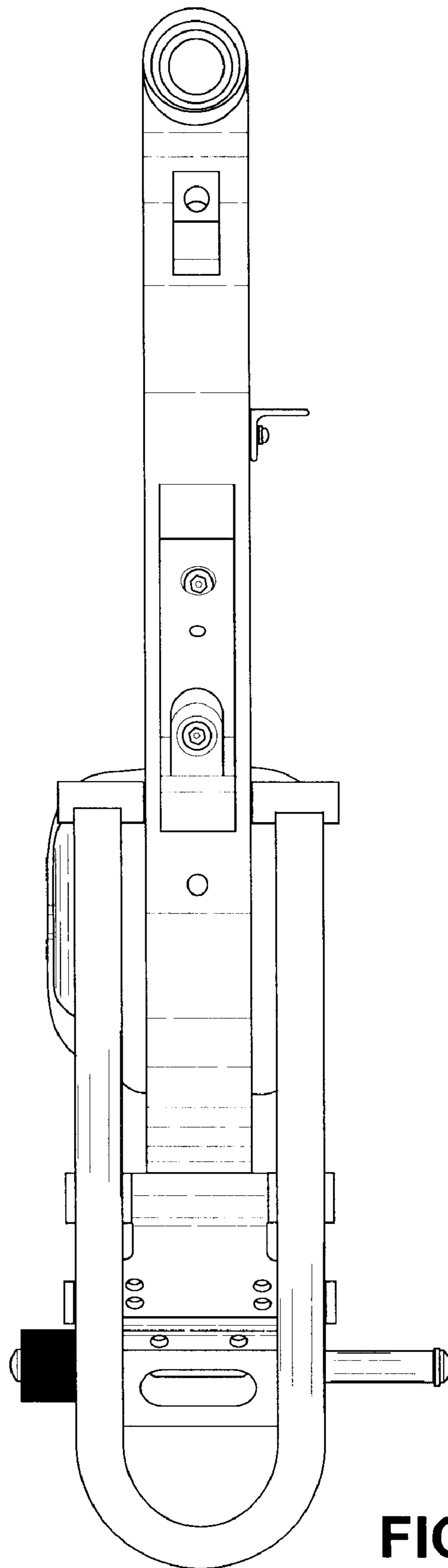


FIGURE 5

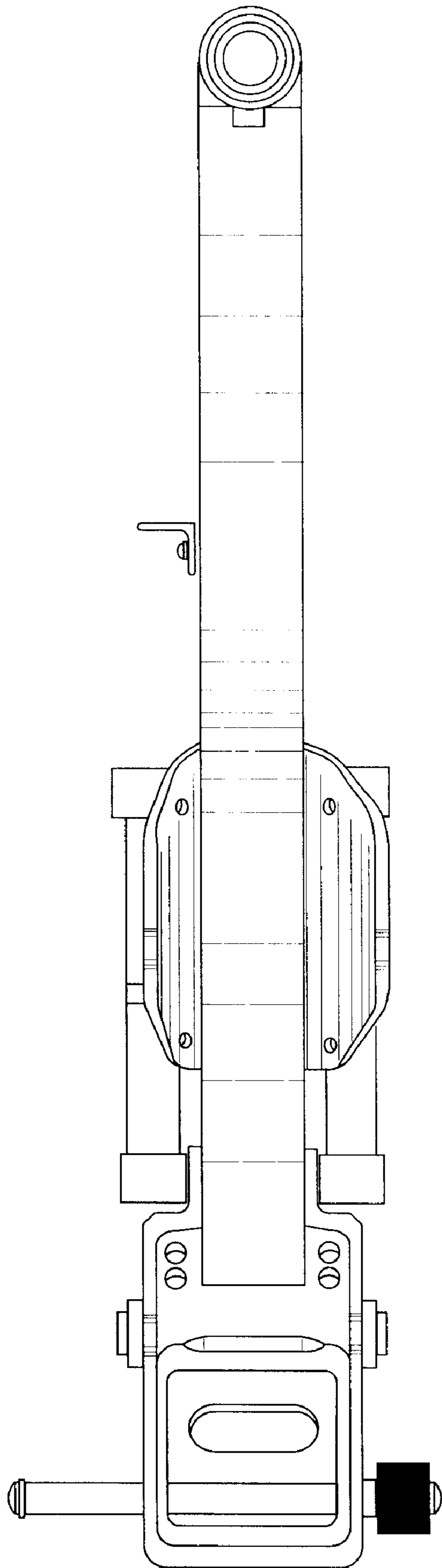


FIGURE 6