



US00D517942S

(12) **United States Design Patent**
Stern

(10) **Patent No.:** **US D517,942 S**

(45) **Date of Patent:** **** Mar. 28, 2006**

(54) **FASHION JEWELRY EYEGGLASS CLASP**

(76) **Inventor:** **Rebecca Sharp Stern**, Ticchiena di
Sopra, Anghiari AR (IT), 52031

(**) **Term:** **14 Years**

(21) **Appl. No.:** **29/228,945**

(22) **Filed:** **Apr. 29, 2005**

(51) **LOC (8) Cl.** **11-01**

(52) **U.S. Cl.** **D11/86**

(58) **Field of Classification Search** D11/1-2,
D11/7, 40-44, 46-49, 53, 56-57, 59-61,
D11/63, 65, 79-83, 86-87, 89, 90, 99-101,
D11/106, 114-116, 200-201; 224/604; 63/1.11,
63/18-20; D16/330, 339, 341; D3/207-211;
24/3.3

See application file for complete search history.

(56) **References Cited**

U.S. PATENT DOCUMENTS

- 865,531 A * 9/1907 Robinson 24/115 R
- D140,109 S * 1/1945 Pierce D11/2
- 3,364,500 A * 1/1968 Fox 2/150
- D251,478 S * 4/1979 Boden D8/383
- D297,304 S * 8/1988 Ito et al. D8/383
- D309,619 S * 7/1990 Kalbach D16/339
- D310,166 S * 8/1990 Fildan D8/383
- D354,759 S * 1/1995 Wolff D16/339
- D354,760 S * 1/1995 Wolff D16/339
- D367,222 S * 2/1996 Ikeda D8/383
- D371,154 S * 6/1996 Kalbach D16/339
- 6,070,303 A * 6/2000 Macy et al. 24/3.3
- D435,265 S * 12/2000 Landis et al. D16/339

- 6,513,171 B1 * 2/2003 Soper 2/436
- D473,456 S * 4/2003 Rodriguez, Jr. D8/395
- D486,174 S * 2/2004 Chisolm D16/339
- 6,764,177 B1 * 7/2004 Chisolm 351/157

* cited by examiner

Primary Examiner—Ralf Seifert

(74) *Attorney, Agent, or Firm*—Charles E. Graves

(57) **CLAIM**

The ornamental design for a fashion jewelry eyeglass clasp,
as shown and described.

DESCRIPTION

The article is a 2-piece necklace clasp serving equally as a decorative fashion jewelry piece. The article mounts on the two sides of a necklace looped around the user's neck. The article can slide or be fixed in position along the two necklace sides to present various stylistic impressions as an item of jewelry. As an eyeglass clasp, the article is positioned to form a tight loop at the pendent point of the necklace, for securely holding a temple piece of an eyeglass frame.

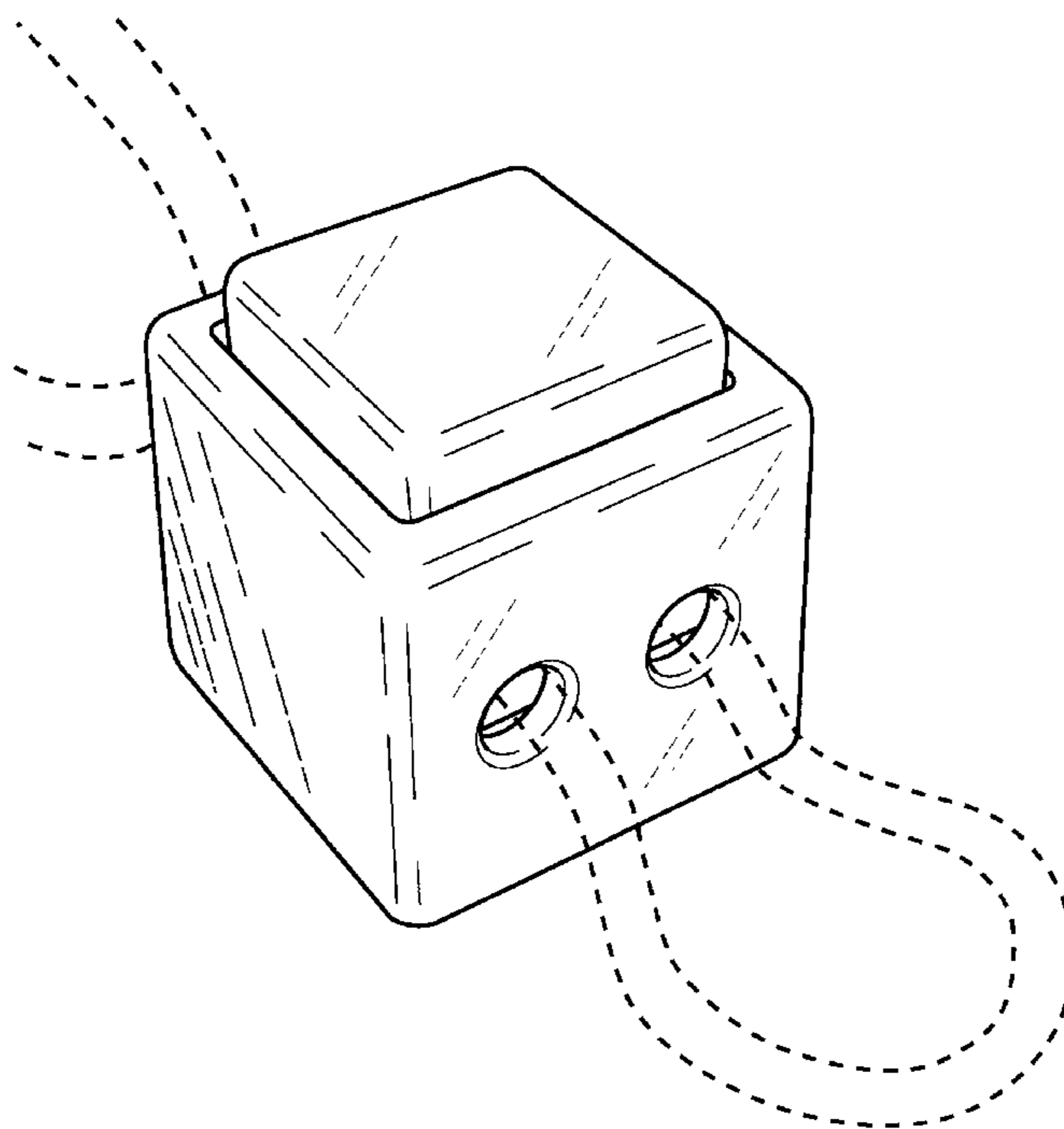
FIG. 1 is a perspective view of a fashion jewelry eyeglass clasp showing my new design, the opposite side view being identical;

FIG. 2 is a front elevational view; and,

FIG. 3 is a side elevational view, the opposite side be identical.

It being understood that the broken line showing of a necklace in FIG. 1 is for illustrative purposes only and forms no part of the claimed design.

1 Claim, 2 Drawing Sheets



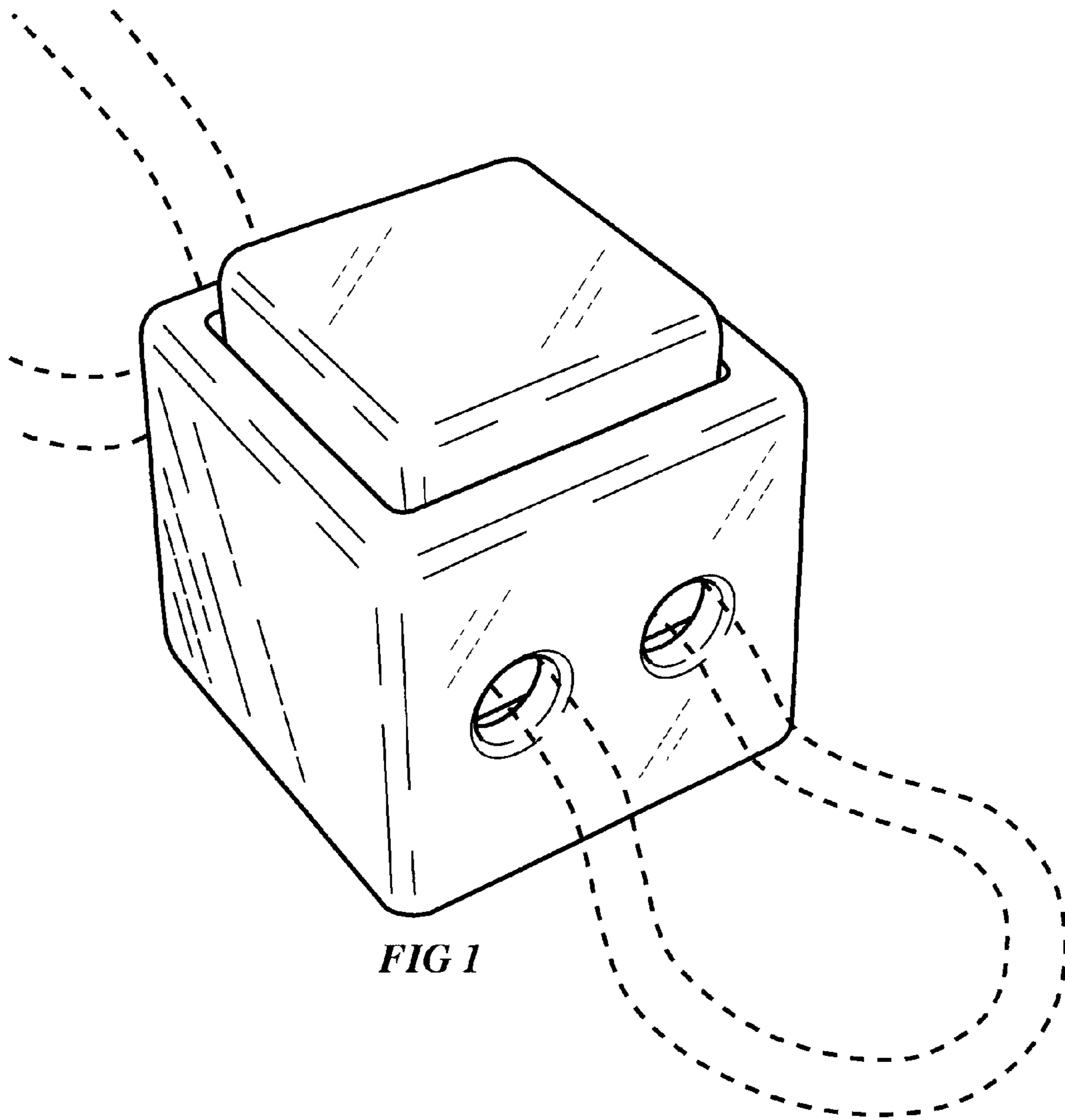


FIG 1

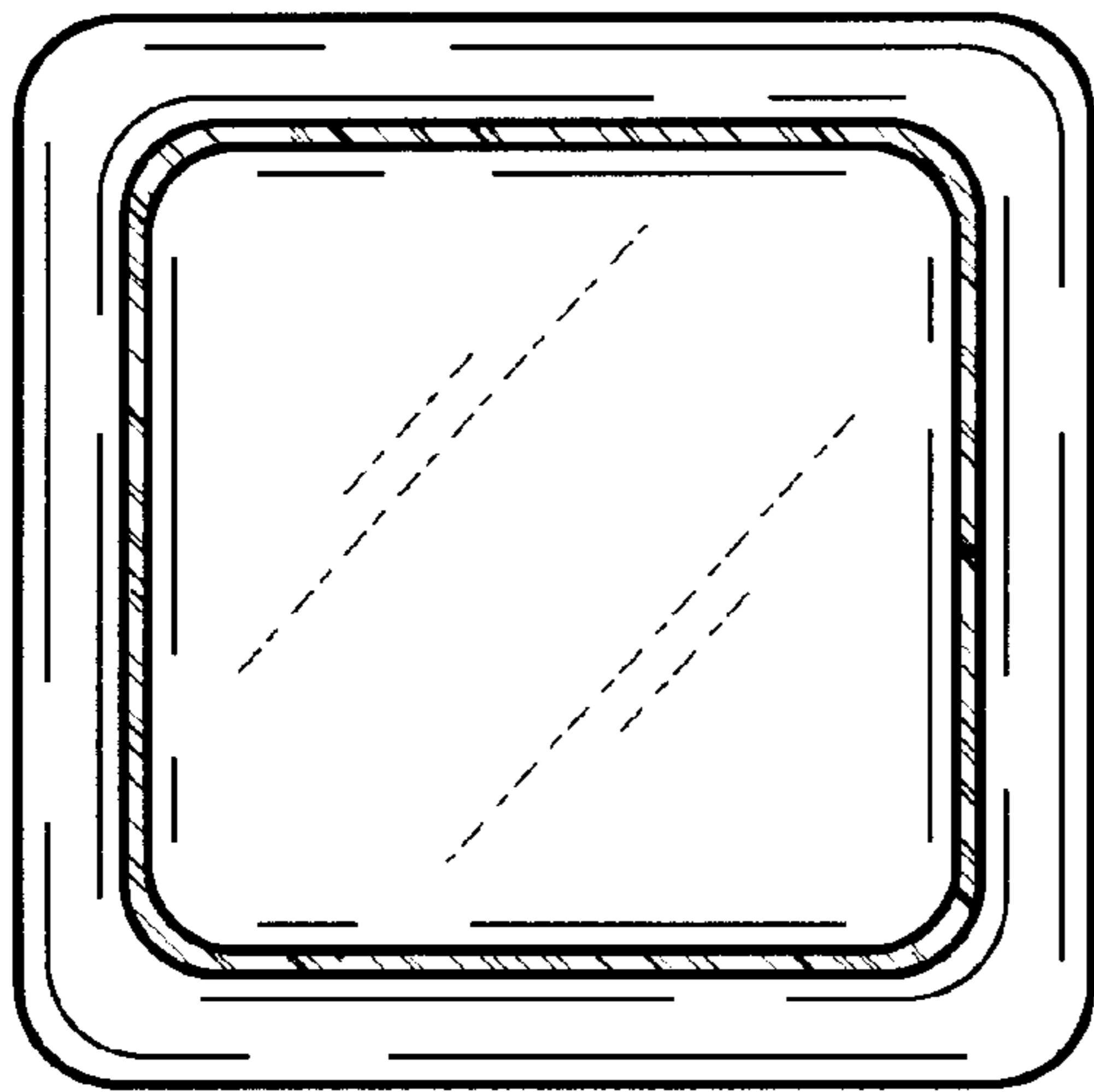


FIG 2

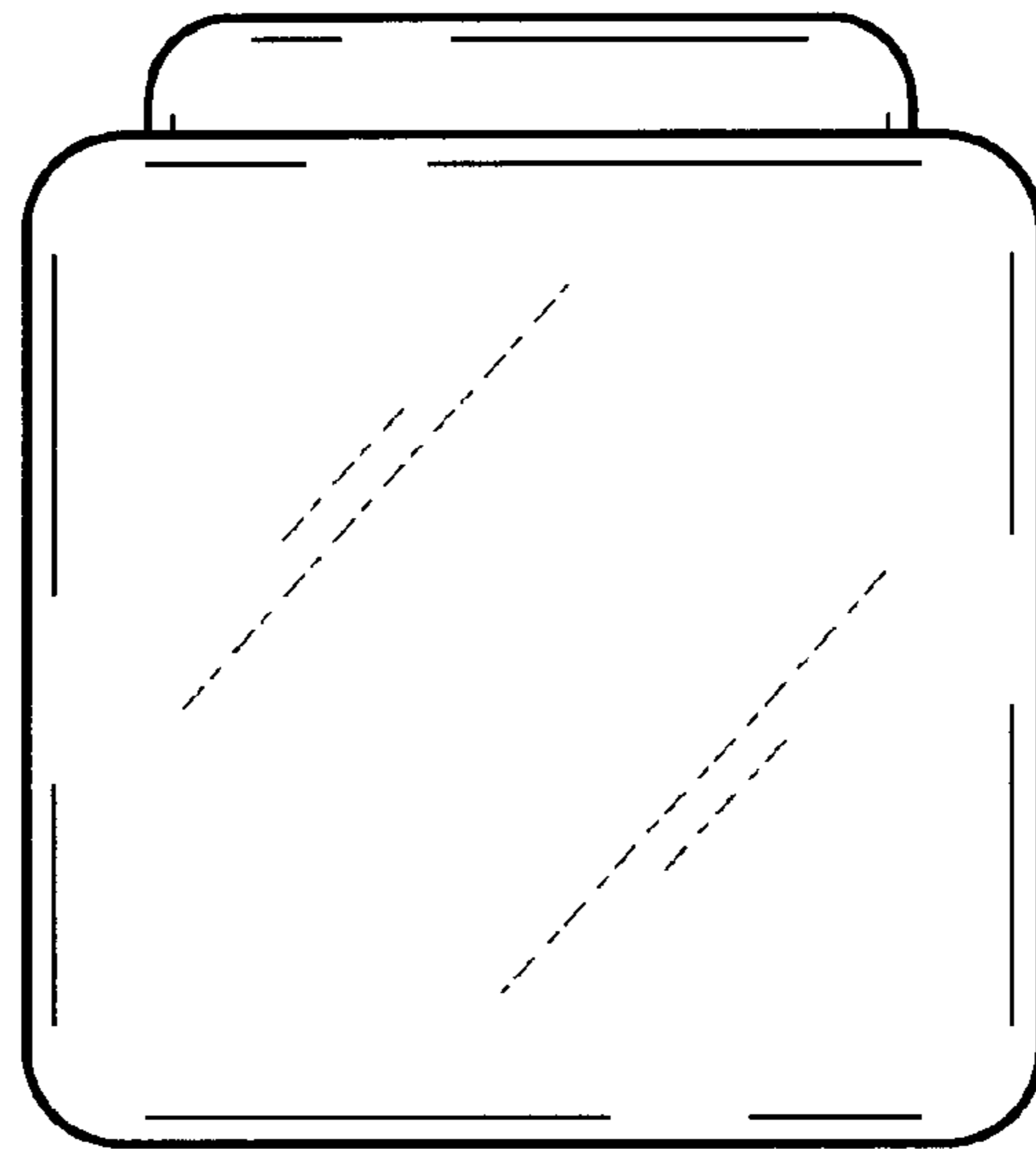


FIG 3