



US00D517941S

(12) **United States Design Patent**  
**Stern**

(10) **Patent No.:** **US D517,941 S**  
(45) **Date of Patent:** **\*\* Mar. 28, 2006**

(54) **FASHION JEWELRY EYEGLASS CLASP**

(76) Inventor: **Rebecca Sharp Stern**, Ticchiena di  
Sopra, Anghiari AR (IT), 52031

(\*\*) Term: **14 Years**

(21) Appl. No.: **29/228,944**

(22) Filed: **Apr. 29, 2005**

(51) **LOC (8) Cl.** ..... **11-01**

(52) **U.S. Cl.** ..... **D11/86**

(58) **Field of Classification Search** ..... D11/1-2,  
D11/7, 40-44, 46-49, 53, 56-57, 59-61,  
D11/63, 65, 79-83, 86-87, 89, 90, 99-101,  
D11/106, 114-116, 200-201; 63/1.11, 18-20;  
D3/207-211

See application file for complete search history.

(56) **References Cited**

U.S. PATENT DOCUMENTS

865,531	A	*	9/1907	Robinson	.....	24/115	R
D140,109	S	*	1/1945	Pierce	.....	D11/2	
3,364,500	A	*	1/1968	Fox	.....	2/150	
D251,478	S	*	4/1979	Boden	.....	D8/383	
D297,304	S	*	8/1988	Ito et al.	.....	D8/383	
D309,619	S	*	7/1990	Kalbach	.....	D16/339	
D310,166	S	*	8/1990	Fildan	.....	D8/383	
D354,759	S	*	1/1995	Wolff	.....	D16/339	
D354,760	S	*	1/1995	Wolff	.....	D16/339	
D367,222	S	*	2/1996	Ikeda	.....	D8/383	
D371,154	S	*	6/1996	Kalbach	.....	D16/339	
6,070,303	A	*	6/2000	Macy et al.	.....	24/3.3	
D435,265	S	*	12/2000	Landis et al.	.....	D16/339	

6,513,171	B1	*	2/2003	Soper	.....	2/436	
D473,456	S	*	4/2003	Rodriguez, Jr.	.....	D8/395	
D486,174	S	*	2/2004	Chisolm	.....	D16/339	
6,764,177	B1	*	7/2004	Chisolm	.....	351/157	

\* cited by examiner

*Primary Examiner*—Ralf Seifert

(74) *Attorney, Agent, or Firm*—Charles E. Graves

(57) **CLAIM**

The ornamental design for a fashion jewelry eyeglass clasp, as shown and described.

**DESCRIPTION**

The article is a 2-piece necklace clasp serving equally as a decorative fashion jewelry piece. The article mounts on the two sides of a necklace looped around the user's neck. The article can slide or be fixed in position along the two necklace sides to present various stylistic impressions as an item of jewelry. As an eyeglass clasp, the article is positioned to form a tight loop at the pendent point of the necklace, for securely holding a temple piece of an eyeglass frame.

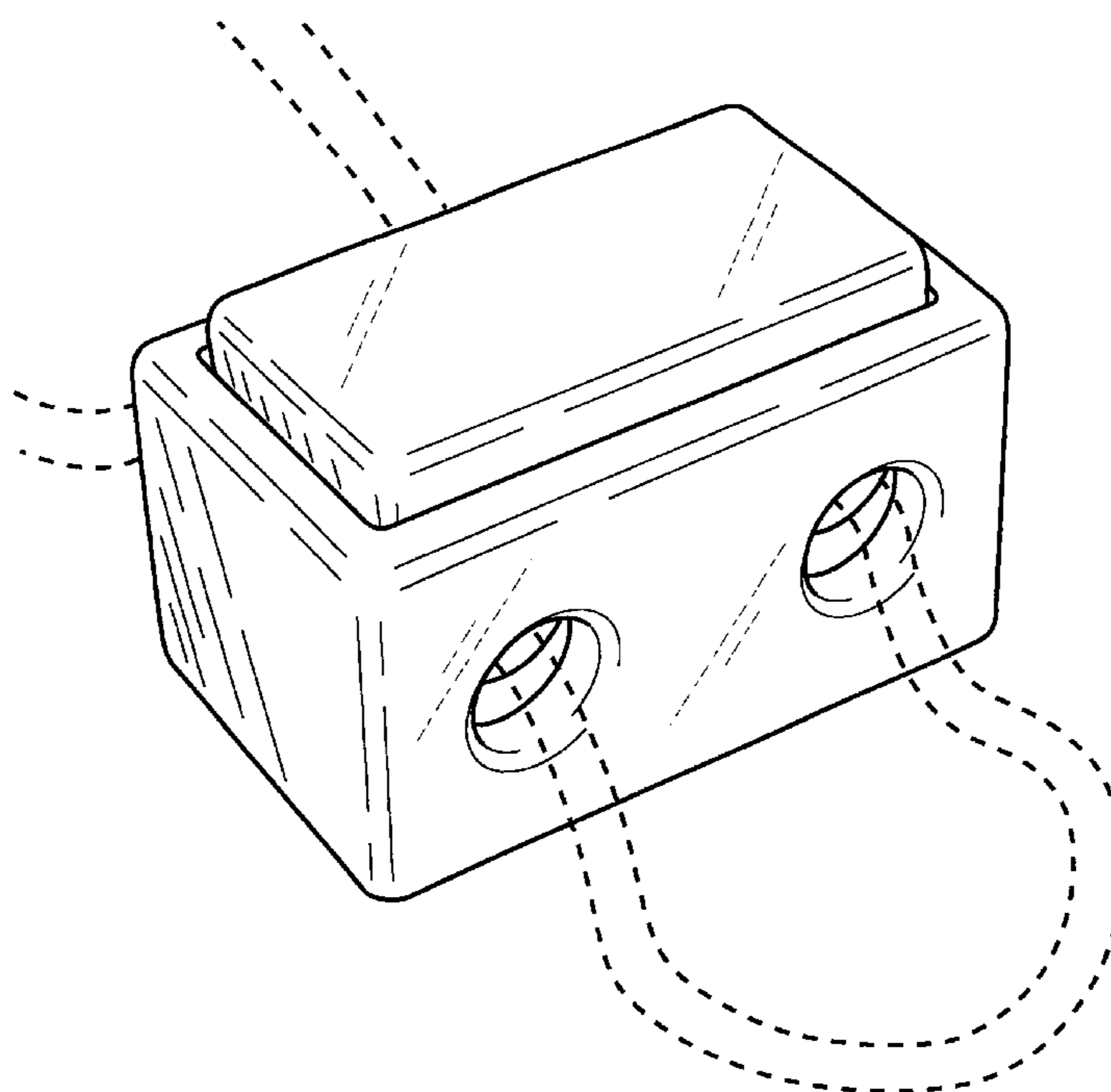
FIG. 1 is a perspective view of a fashion jewelry eyeglass clasp showing my new design, the opposite side view being identical;

FIG. 2 is a bottom plan view; and,

FIG. 3 is a top plan view.

It being understood that the broken line showing of a necklace in FIG. 1 is for illustrative purposes only and forms no part of the claimed design.

**1 Claim, 2 Drawing Sheets**



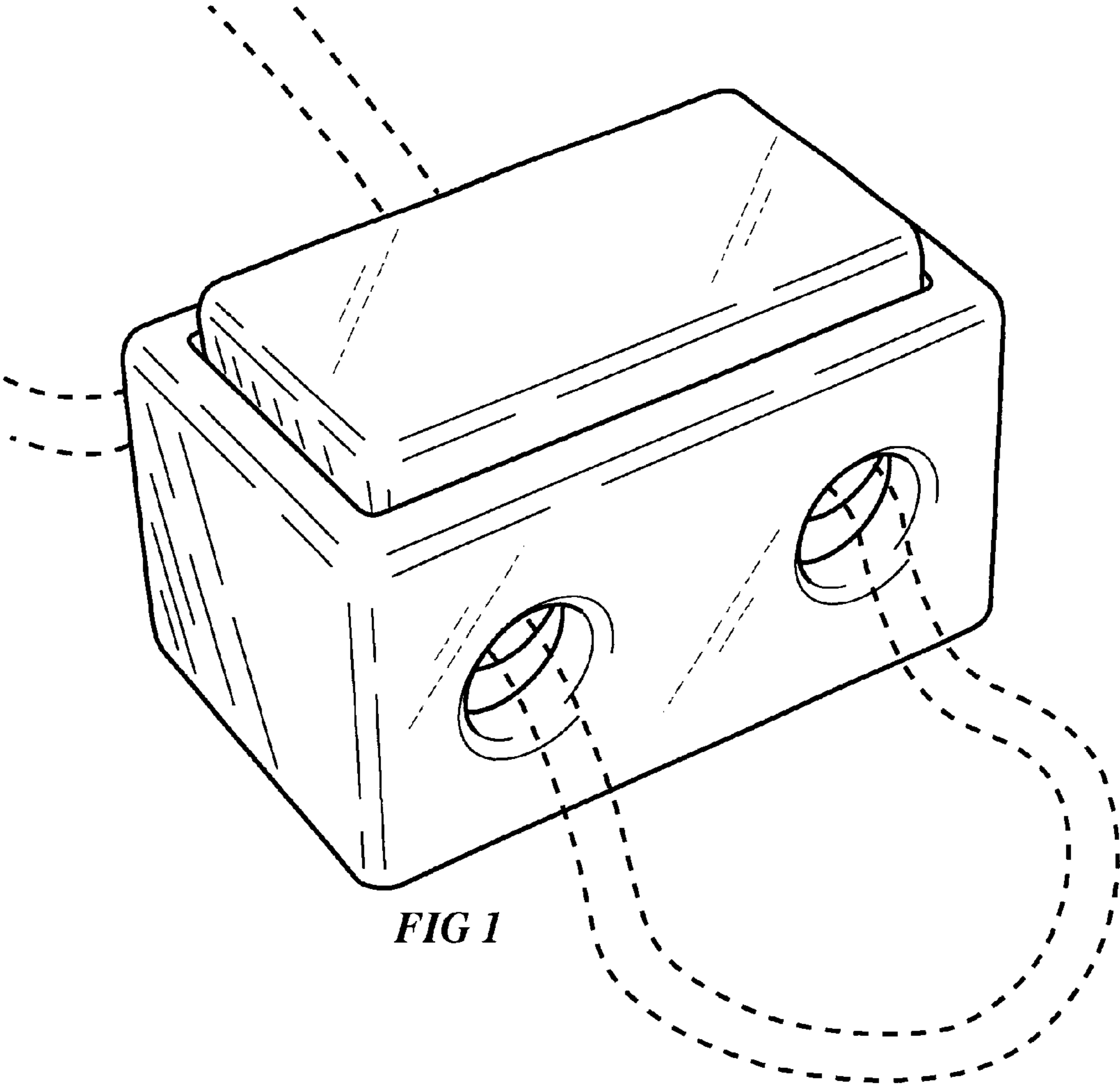
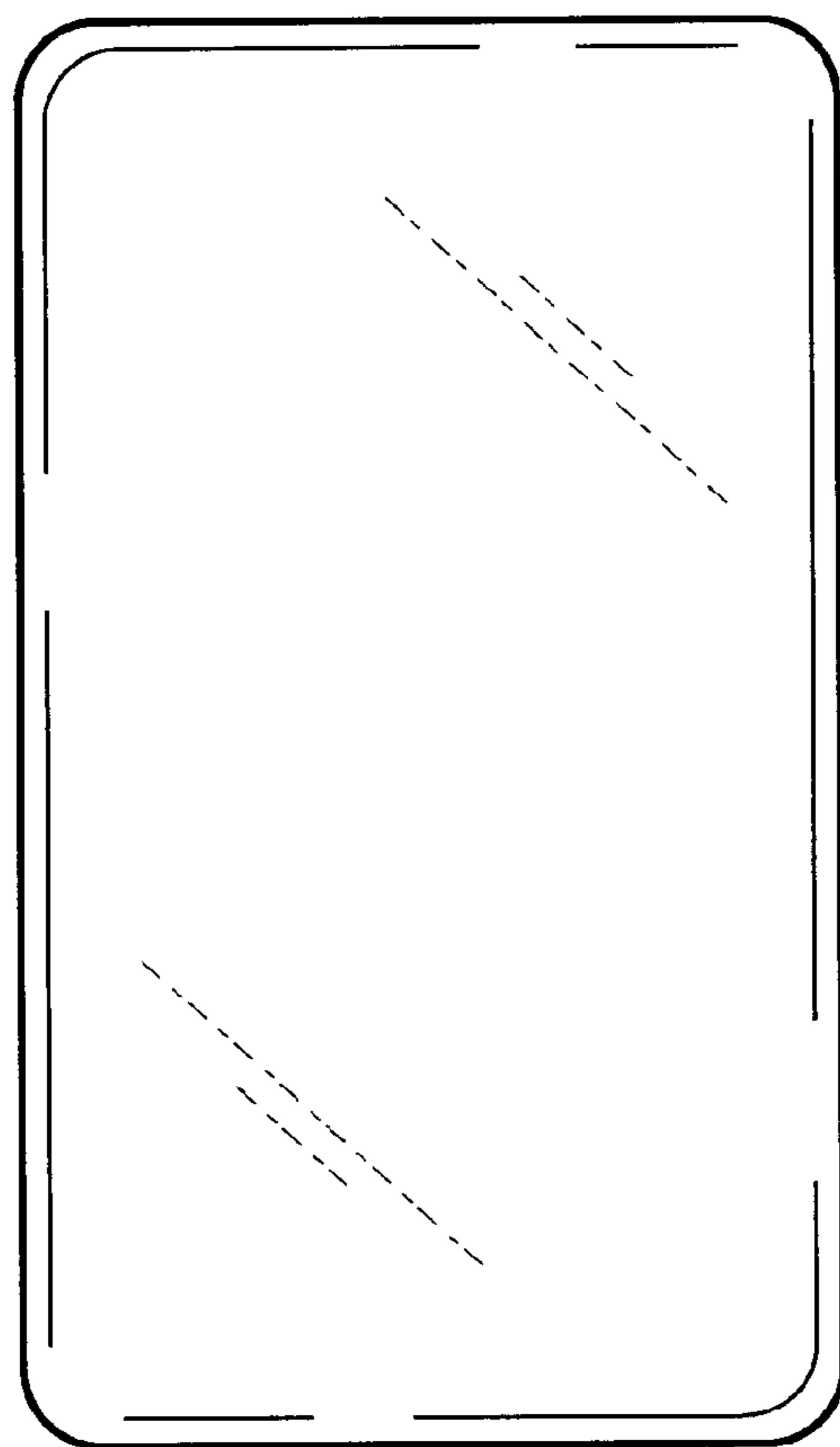
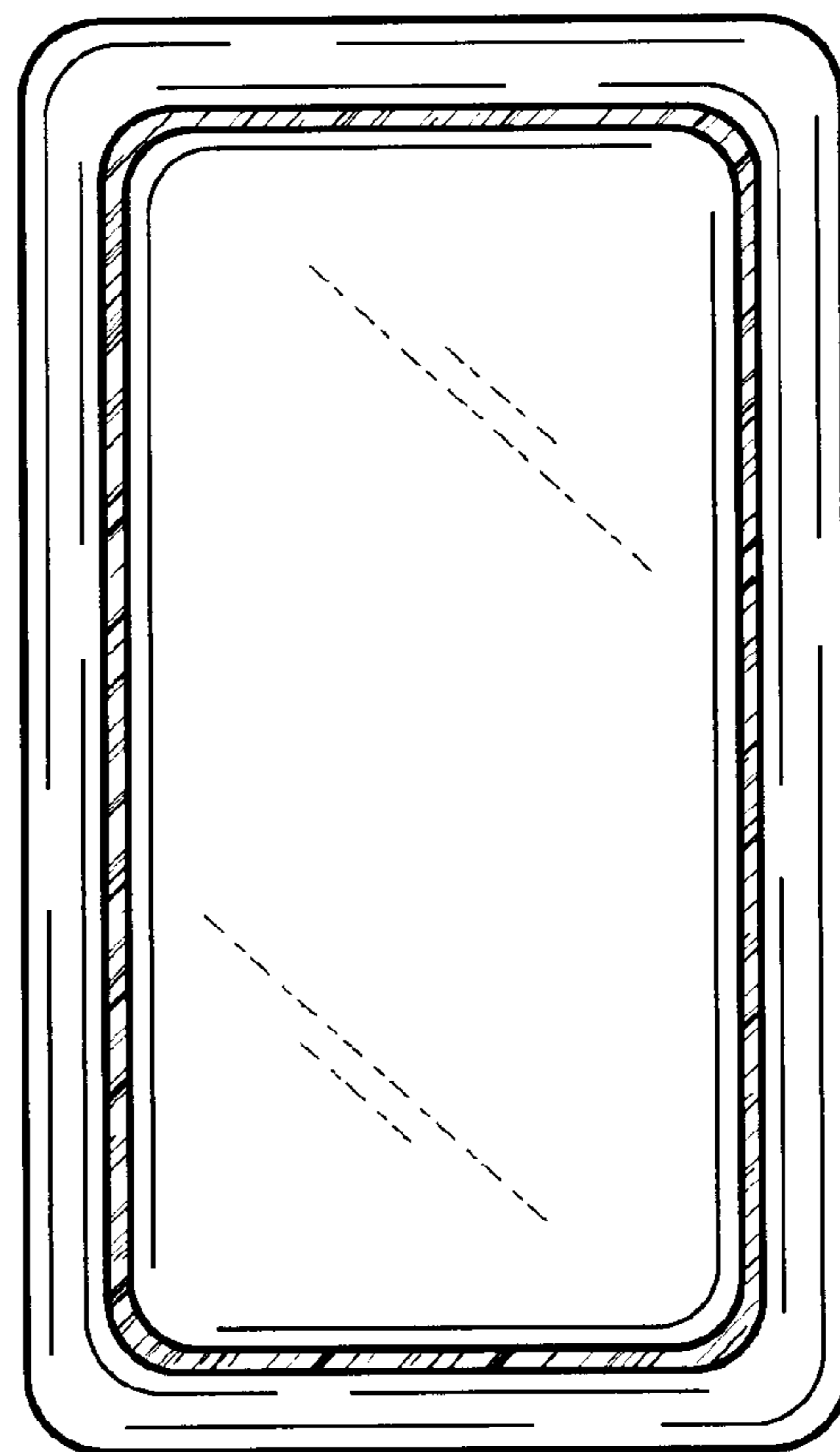


FIG 1



*FIG 2*



*FIG 3*