



US00D517938S

(12) **United States Design Patent** (10) **Patent No.:** **US D517,938 S**
Lawlor et al. (45) **Date of Patent:** **** *Mar. 28, 2006**

(54) **TEARDROP-SHAPED ORNAMENTATION**

(57) **CLAIM**

(76) Inventors: **Rebecca N. Lawlor**, 76 Bay Front Pl., Hampton, VA (US) 23664; **Harold S. Lawlor**, 76 Bay Front Pl., Hampton, VA (US) 23664

The ornamental design for a teardrop-shaped ornamentation, as shown and described.

(*) Notice: This patent is subject to a terminal disclaimer.

DESCRIPTION

(**) Term: **14 Years**

FIG. 1 is a front perspective view of a teardrop ornamentation showing a first exemplary embodiment of my new design;

(21) Appl. No.: **29/208,275**

FIG. 2 is a front elevational view of the first exemplary embodiment of my new design of a teardrop ornamentation;

(22) Filed: **Jun. 25, 2004**

FIG. 3 is a rear elevational view of the first exemplary embodiment of my new design of a teardrop ornamentation;

(51) **LOC (8) Cl.** **11-01**

FIG. 4 is a right side view of the first exemplary embodiment of my new design of a teardrop ornamentation;

(52) **U.S. Cl.** **D11/79**

FIG. 5 is a left side view of the first exemplary embodiment of my new design of a teardrop ornamentation;

(58) **Field of Classification Search** D11/1-2, D11/7, 40-44, 46-49, 53, 56-57, 59-61, D11/63, 65, 79-83, 86-87, 89, 90, 99-101, D11/106, 114-116, 200-201; 63/1.11, 18-20; D3/207-211

FIG. 6 is a top plan view of the first exemplary embodiment of my new design of a teardrop ornamentation;

See application file for complete search history.

FIG. 7 is a bottom plan view of the first exemplary embodiment of my new design of a teardrop ornamentation;

(56) **References Cited**

U.S. PATENT DOCUMENTS

- D73,323 S * 8/1927 Kislinger D10/30
- D237,732 S * 11/1975 Roberts D11/79
- D326,248 S * 5/1992 Horita et al. D11/221
- D397,307 S * 8/1998 Shenhav D11/79
- D397,308 S * 8/1998 Shenhav D11/79
- D397,309 S * 8/1998 Shenhav D11/81
- D468,986 S * 1/2003 Kan D8/98
- D470,075 S * 2/2003 Carmel D11/65

FIG. 8 is a front perspective view of a teardrop ornamentation showing a second exemplary embodiment of my new design;

* cited by examiner

FIG. 9 is a front perspective view of a teardrop ornamentation showing a third exemplary embodiment of my new design;

Primary Examiner—Ralf Seifert

FIG. 10 is a front perspective view of a teardrop ornamentation showing a fourth exemplary embodiment of my new design;

(74) *Attorney, Agent, or Firm*—Bowman Green Hampton & Kelly, PLLC

FIG. 11 is a front perspective view of a teardrop ornamentation showing a fifth exemplary embodiment of my new design;

FIG. 12 is a front perspective view of a teardrop ornamentation showing a sixth exemplary embodiment of my new design; and,

FIG. 13 is a front perspective view of a teardrop ornamentation showing a seventh exemplary embodiment of my new design.

1 Claim, 5 Drawing Sheets

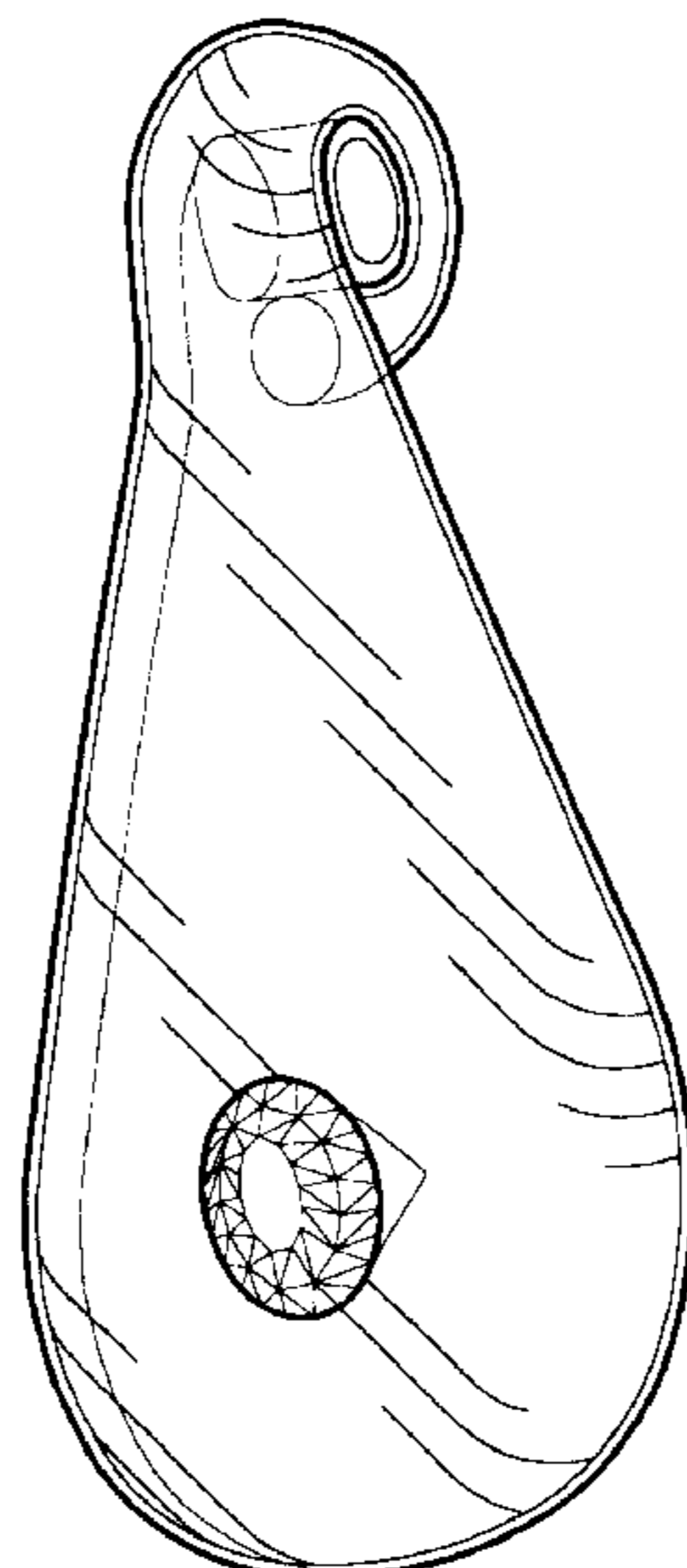


FIG. 1

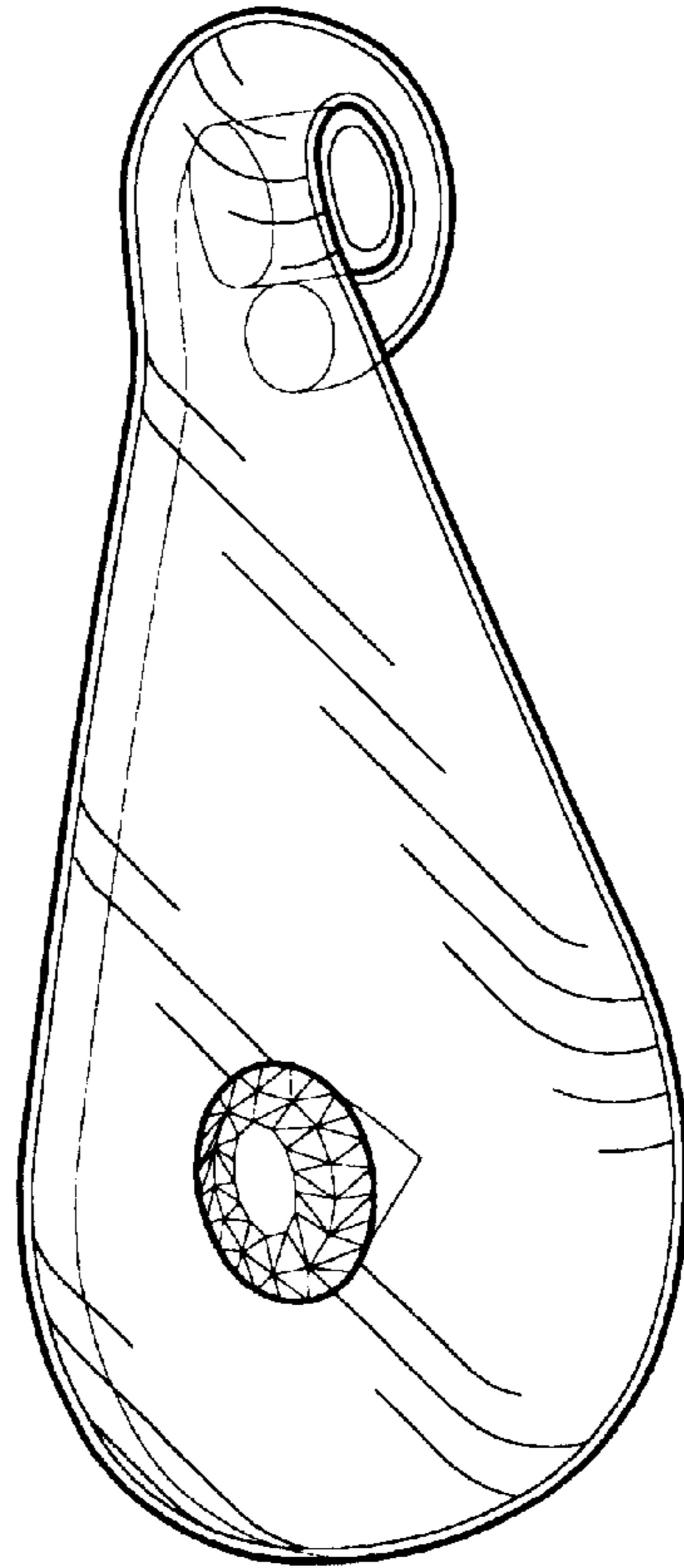


FIG. 6

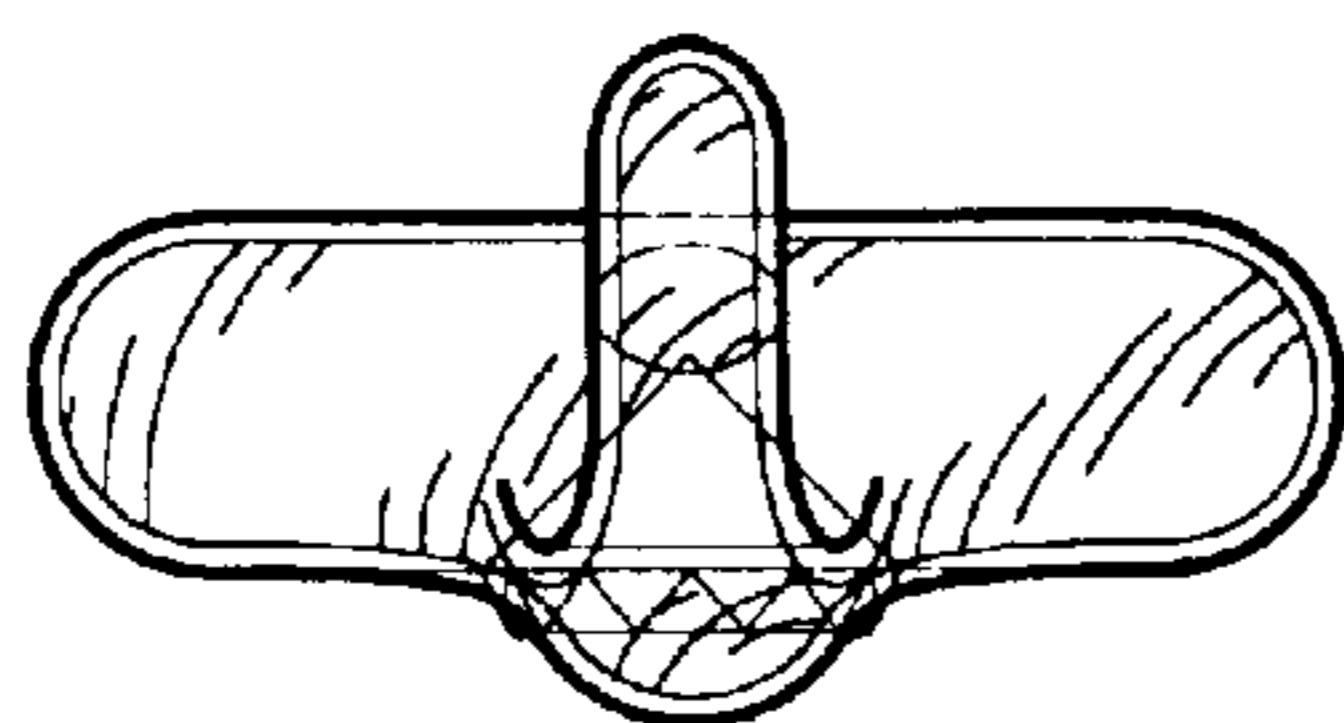


FIG. 7

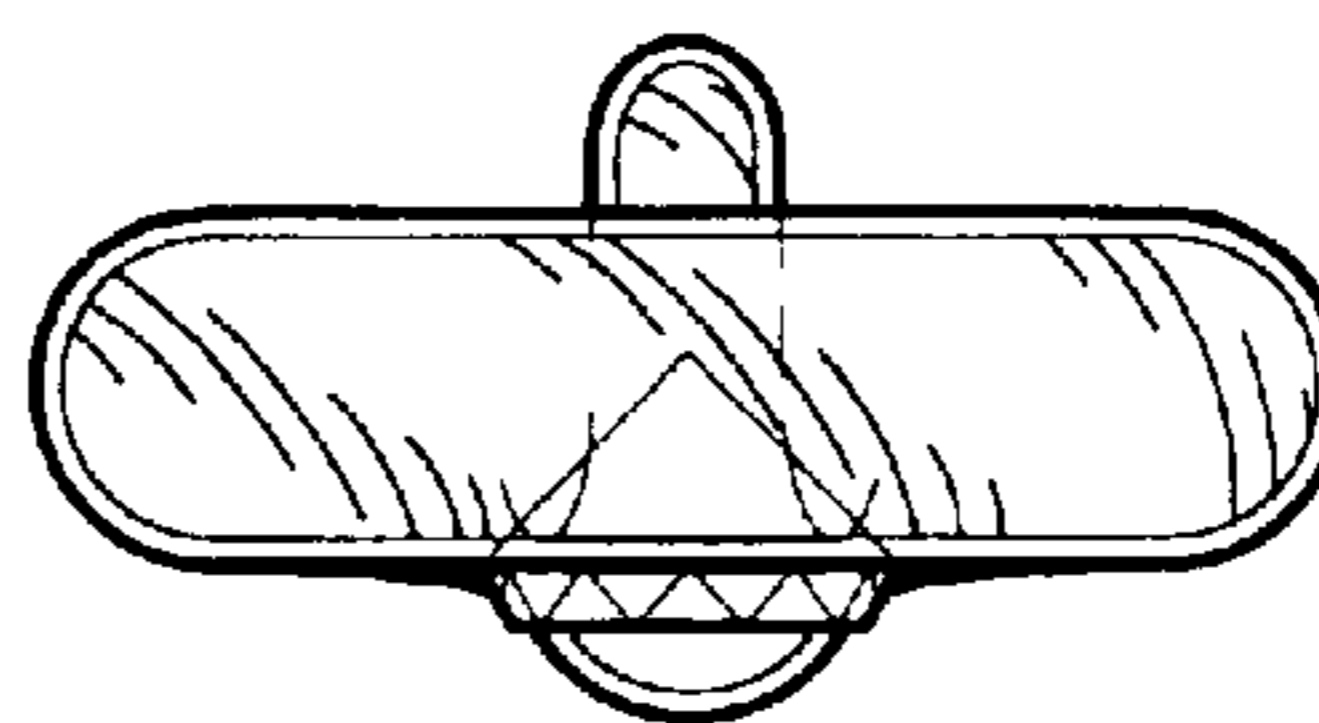


FIG.2

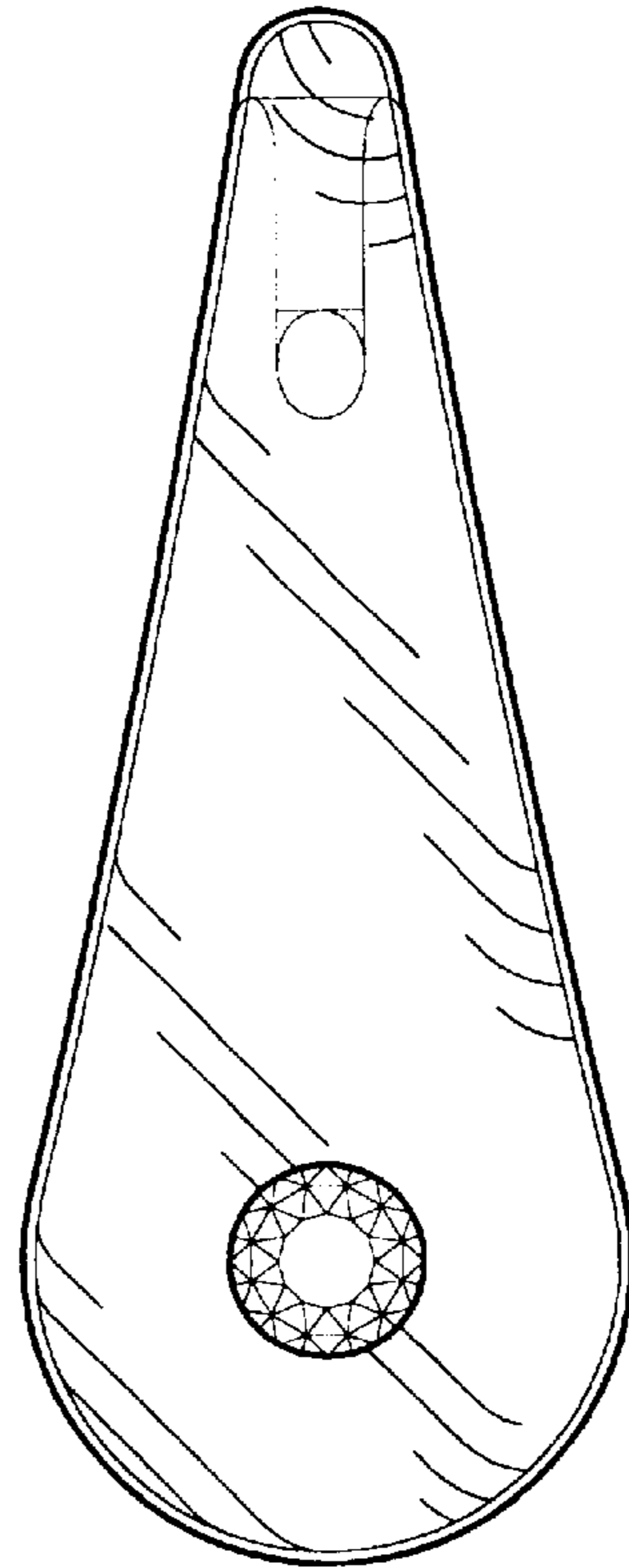


FIG.3

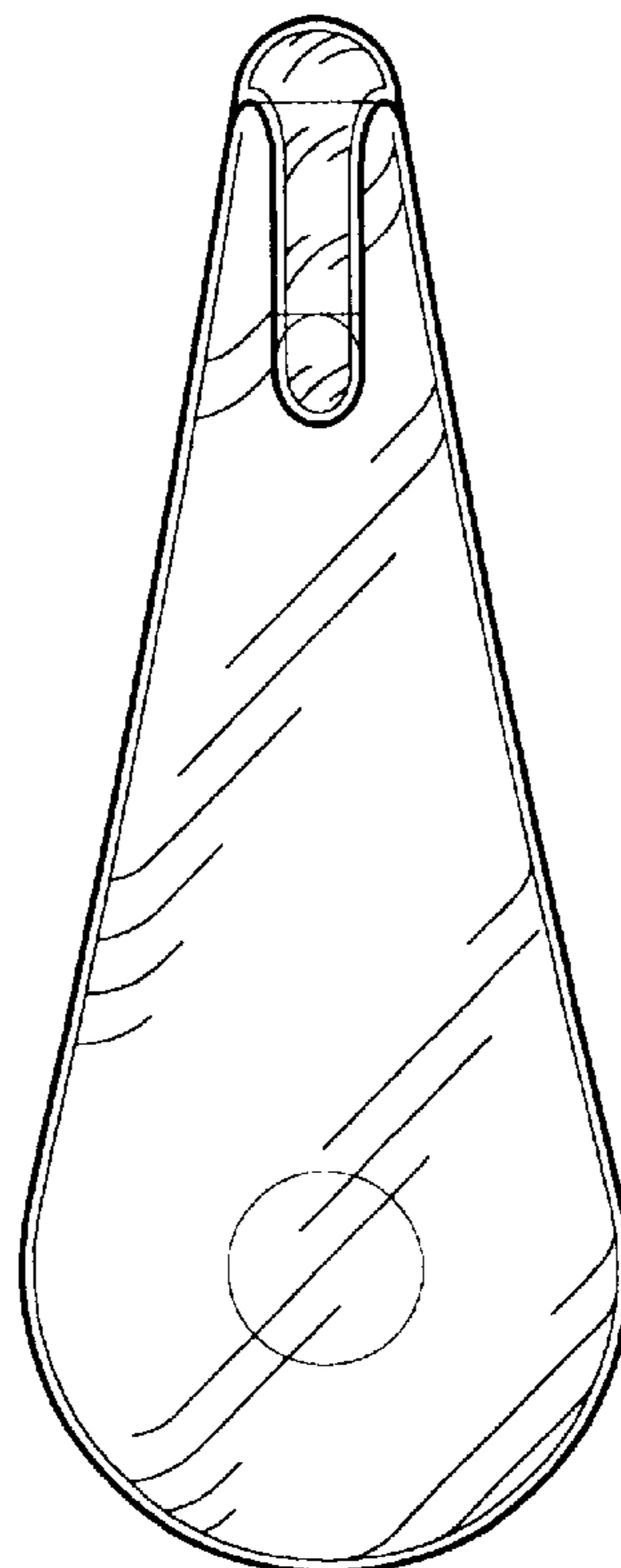


FIG.4

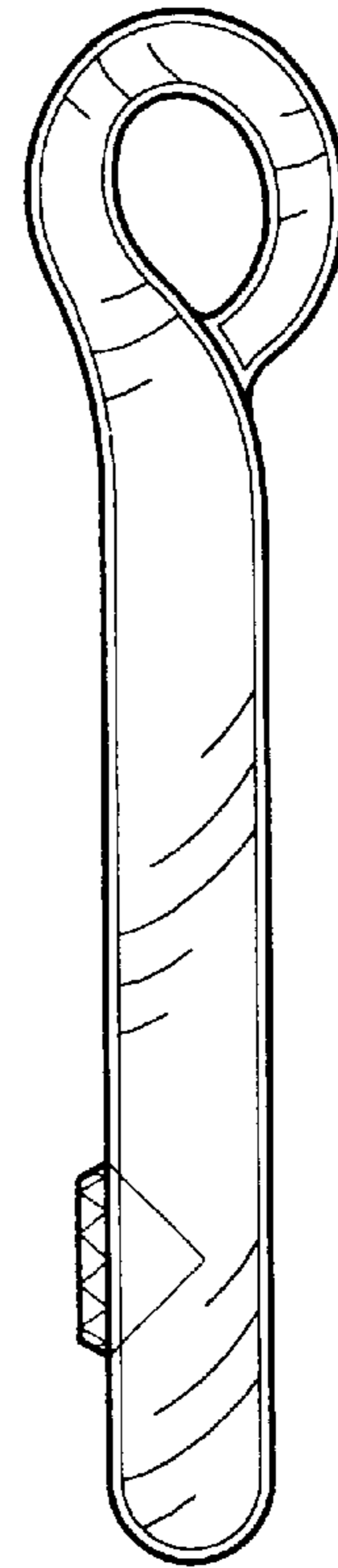


FIG.5

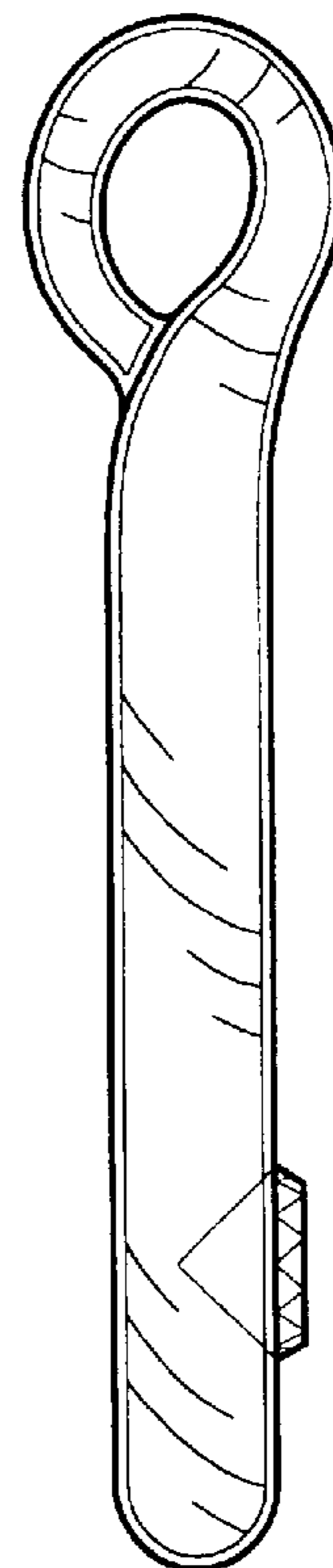


FIG.8

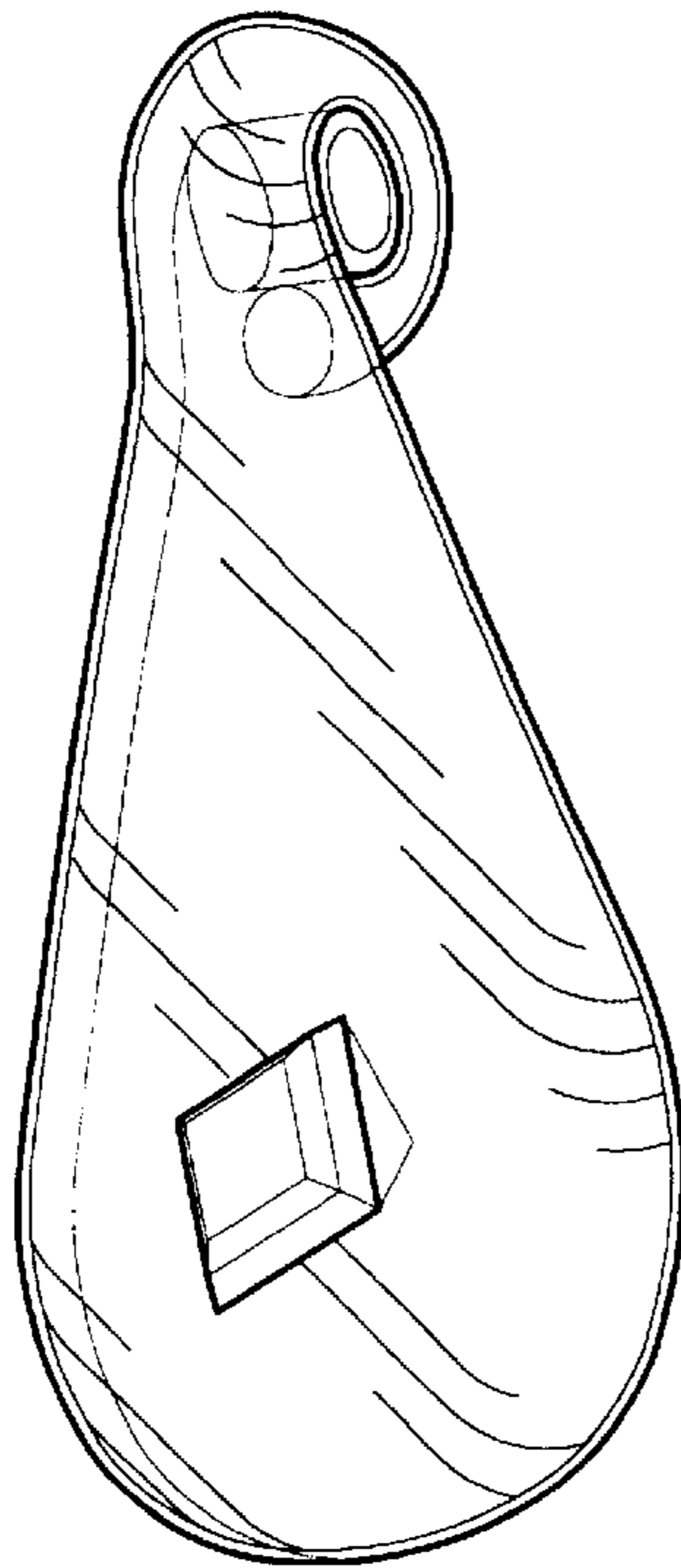


FIG.9

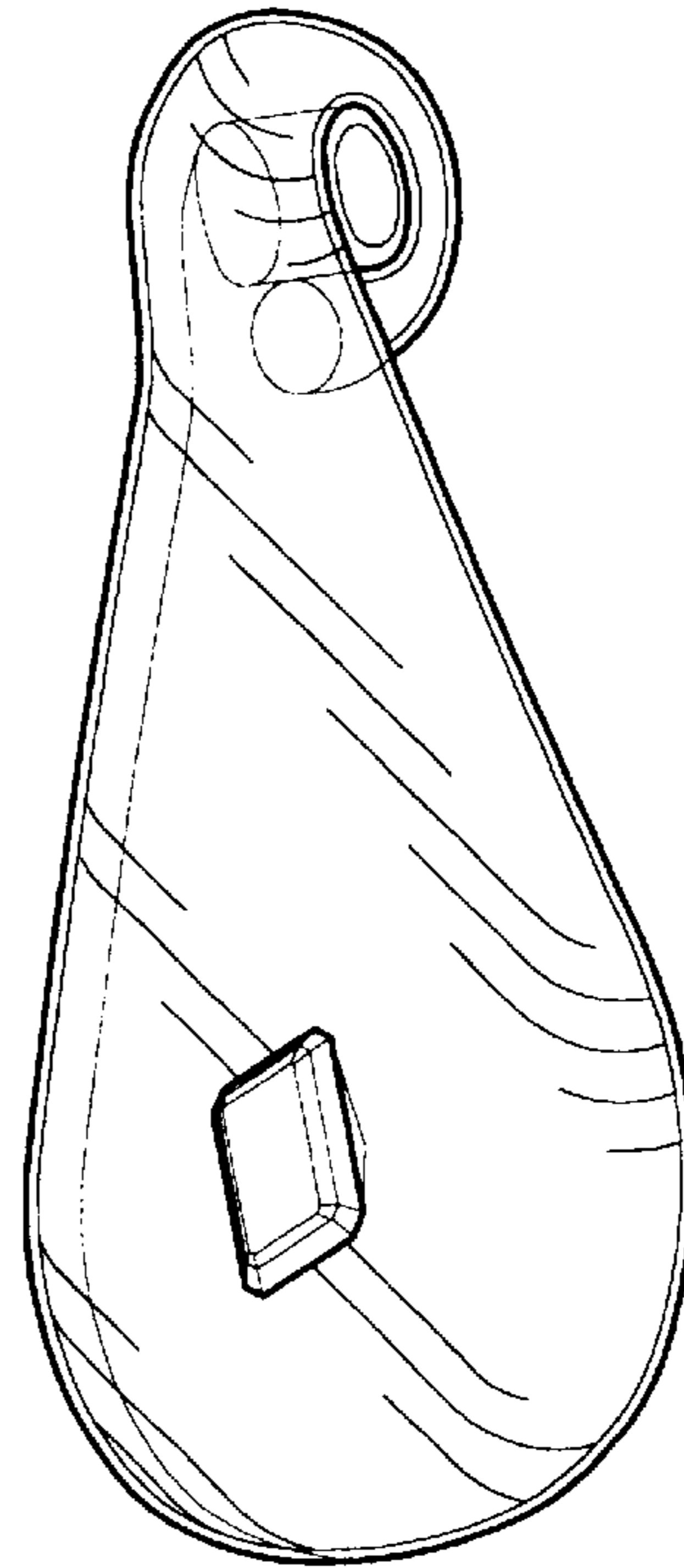


FIG.10

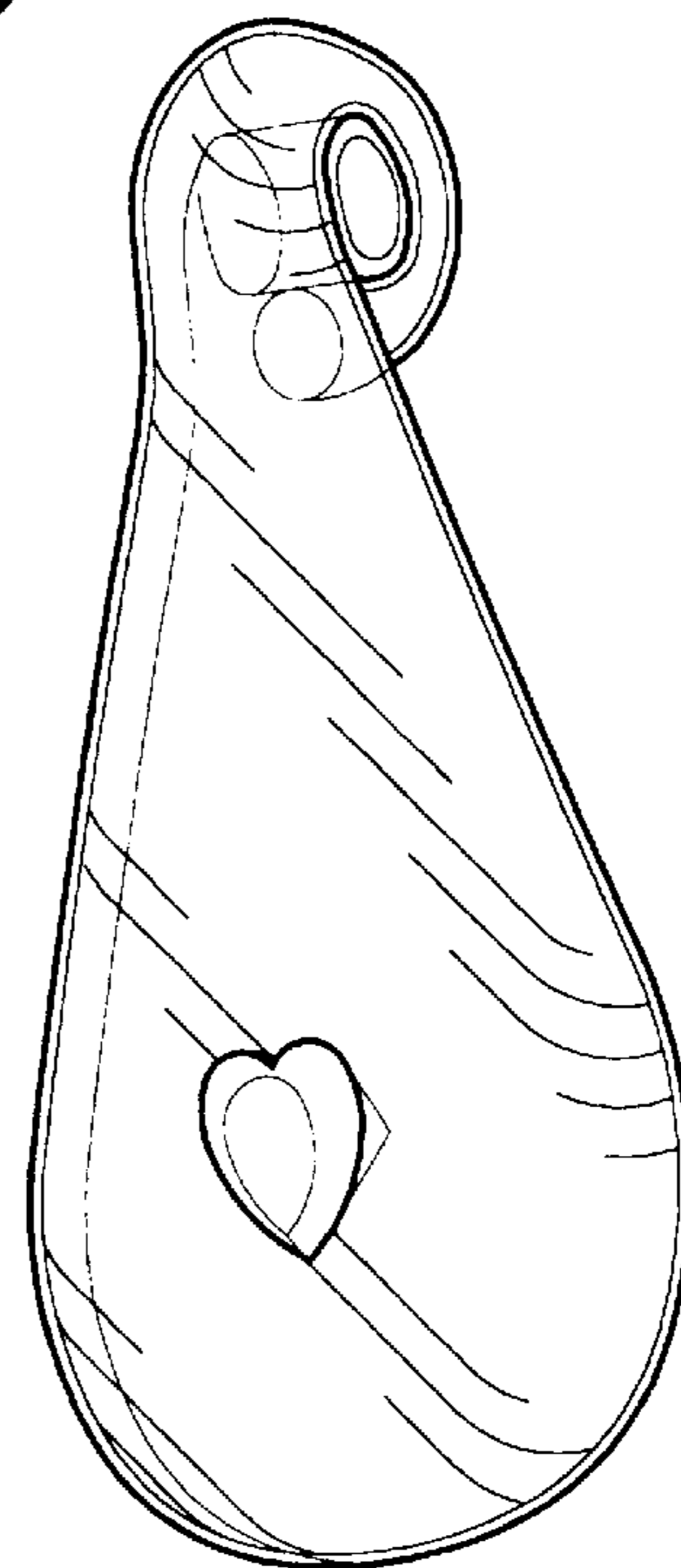


FIG.11

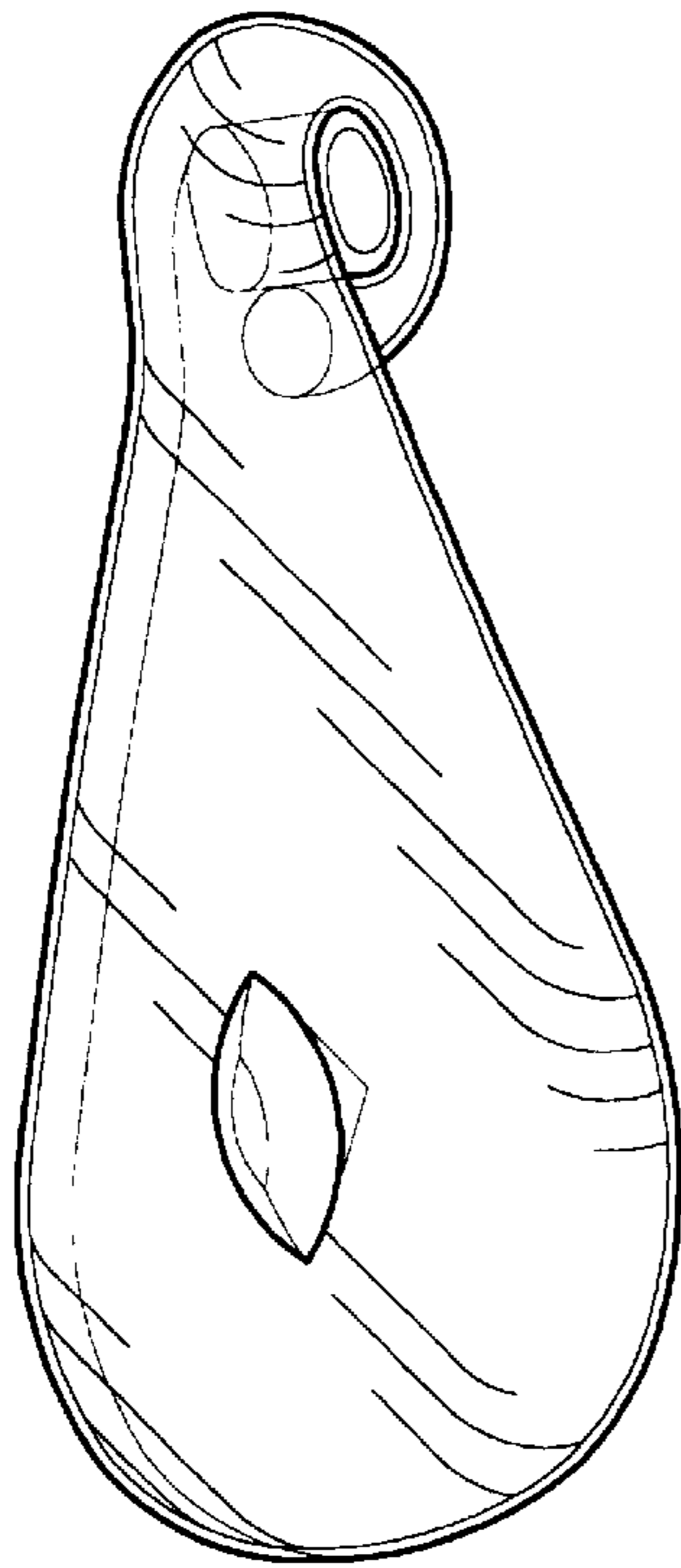


FIG.12

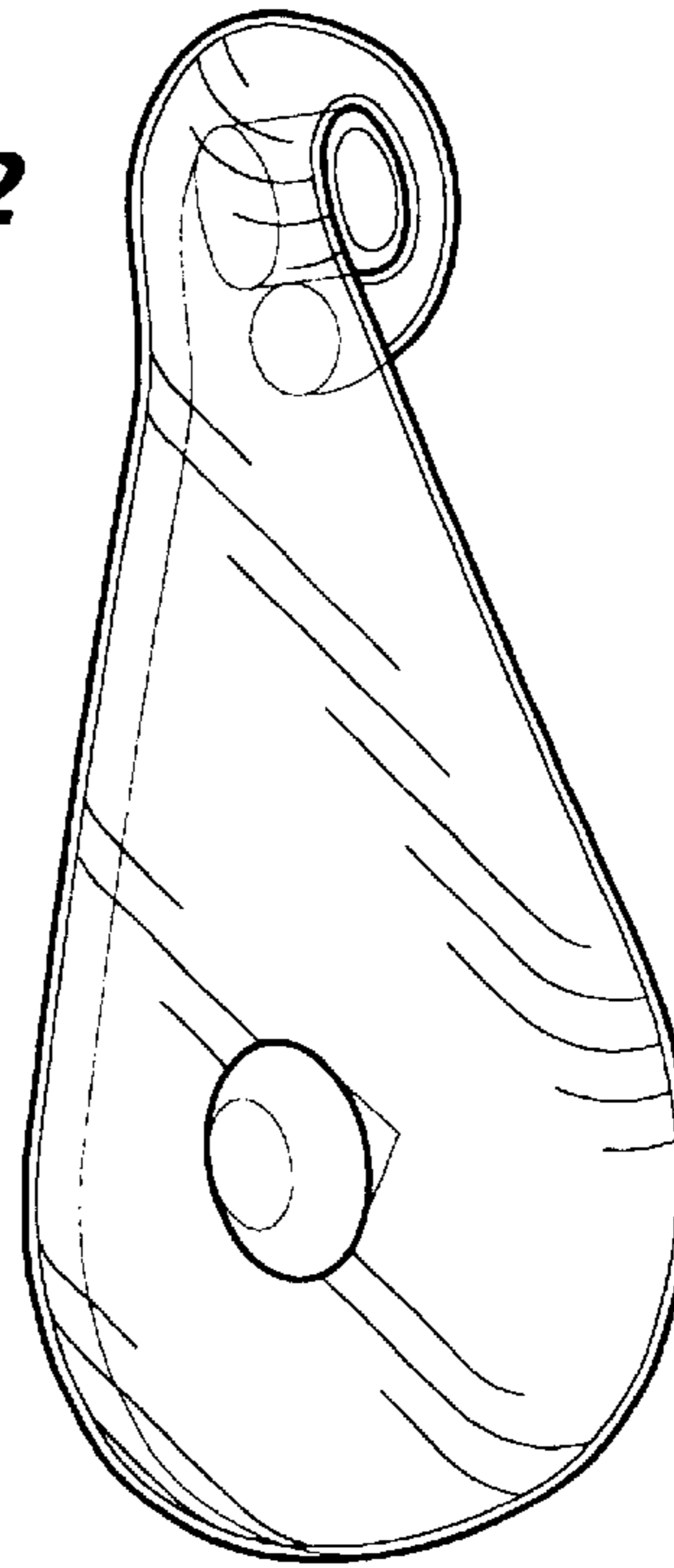


FIG.13

