



US00D517933S

(12) **United States Design Patent** (10) **Patent No.:** **US D517,933 S**
Concari (45) **Date of Patent:** **** *Mar. 28, 2006**

(54) **OPTICAL INSTRUMENT**

(75) Inventor: **Gabriel E. Concari**, Eldersburg, MD (US)

(73) Assignee: **Black & Decker Inc.**, Newark, DE (US)

(*) Notice: This patent is subject to a terminal disclaimer.

(**) Term: **14 Years**

(21) Appl. No.: **29/203,959**

(22) Filed: **Apr. 22, 2004**

Related U.S. Application Data

(63) Continuation of application No. 29/182,810, filed on Jun. 2, 2003, now Pat. No. Des. 494,076.

(51) **LOC (8) Cl.** **10-04**

(52) **U.S. Cl.** **D10/70**

(58) **Field of Classification Search** D10/70;
33/285, 286; 356/138, 139, 141.3, 142, 345,
356/5.12, 375, 4.05, 5.15, 28.5, 5.09; 385/134-139,
385/83, 97-99; 264/1.24, 1.25; 702/150,
702/158

See application file for complete search history.

(56) **References Cited**

U.S. PATENT DOCUMENTS

D494,076 S * 8/2004 Concari D10/70

* cited by examiner

Primary Examiner—Antoine D. Davis

(74) *Attorney, Agent, or Firm*—Adan Ayala

(57) **CLAIM**

The ornamental design for an optical instrument, as shown and described.

DESCRIPTION

FIG. 1 is a perspective view from the left side of an embodiment of an optical instrument according to the invention.

FIG. 2 is left side elevational view of the embodiment.

FIG. 3 is a right side elevational view of the embodiment.

FIG. 4 is a front elevational view of the embodiment.

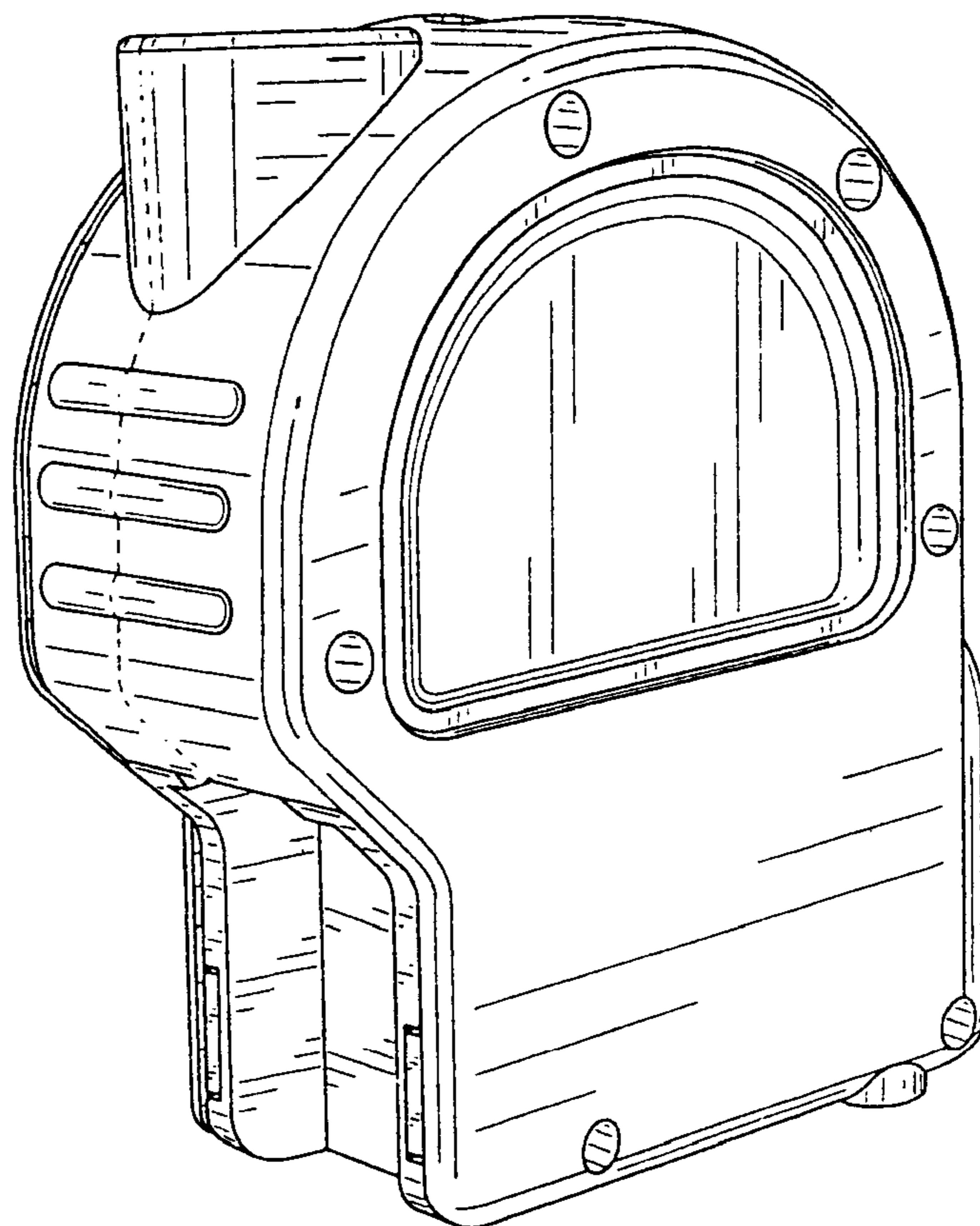
FIG. 5 is a rear elevational view of the embodiment.

FIG. 6 is a top plan view of the embodiment; and,

FIG. 7 is a bottom plan view of the embodiment.

In the above drawings, any broken lines are for illustrative purposes only and form no part of the claimed design.

1 Claim, 7 Drawing Sheets



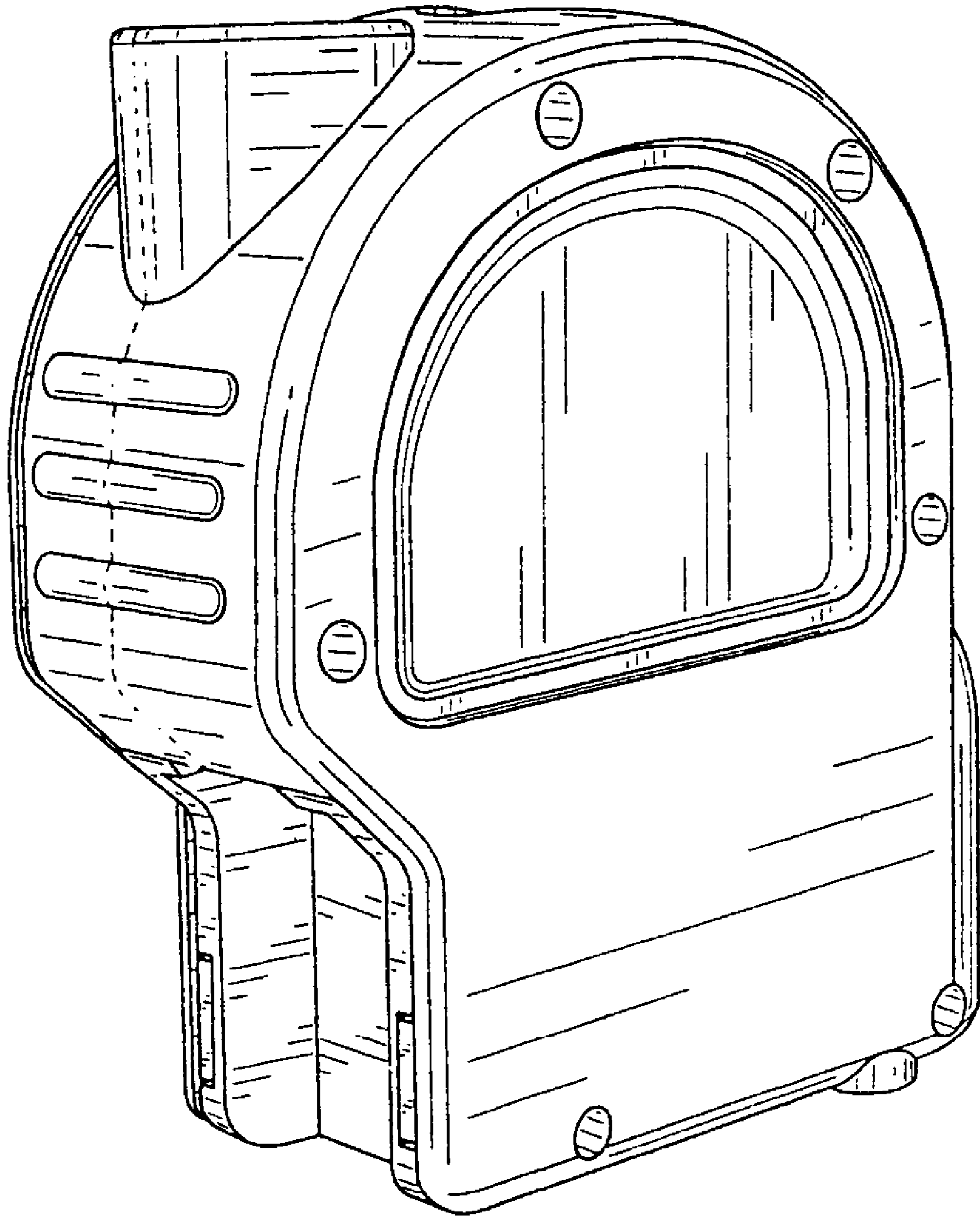


FIG. 1

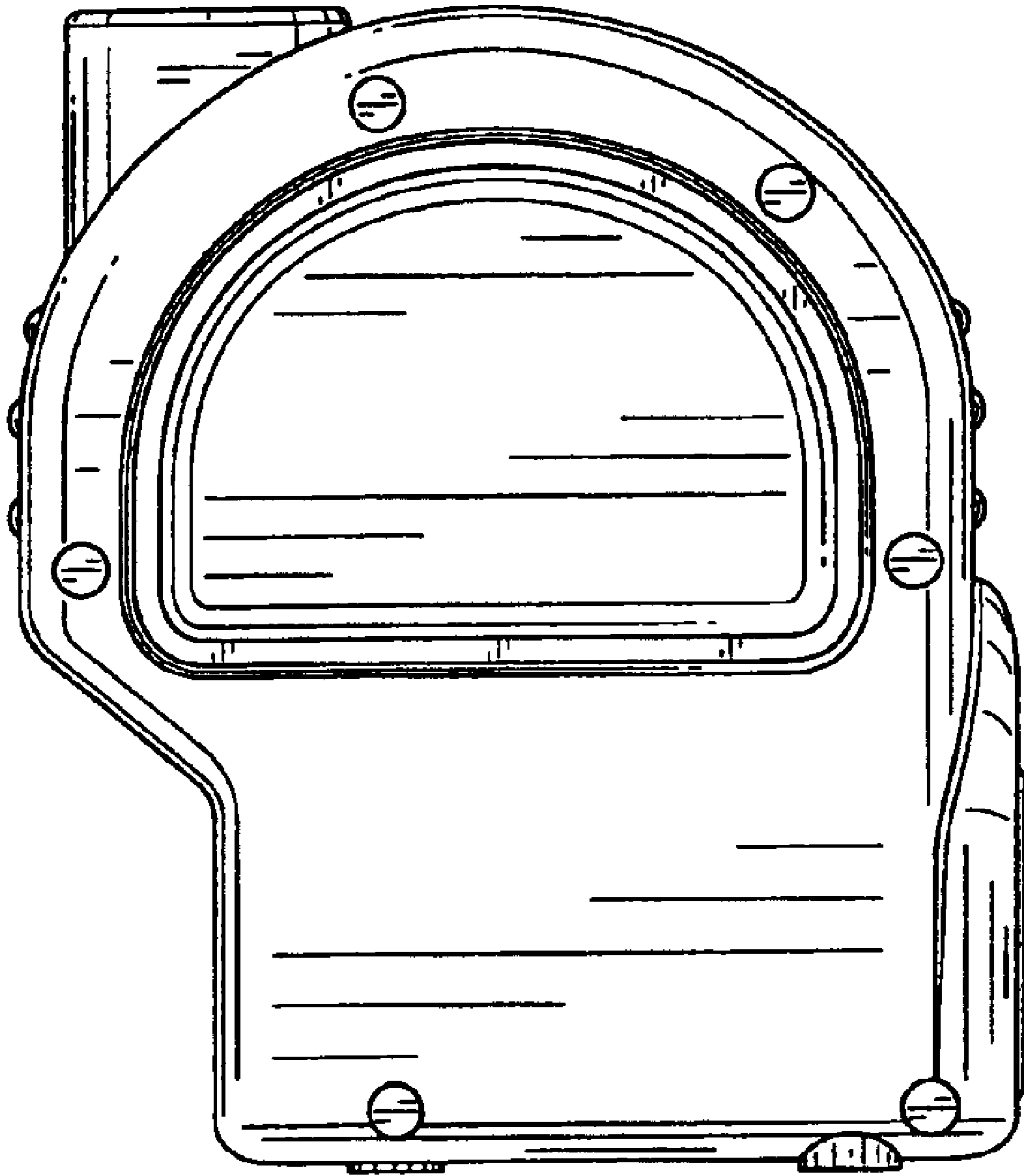


FIG. 2

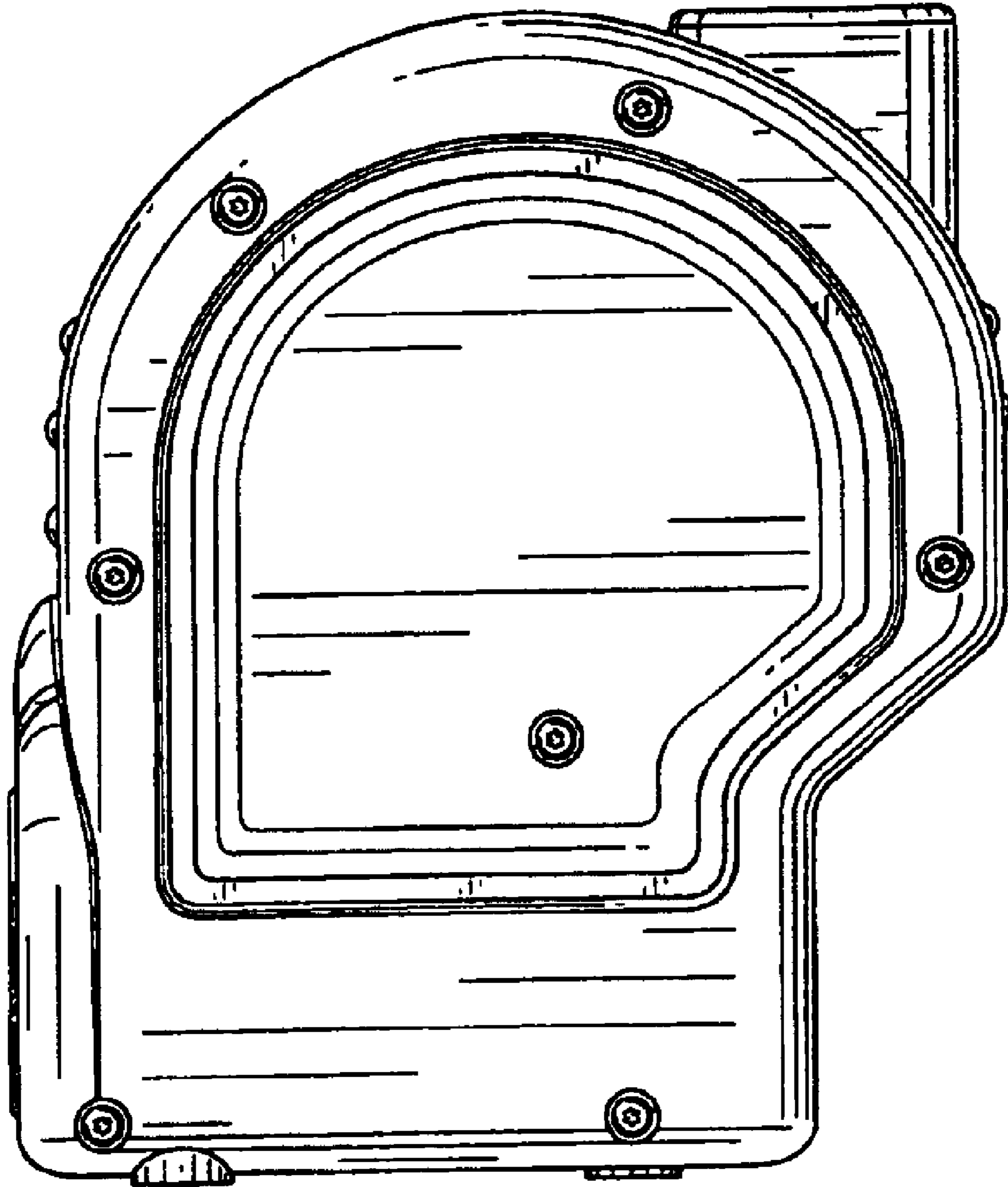


FIG. 3

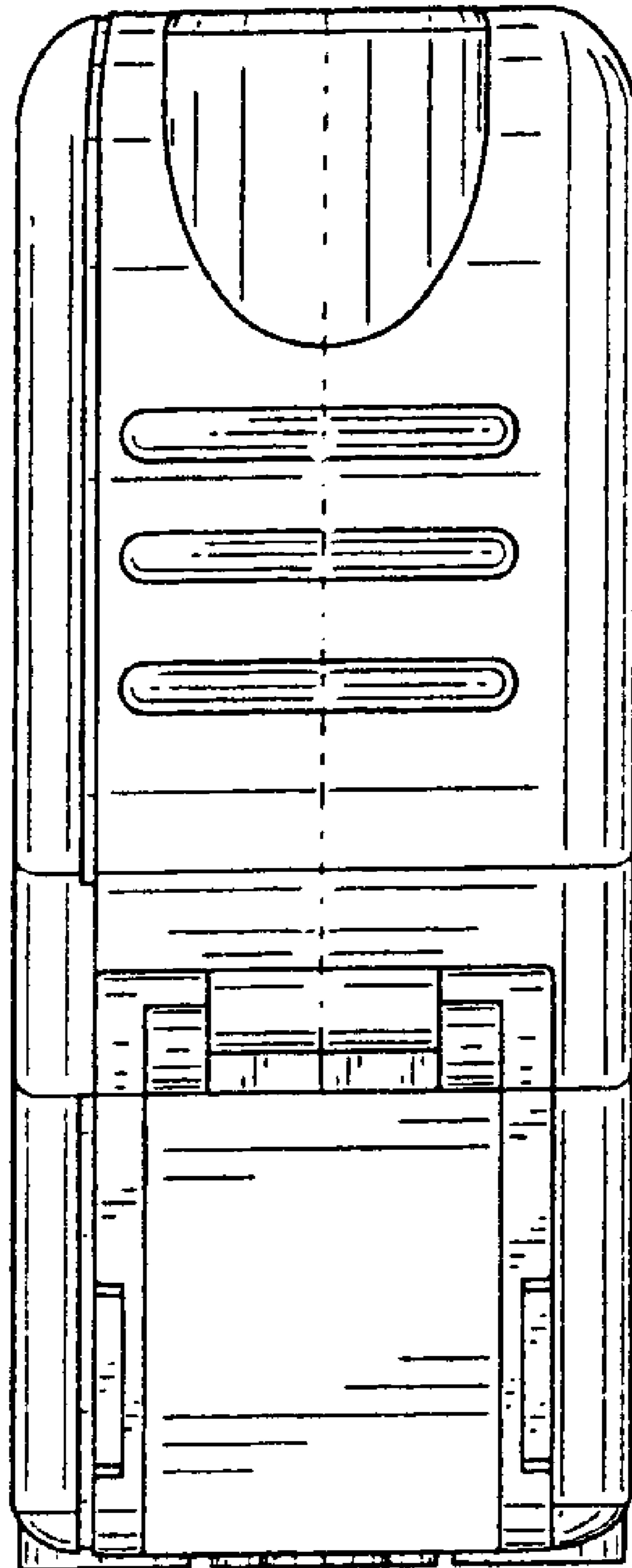


FIG. 4

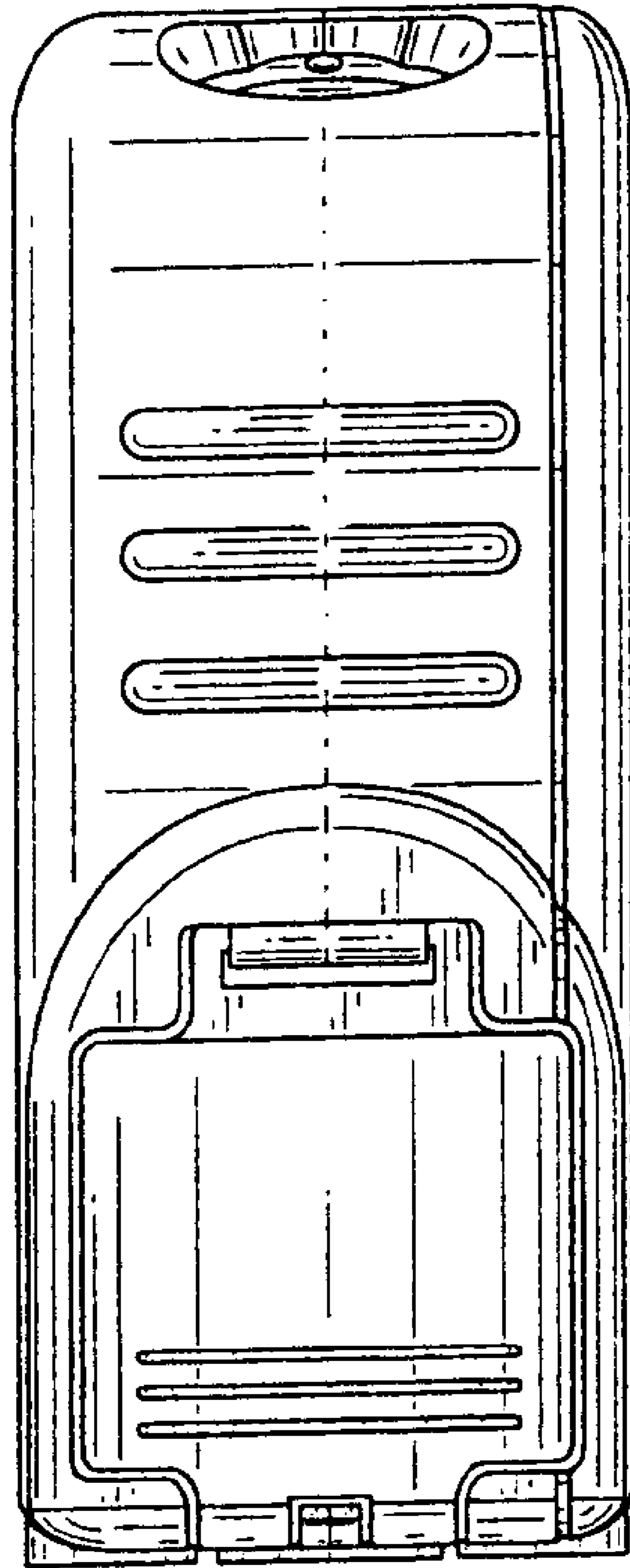


FIG. 5

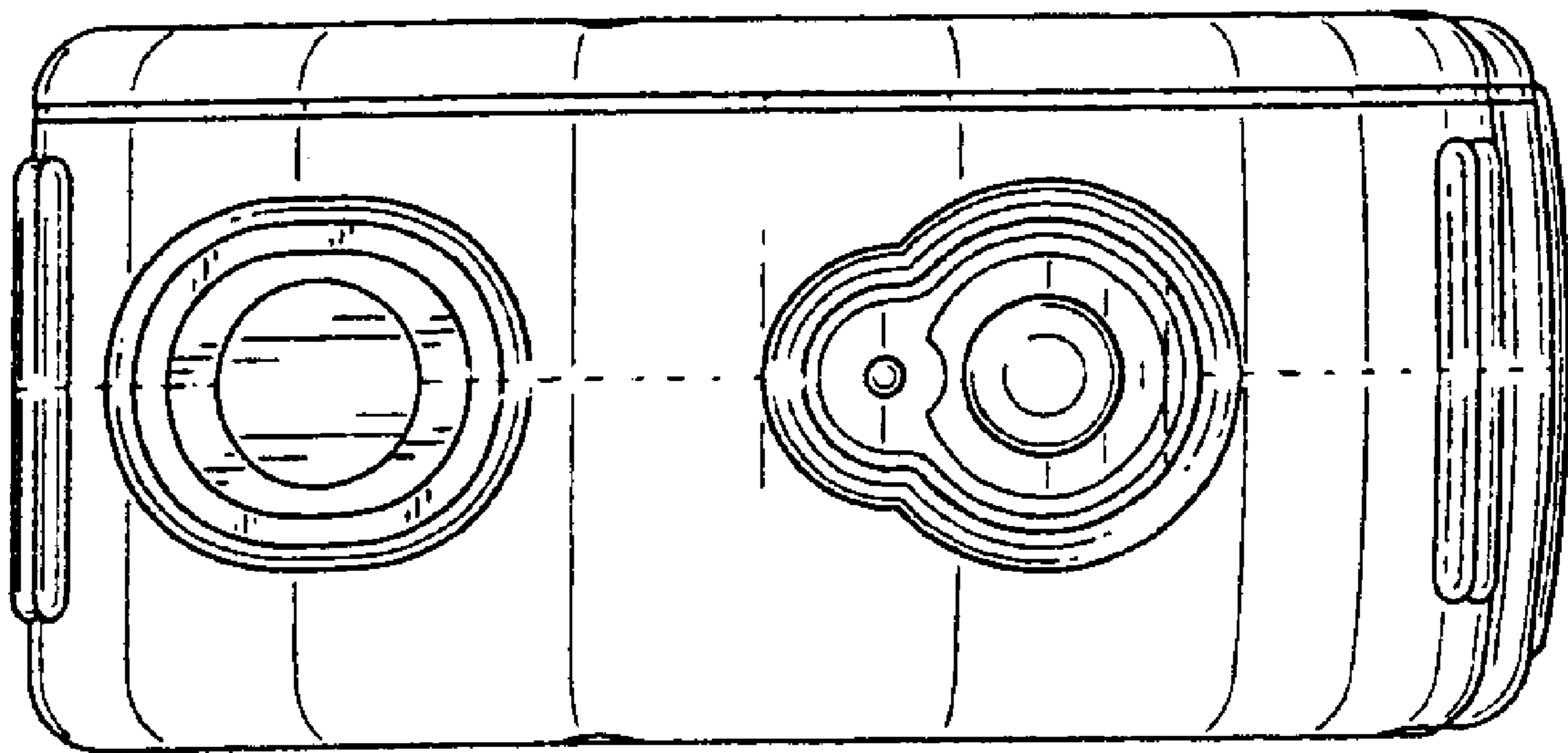


FIG. 6

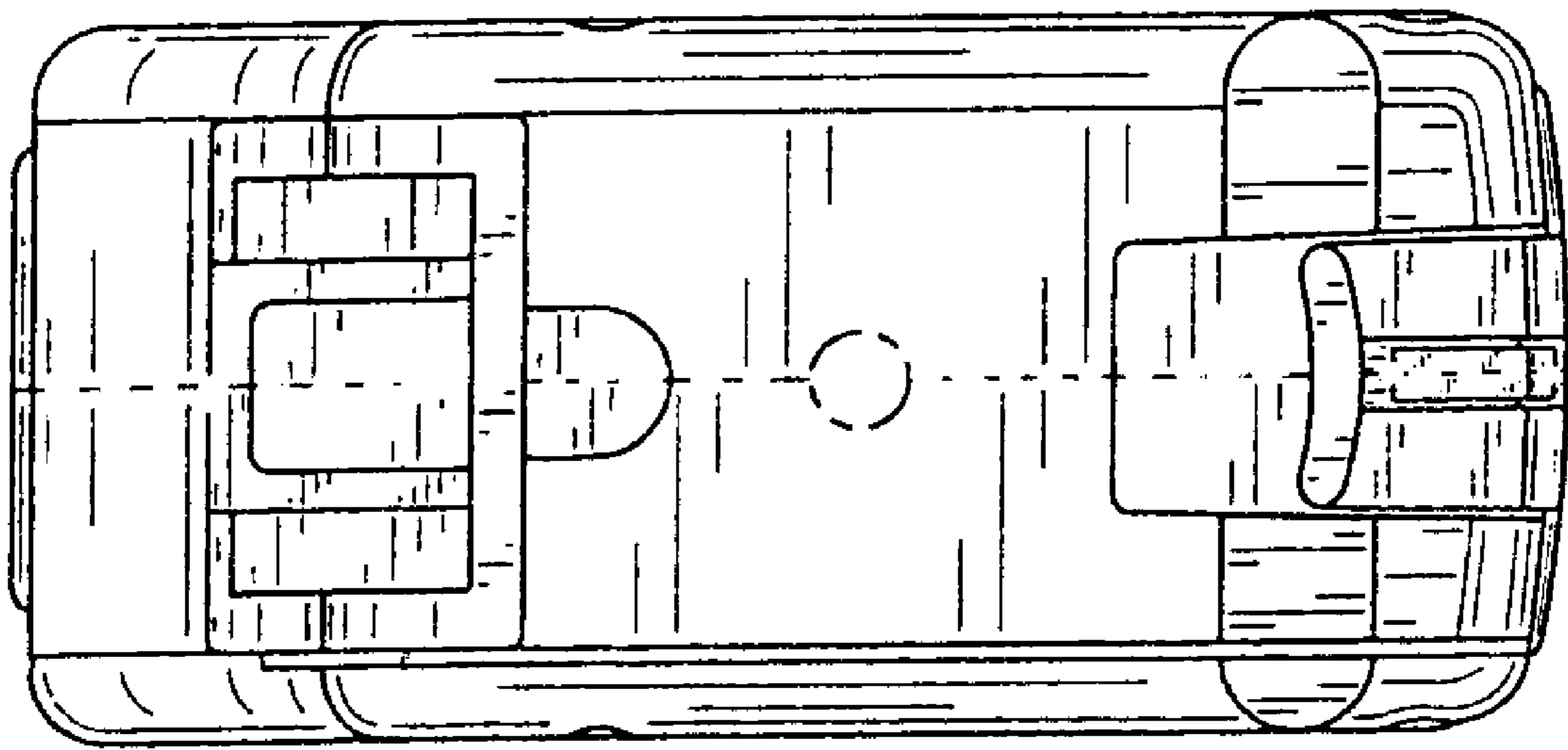


FIG. 7