



US00D517930S

(12) **United States Design Patent**  
**Chism**

(10) **Patent No.:** **US D517,930 S**  
(45) **Date of Patent:** **\*\* Mar. 28, 2006**

(54) **WILDLIFE FEEDER TIMER**

FOREIGN PATENT DOCUMENTS

(76) Inventor: **Stan Chism**, West Texas Feeder Supply,  
1669 N. Flamingo Ave., Odessa, TX  
(US) 79763

DE 10155686 5/2003

(\*\*) Term: **14 Years**

OTHER PUBLICATIONS

(21) Appl. No.: **29/207,977**

(22) Filed: **Jun. 23, 2004**

www.petfooddirect.com—Describes a large size pet feeder with a digital timer which may be programmed for up to 8 feedings a day. The Autopetfeeder features a built-in battery backup and manual override switch. URL: [http://www.petfooddirect.com/store/product\\_detail.asp?pf%5Fid=107140403%2D2000GL&dept%5Fid=26&brand%5Fid=432&Page=](http://www.petfooddirect.com/store/product_detail.asp?pf%5Fid=107140403%2D2000GL&dept%5Fid=26&brand%5Fid=432&Page=).

(51) **LOC (8) Cl.** ..... **10-03**

(52) **U.S. Cl.** ..... **D10/40**

(58) **Field of Classification Search** ..... D10/40,  
D10/41, 15, 30, 31, 97; D30/122; D18/2;  
368/10, 97-123, 276-278, 316, 317; 307/141,  
307/141.4; 119/51.11, 51.12, 51.13, 51.14,  
119/51.15; 200/38 R, 38 D, 38 DA, 38 A,  
200/38 F, 33 R

www.kittenkaboodle.com—Describes the same feeder above. [http://www.kittenkaboodle.com/Merchant2/merchant.mvc?Screen=PROD&Store\\_Code=KK&Product\\_Code=2000GL&Category\\_Code=Dog\\_Feeders\\_Waterers](http://www.kittenkaboodle.com/Merchant2/merchant.mvc?Screen=PROD&Store_Code=KK&Product_Code=2000GL&Category_Code=Dog_Feeders_Waterers).

www.sweenyfeeders.com—Describes programmable digital timers for feeders. The timers feature digital displays and push buttons for programming up to 24 feed times a day. The device also features a battery level indicator. [http://www.sweenyfeeders.com/cgi-bin/sf/prod\\_timers.html?roid=253](http://www.sweenyfeeders.com/cgi-bin/sf/prod_timers.html?roid=253).

See application file for complete search history.

(56) **References Cited**

U.S. PATENT DOCUMENTS

|                 |           |               |           |
|-----------------|-----------|---------------|-----------|
| 4,168,525 A     | 9/1979    | Russell       |           |
| 4,502,416 A     | 3/1985    | Keysell       |           |
| D283,403 S      | * 4/1986  | Chan          | D10/40    |
| 4,733,634 A     | 3/1988    | Hooser        |           |
| D304,224 S      | 10/1989   | Wilson et al. |           |
| D310,338 S      | 9/1990    | Cureton       |           |
| D335,460 S      | * 5/1993  | Tanaka        | D10/40    |
| D335,939 S      | 5/1993    | Cooper        |           |
| 5,299,529 A     | 4/1994    | Ramirez       |           |
| D351,261 S      | 10/1994   | Woo           |           |
| 5,433,171 A     | * 7/1995  | Ewell         | 119/51.5  |
| D362,013 S      | * 9/1995  | Benjamin      | D18/7     |
| D366,837 S      | 2/1996    | Cooney        |           |
| D383,251 S      | * 9/1997  | Zimmerman     | D30/106   |
| 5,689,476 A     | * 11/1997 | Leach         | 368/10    |
| D409,505 S      | 5/1999    | Janda         |           |
| 5,955,796 A     | * 9/1999  | Nilssen       | 307/140   |
| 6,227,143 B1    | * 5/2001  | Papkov        | 119/51.11 |
| 6,367,417 B1    | 4/2002    | Gal           |           |
| D464,577 S      | 10/2002   | Timmer        |           |
| D467,821 S      | * 12/2002 | Ogawa         | D10/40    |
| D469,420 S      | 1/2003    | Parsadayan    |           |
| D485,502 S      | 1/2004    | Clivio        |           |
| 2002/0097638 A1 | 7/2002    | Stekelenburg  |           |

\* cited by examiner

*Primary Examiner*—Lucy Lieberman  
(74) *Attorney, Agent, or Firm*—Wood, Ngo & Eisenberg PLLC

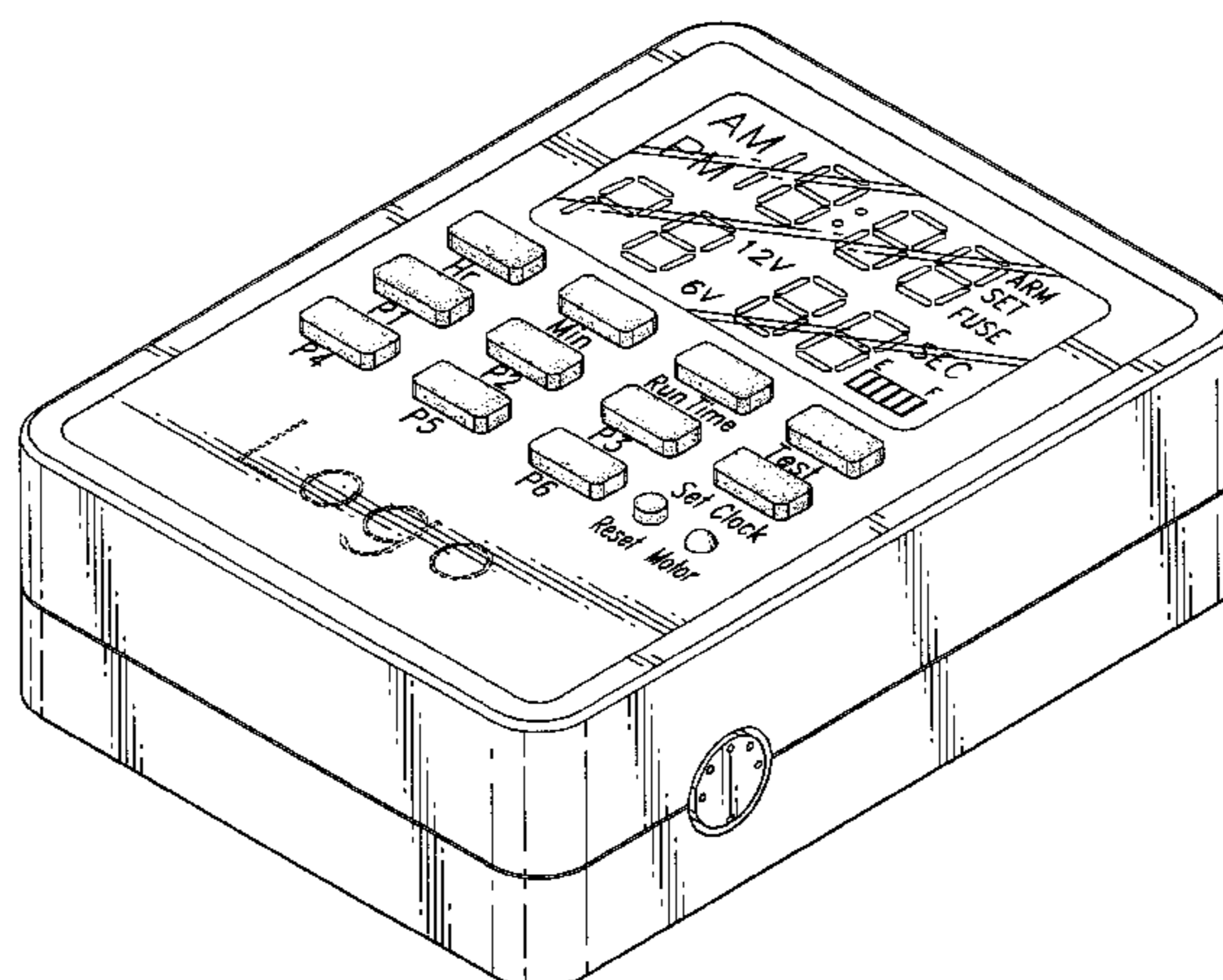
(57) **CLAIM**

The ornamental design for a wildlife feeder timer, as shown and described.

**DESCRIPTION**

FIG. 1 is a front, side and bottom perspective view of a wildlife feeder timer showing my new design; FIG. 2 is a front view of the wildlife feeder timer of FIG. 1; FIG. 3 is a side view of the wildlife feeder timer of FIG. 1; and, FIG. 4 is a further side view of the wildlife feeder timer of FIG. 1. The broken lines showing indicia in FIGS. 1 and 2 are for illustrative purposes only and form no part of the claimed design.

**1 Claim, 4 Drawing Sheets**



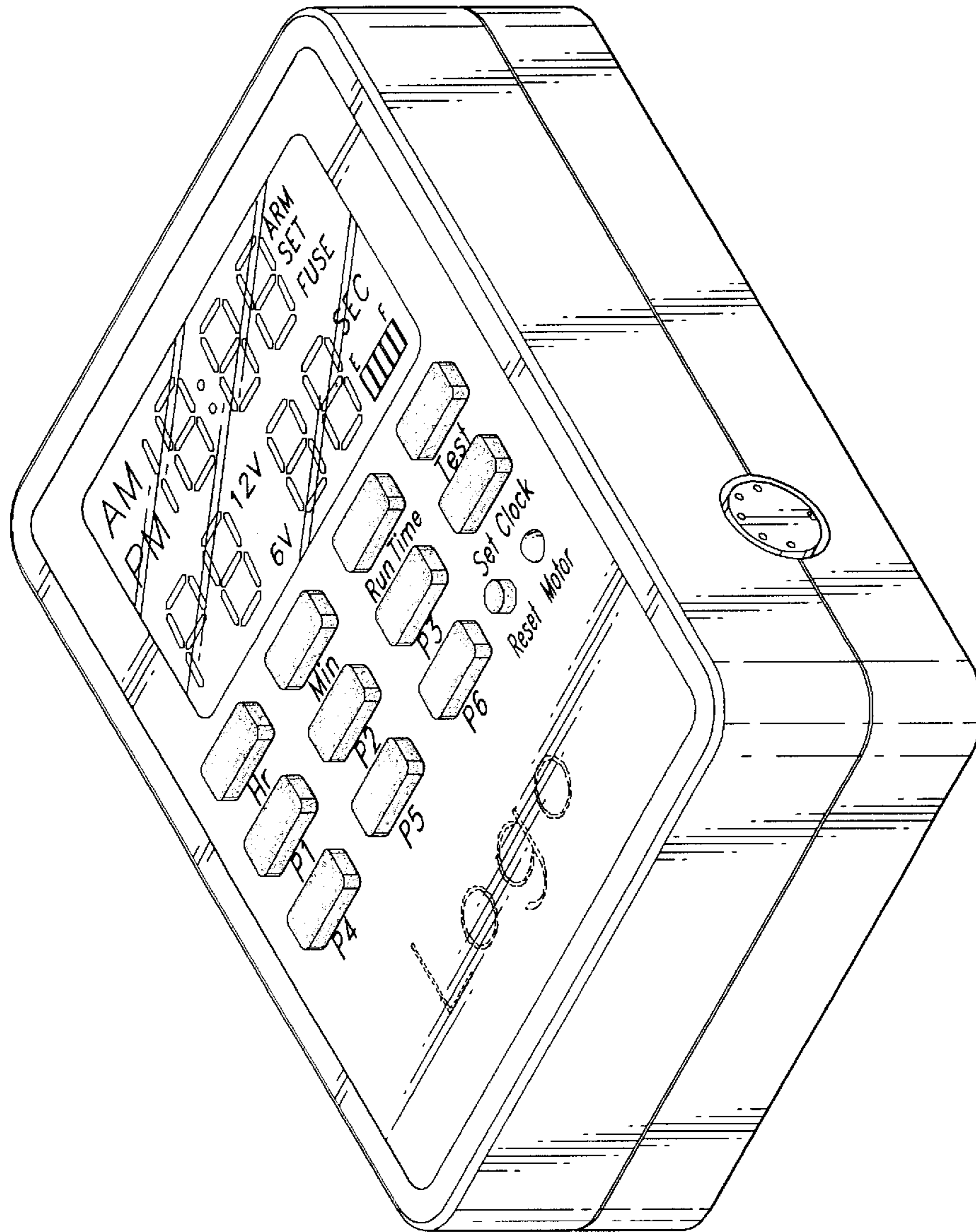
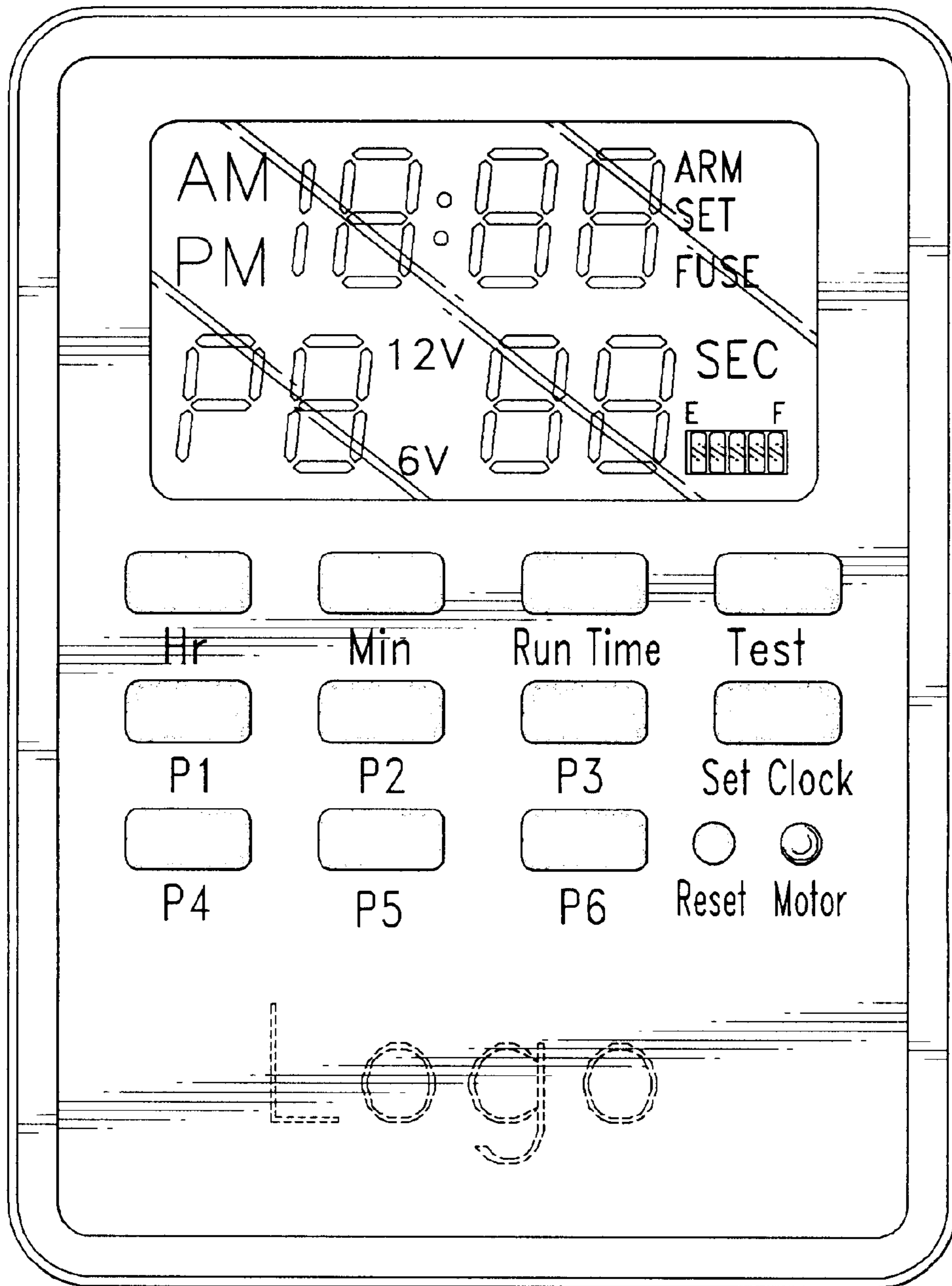
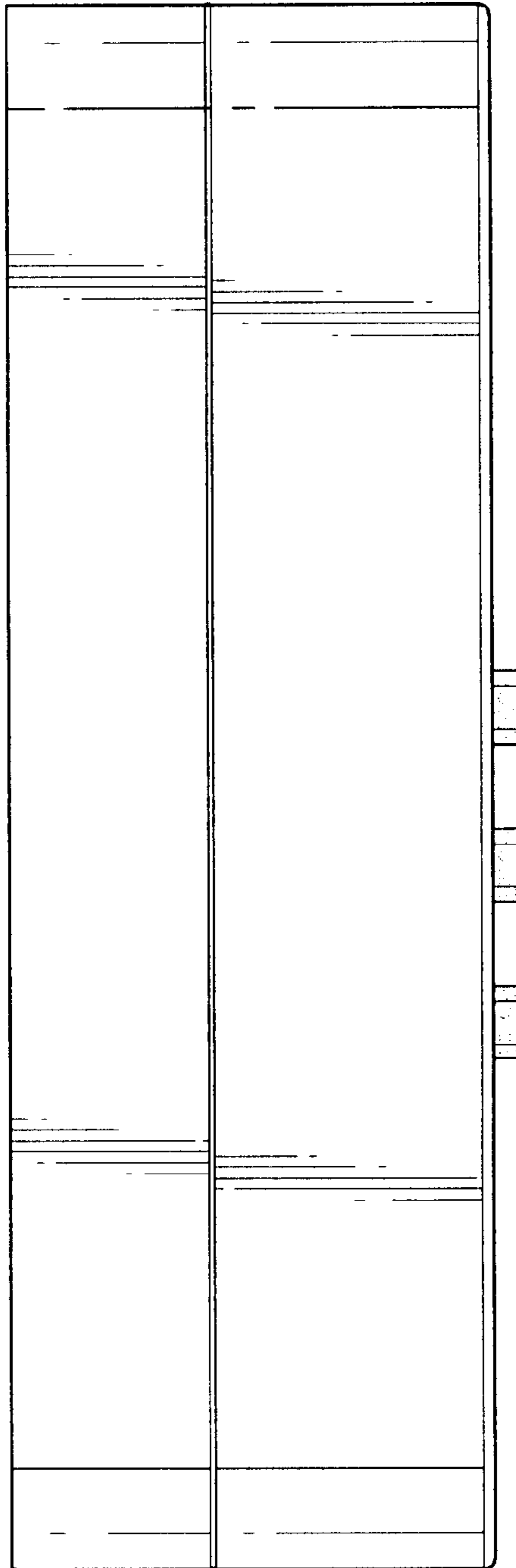


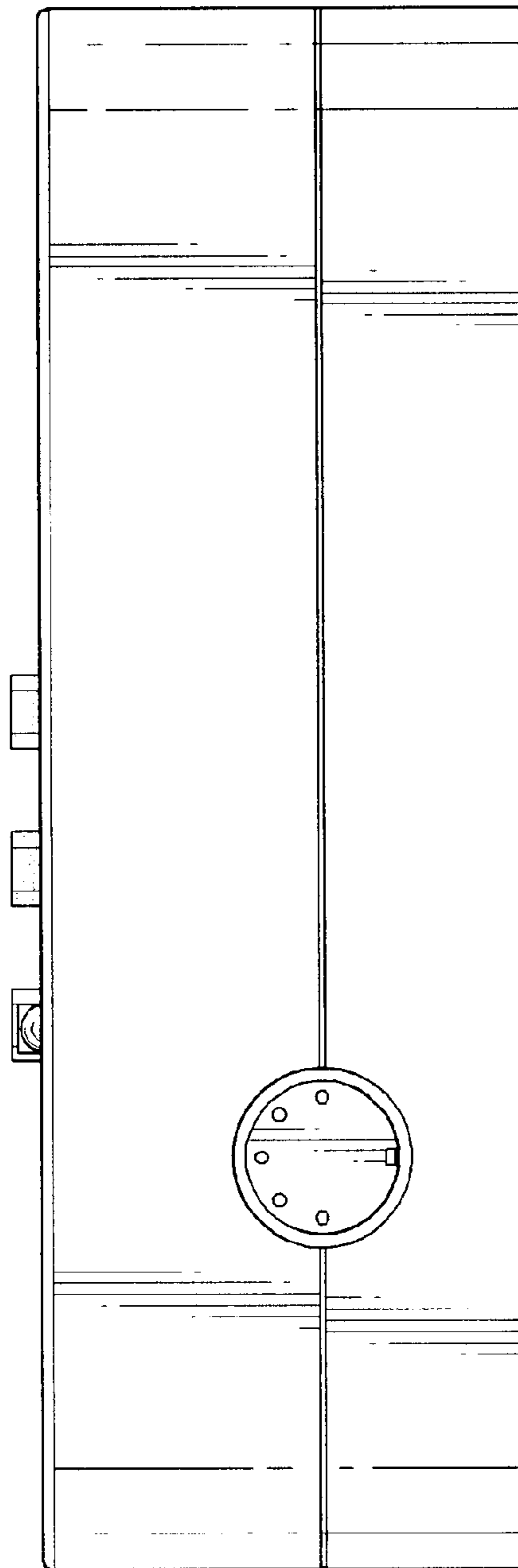
Fig. 1



*Fig. 2*



*Fig. 3*



*Fig. 4*