



US00D517918S

(12) **United States Design Patent**
Colloud et al.

(10) **Patent No.: US D517,918 S**
(45) **Date of Patent: ** Mar. 28, 2006**

(54) **BOTTLE**
(75) Inventors: **Alain Colloud**, Reyvroz (FR);
Jean-Paul Besson, Abondance (FR)
(73) Assignee: **Compagnie Gervais Danone**,
Levallios-Perret (FR)

6,296,131 B1 * 10/2001 Rashid 215/383
D450,244 S * 11/2001 Rashid D9/503
D456,266 S * 4/2002 Cross et al. D9/504
D457,435 S * 5/2002 Rashid D9/502
D476,570 S * 7/2003 Silvers D9/500
2003/0116526 A1 * 6/2003 Mehanna 215/379

(**) Term: **14 Years**
(21) Appl. No.: **29/215,592**
(22) Filed: **Oct. 21, 2004**

FOREIGN PATENT DOCUMENTS

GB 2025889 A * 1/1980
GB 1040567 * 11/1987
WO DM/062219 * 9/2002
WO DM/066426 * 2/2005

* cited by examiner

(30) **Foreign Application Priority Data**
May 4, 2004 (FR) 04 2235

Primary Examiner—Carol Rademaker
Assistant Examiner—Dana L. Sipos
(74) *Attorney, Agent, or Firm*—Hughes Hubbard & Reed
LPP; Ronald Abramson; Peter A. Sullivan

(51) **LOC (8) Cl.** **09-01**
(52) **U.S. Cl.** **D9/502; D9/520**
(58) **Field of Classification Search** D9/500,
D9/502–504, 516, 520, 537–539, 549, 550,
D9/553, 556–558, 566; D7/509–512; 215/379,
215/381–385; 220/660, 662, 669, 915.1
See application file for complete search history.

(57) **CLAIM**

The ornamental design for a bottle, as shown and described.

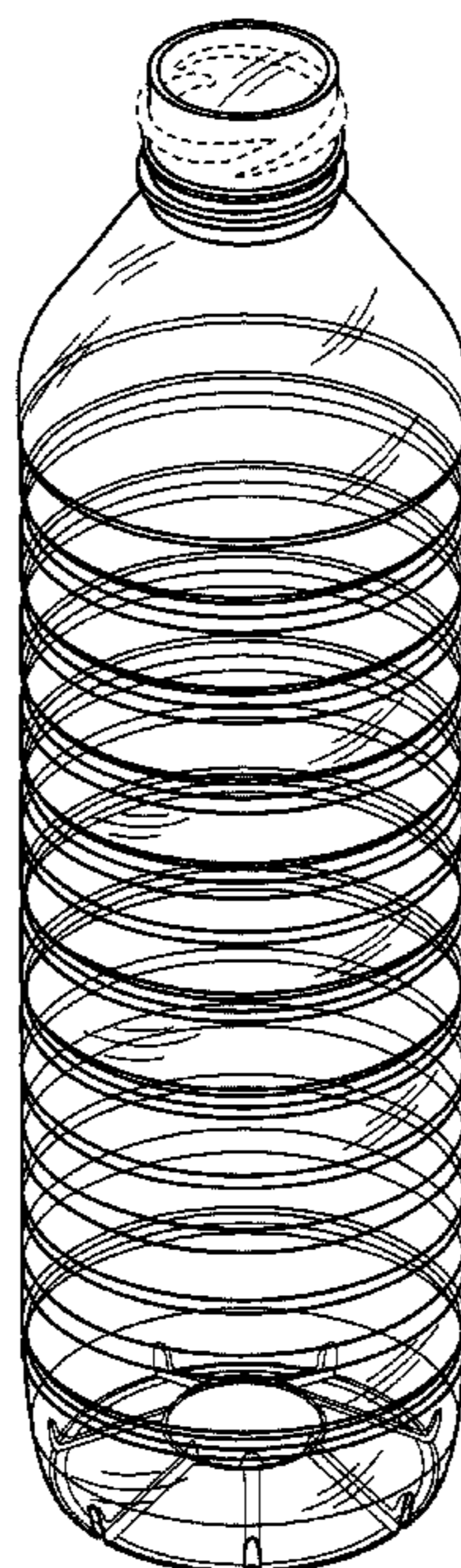
(56) **References Cited**
U.S. PATENT DOCUMENTS

DESCRIPTION

FIG. 1 is a perspective view of a bottle showing our new design;
FIG. 2 is a front elevational view thereof, shown at a reduced scale;
FIG. 3 is a back elevational view thereof, the left side and right side elevational views being mirror images except for the bottom surface detail and the unclaimed threads;
FIG. 4 is a top plan view thereof; and,
FIG. 5 is a bottom plan view thereof.
The broken lines in FIGS. 1–3 are for illustrative purposes only and form no part of the claimed design.

5,024,339 A * 6/1991 Riemer 215/375
5,024,341 A * 6/1991 Dekerle 215/11.1
5,632,397 A * 5/1997 Fandoux et al. 215/382
5,713,480 A * 2/1998 Petre et al. 215/373
5,746,339 A * 5/1998 Petre et al. 215/383
D414,700 S * 10/1999 Zogg D9/502
6,065,624 A * 5/2000 Steinke 215/383
D428,814 S * 8/2000 Silvers et al. D9/502
D432,423 S * 10/2000 Rashid D9/502
6,230,912 B1 * 5/2001 Rashid 215/383

1 Claim, 2 Drawing Sheets



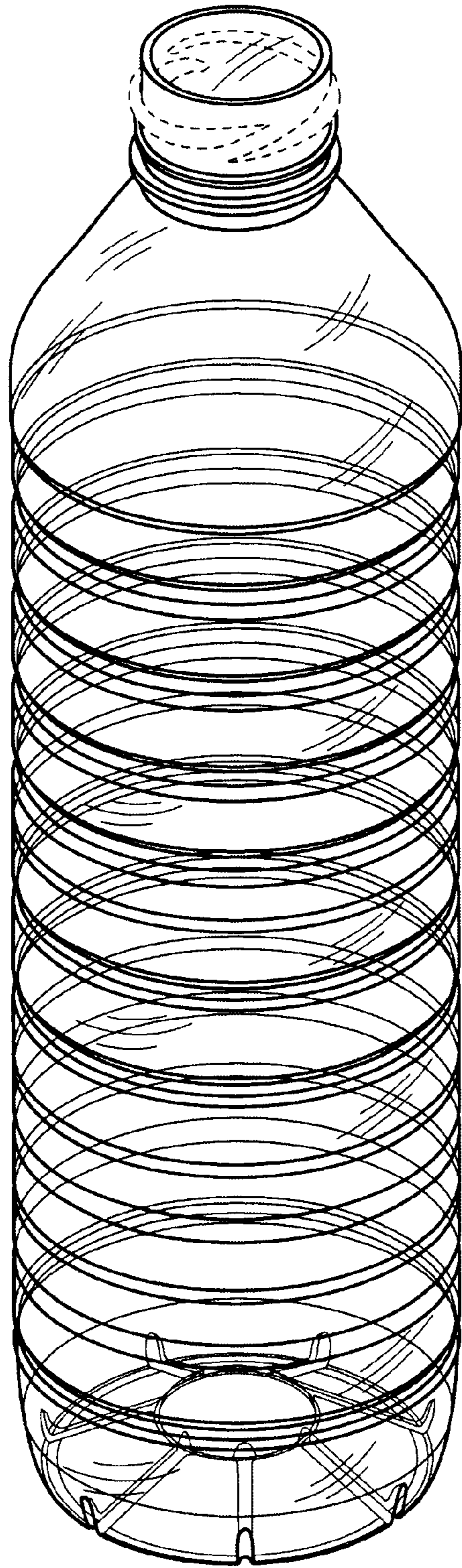


FIG. 1

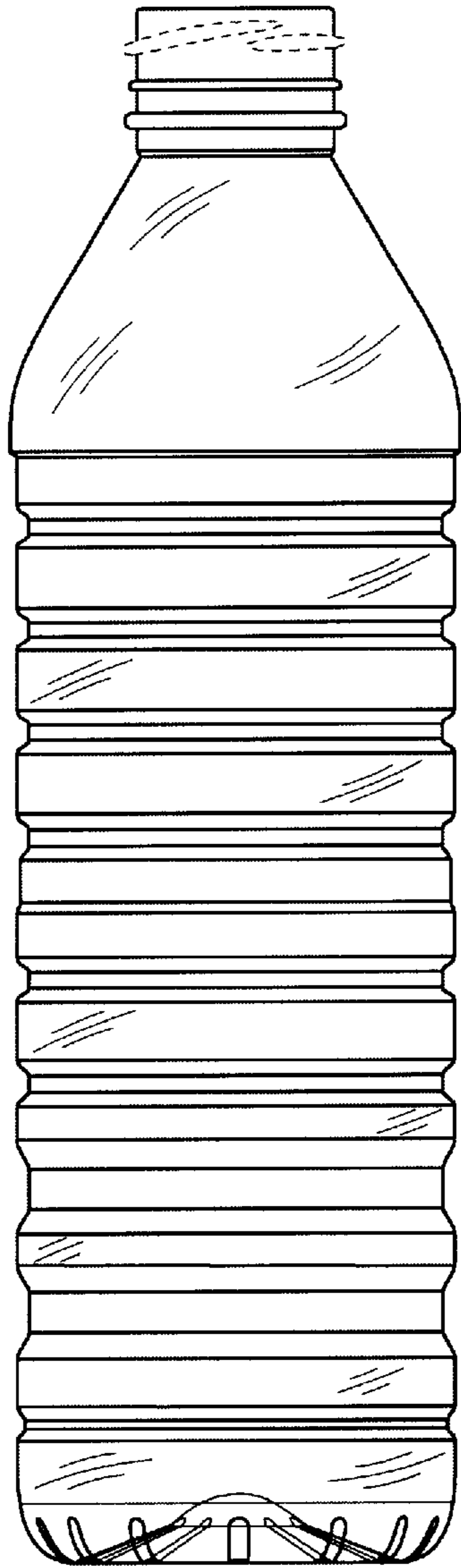


FIG. 2

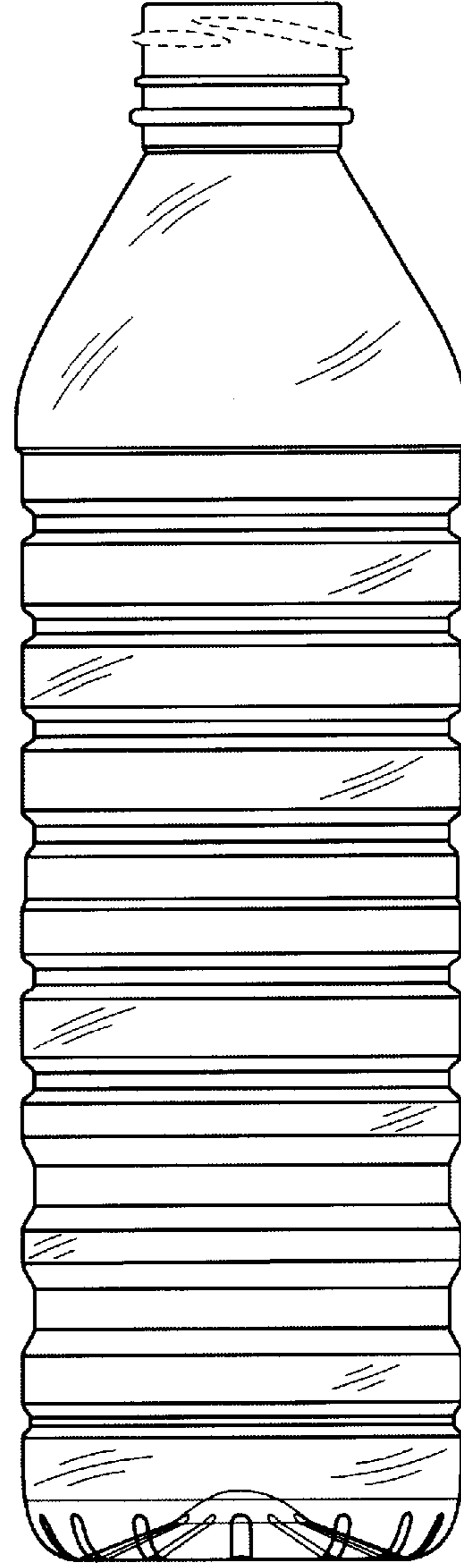


FIG. 3

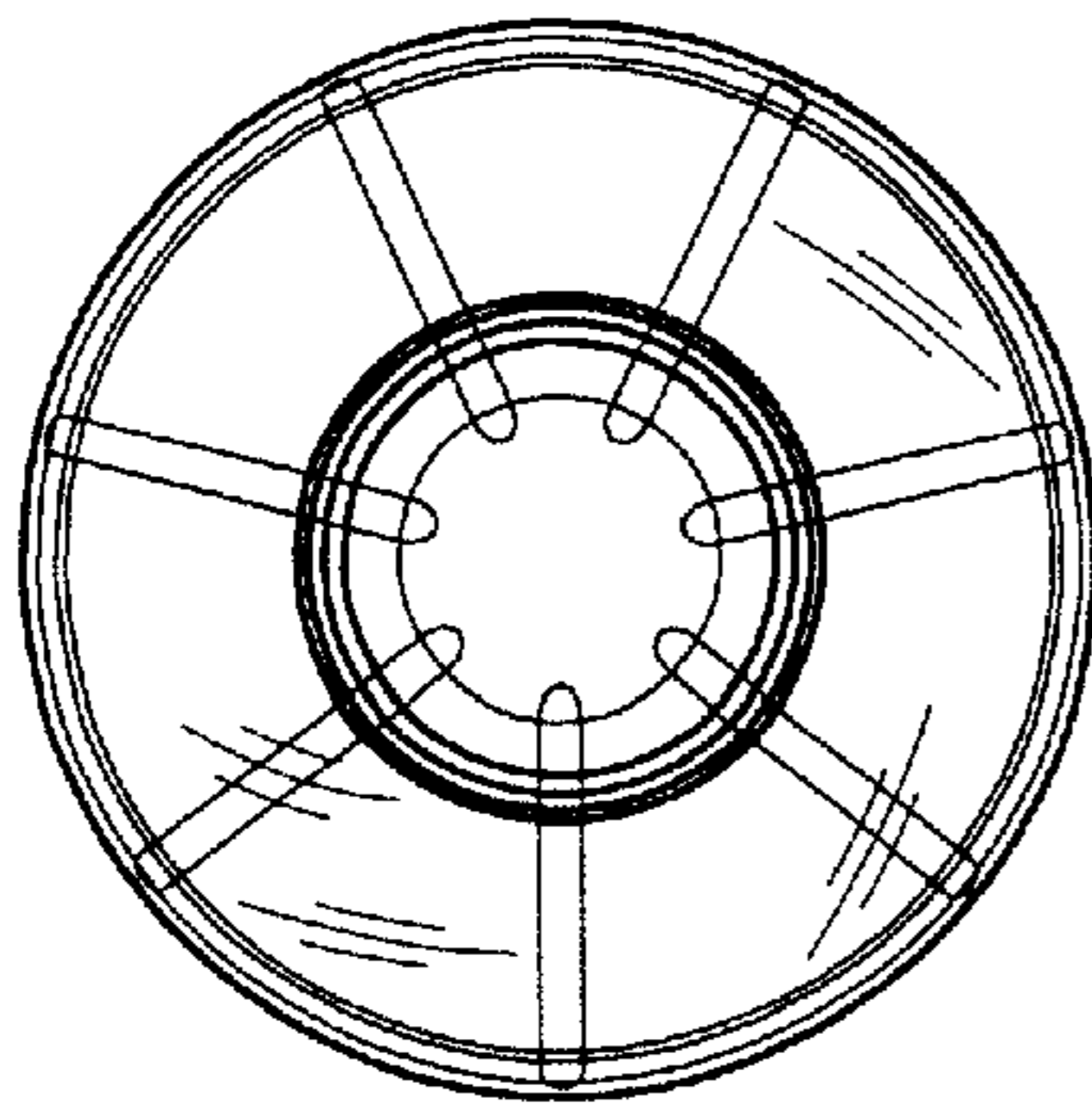


FIG. 4

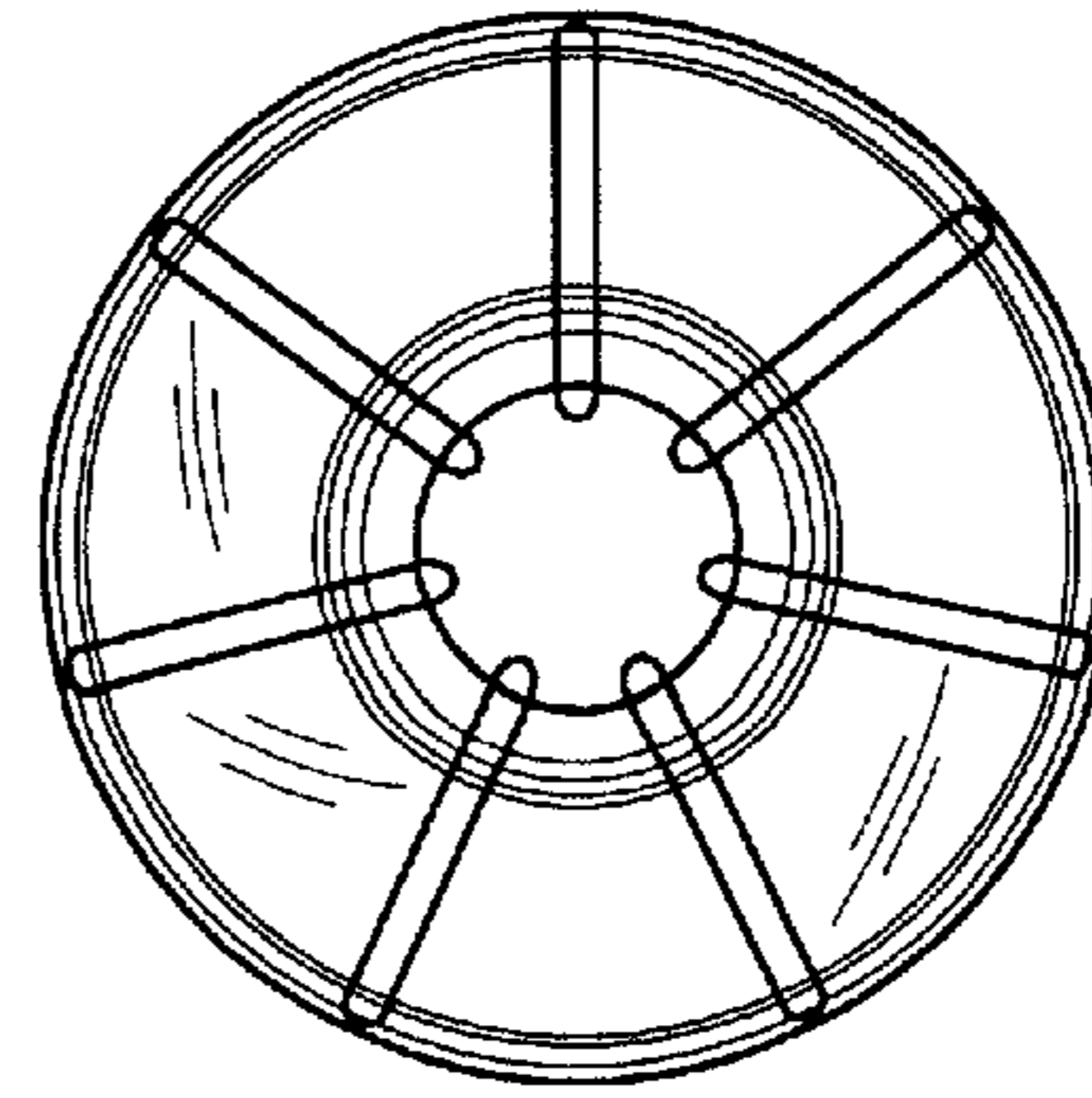


FIG. 5