



US00D517917S

(12) **United States Design Patent**
Sethi et al.

(10) **Patent No.:** **US D517,917 S**
(45) **Date of Patent:** **** Mar. 28, 2006**

(54) **ARTICLE DISPLAY DEVICE**

(75) Inventors: **Harsh K. Sethi**, Ashburn, VA (US);
Punita Sethi, Ashburn, VA (US)

(73) Assignee: **Punita Leathers, Inc.**, Chantilly, VA
(US)

(**) Term: **14 Years**

(21) Appl. No.: **29/213,664**

(22) Filed: **Sep. 22, 2004**

(51) **LOC (8) Cl.** **09-07**

(52) **U.S. Cl.** **D9/457**

(58) **Field of Classification Search** D9/499,
D9/457, 456, 455, 434, 433, 432, 415, 414,
D9/732, 418; D6/513, 315; D20/43, 42, 40,
D20/27, 22, 39; 426/115; 229/942, 906, 902,
229/115, 103, 101; 206/551, 538, 539, 534,
206/528-532, 469, 468, 445, 229; 223/87;
D28/76; D24/229; D23/386, 369, 366; D21/376
See application file for complete search history.

5,328,065 A 7/1994 Kolton et al.
5,429,284 A 7/1995 Kolton et al.
5,501,378 A 3/1996 Kolton et al.
5,620,118 A 4/1997 Kolton et al.
D394,675 S * 5/1998 Haas et al. D20/27
5,857,597 A 1/1999 Kolton
D412,110 S * 7/1999 Cornwell D9/415
D427,640 S * 7/2000 Derentz D20/22
D433,936 S * 11/2000 Pirro et al. D9/415
D438,461 S * 3/2001 Yamagishi D9/415
D447,877 S * 9/2001 Shaffer D6/315
D447,937 S * 9/2001 Tsuruishi et al. D9/415
D448,181 S * 9/2001 Shergalis D6/315
D467,171 S * 12/2002 Hirokawa et al. D9/415
D468,198 S * 1/2003 Nakazawa et al. D9/415
D501,402 S * 2/2005 Kilmer et al. D9/415

OTHER PUBLICATIONS

U.S. Appl. No. 10/945,975—filed Sep. 22, 2004.

* cited by examiner

Primary Examiner—Robert M. Spear

Assistant Examiner—Susan Bennett Hattan

(74) *Attorney, Agent, or Firm*—Dinesh Agarwal, P.C.

(57) **CLAIM**

The ornamental design for an article display device, as shown and described.

DESCRIPTION

FIG. 1 is a perspective view of an article display device of the present invention, shown hung on a display structure; FIG. 2 is a top plan view of the article display device of FIG. 1, the bottom plan view being identical thereto; FIG. 3 is a front elevational view of the article display device of FIG. 1, the rear elevational view being identical thereto; FIG. 4 is a left side view of the article display device of FIG. 1, the right side view being identical thereto; and, FIG. 5 is a front elevational view of a second embodiment of the article display device of FIG. 1, the rear elevational view being identical to FIG. 5, the top and bottom plan views being identical to FIG. 2 and the left and right side views being identical to FIG. 4.

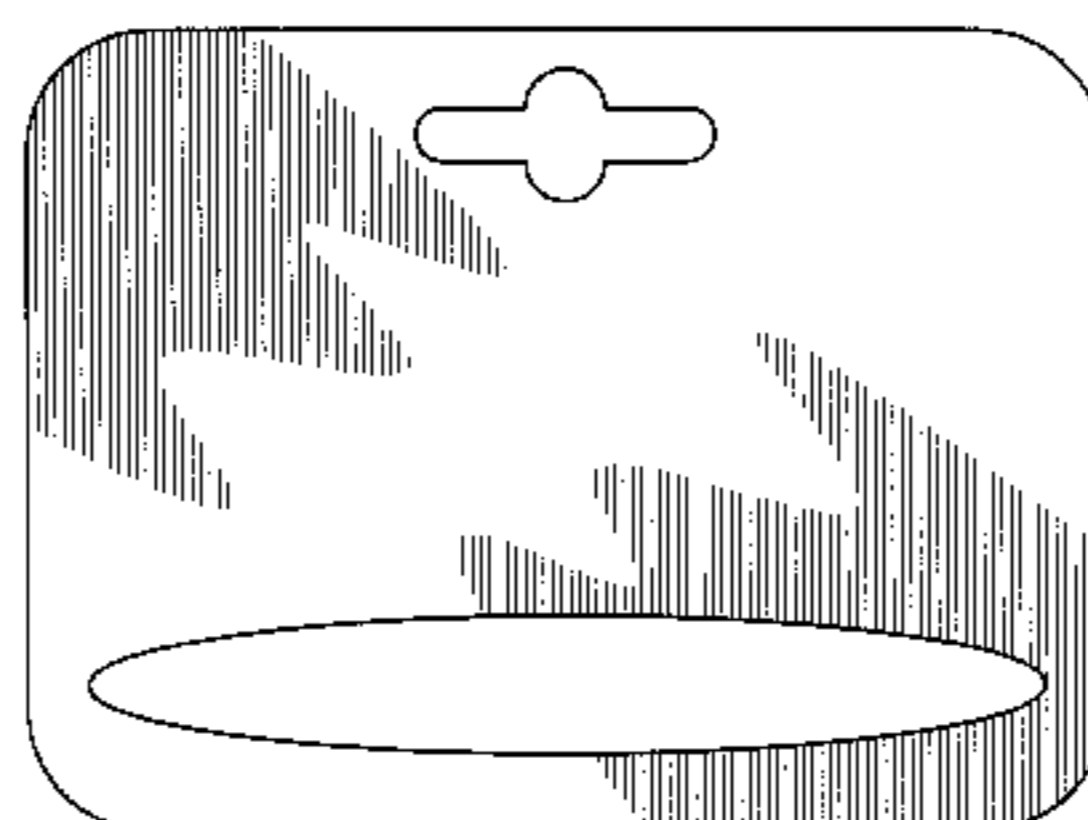
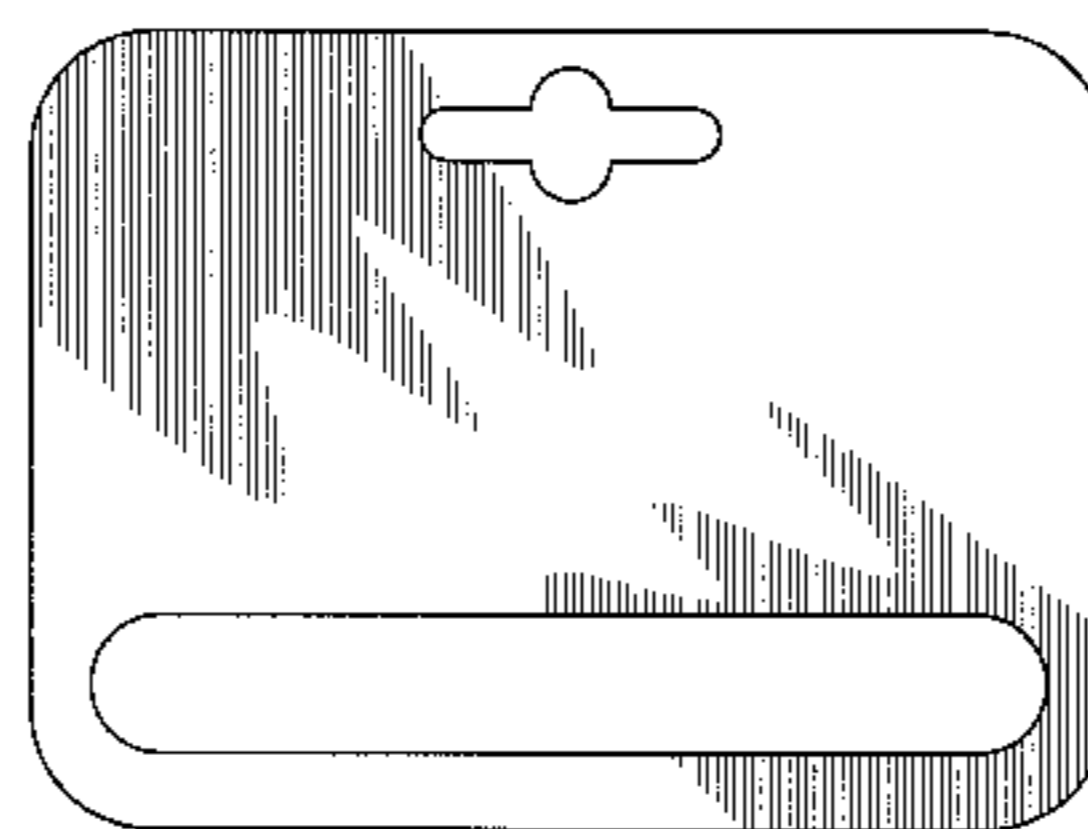
The matter shown in phantom lines in FIG. 1 is for illustrative purposes only and forms no part of the claimed design.

1 Claim, 3 Drawing Sheets

(56) **References Cited**

U.S. PATENT DOCUMENTS

1,317,241 A * 9/1919 Tharp 223/87
1,510,915 A * 10/1924 Bartholdi 223/87
1,636,972 A * 7/1927 Ward et al. 223/87
1,663,573 A * 3/1928 Tharp 223/87
2,488,973 A * 11/1949 Hall 223/87
2,626,735 A * 1/1953 Gwinn et al. 223/87
3,065,946 A 11/1962 Berkow
3,241,733 A 3/1966 Tillery
3,246,812 A 4/1966 Walker et al.
3,458,093 A * 7/1969 Bacharach 223/87
3,635,331 A * 1/1972 Zucker 206/469
3,650,442 A * 3/1972 Berns et al. 223/87
3,790,046 A 2/1974 Rigel et al.
3,945,500 A 3/1976 Meckstroth
D266,829 S * 11/1982 Yoshizawa et al. D9/415
4,932,571 A 6/1990 Blanchard
D323,069 S * 1/1992 Leese D6/315
5,123,577 A 6/1992 Kolton et al.
D342,613 S * 12/1993 Ackerman D6/315
D343,122 S * 1/1994 Harper D9/457



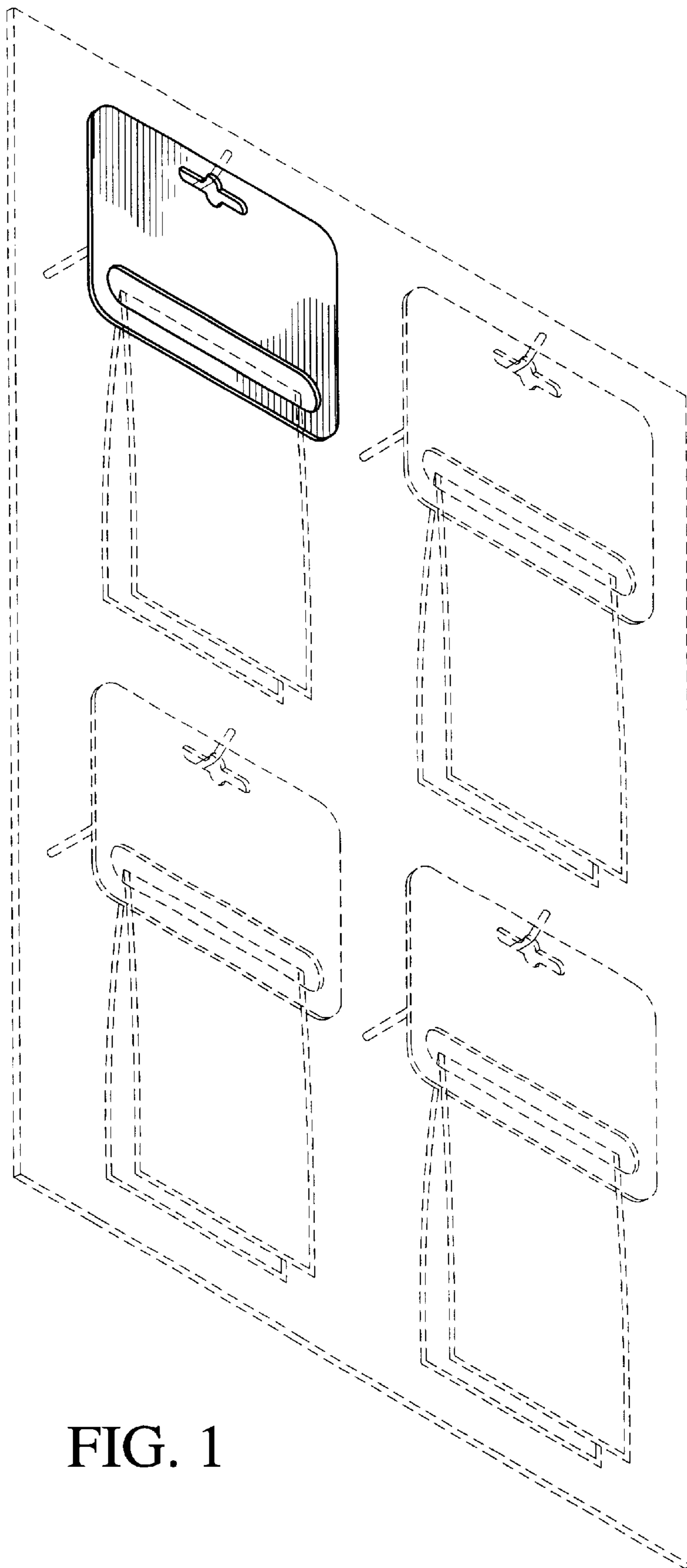


FIG. 1

FIG. 2



FIG. 3

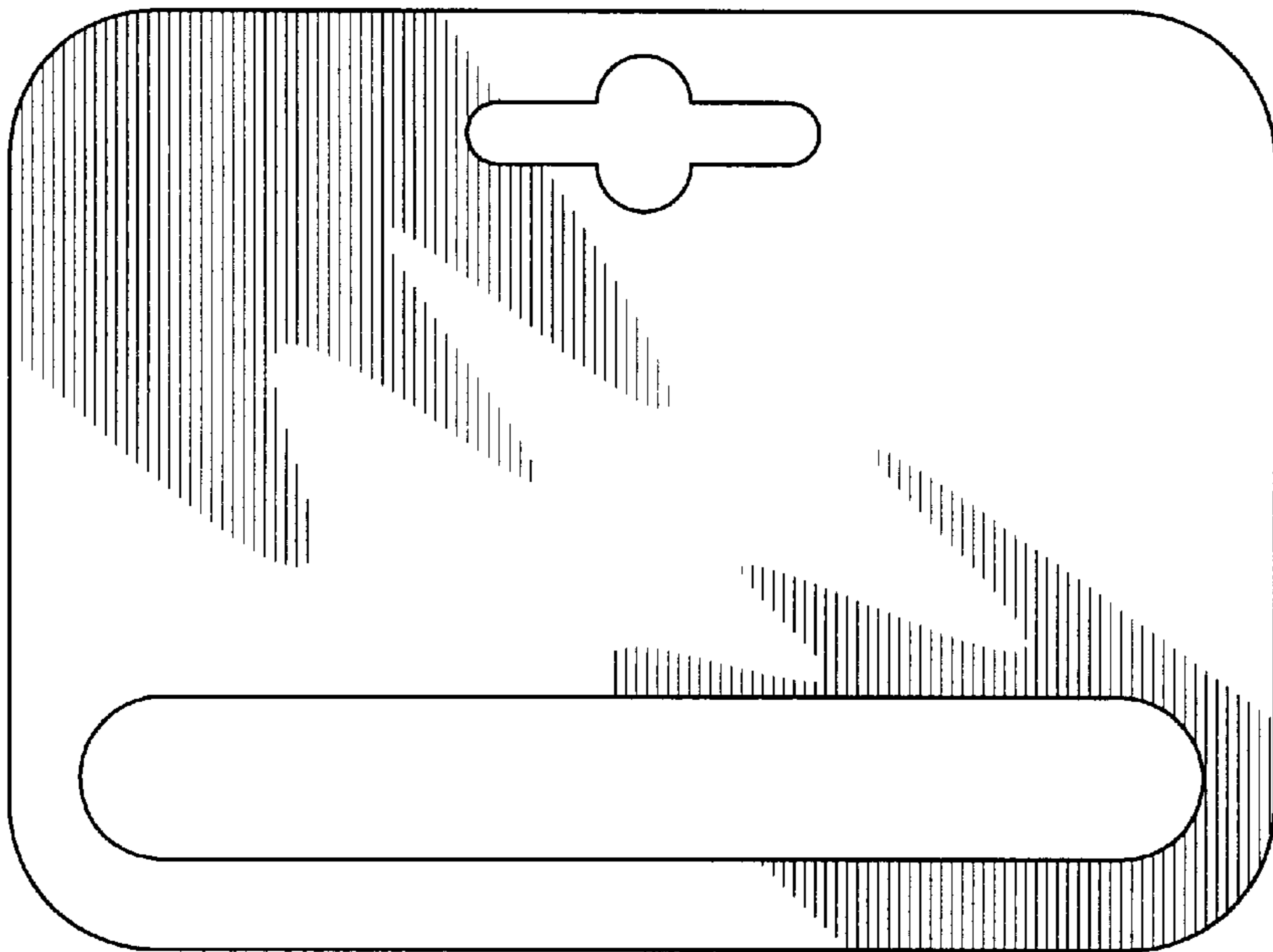
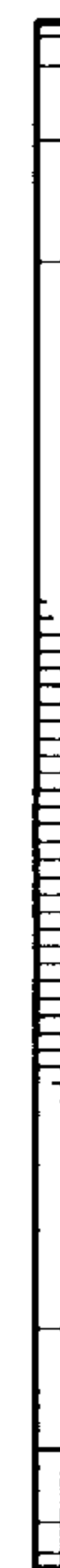


FIG. 4



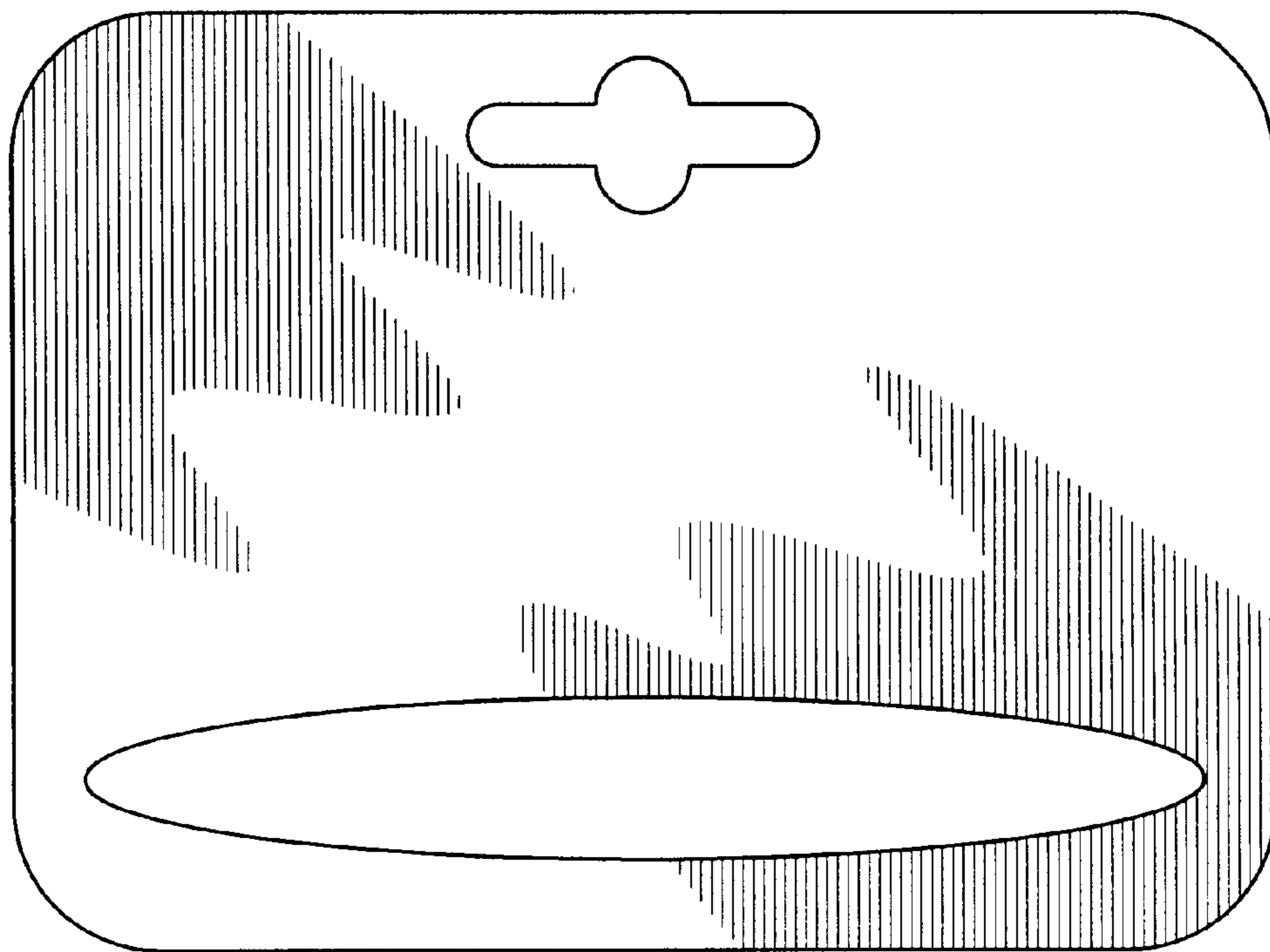


FIG. 5