



US00D517911S

(12) **United States Design Patent**
Alexander et al.

(10) **Patent No.:** **US D517,911 S**

(45) **Date of Patent:** **** Mar. 28, 2006**

(54) **DVD CARD HOLDER**

(76) Inventors: **Alexandra Helen Warwick Alexander**,
4 Ninian Park, Ninian Way, Tamworth,
Staffordshire B77 5ES (GB); **Paul**
James Keeton, 4, Ninian Park, Ninian
Way, Tamworth B77 5ES (GB)

(**) **Term:** **14 Years**

(21) **Appl. No.:** **29/191,389**

(22) **Filed:** **Oct. 7, 2003**

(51) **LOC (8) Cl.** **14-99**

(52) **U.S. Cl.** **D9/433**

(58) **Field of Classification Search** D9/432,
D9/433, 423, 420, 414, 737, 422, 418; D3/218;
206/387.1, 773, 387.13, 457, 472, 308.1;
229/240; 220/4.23

See application file for complete search history.

(56) **References Cited**

U.S. PATENT DOCUMENTS

2,285,991 A * 6/1942 Sidney 206/773

D268,098 S * 3/1983 Brown D9/418
D339,063 S * 9/1993 Simon D9/433
D339,287 S * 9/1993 Levin D9/737
D372,670 S * 8/1996 Healey D9/422
5,772,018 A * 6/1998 Walch 206/308.1
D398,527 S * 9/1998 Maceachern et al. D9/432
5,921,386 A * 7/1999 Smith 206/308.1
D420,586 S * 2/2000 MacEachern et al. D9/432

* cited by examiner

Primary Examiner—Stella Reid

Assistant Examiner—Mark A. Goodwin

(74) *Attorney, Agent, or Firm*—Collen IP; Donald J. Ranft

(57) **CLAIM**

The ornamental design for a DVD card holder, as shown and described.

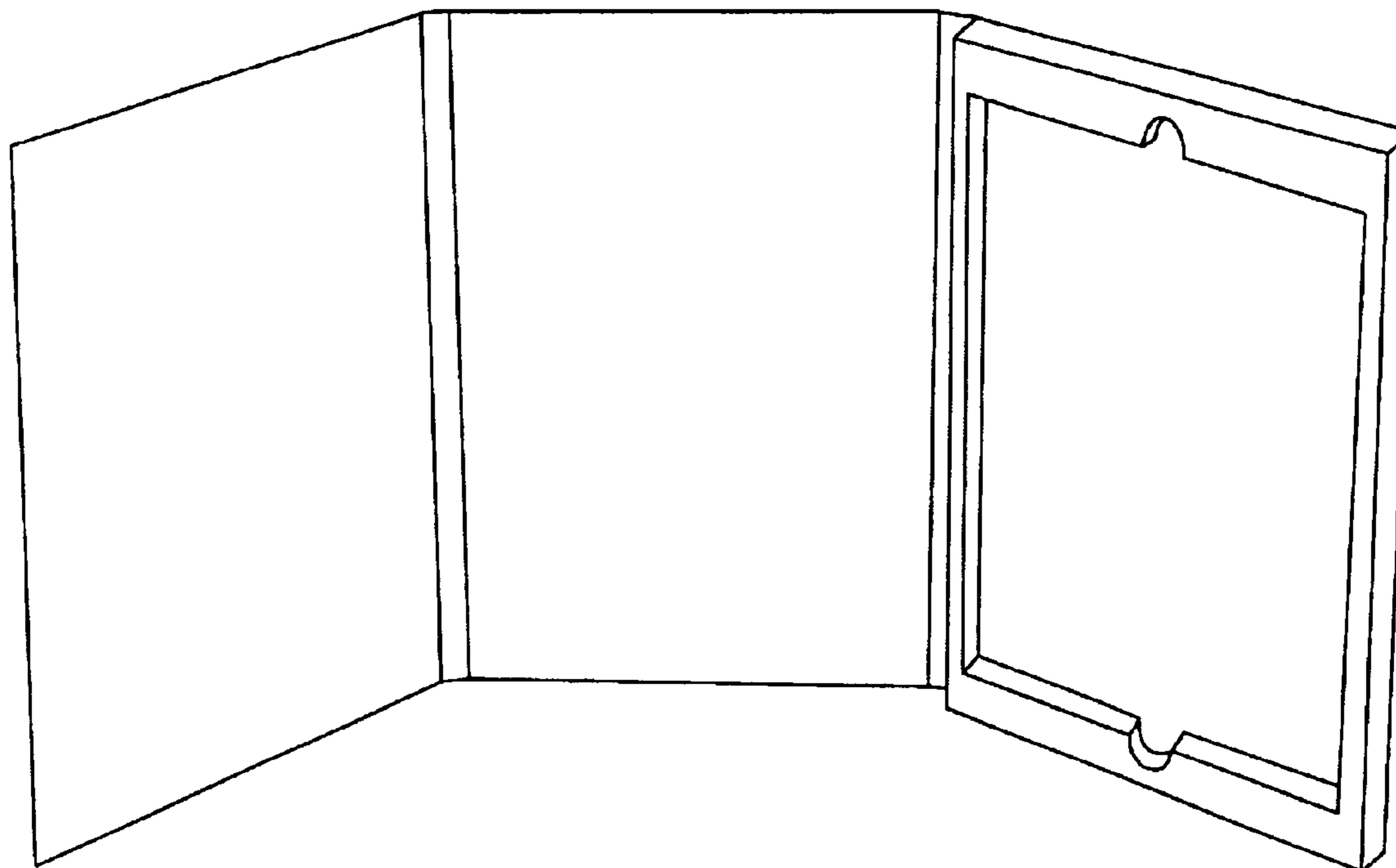
DESCRIPTION

FIG. 1 is a front view of a DVD card holder showing my new design in opened condition.

FIG. 2 is a top front view thereof; and,

FIG. 3 is a top back view thereof.

1 Claim, 3 Drawing Sheets



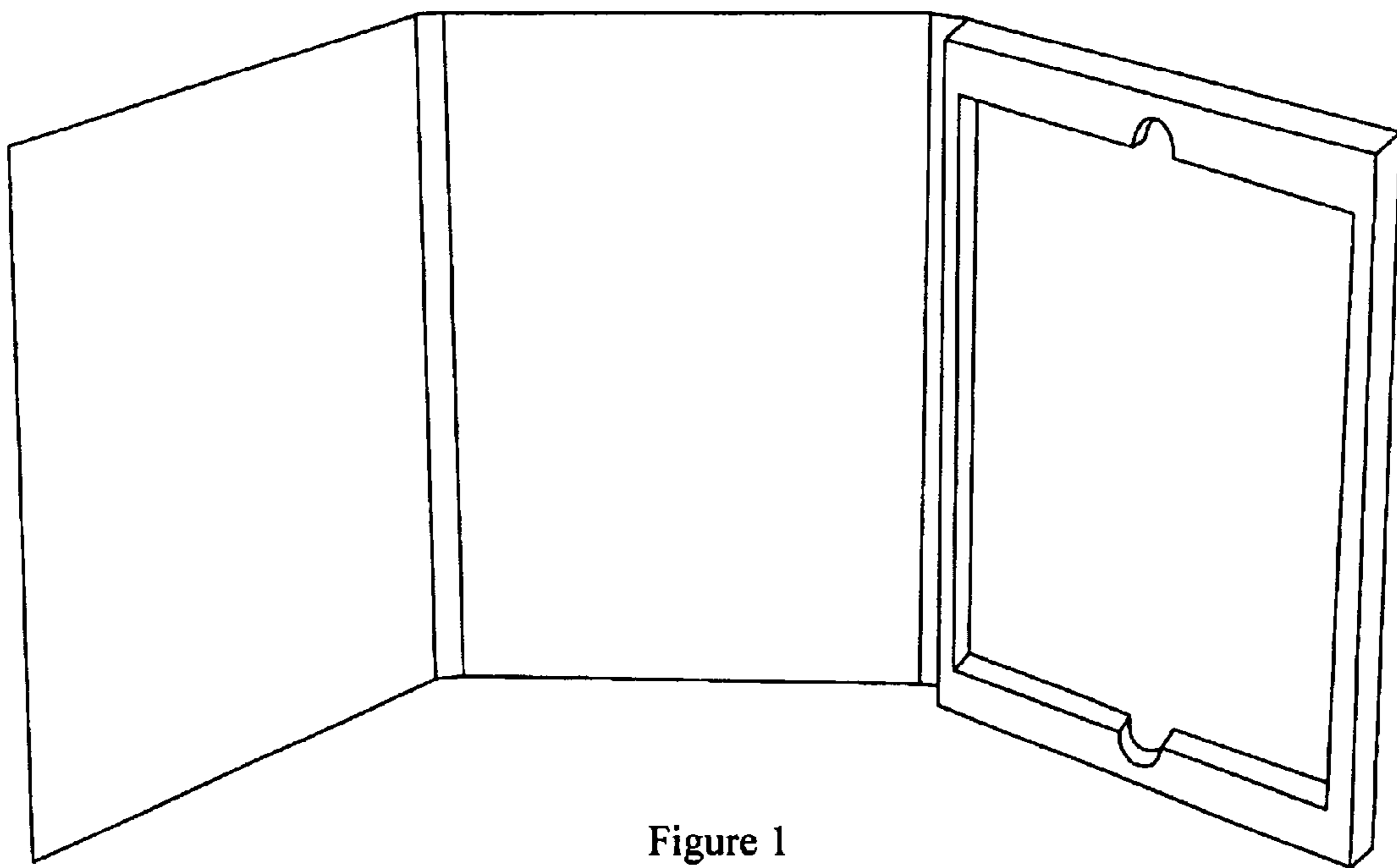


Figure 1

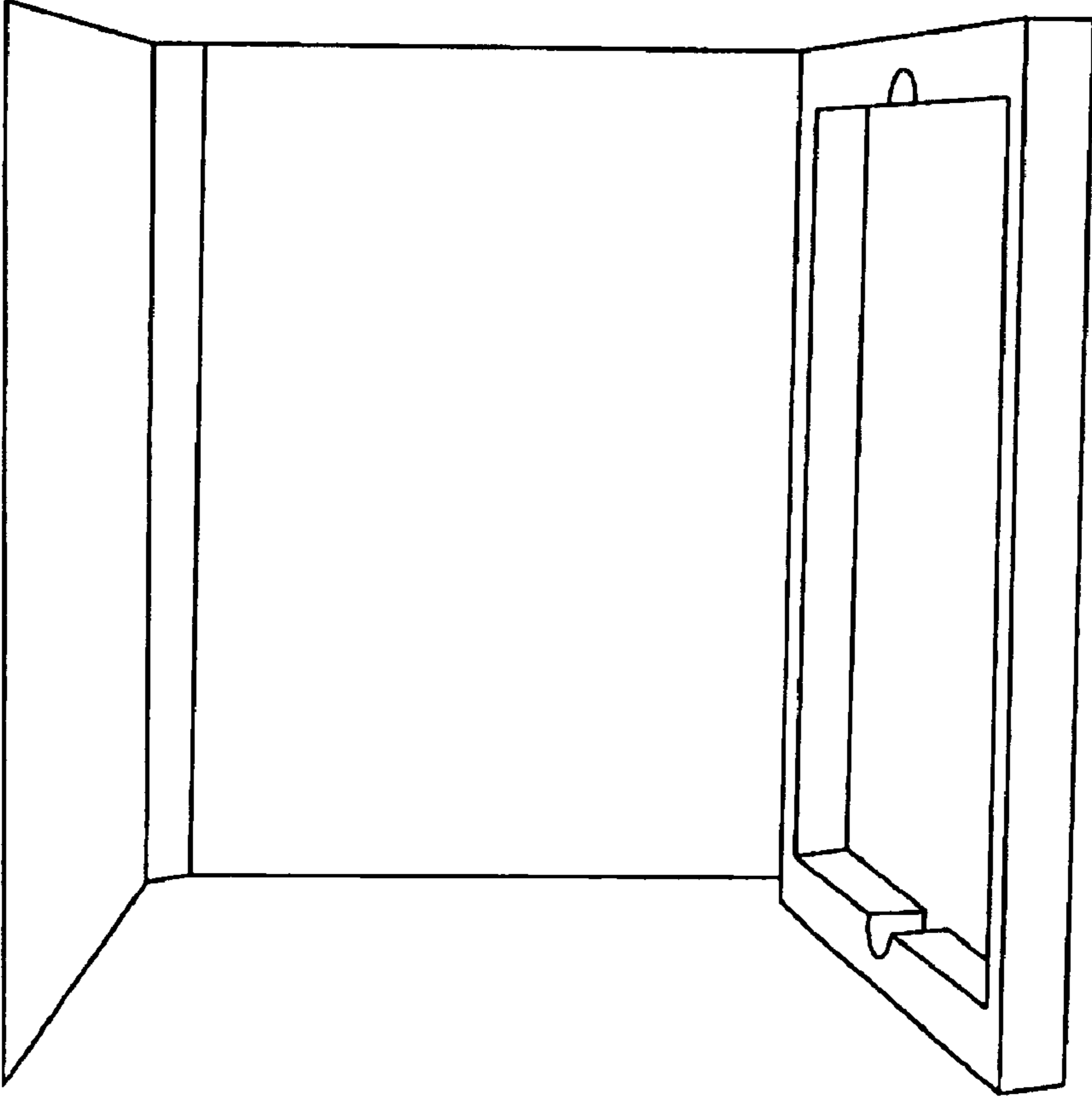


Figure 2

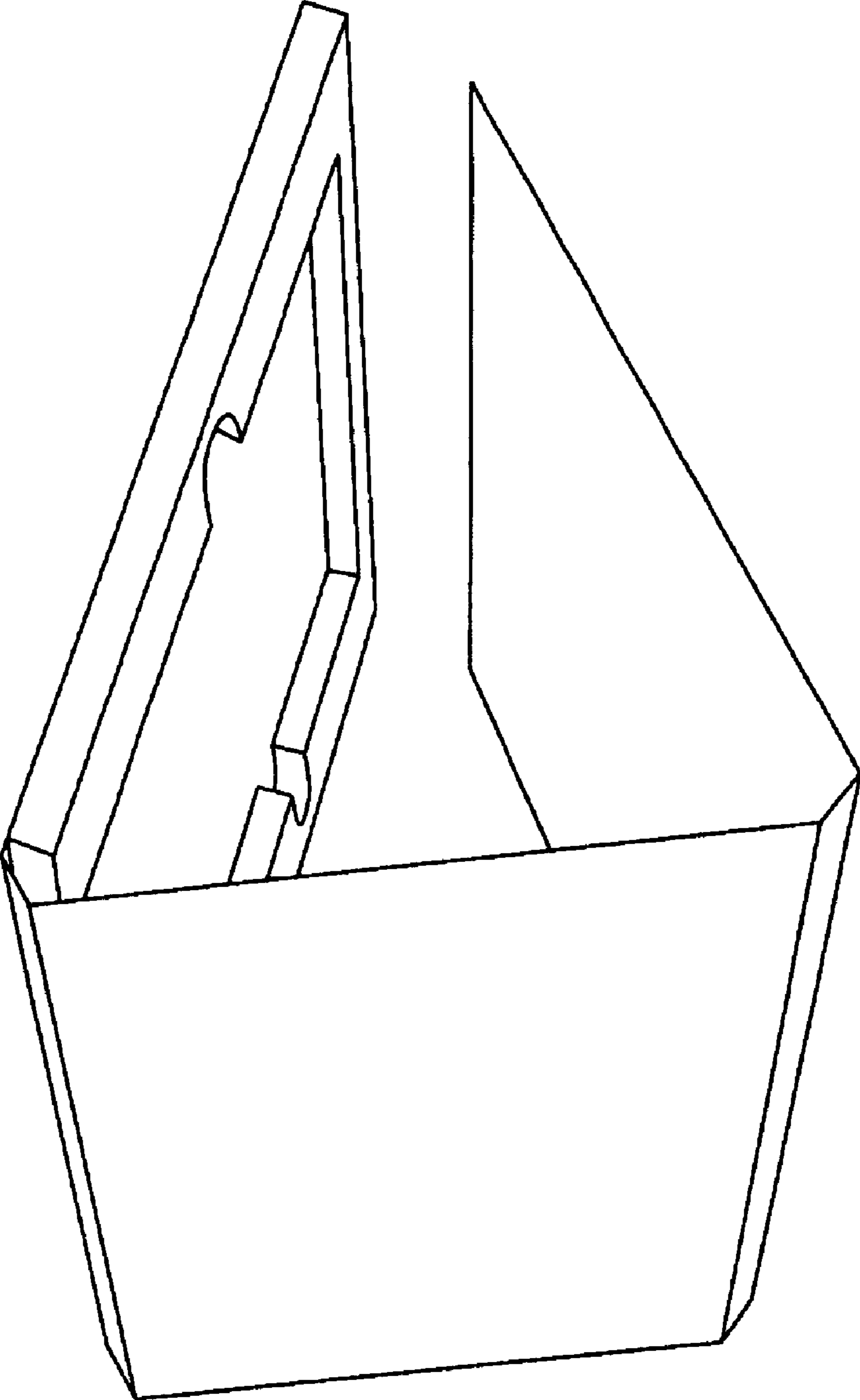


Figure 3