



US00D517909S

(12) **United States Design Patent**  
**Kent et al.**

(10) **Patent No.: US D517,909 S**

(45) **Date of Patent: \*\* Mar. 28, 2006**

(54) **PACKAGE**

D485,752 S \* 1/2004 Milan ..... D9/415  
D503,882 S \* 4/2005 Milan ..... D9/415

(75) Inventors: **Michael Kent**, Cumberland, RI (US);  
**William D. Hester**, Meriden, CT (US)

\* cited by examiner

(73) Assignee: **Staples the Office Superstore, LLC**,  
Framingham, MA (US)

*Primary Examiner*—Prabhakar Deshmukh  
(74) *Attorney, Agent, or Firm*—Wolf, Greenfield & Sacks,  
P.C.

(\*\*) Term: **14 Years**

(57) **CLAIM**

(21) Appl. No.: **29/223,565**

The ornamental design for a package, as shown and  
described.

(22) Filed: **Feb. 15, 2005**

(51) **LOC (8) Cl.** ..... **09-07**

(52) **U.S. Cl.** ..... **D9/415; D9/418**

(58) **Field of Classification Search** ..... D9/415,  
D9/418, 414, 457; 206/461–471, 495, 806,  
206/349

See application file for complete search history.

**DESCRIPTION**

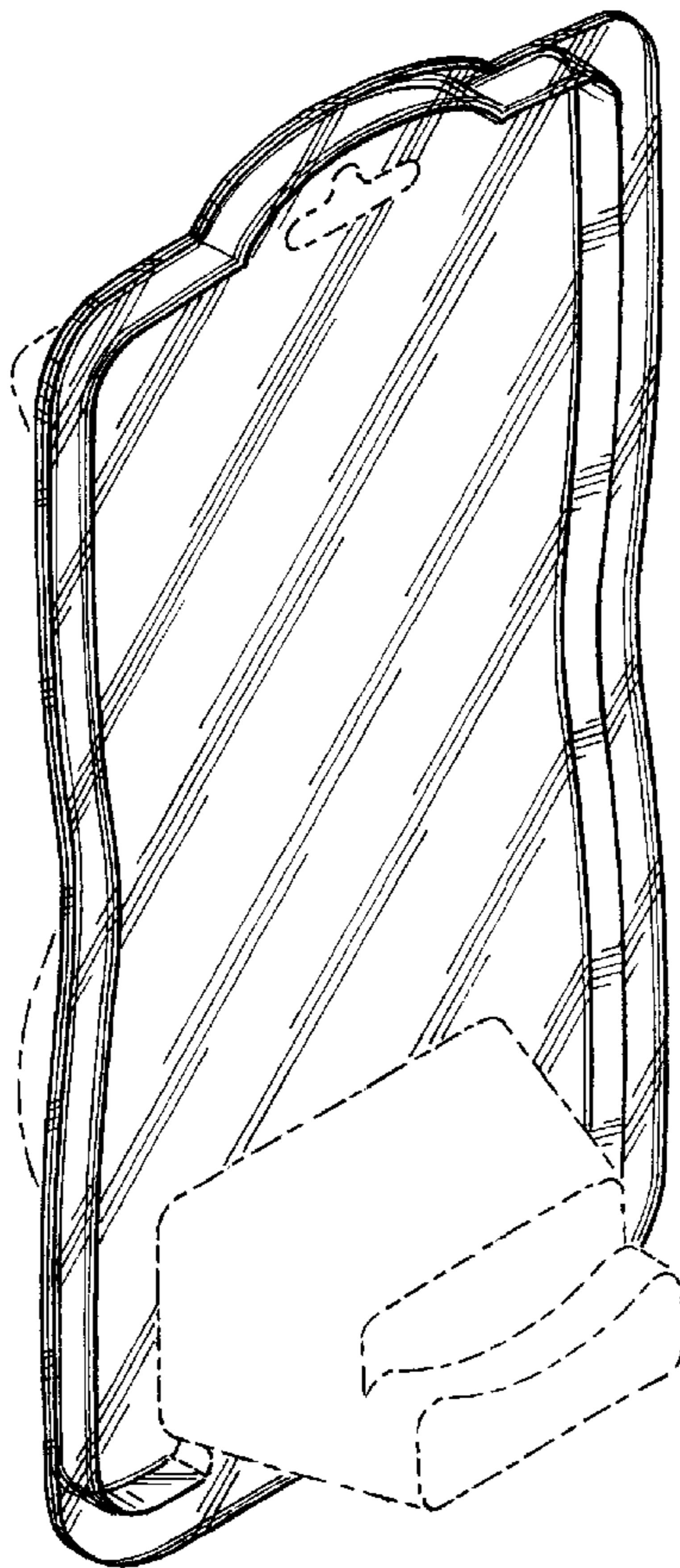
FIG. 1 is a top view of the package with internal raised  
portions and a hanging opening shown thereof in phantom;  
FIG. 2 is a left side view thereof, the right side view thereof  
being a mirror image thereof;  
FIG. 3 is a front view thereof with the package oriented in  
one direction;  
FIG. 4 is a rear view thereof with the package oriented in an  
opposite direction to that of FIG. 3;  
FIG. 5 is a bottom view thereof;  
FIG. 6 is a side, top, perspective view thereof; and,  
FIG. 7 is side, bottom perspective view thereof.  
The broken lines are for illustrative purpose only and form  
no part of the claimed design.

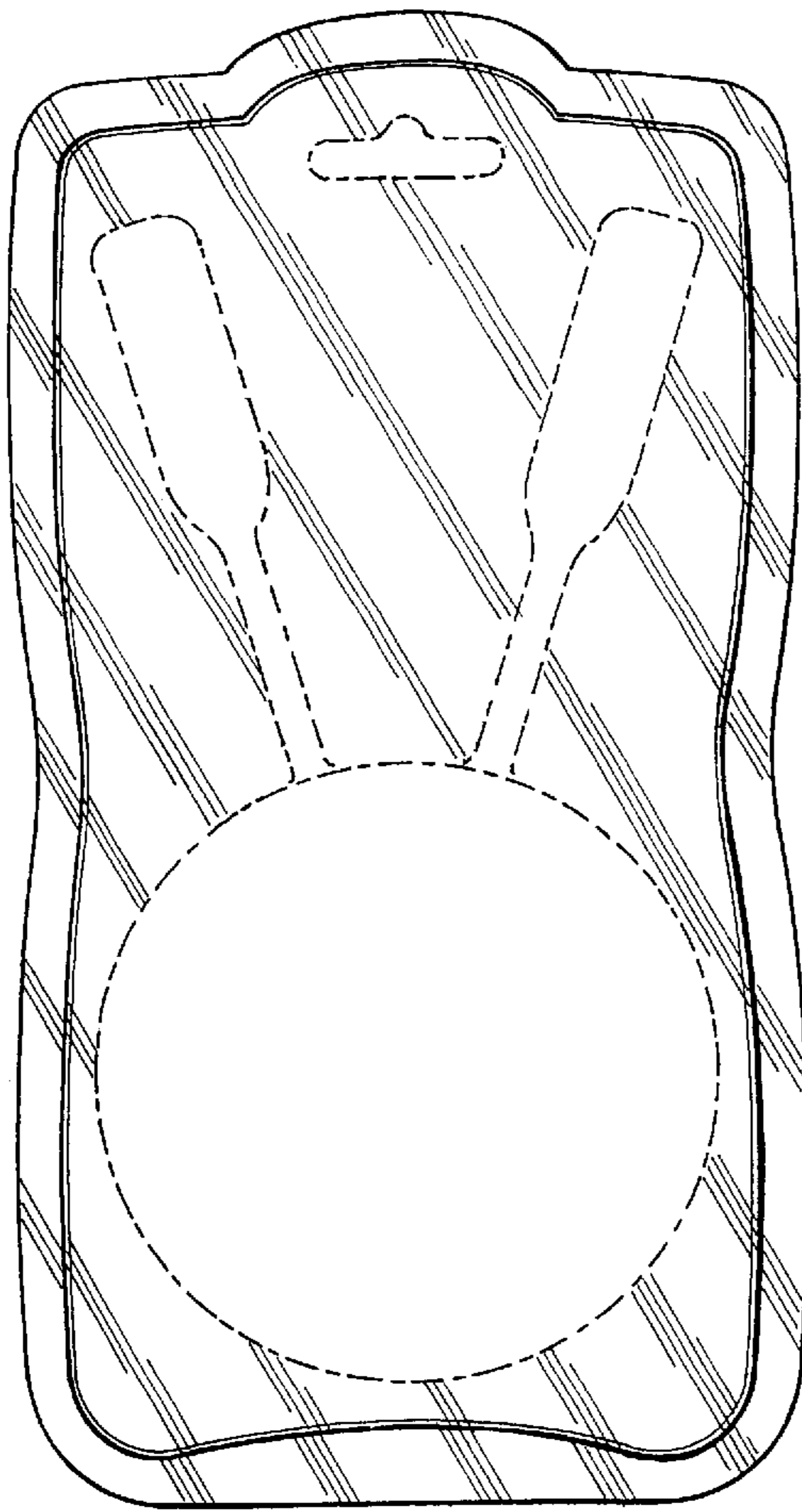
(56) **References Cited**

**U.S. PATENT DOCUMENTS**

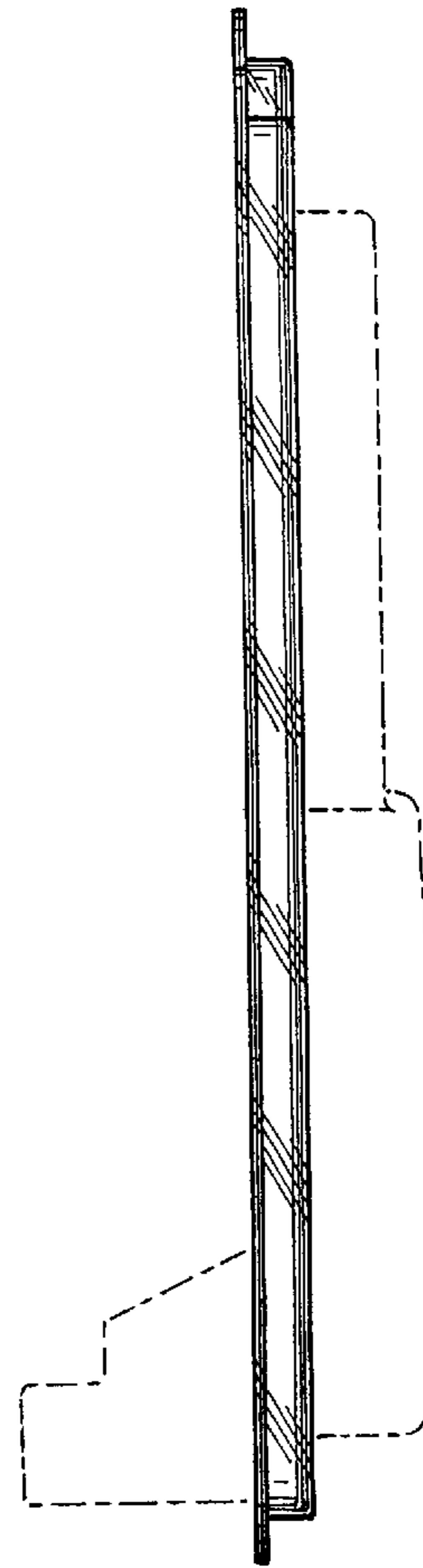
3,754,643 A \* 8/1973 Foster ..... 206/408  
4,637,516 A \* 1/1987 de Roure ..... 206/471  
4,781,289 A \* 11/1988 Perkins ..... 206/45.24  
D405,688 S \* 2/1999 Lee et al. .... D9/415  
D406,753 S \* 3/1999 Lee ..... D9/415  
5,875,893 A \* 3/1999 Lee et al. .... 206/463  
D453,901 S \* 2/2002 Shepperson ..... D9/418

**1 Claim, 3 Drawing Sheets**

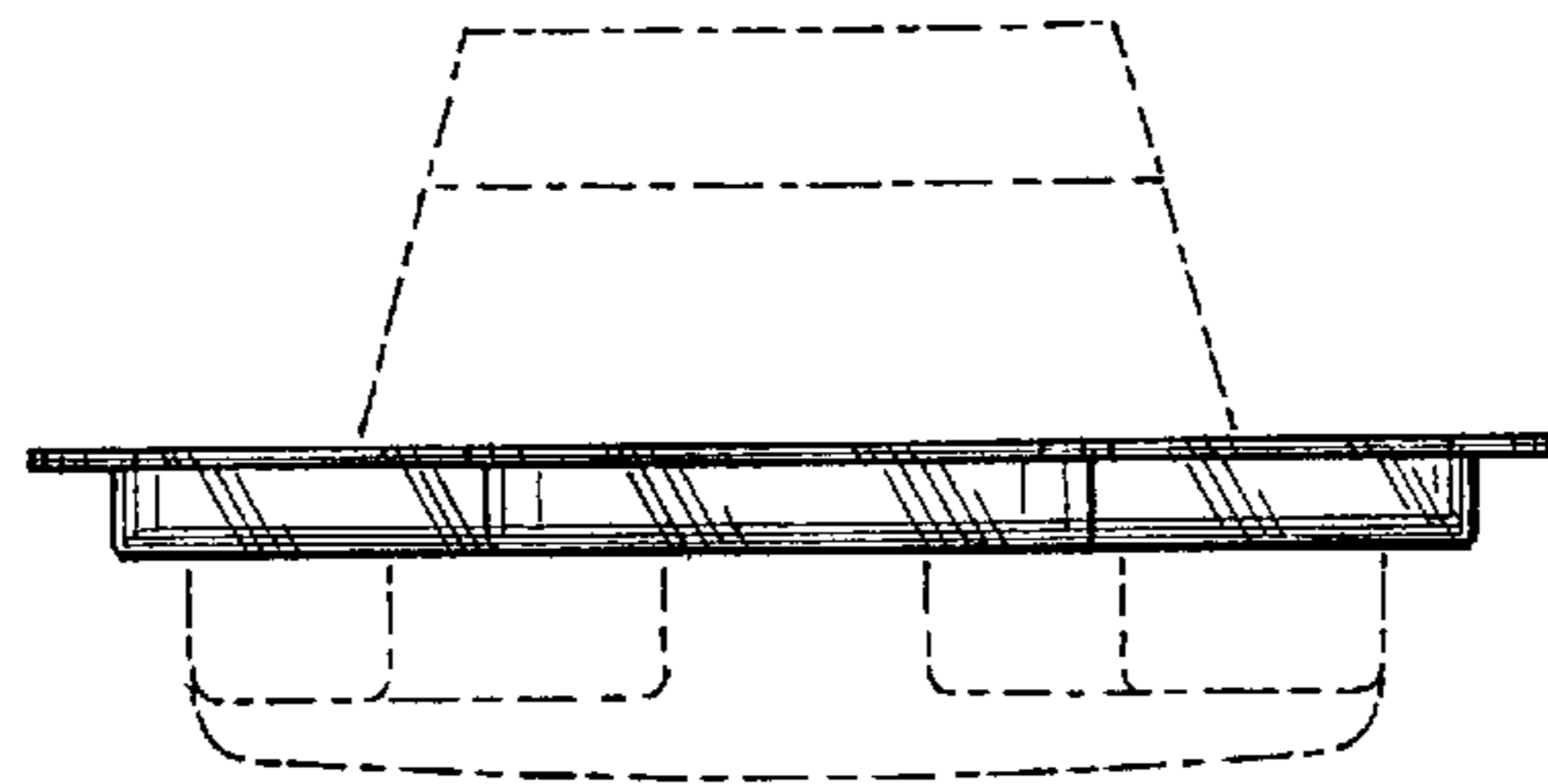




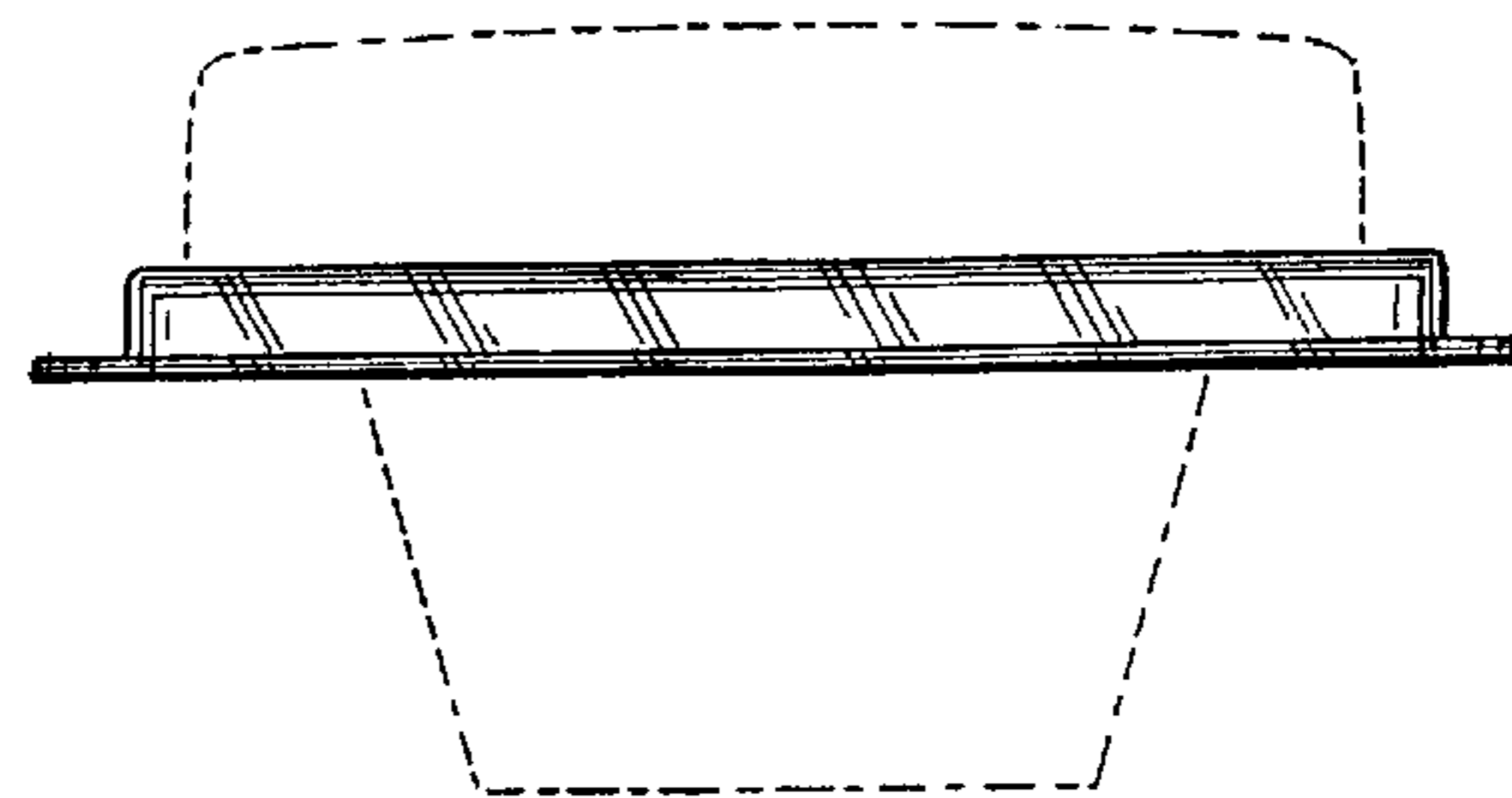
*Fig. 1*



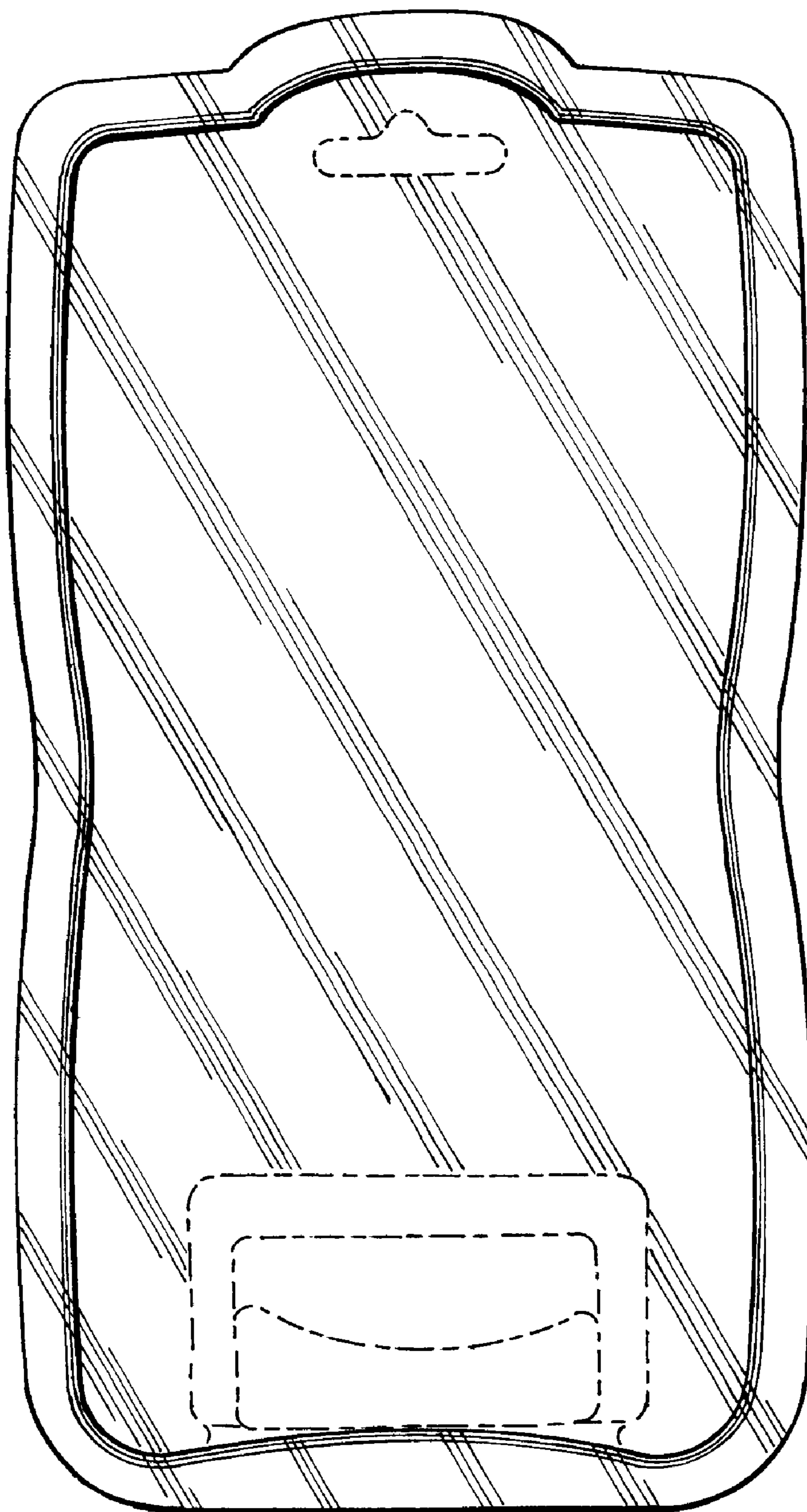
*Fig. 2*



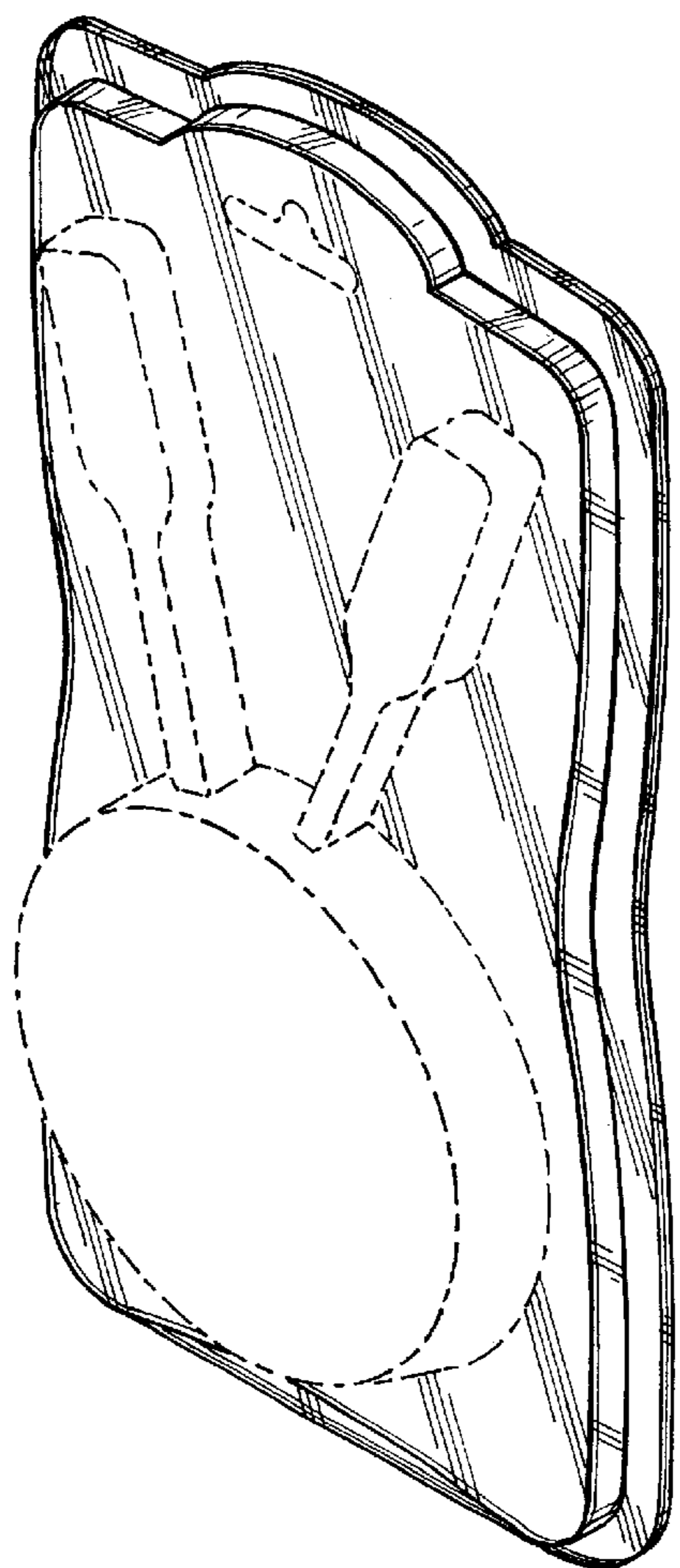
*Fig. 3*



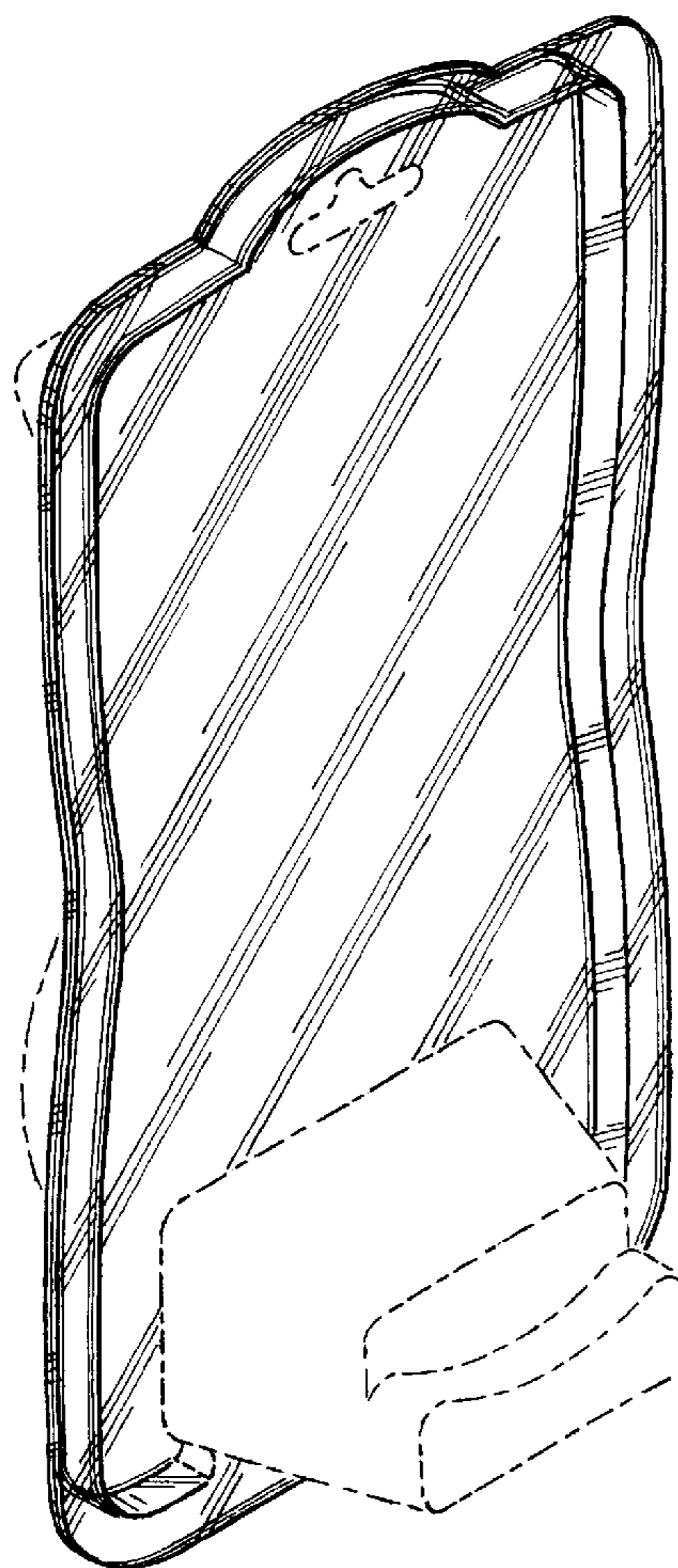
*Fig. 4*



*Fig. 5*



*Fig. 6*



*Fig. 7*