



US00D517908S

(12) **United States Design Patent**  
**Kent et al.**

(10) **Patent No.:** **US D517,908 S**  
(45) **Date of Patent:** **\*\* Mar. 28, 2006**

(54) **PACKAGE**

(75) Inventors: **Michael Kent**, Cumberland, RI (US);  
**William D. Hester**, Meriden, CT (US)

(73) Assignee: **Staples The Office Superstore, LLC**,  
Framingham, MA (US)

(\*\*) Term: **14 Years**

(21) Appl. No.: **29/222,310**

(22) Filed: **Jan. 27, 2005**

(51) **LOC (8) Cl.** ..... **09-07**

(52) **U.S. Cl.** ..... **D9/415; D9/418**

(58) **Field of Classification Search** ..... D9/415,  
D9/418, 414, 457; 206/461-471, 495, 806,  
206/349

See application file for complete search history.

(56) **References Cited**

**U.S. PATENT DOCUMENTS**

D192,707 S	*	5/1962	Kahn	.....	D9/415
D224,701 S	*	9/1972	Wright	.....	D9/528
D322,030 S	*	12/1991	Chument	.....	D9/415
5,279,417 A	*	1/1994	Seaton	.....	206/349
5,435,447 A	*	7/1995	Weatherford et al.	.....	206/349
5,622,258 A	*	4/1997	Baublitz et al.	.....	206/349

D441,286 S	*	5/2001	Clarke	.....	D9/415
D482,965 S	*	12/2003	Spiegel	.....	D9/415
D505,619 S	*	5/2005	Metaxatos	.....	D9/415
6,899,222 B1	*	5/2005	Jones et al.	.....	206/305

\* cited by examiner

*Primary Examiner*—Prabhakar Deshmukh

(74) *Attorney, Agent, or Firm*—Wolf, Greenfield & Sacks,  
P.C.

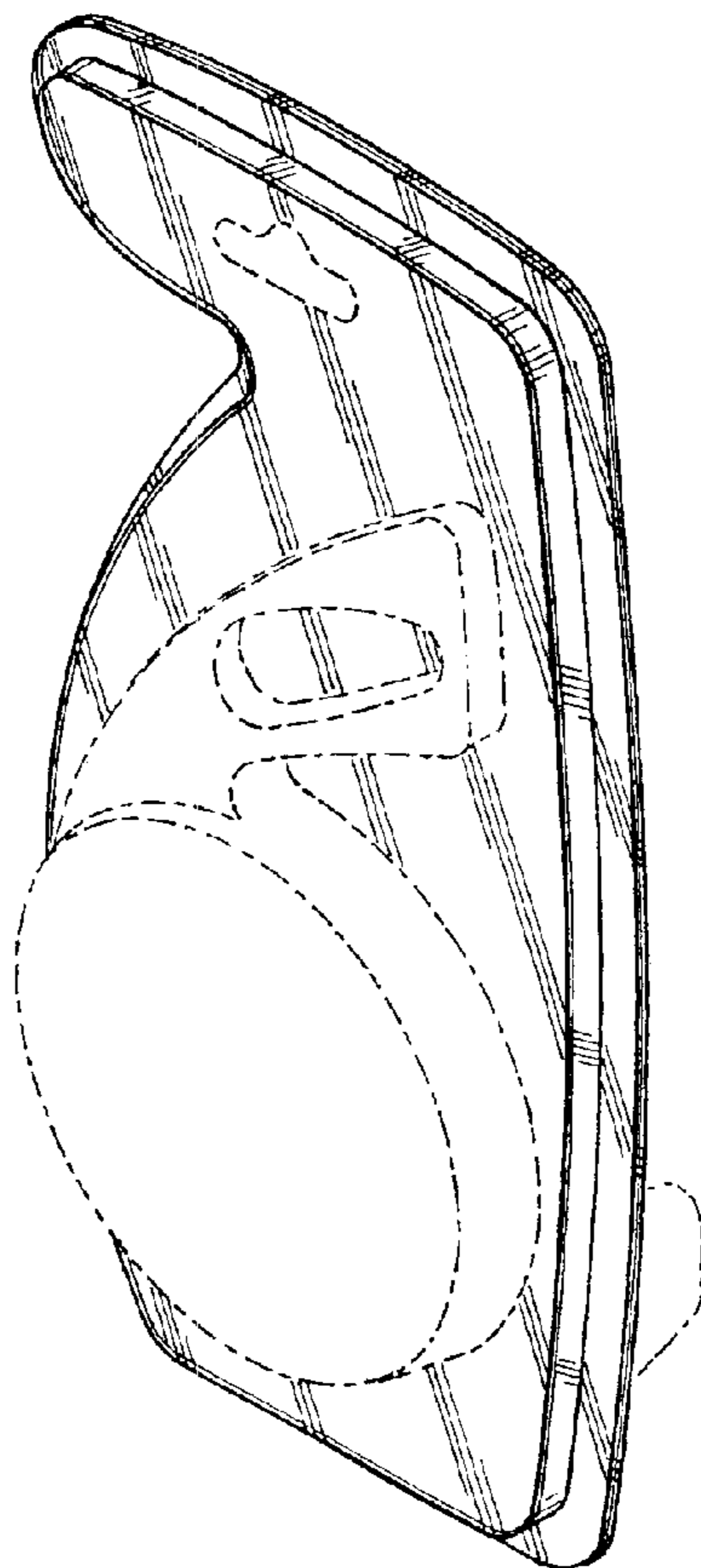
(57) **CLAIM**

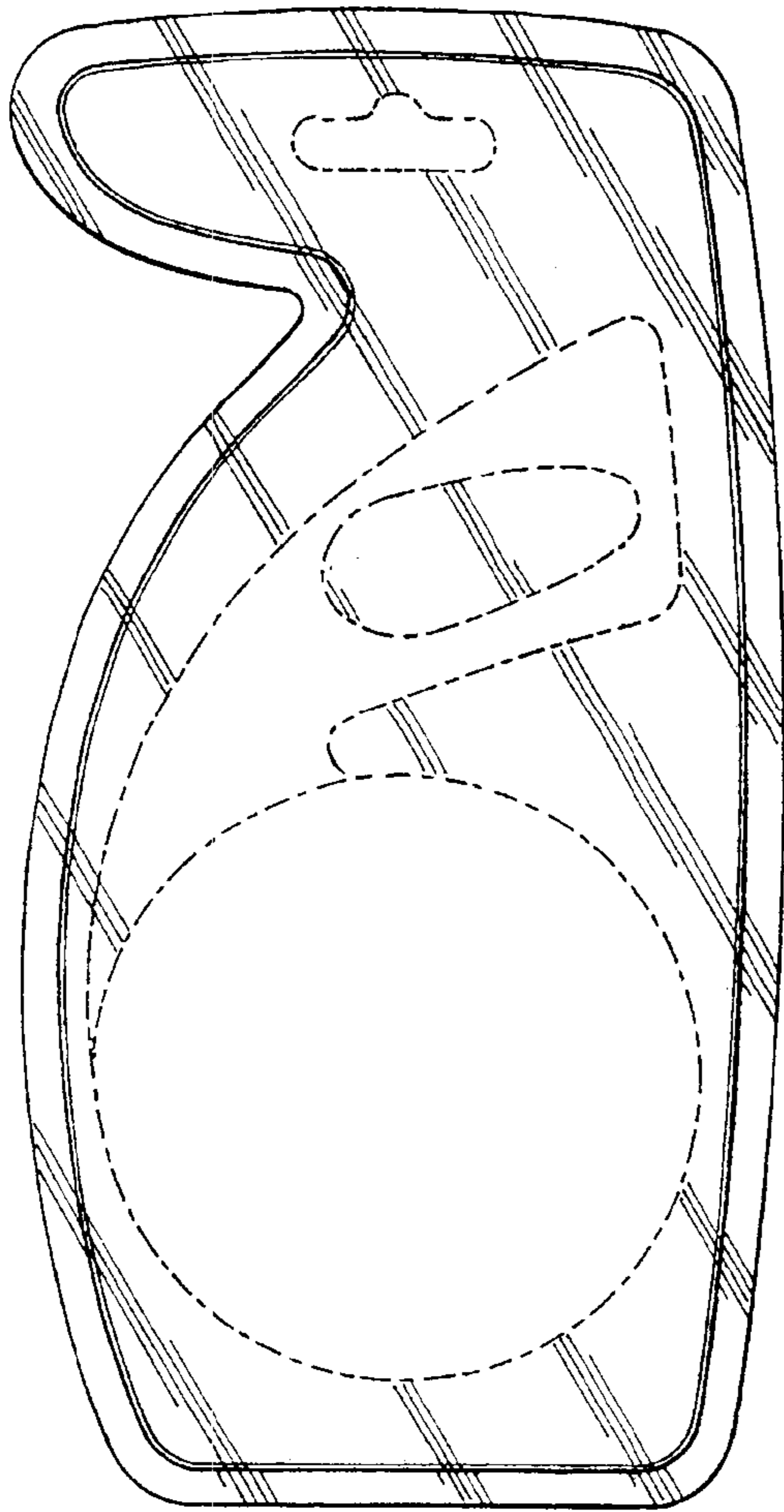
The ornamental design for a package, as shown and described.

**DESCRIPTION**

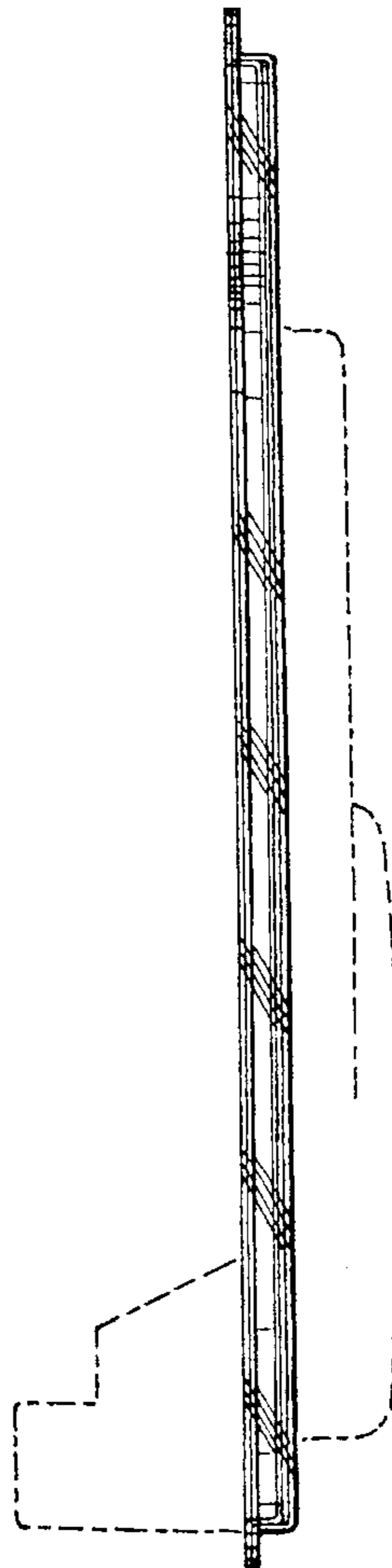
FIG. 1 is a top view of the package with internal raised portions and a hanging opening shown thereof in phantom; FIG. 2 is a left side view thereof; FIG. 3 is a right side view thereof; FIG. 4 is a front view thereof; FIG. 5 is a rear view thereof; FIG. 6 is a bottom view thereof; FIG. 7 is a side, top perspective view thereof; and, FIG. 8 is side bottom perspective view thereof. The broken lines are for illustrative purpose only and form no part of the claimed design.

**1 Claim, 3 Drawing Sheets**

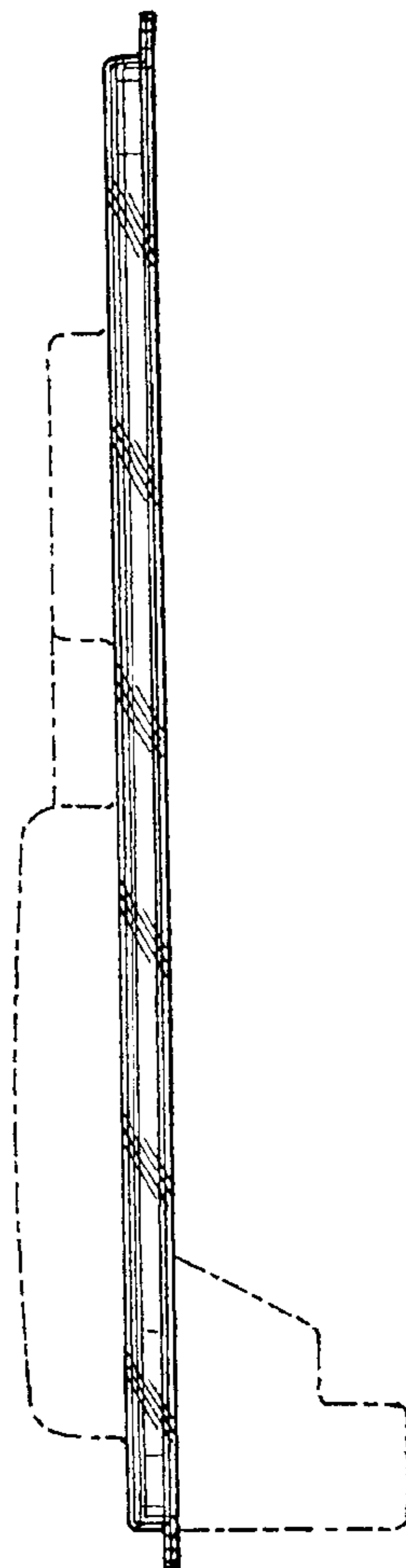




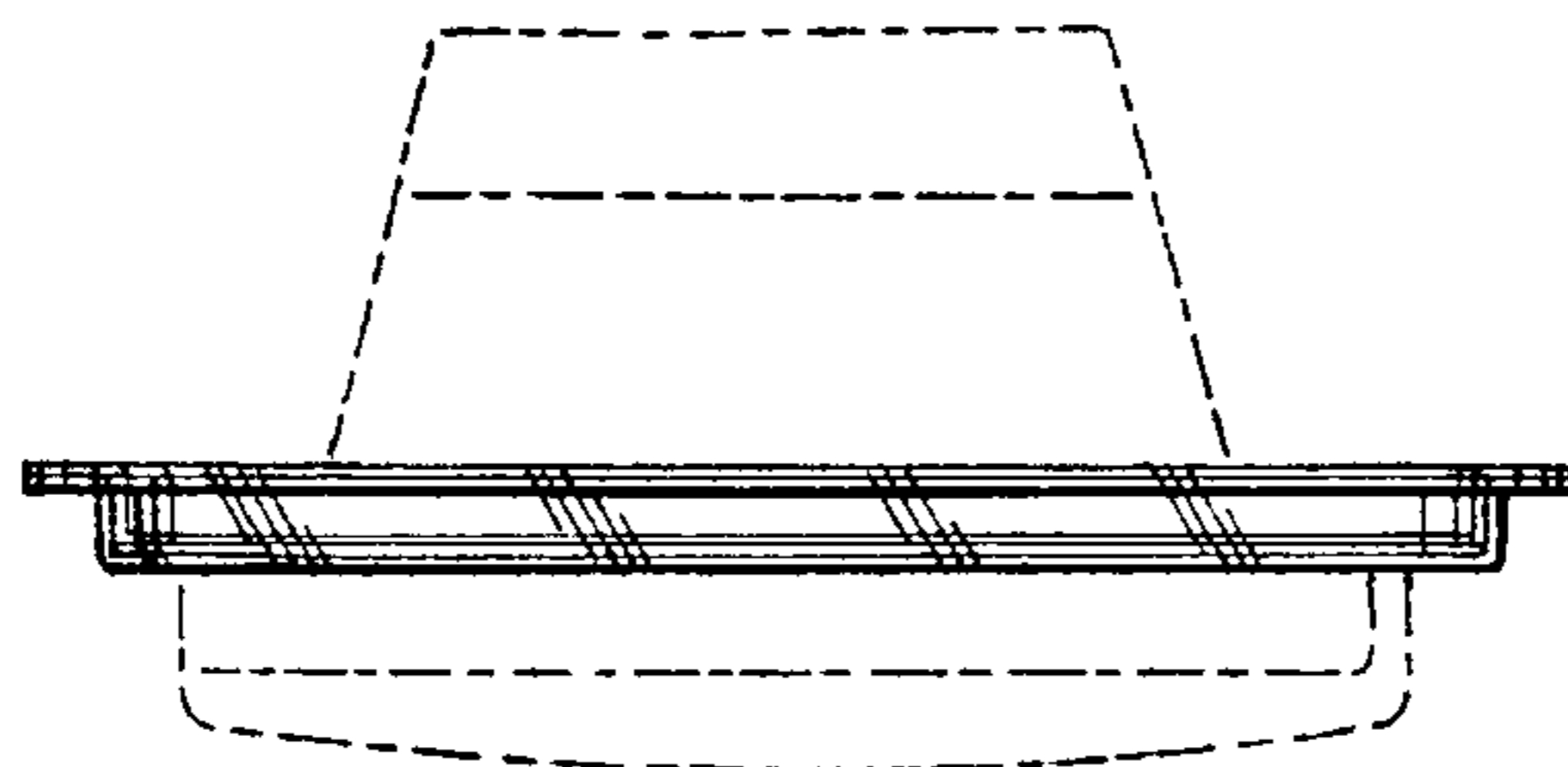
*Fig. 1*



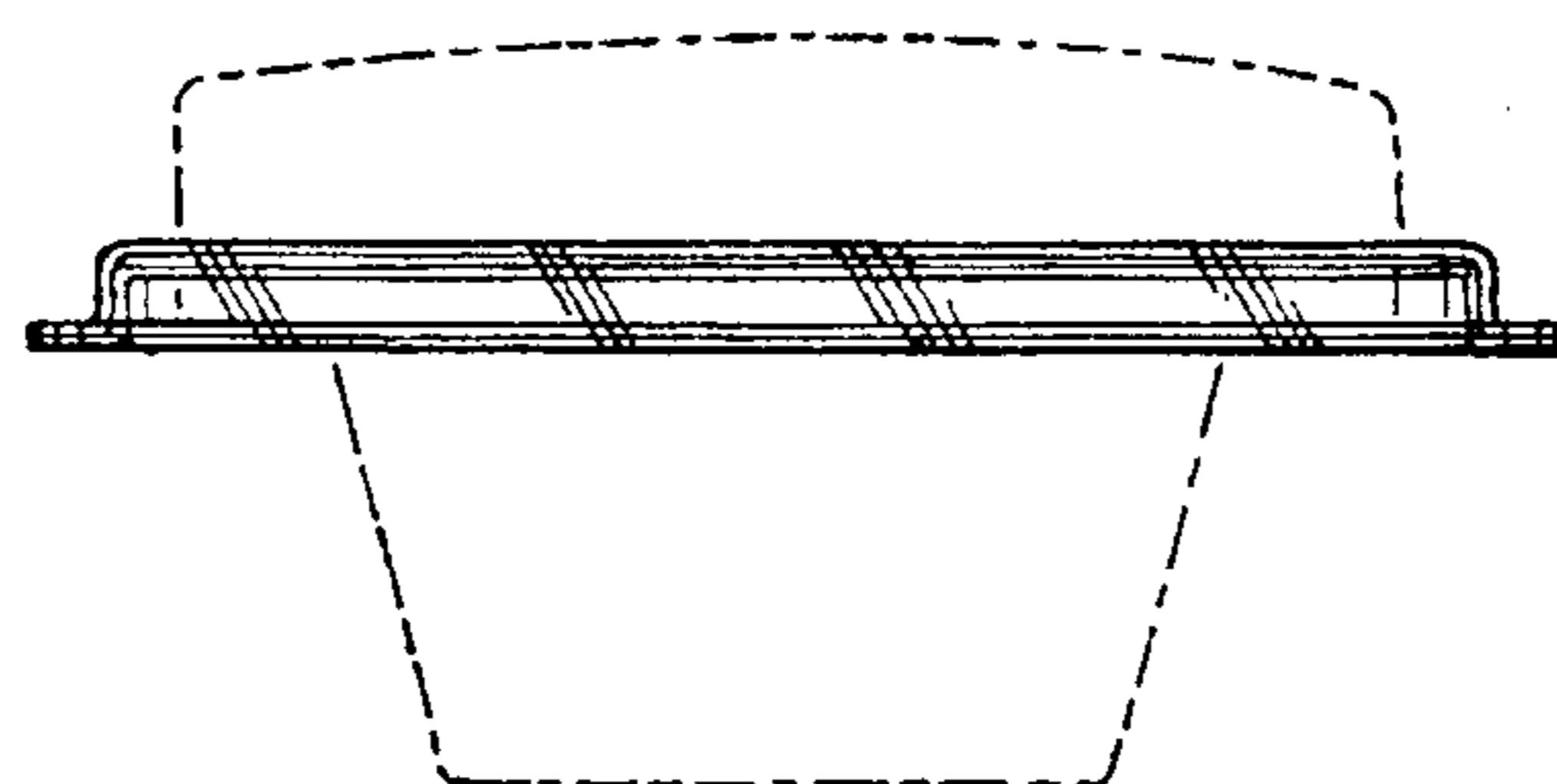
*Fig. 2*



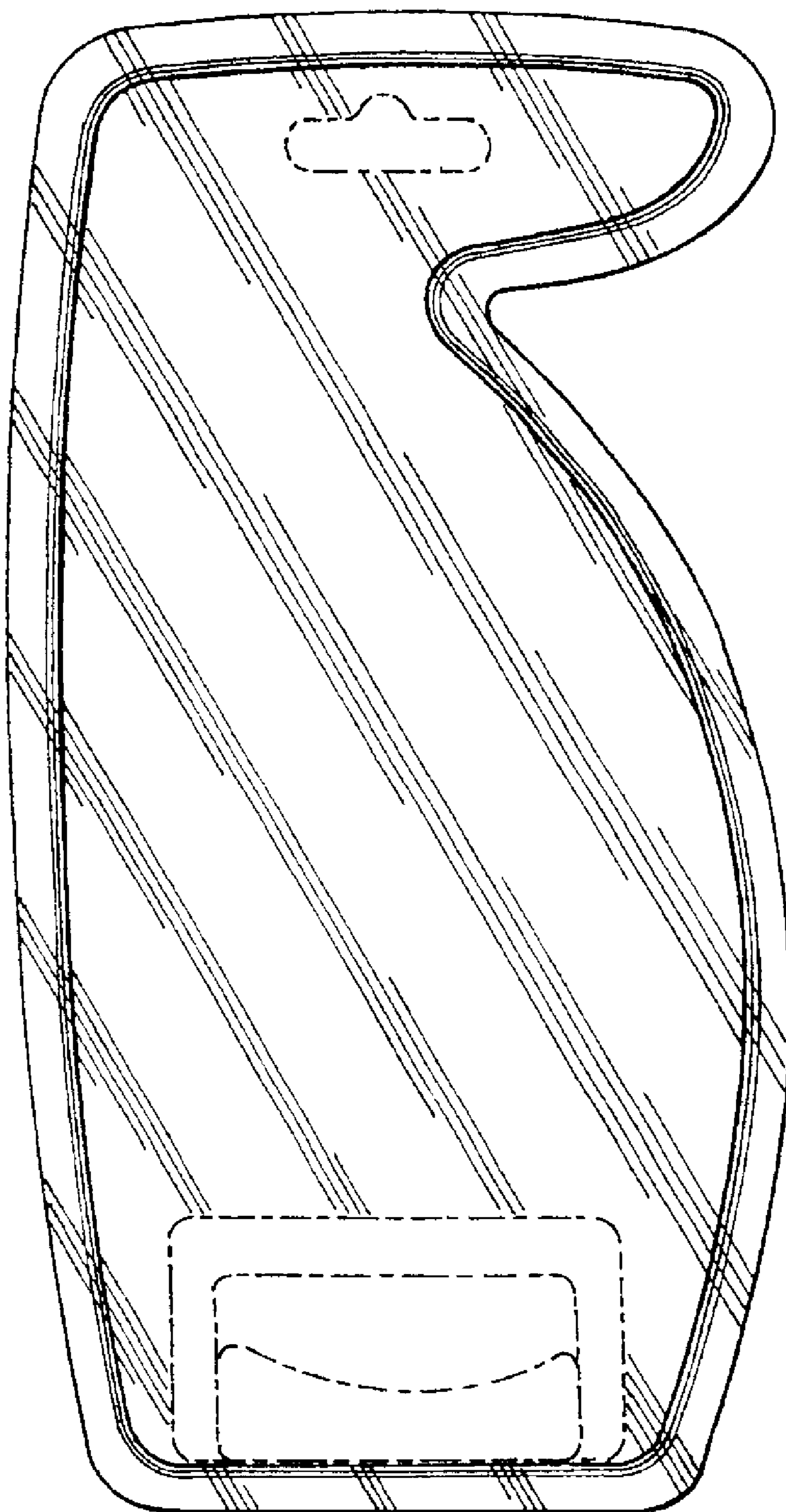
*Fig. 3*



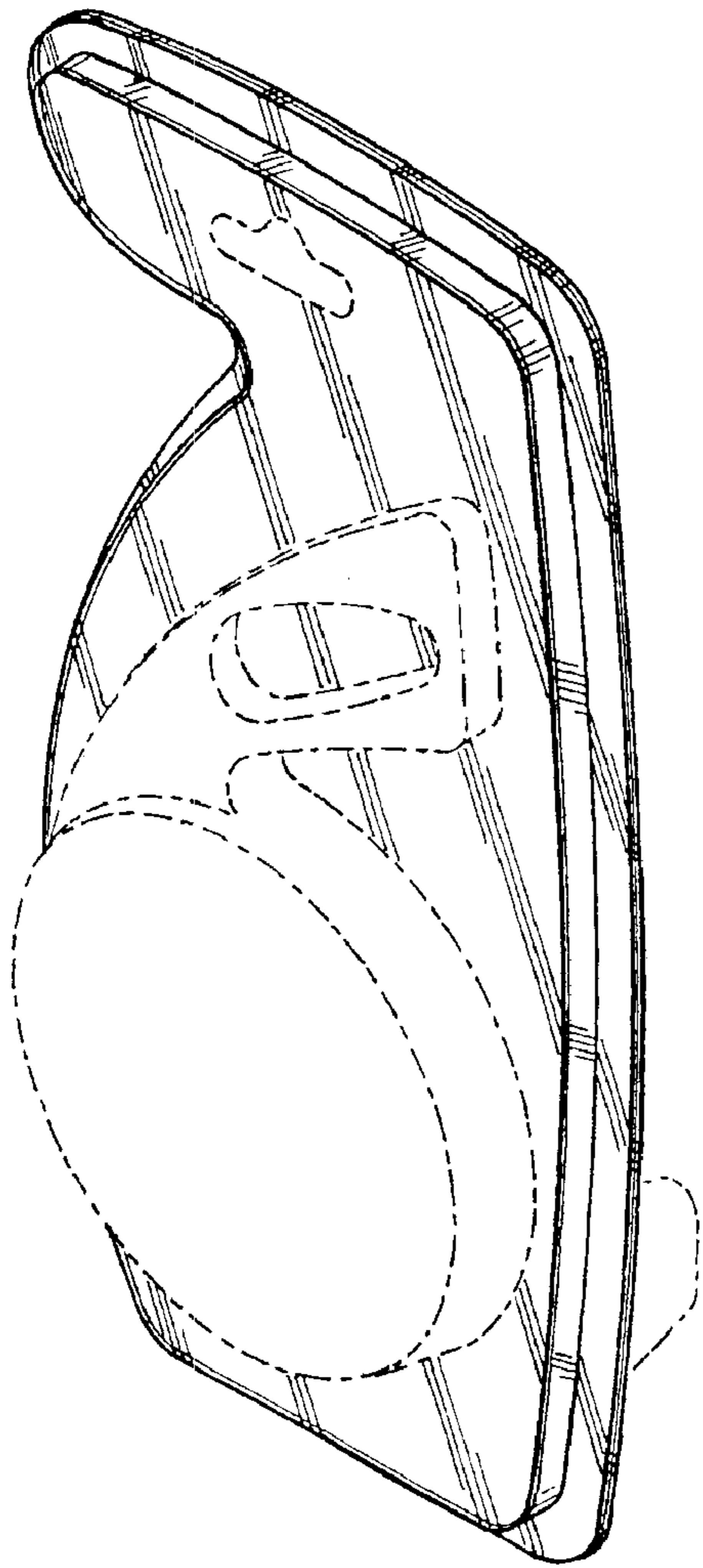
*Fig. 4*



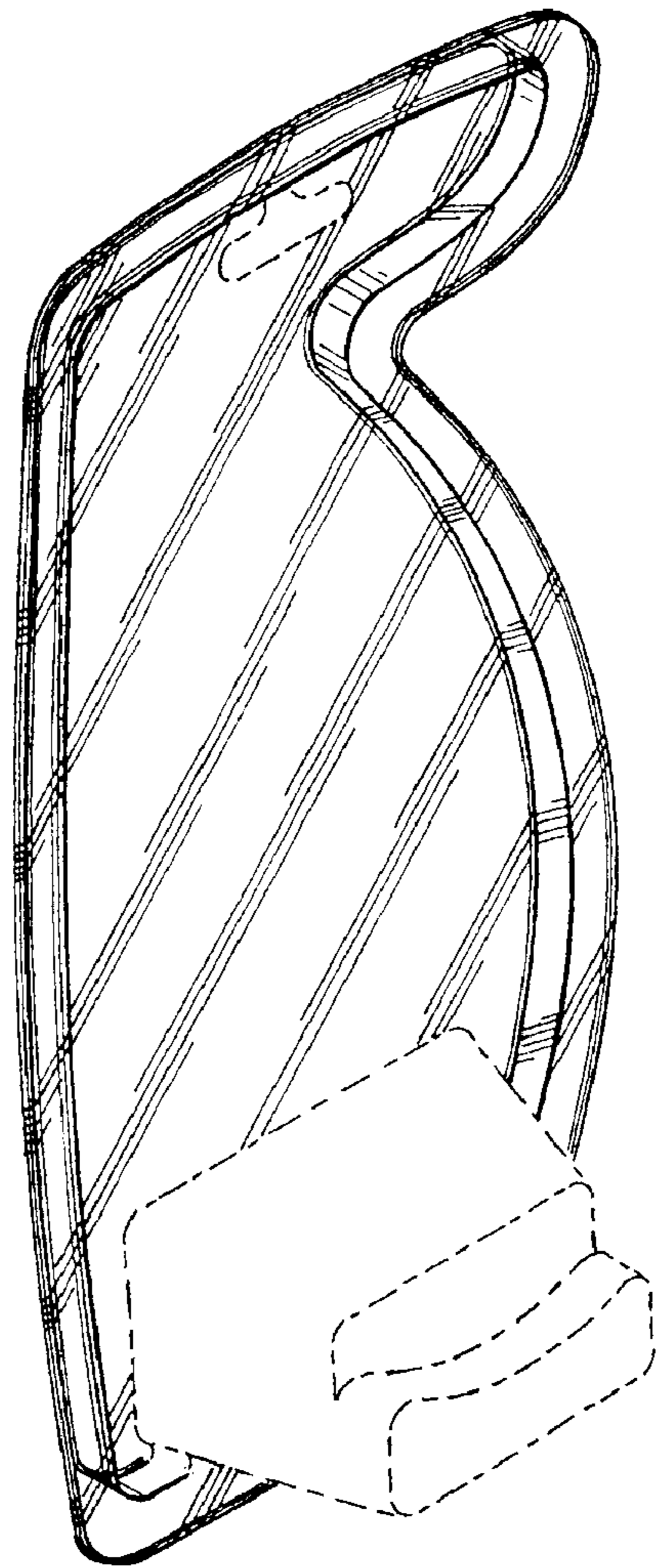
*Fig. 5*



*Fig. 6*



*Fig. 7*



*Fig. 8*