



US00D517907S

(12) **United States Design Patent**
Lee et al.

(10) **Patent No.: US D517,907 S**
(45) **Date of Patent: ** Mar. 28, 2006**

(54) **BUBBLE PACKAGING**
(75) Inventors: **Kendrew Lee**, Fremont, CA (US); **Noel Lee**, Las Vegas, NV (US)

D438,461 S * 3/2001 Yamagishi D9/415
D466,405 S * 12/2002 Lee D9/415
D471,442 S * 3/2003 Lee D9/415
D504,064 S * 4/2005 Lee et al. D9/415

(73) Assignee: **Monster Cable Products, Inc.**,
Brisbane, CA (US)

* cited by examiner

(**) Term: **14 Years**

Primary Examiner—Prabhakar Deshmukh
(74) *Attorney, Agent, or Firm*—LaRiviere, Grubman & Payne, LLP

(21) Appl. No.: **29/220,540**

(57) **CLAIM**

(22) Filed: **Dec. 30, 2004**

The ornamental design for a bubble packaging, as shown and described.

(51) **LOC (8) Cl.** **09-07**

(52) **U.S. Cl.** **D9/415**

(58) **Field of Classification Search** D9/415,
D9/418, 457, 414; 206/461–471, 495, 806,
206/223, 303, 389, 579, 775
See application file for complete search history.

DESCRIPTION

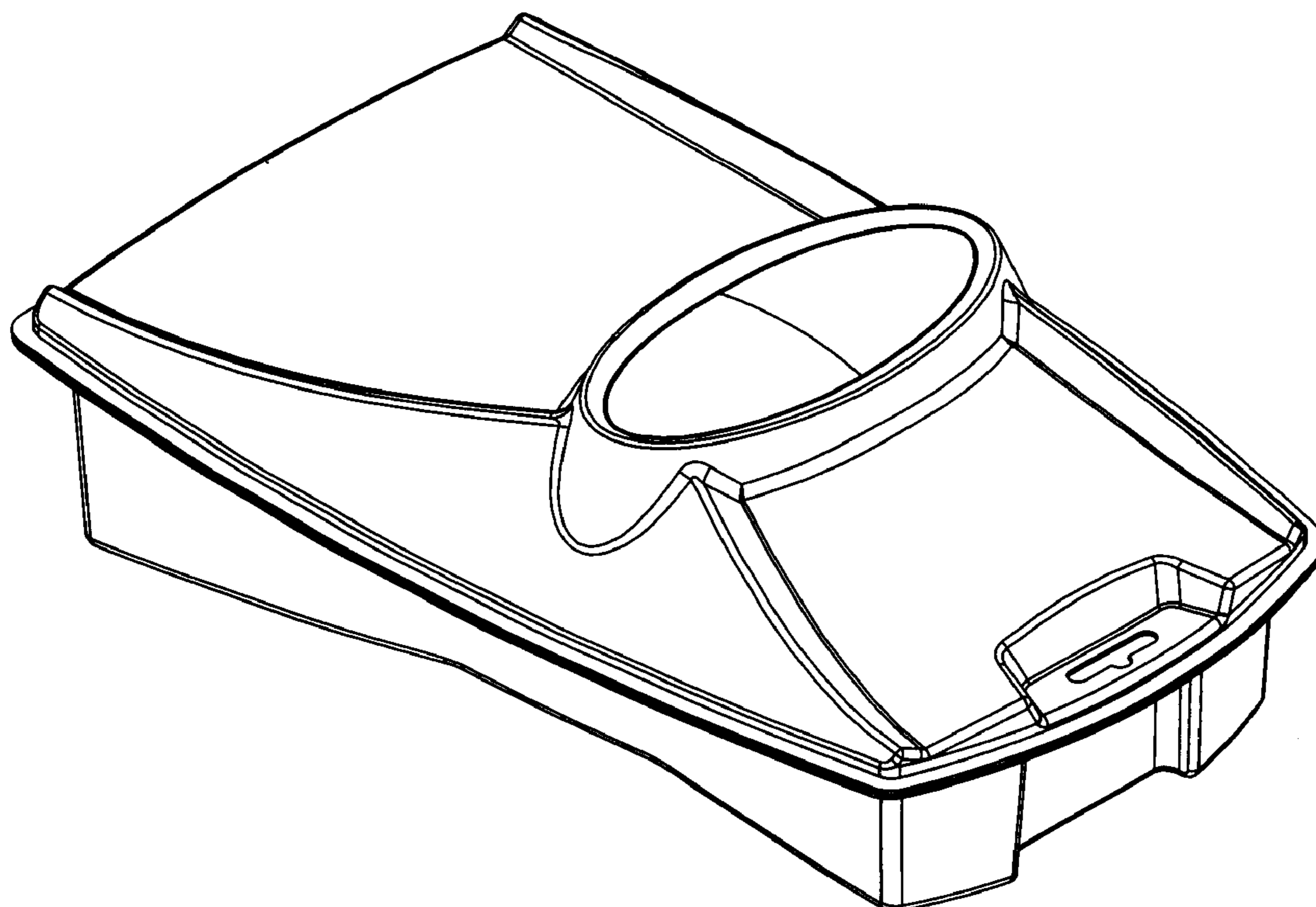
FIG. 1 is a perspective view of a bubble packaging, in accordance with the present invention.
FIG. 2 is a top view of a bubble packaging, in accordance with the present invention.
FIG. 3 is a rear view of a bubble packaging, in accordance with the present invention.
FIG. 4 is a bottom view of a bubble packaging, in accordance with the present invention.
FIG. 5 is a top view of a bubble packaging, in accordance with the present invention.
FIG. 6 is a side view of a bubble packaging, in accordance with the present invention; and,
FIG. 7 is an opposing side view of a bubble packaging, in accordance with the present invention.

(56) **References Cited**

U.S. PATENT DOCUMENTS

4,613,038 A * 9/1986 Kirk 206/216
4,804,091 A * 2/1989 Segal 206/457
D328,249 S * 7/1992 Lee D9/415
5,129,516 A * 7/1992 Theros 206/463
D405,688 S * 2/1999 Lee et al. D9/415
D406,753 S * 3/1999 Lee D9/415
5,875,893 A * 3/1999 Lee et al. 206/463
D431,459 S * 10/2000 Lee D9/415
6,131,737 A * 10/2000 Marshall 206/471

1 Claim, 3 Drawing Sheets



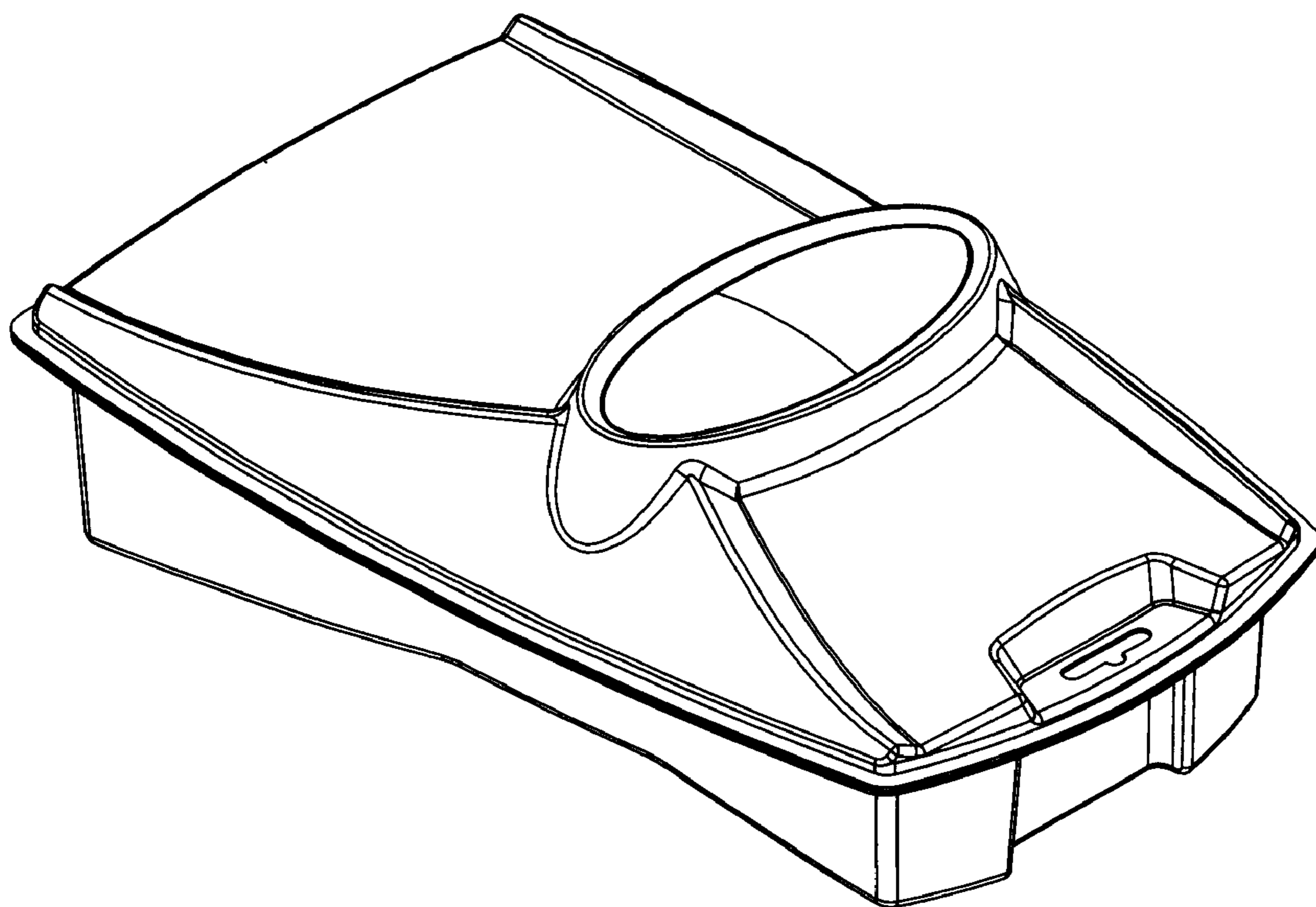


Figure 1

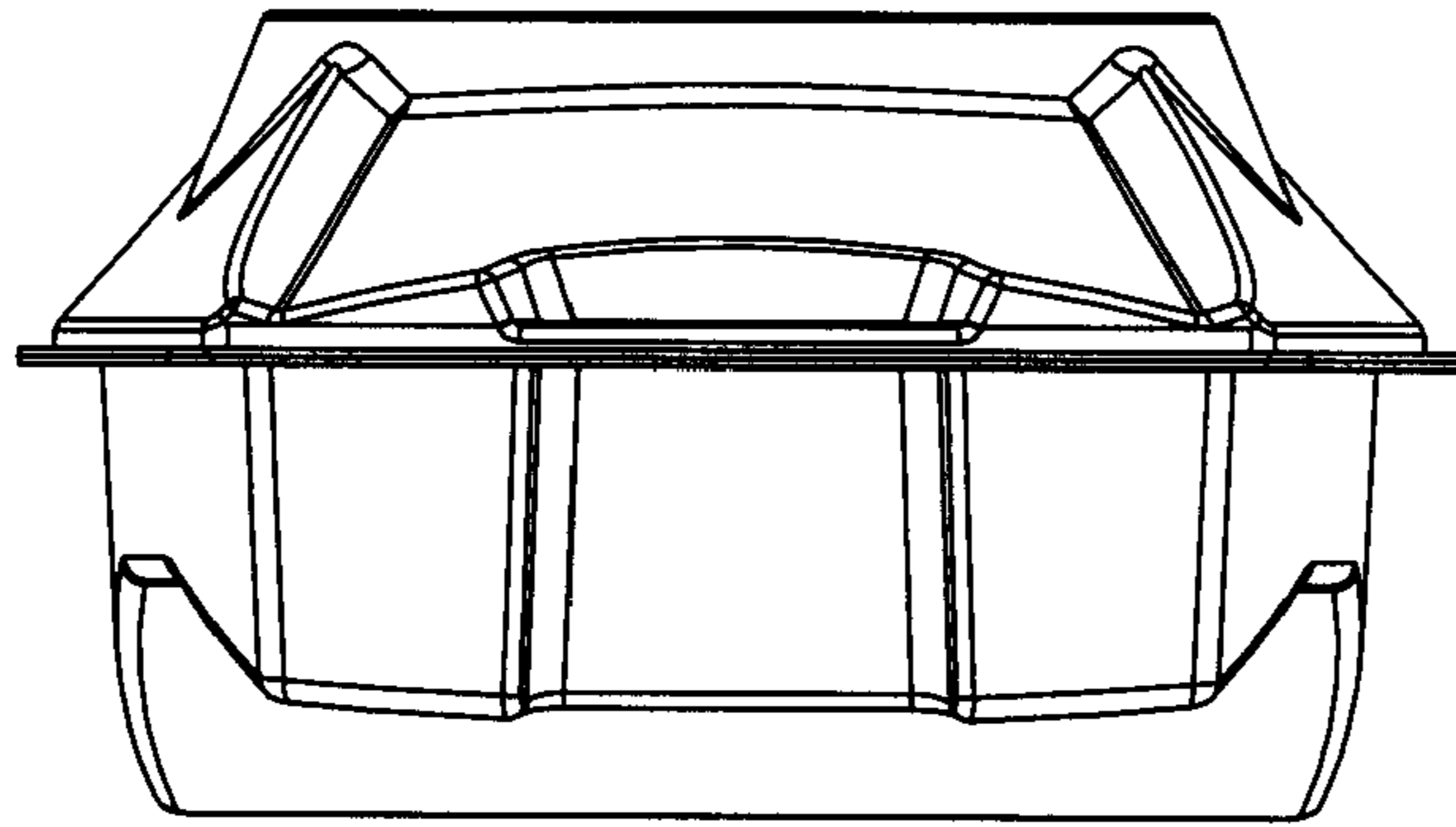


Figure 2

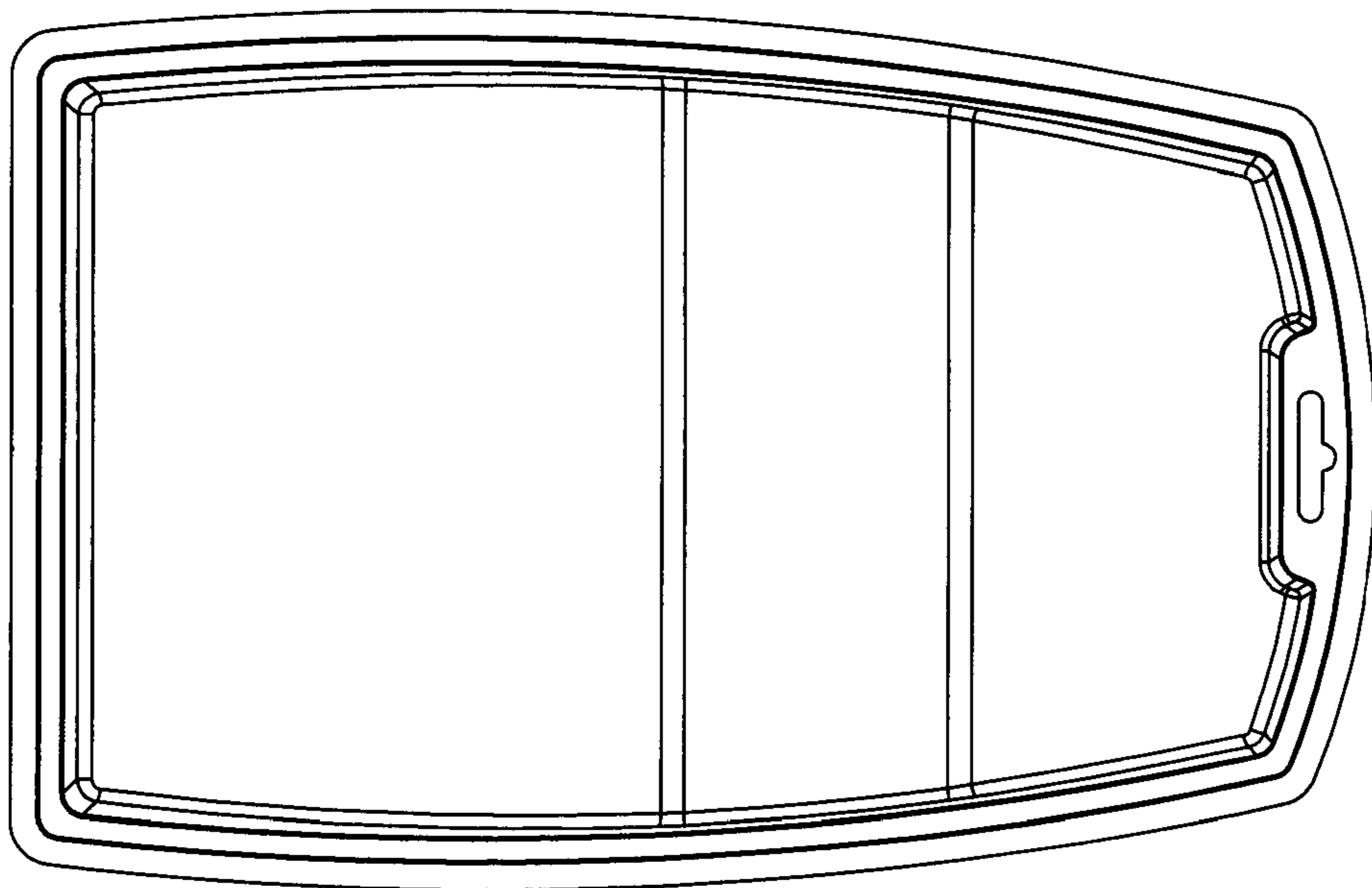


Figure 3

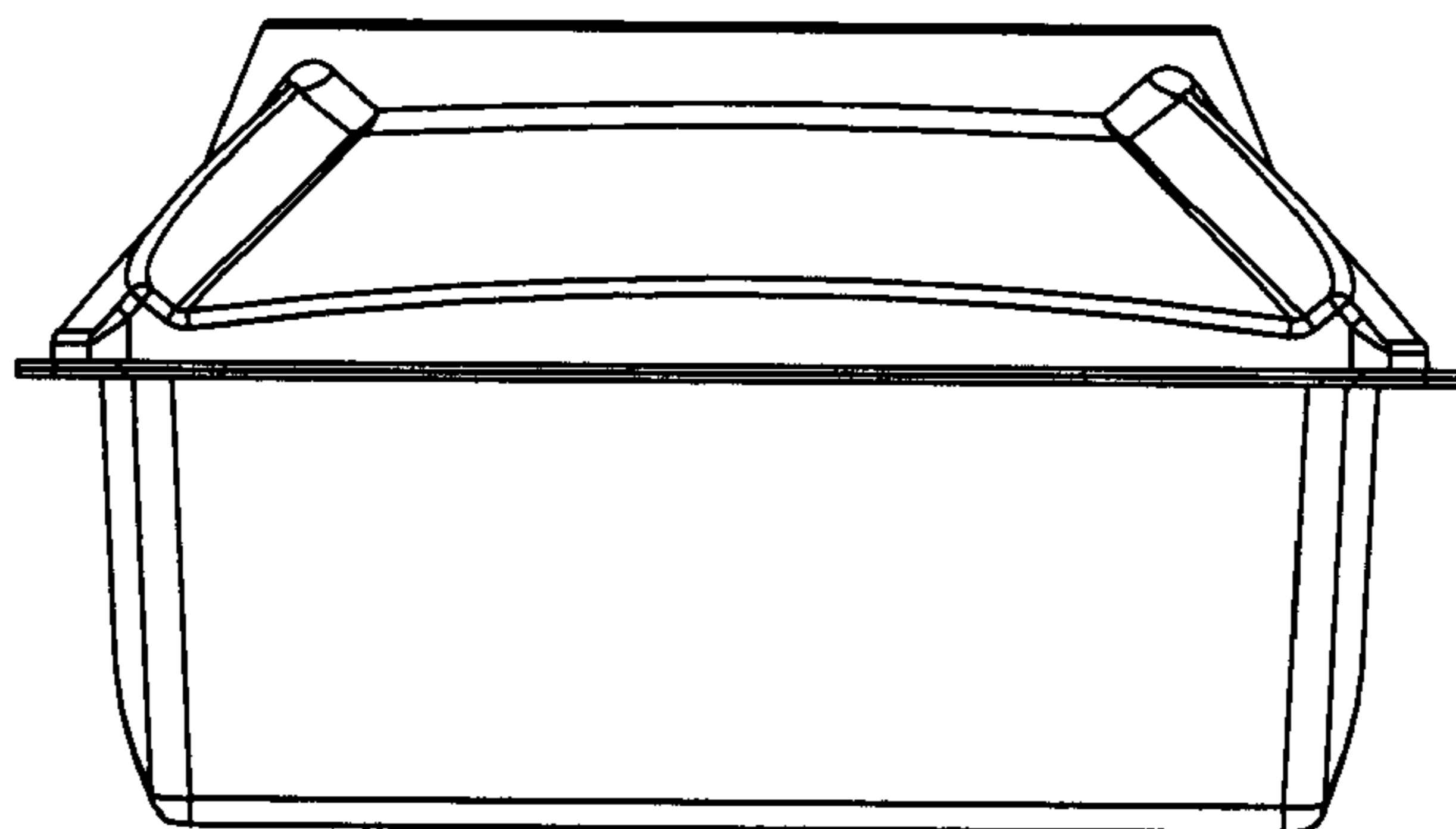


Figure 4

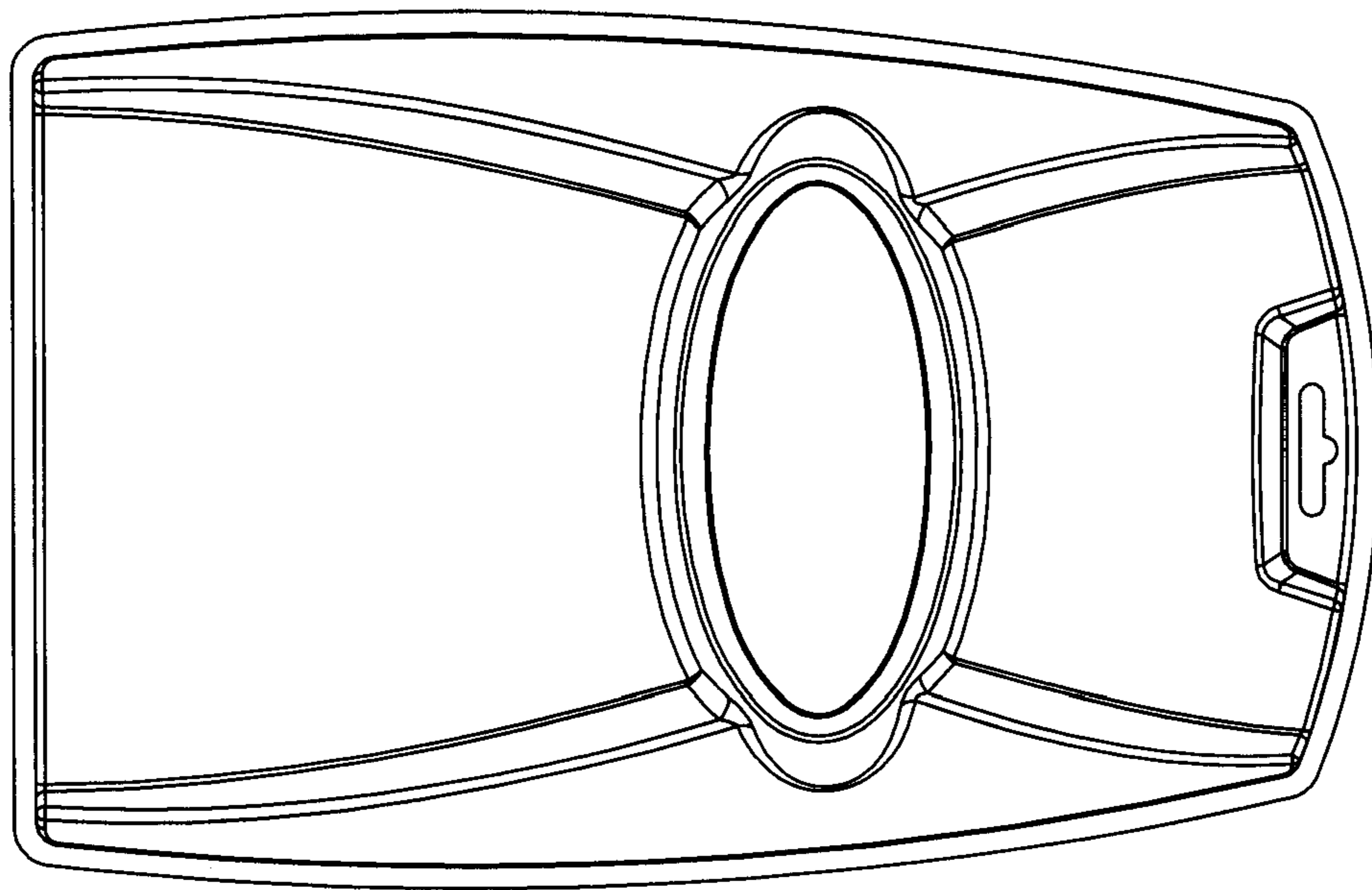


Figure 5

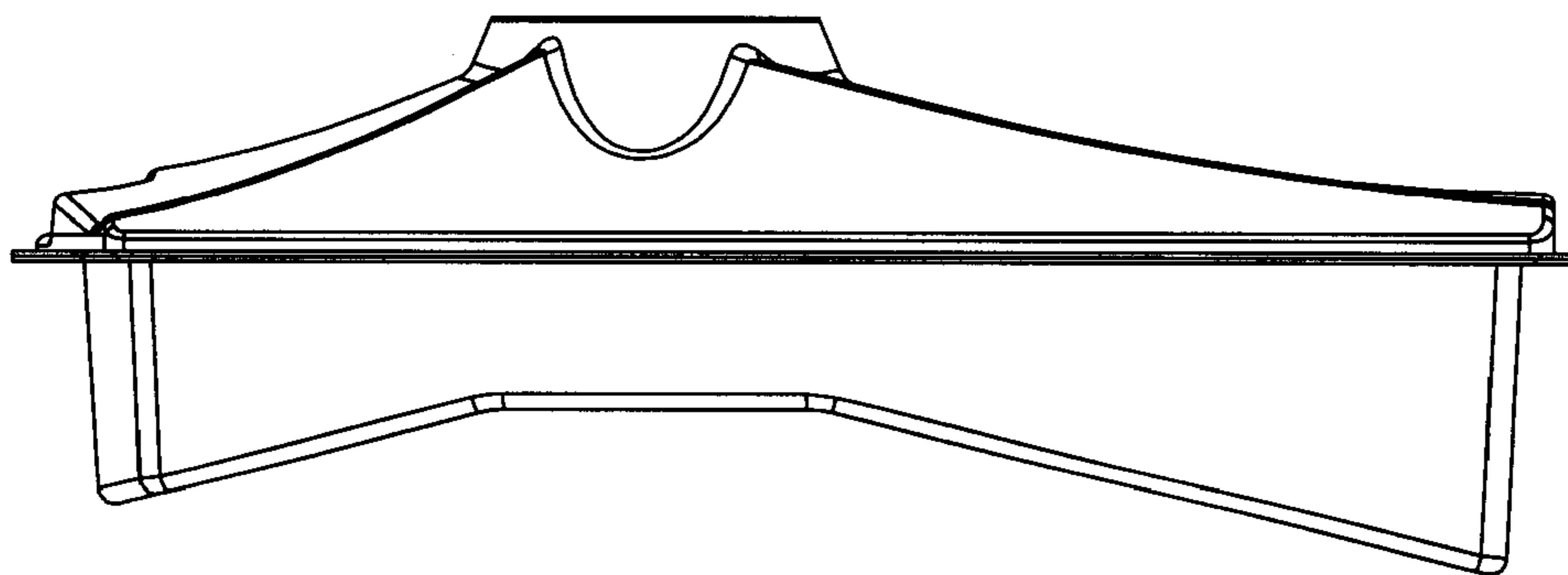


Figure 6

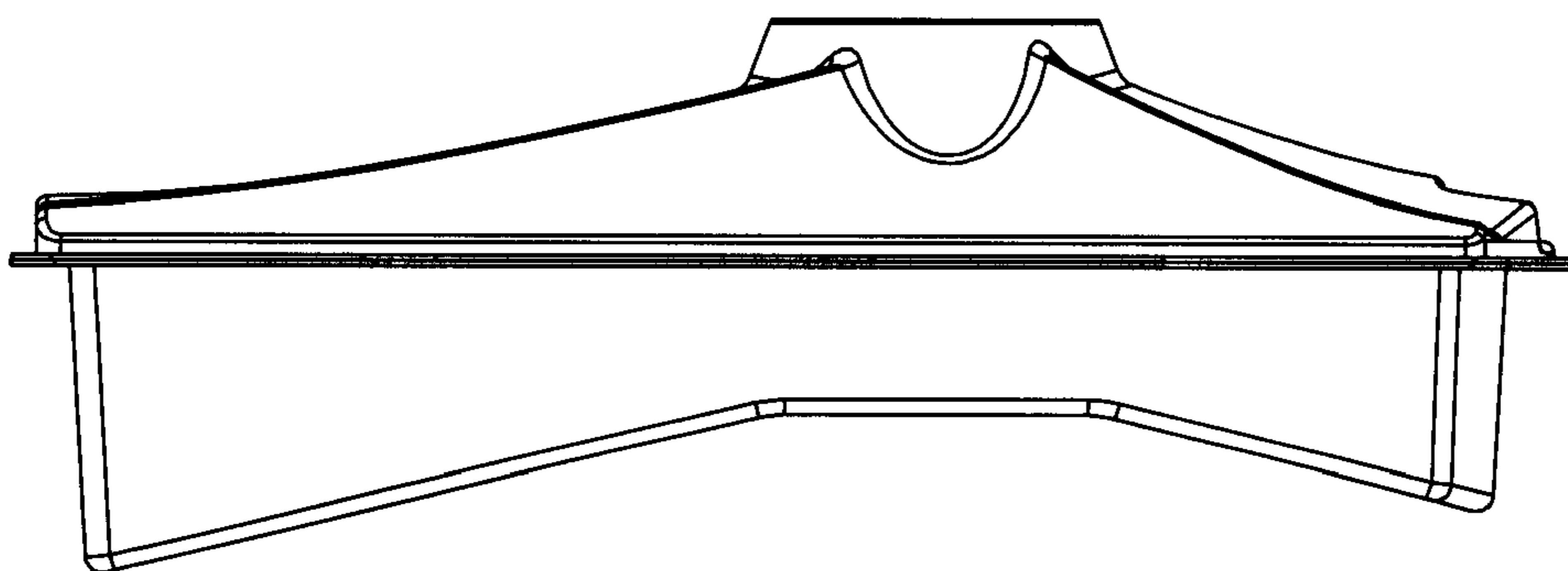


Figure 7