



US00D517906S

(12) **United States Design Patent**
Chang

(10) **Patent No.:** **US D517,906 S**

(45) **Date of Patent:** **** Mar. 28, 2006**

(54) **PACKAGE FOR CONTACT LENSES**

2004/0238380 A1 * 12/2004 Newman 206/5.1

(75) Inventor: **Hsi-Shih Chang**, Taipei (TW)

* cited by examiner

(73) Assignee: **St. Shine Optical Co., Ltd.**, Taipei
Hsien (TW)

Primary Examiner—Stella Reid
Assistant Examiner—Derrick Holland

(**) Term: **14 Years**

(74) *Attorney, Agent, or Firm*—Patterson, Thunte, Skaar &
Christensen, P.A.

(21) Appl. No.: **29/204,809**

(57) **CLAIM**

(22) Filed: **May 4, 2004**

The ornamental design for a package for contact lenses, as
shown and described.

(51) **LOC (8) Cl.** **09-03**

(52) **U.S. Cl.** **D9/415**

(58) **Field of Classification Search** D9/415,
D9/414, 416, 424, 425, 428; D3/264; 206/495,
206/5.1

DESCRIPTION

See application file for complete search history.

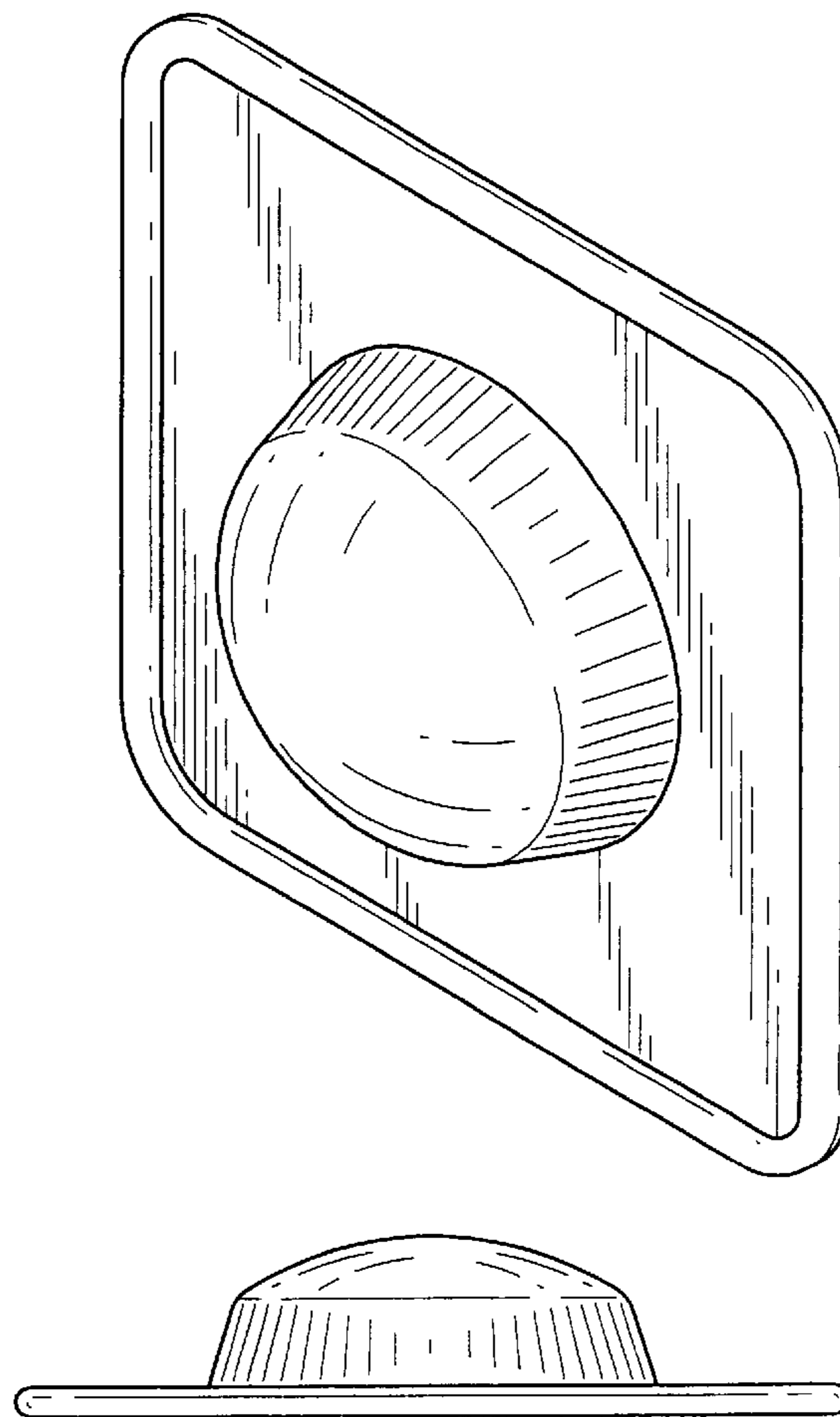
FIG. 1 is a perspective view of a package for contact lenses
showing my new design;
FIG. 2 is front view;
FIG. 3 is a rear view;
FIG. 4 is a left side view;
FIG. 5 is a right side view;
FIG. 6 is a top view;
FIG. 7 is a bottom view; and,
FIG. 8 is a cross-sectional view, taken on line 8—8 and in
the direction of arrows in FIG. 2.

(56) **References Cited**

U.S. PATENT DOCUMENTS

- 5,042,655 A * 8/1991 Beldyk et al. 206/316.1
- D357,803 S * 5/1995 Abrams et al. D3/264
- D358,479 S * 5/1995 Abrams et al. D3/264
- D362,961 S * 10/1995 Abrams et al. D3/264

1 Claim, 4 Drawing Sheets



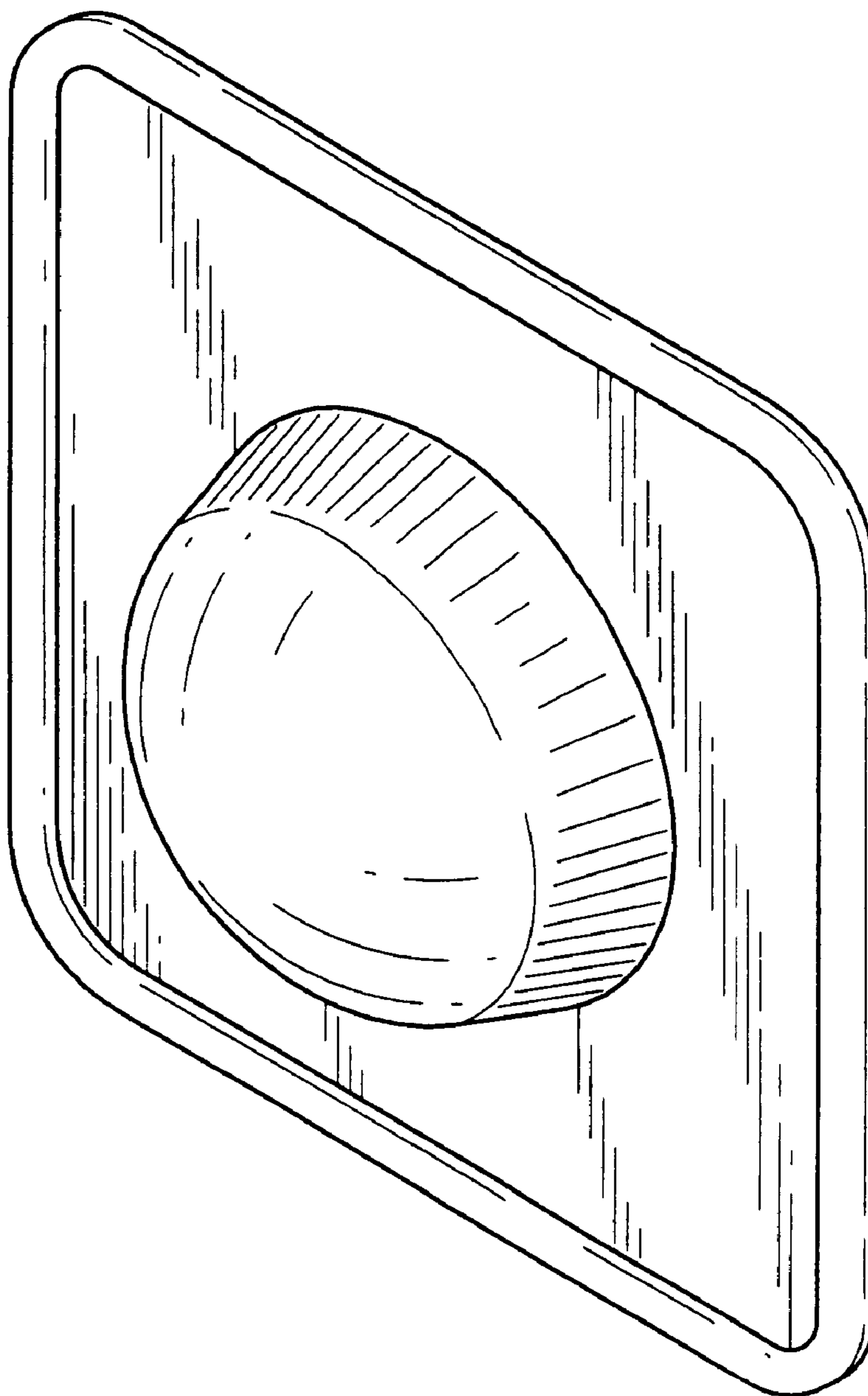


FIG. 1

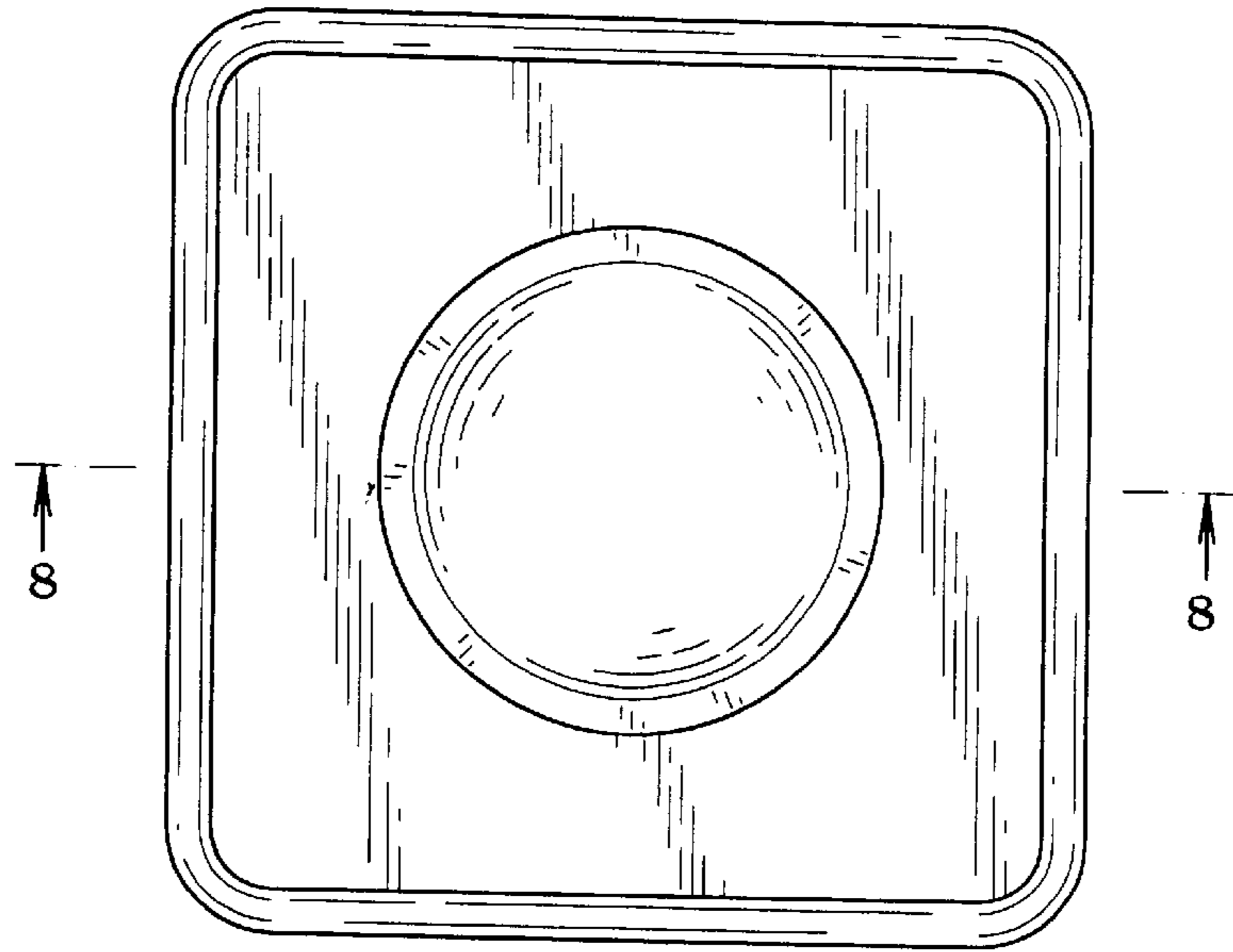


FIG. 2

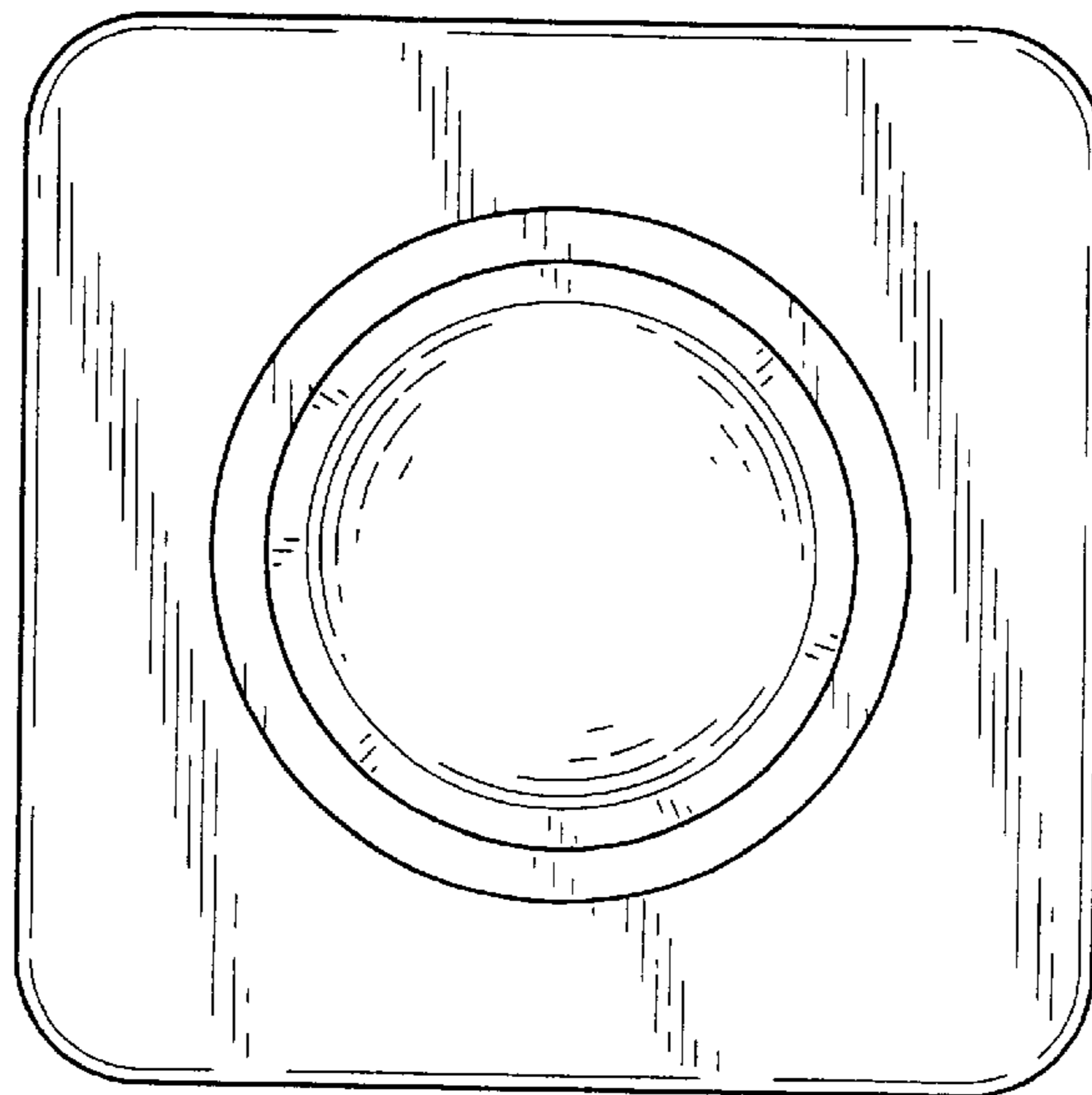


FIG. 3

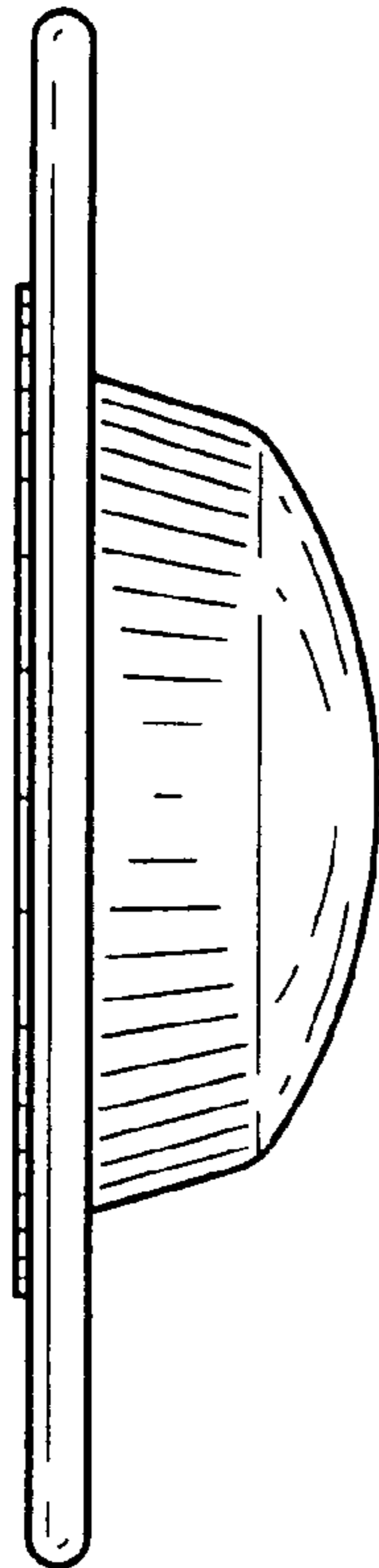


FIG. 4

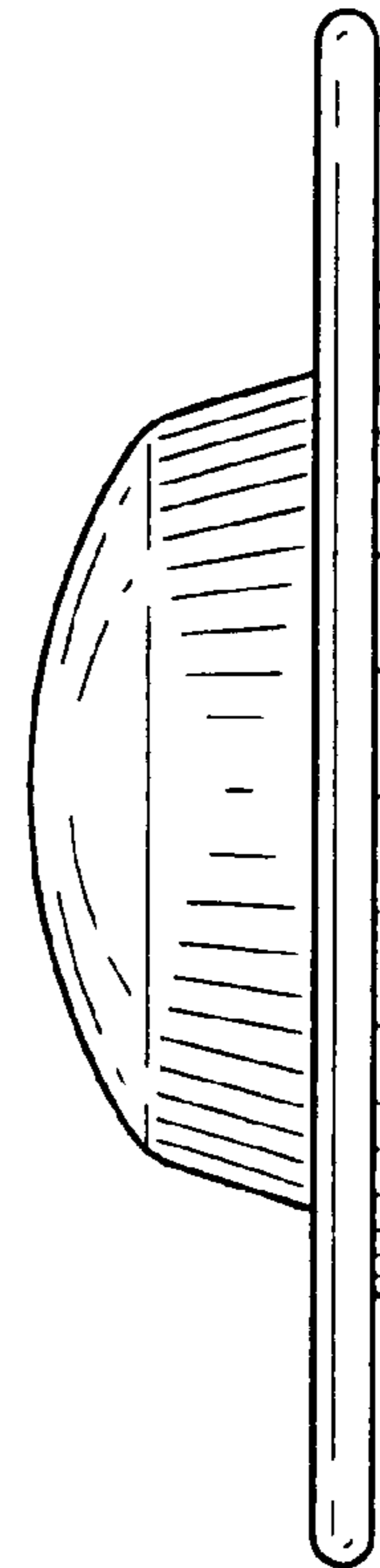


FIG. 5

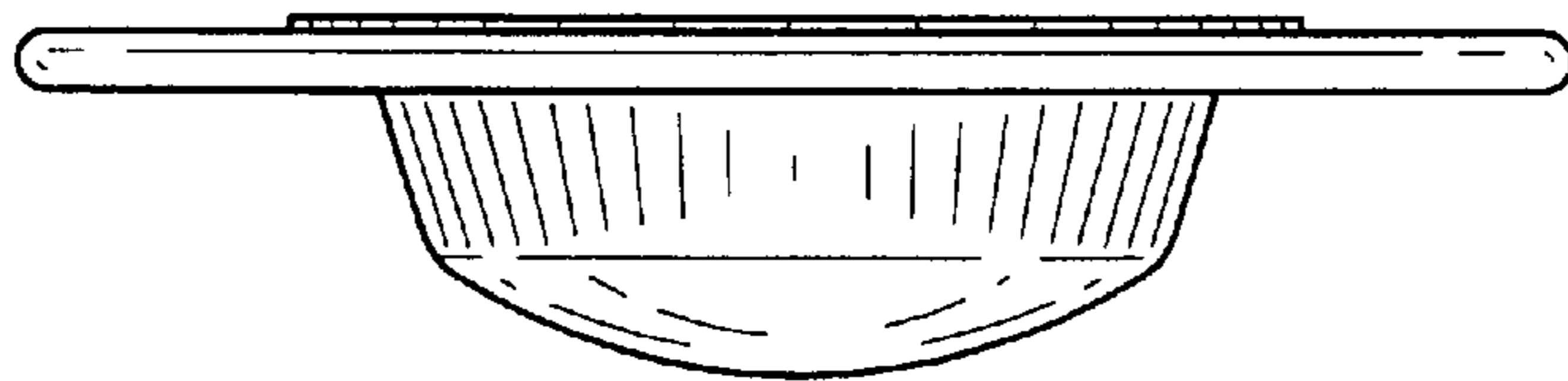


FIG. 6

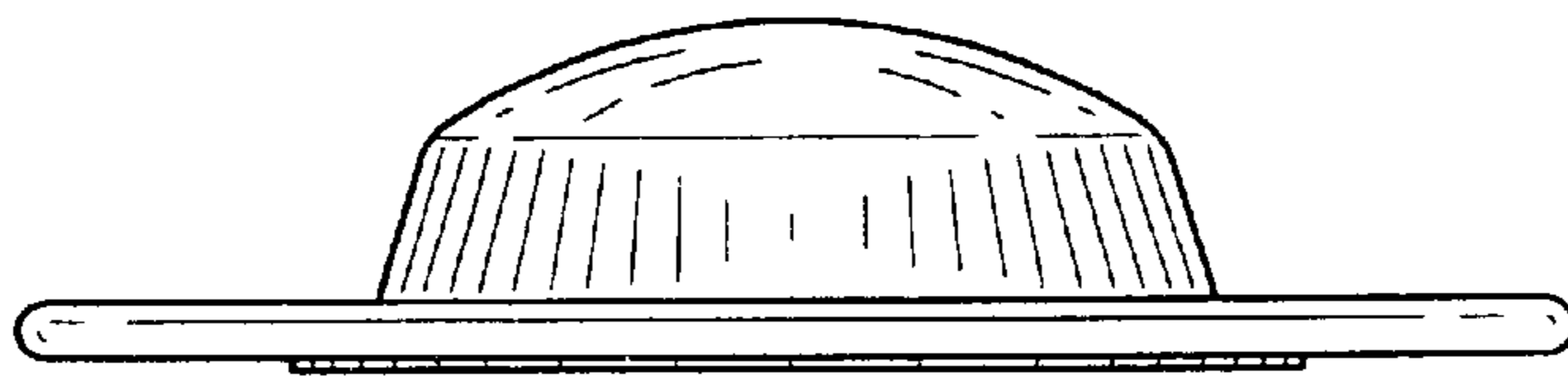


FIG. 7

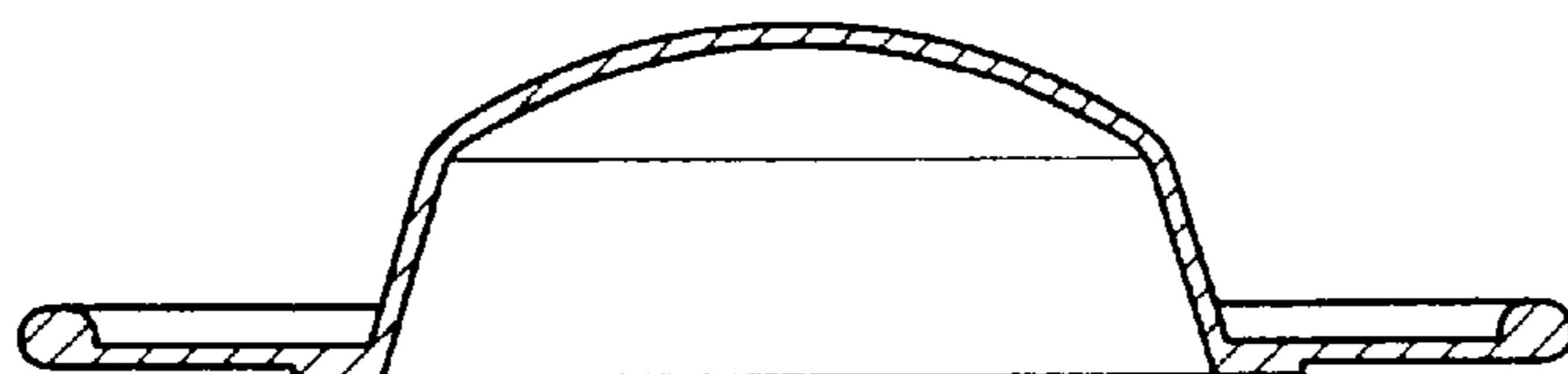


FIG. 8