

US00D517905S

(12) **United States Design Patent**  
**Wall**

(10) **Patent No.:** **US D517,905 S**

(45) **Date of Patent:** **\*\* Mar. 28, 2006**

(54) **CONNECTING ELEMENT FOR SHEET PILES**

6,282,762 B1 \* 9/2001 Wall ..... 24/573.09  
D472,455 S \* 4/2003 Wall ..... D8/382

(75) Inventor: **Georg Wall**, Munich (DE)

\* cited by examiner

(73) Assignee: **PilePro, LLC**, Rapid City, SD (US)

*Primary Examiner*—Holly H. Baynham

(\*\*) Term: **14 Years**

(74) *Attorney, Agent, or Firm*—Milde & Hoffberg, LLP

(21) Appl. No.: **29/218,175**

(57) **CLAIM**

(22) Filed: **Nov. 29, 2004**

The ornamental design for a connecting element for sheet piles, as shown and described.

(51) **LOC (8) Cl.** ..... **08-08**

(52) **U.S. Cl.** ..... **D8/382**

(58) **Field of Classification Search** ..... D8/382,  
D8/394–395; D25/119; 403/279; 405/278;  
24/573.09, 346, 370, 598.5

**DESCRIPTION**

See application file for complete search history.

FIG. 1 is a perspective view of the connecting element for sheet piles according to my design; and,

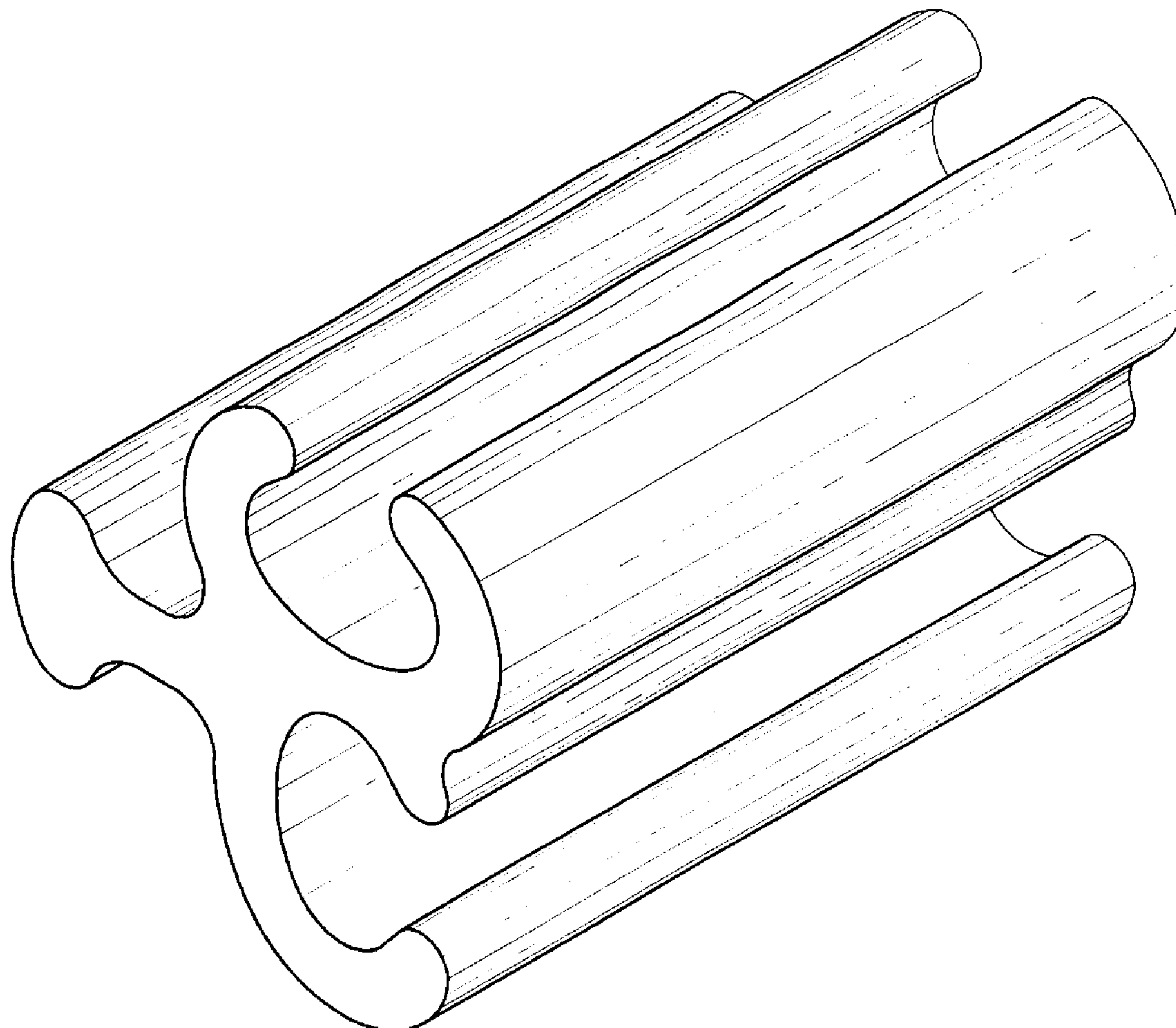
FIG. 2 is an end view of the connecting element of FIG. 1.

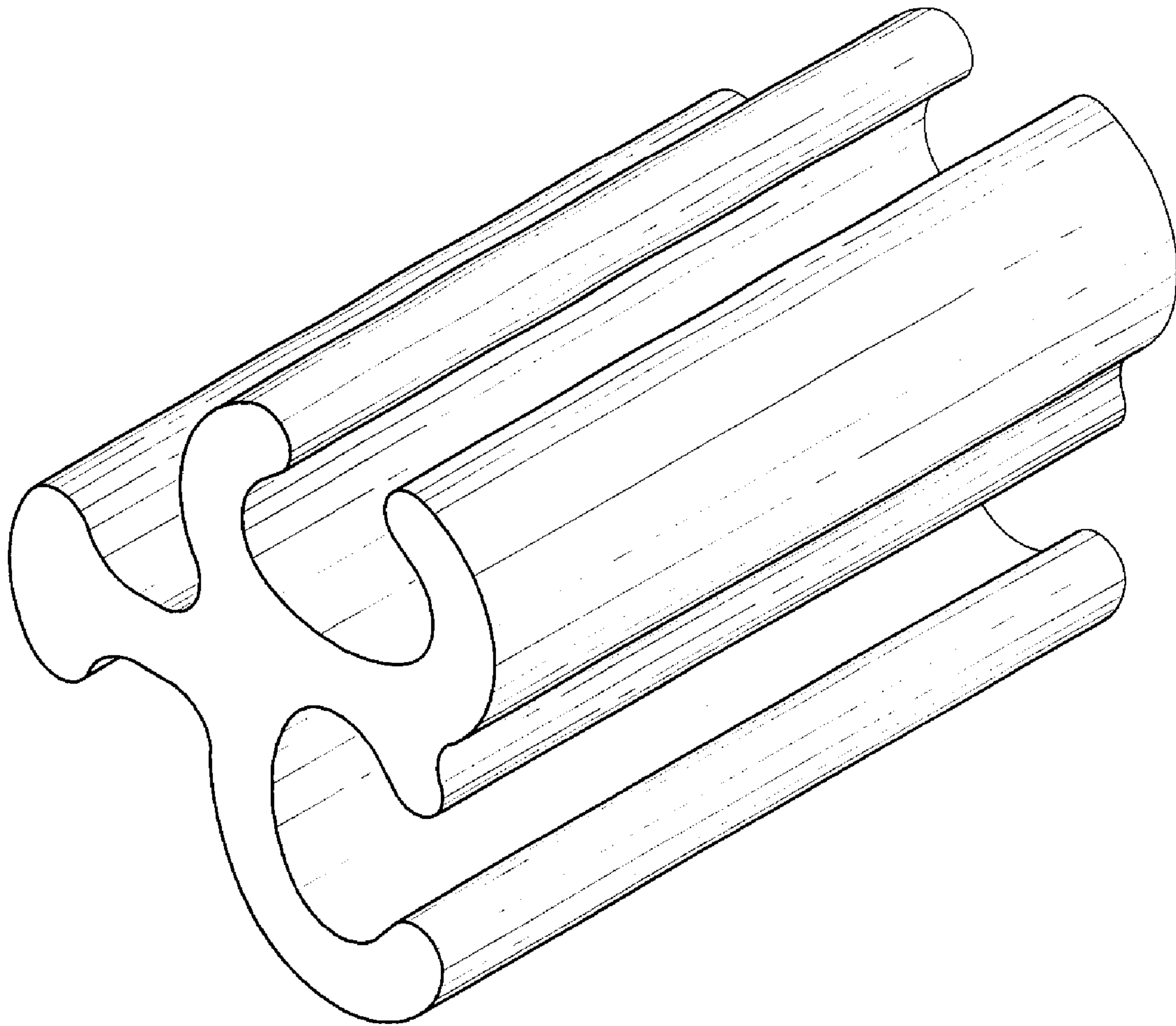
(56) **References Cited**

U.S. PATENT DOCUMENTS

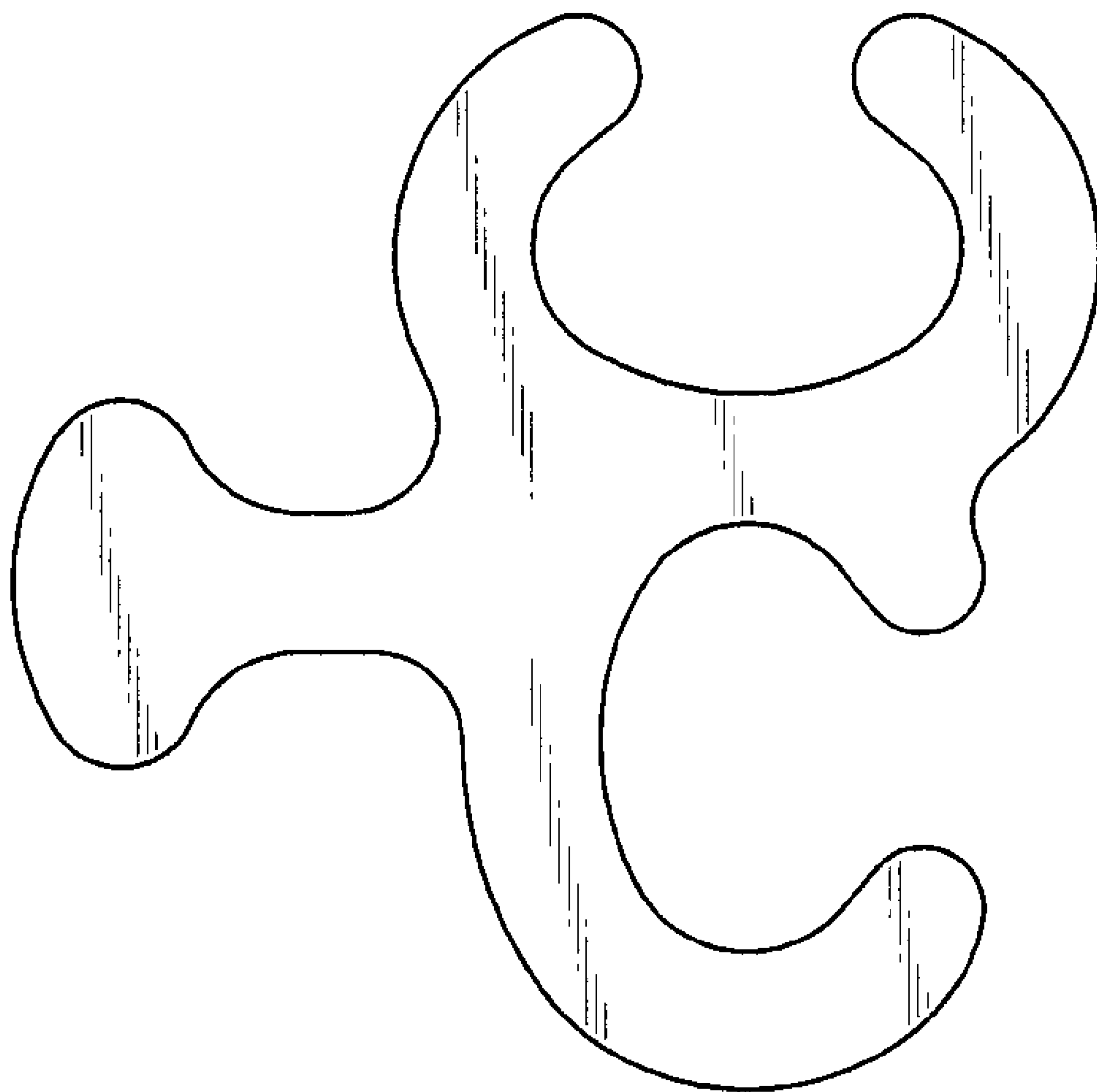
D242,138 S \* 11/1976 Drawski et al. .... D25/119

**1 Claim, 2 Drawing Sheets**





*FIG. 1*



***FIG. 2***