



US00D517904S

(12) **United States Design Patent**
Alkalay

(10) **Patent No.:** **US D517,904 S**

(45) **Date of Patent:** **** Mar. 28, 2006**

(54) **UNIVERSAL CONNECTOR CYLINDER**

D412,435 S * 8/1999 Cultice, Jr. D8/397
D484,036 S * 12/2003 Koch D8/397

(75) Inventor: **Uri Alkalay, Even Yehuda (IL)**

* cited by examiner

(73) Assignee: **Elgo Irrigation LTD, Netanya (IL)**

Primary Examiner—Holly H. Baynham
(74) *Attorney, Agent, or Firm*—Marsteller & Associates, P.C.

(**) Term: **14 Years**

(21) Appl. No.: **29/194,268**

(22) Filed: **Nov. 20, 2003**

(57) **CLAIM**

(30) **Foreign Application Priority Data**

The ornamental design for the universal connector cylinder, as shown.

Jul. 3, 2003 (IL) 38195

DESCRIPTION

(51) **LOC (8) Cl.** **08-08**

(52) **U.S. Cl.** **D8/382**

(58) **Field of Classification Search** D8/382,
D8/397; 403/403, 205, 231, 170, 388, 223,
403/255, 291, 309-311, 300-301; 411/427,
411/429, 432, 918, 180

FIG. 1 is an isometric view of a cylinder showing my new design;

FIG. 2 is a bottom view of the cylinder;

FIG. 3 is a left side view of the cylinder;

FIG. 4 is a right side view of the cylinder;

FIG. 5 is a top view of the cylinder;

FIG. 6 is a back view of the cylinder; and,

FIG. 7 is a front view of the cylinder.

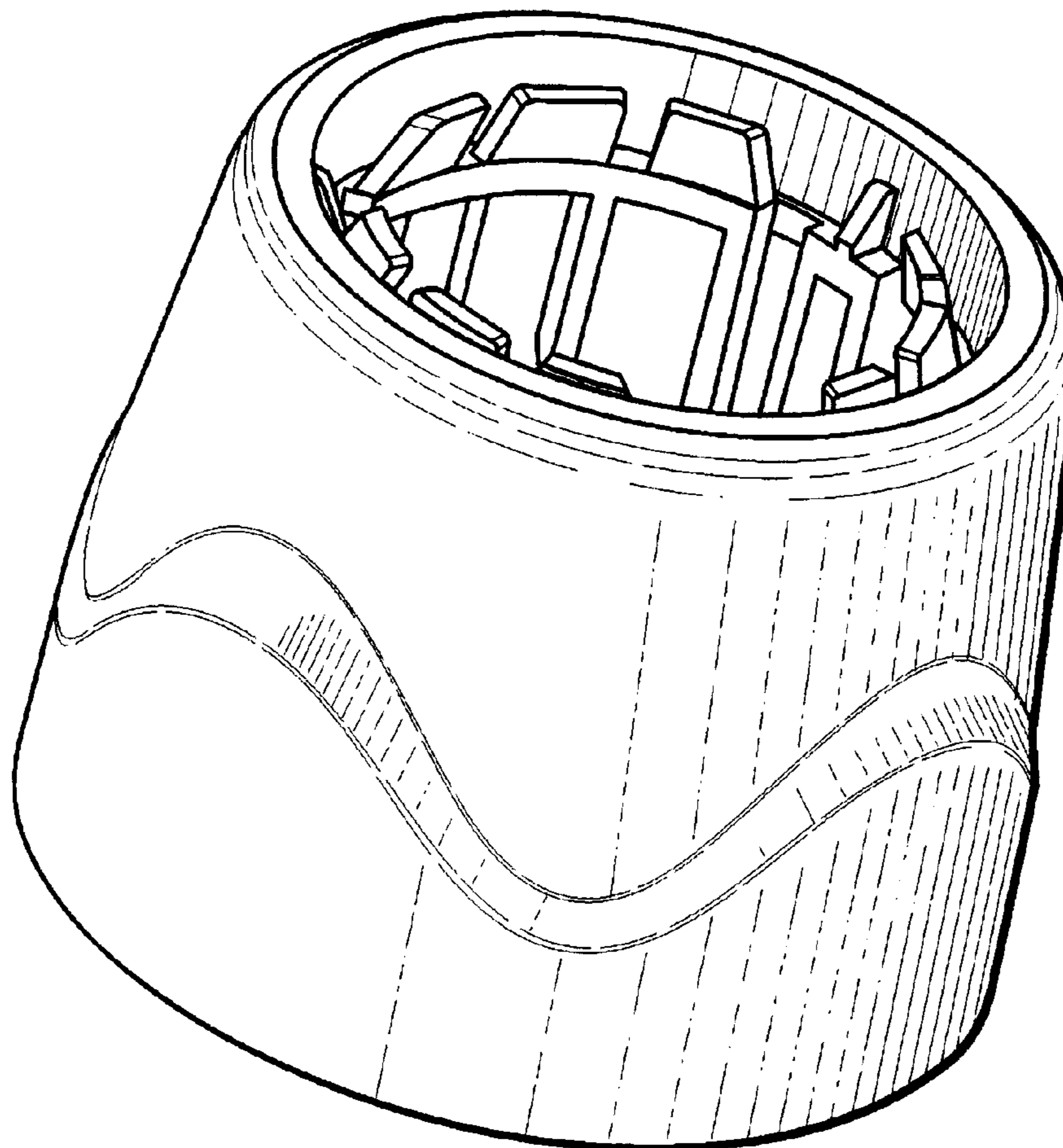
See application file for complete search history.

(56) **References Cited**

U.S. PATENT DOCUMENTS

D242,218 S * 11/1976 Ono D8/397

1 Claim, 4 Drawing Sheets



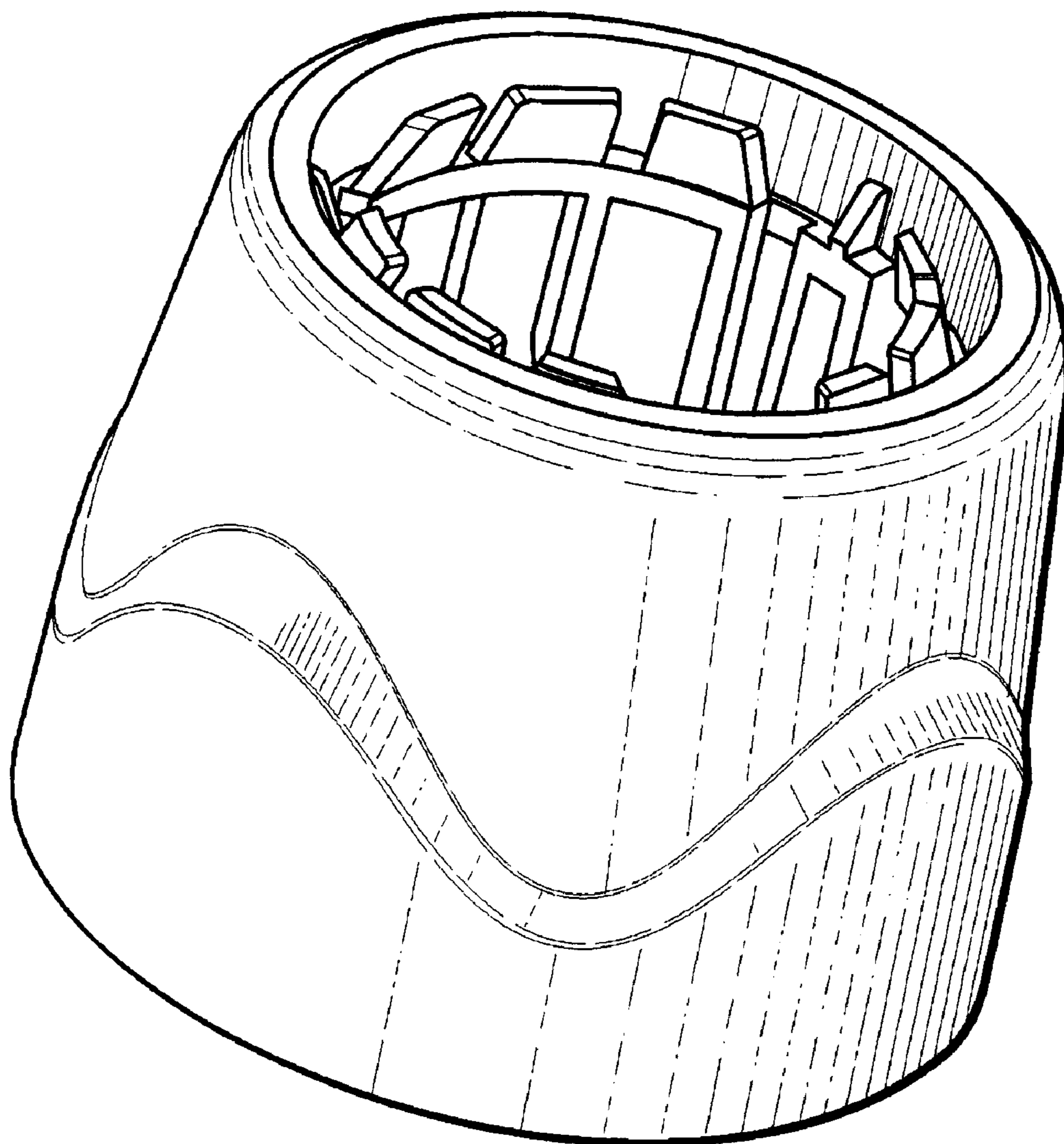


FIG. 1

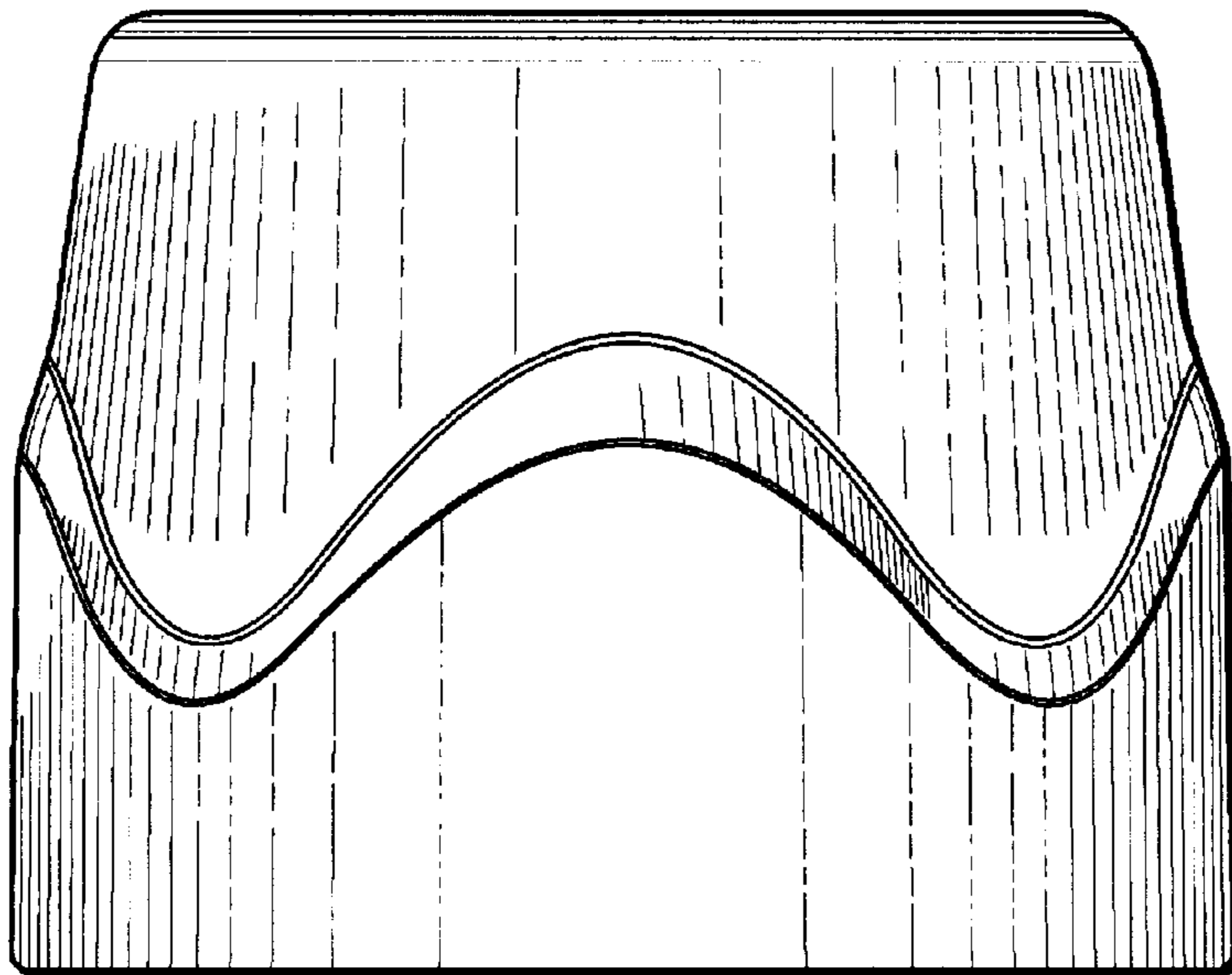


FIG. 2

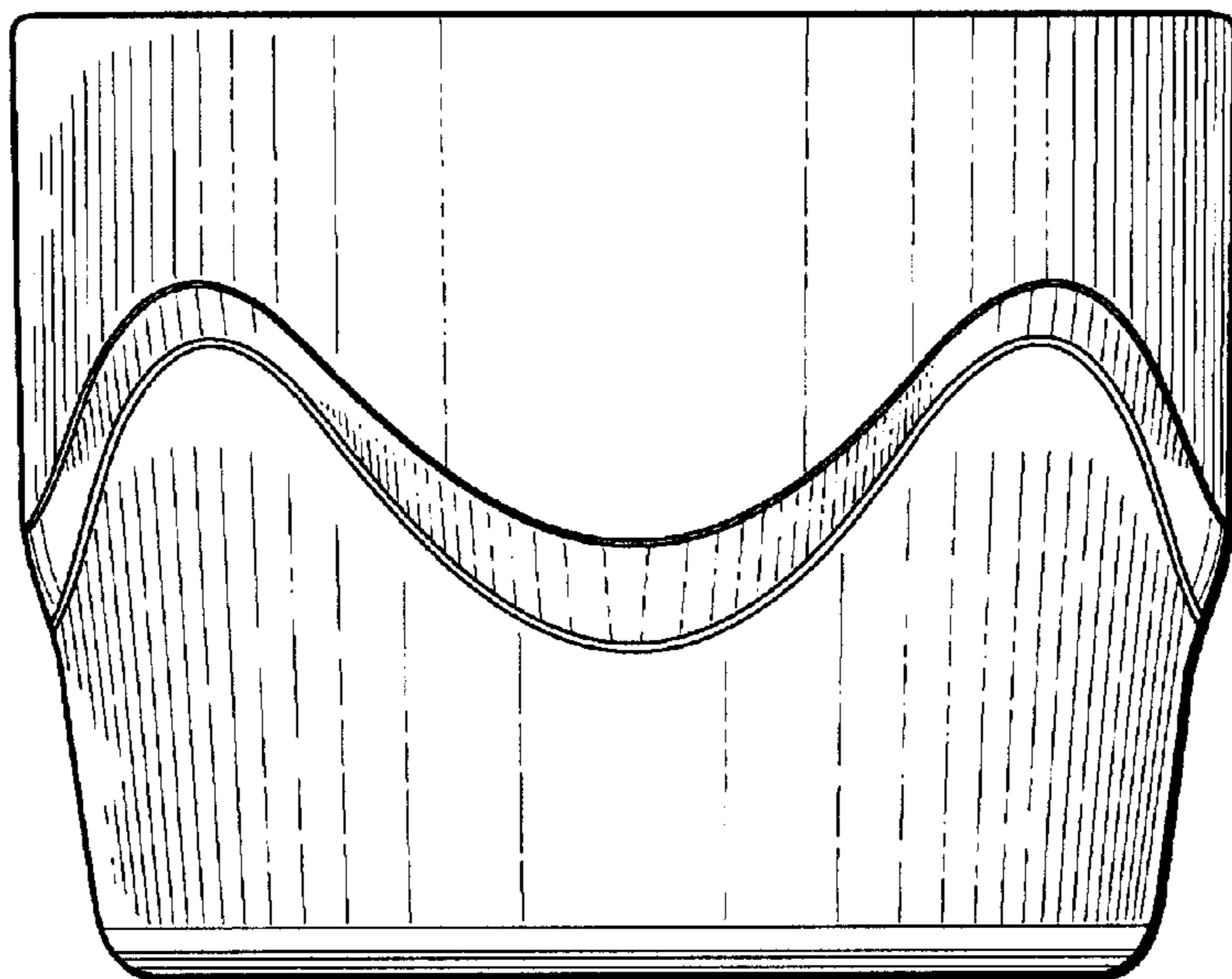


FIG. 3

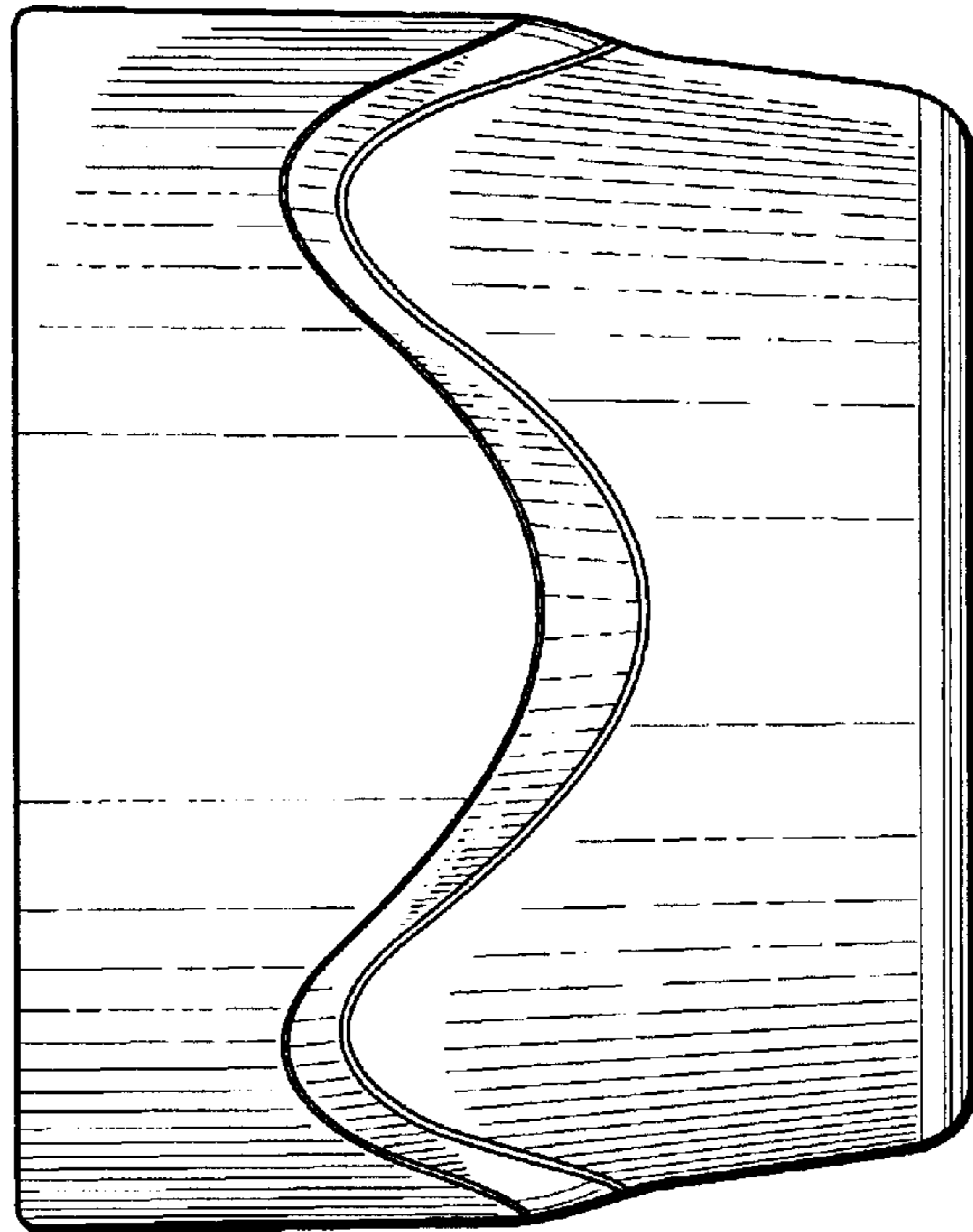


FIG. 4

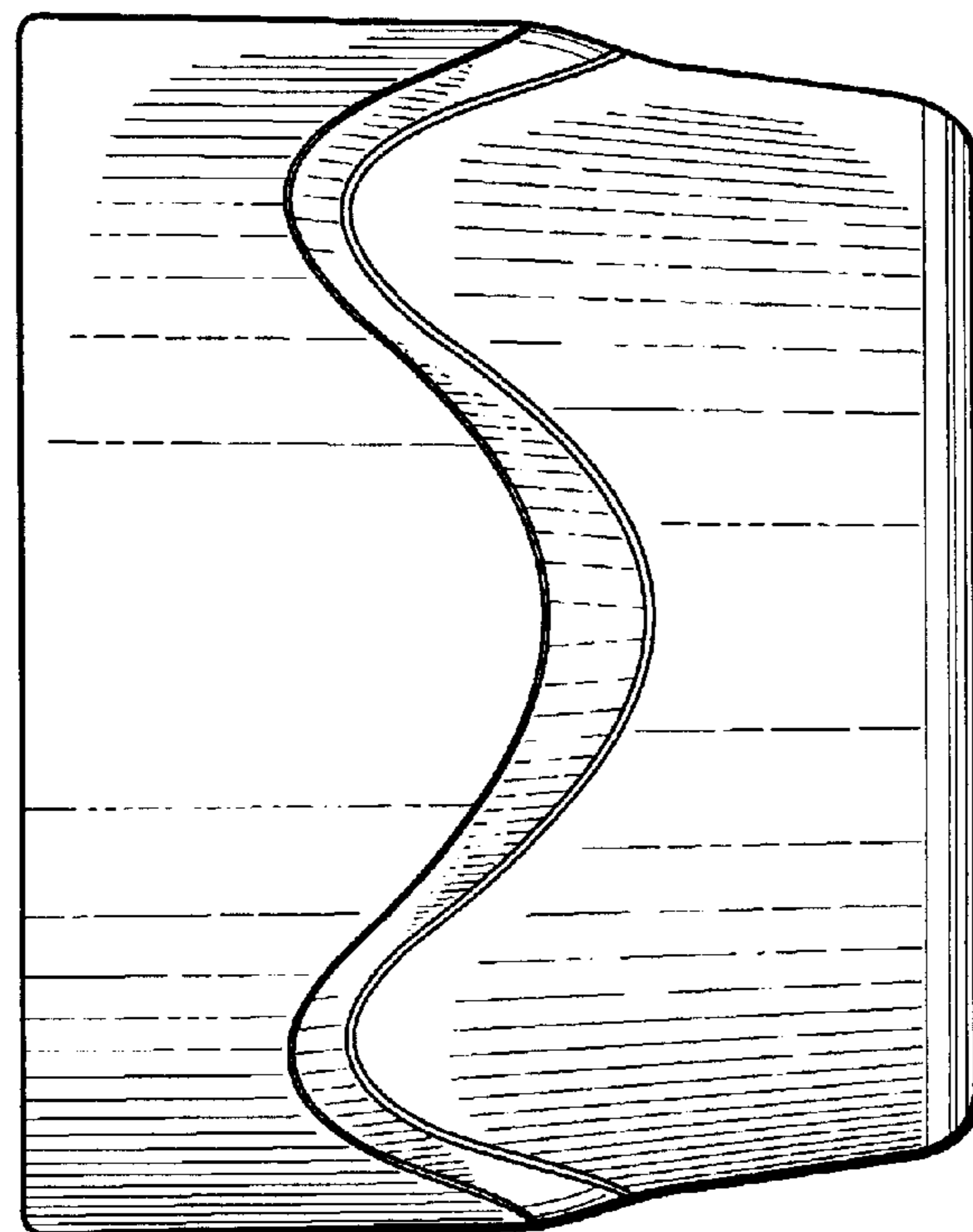


FIG. 5

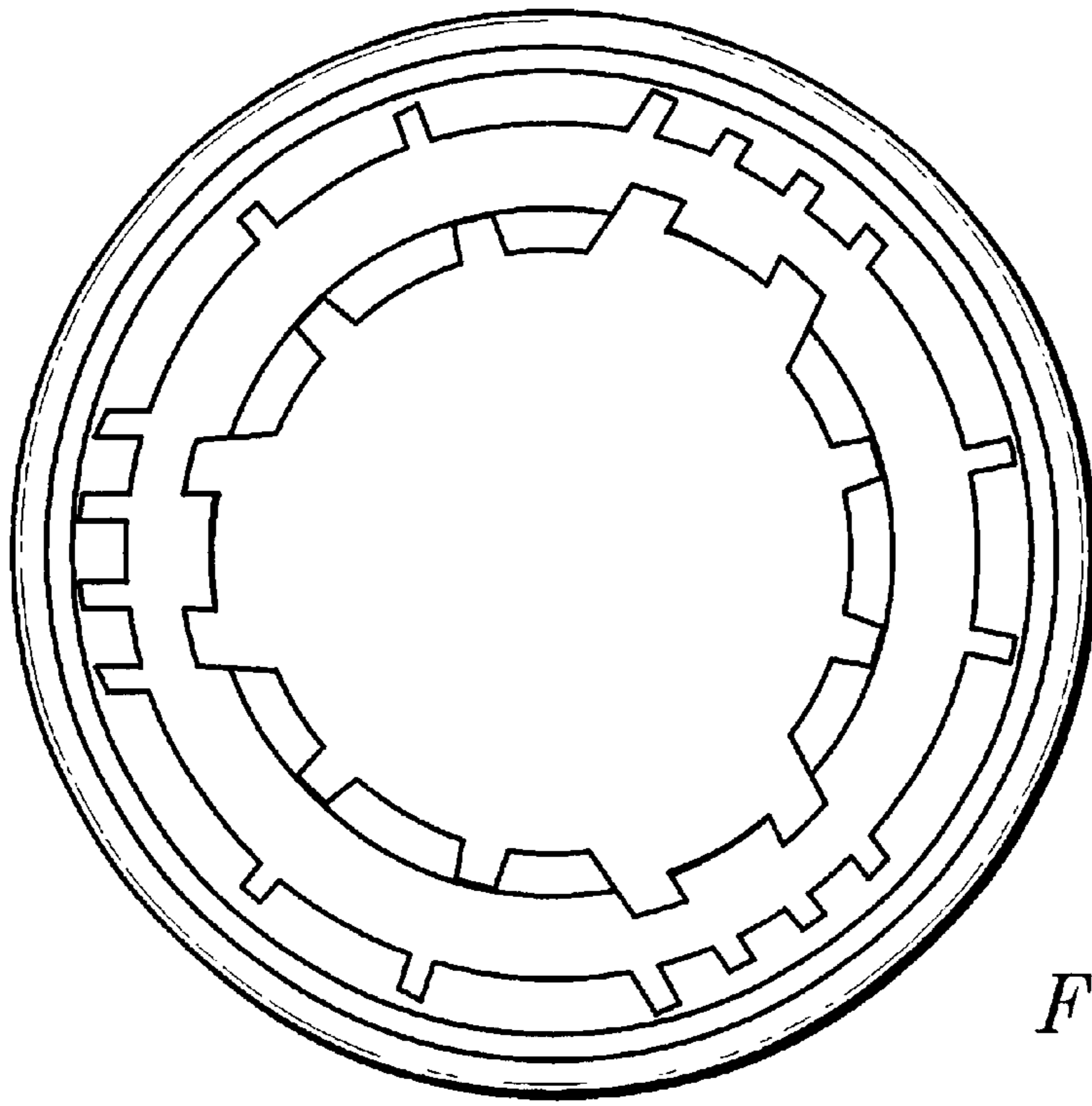


FIG. 6

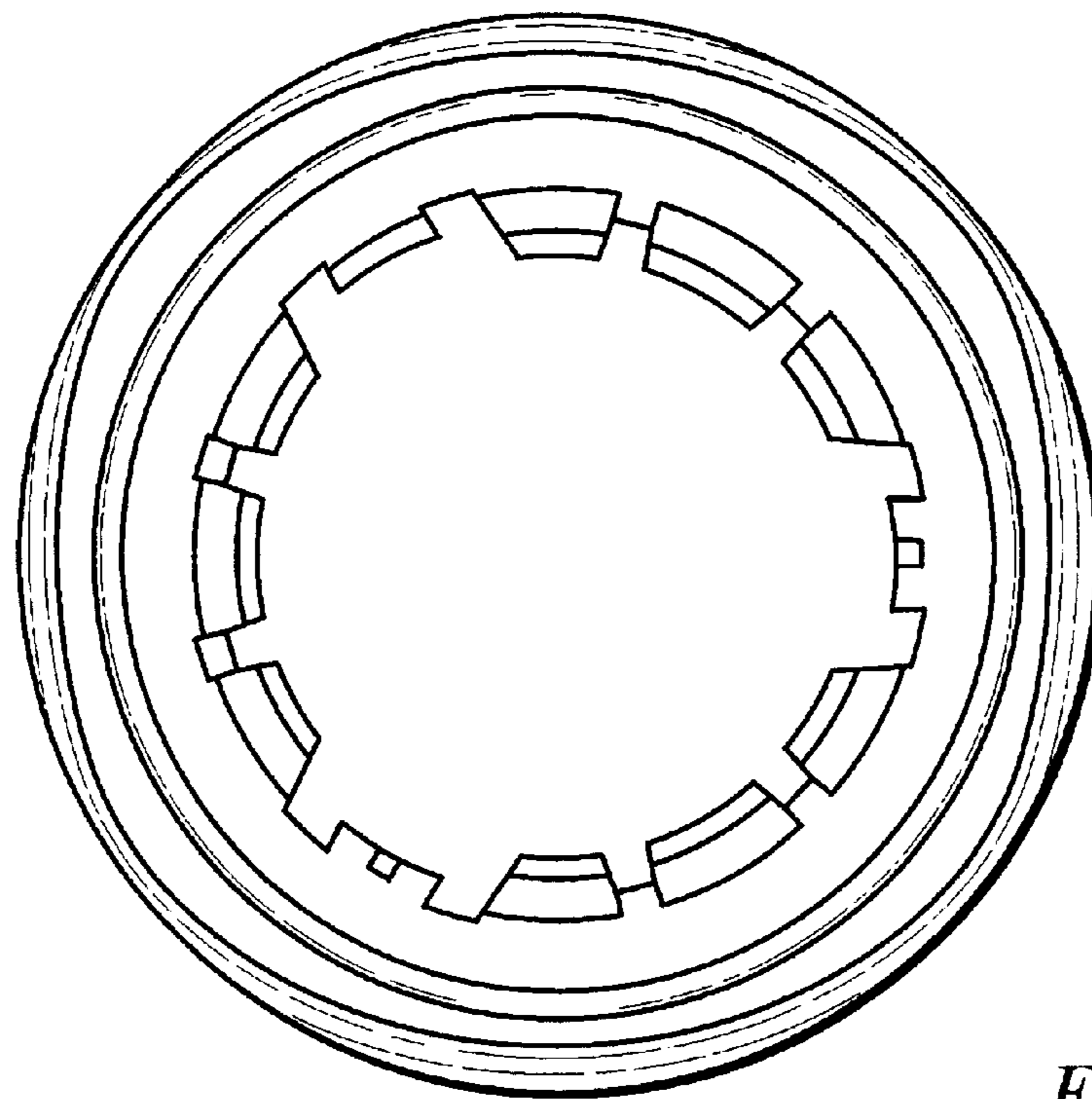


FIG. 7