



US00D517901S

(12) **United States Design Patent**
Carpenter

(10) **Patent No.:** **US D517,901 S**

(45) **Date of Patent:** **** Mar. 28, 2006**

(54) **SUPPORTING SYSTEM FOR ELECTRIC FENCE WIRE**

D461,396 S * 8/2002 Ferrill et al. D8/356
D467,492 S * 12/2002 Wieder D8/356

(76) Inventor: **Deborah M. Carpenter**, 1085
Cheyenne Pl., Parker, CO (US) 80138

* cited by examiner

Primary Examiner—Holly Baynham

(74) *Attorney, Agent, or Firm*—Donald W. Margolis

(**) Term: **14 Years**

(57) **CLAIM**

(21) Appl. No.: **29/221,412**

The ornamental design for a supporting system for electric fence wire, as shown and described.

(22) Filed: **Jan. 18, 2005**

DESCRIPTION

(51) **LOC (8) Cl.** **08-08**

(52) **U.S. Cl.** **D8/356**

(58) **Field of Classification Search** D8/356,
D8/395, 396, 373, 380; 174/40 R; 248/58;
439/714, 719

FIG. 1 is a front elevational view of a supporting system for electric fence wire showing my new design;
FIG. 2 is a rear elevational view thereof;
FIG. 3 is a bottom plan view thereof;
FIG. 4 is a top plan view thereof;
FIG. 5 is a right side elevational view thereof;
FIG. 6 is a the left side elevational view thereof;
FIG. 7 is a reduced top left side perspective view thereof;
FIG. 8 is a front elevational view of a second embodiment of a supporting system for electric fence wire showing my new design;
FIG. 9 is a rear elevational view thereof;
FIG. 10 is a bottom plan view thereof;
FIG. 11 is a top plan view thereof;
FIG. 12 is a right side elevational view thereof,
FIG. 13 is a the left side elevational view thereof; and,
FIG. 14 is a reduced top left side perspective view thereof.

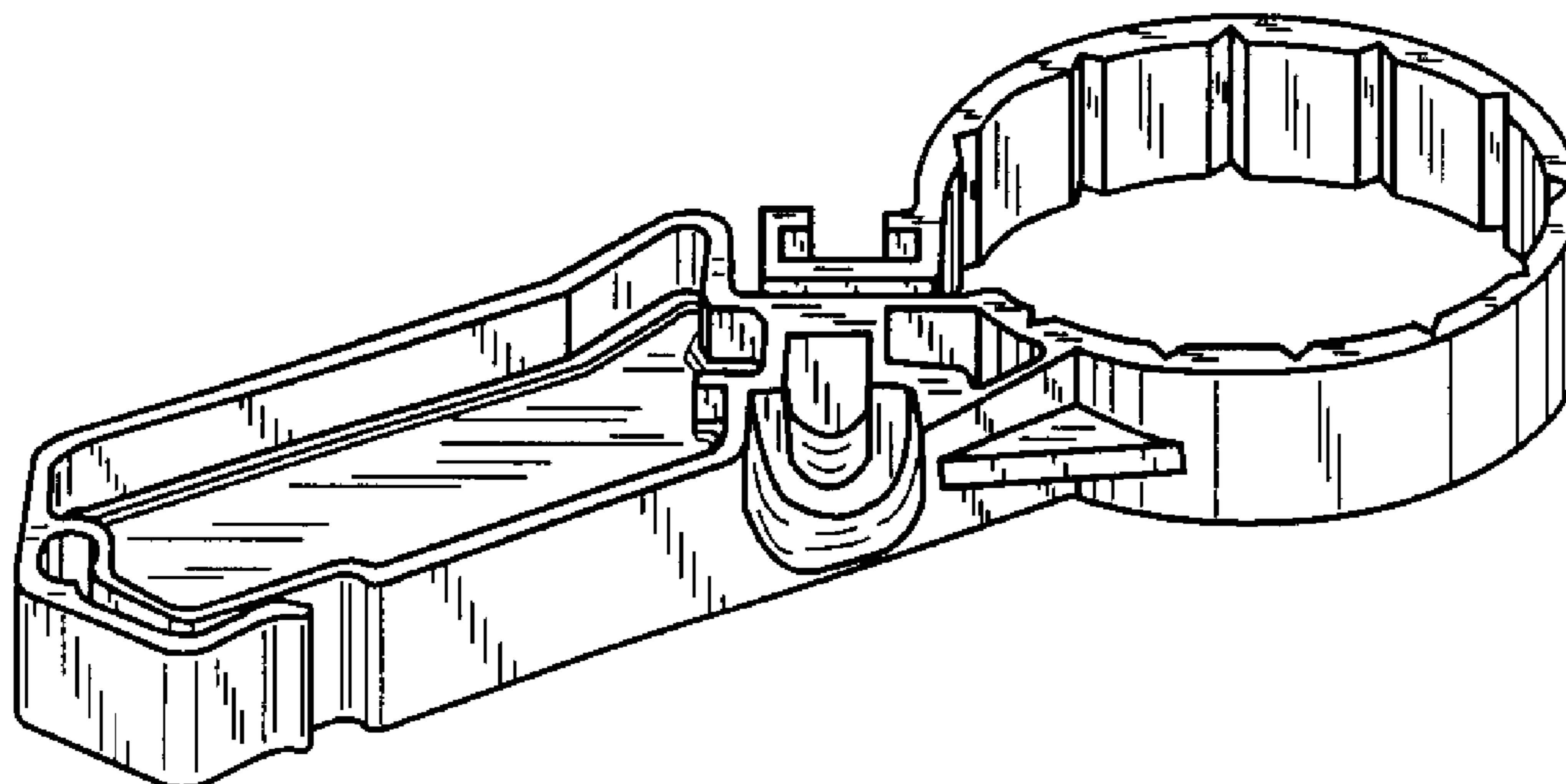
See application file for complete search history.

(56) **References Cited**

U.S. PATENT DOCUMENTS

- 4,795,856 A * 1/1989 Farmer 174/40 R
- D317,112 S * 5/1991 Newuirth et al. D8/356
- D333,256 S * 2/1993 Newcomer et al. D8/356
- D339,982 S * 10/1993 Rodriguez Prados D8/356
- D343,266 S * 1/1994 Gromer D32/54
- 5,618,014 A * 4/1997 Rinderer 248/58
- 5,628,481 A * 5/1997 Rinderer 248/58
- 5,634,614 A * 6/1997 Rinderer 248/58
- D425,779 S * 5/2000 Nakamura D8/356
- D427,052 S * 6/2000 Nagato D8/396
- D428,330 S * 7/2000 Johnston et al. D8/395

1 Claim, 2 Drawing Sheets



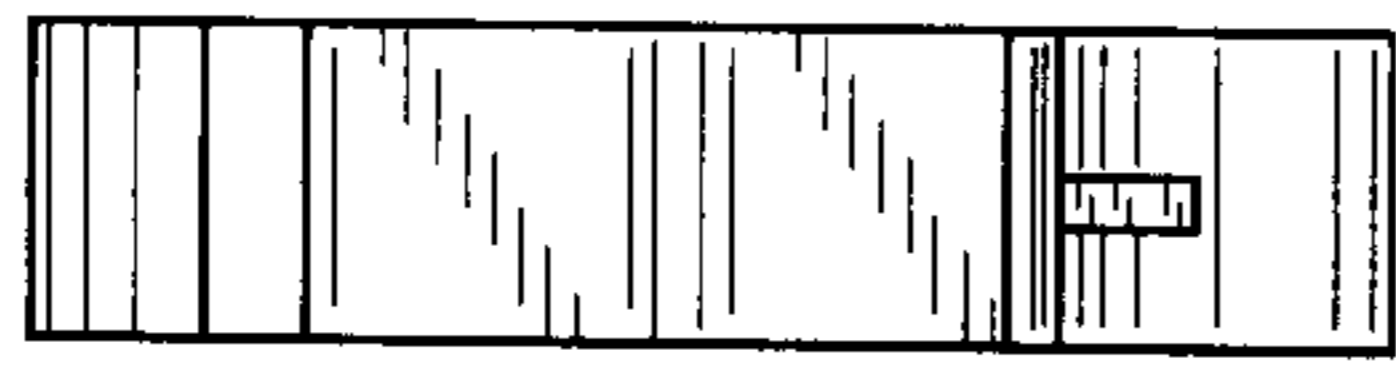


FIG. 1

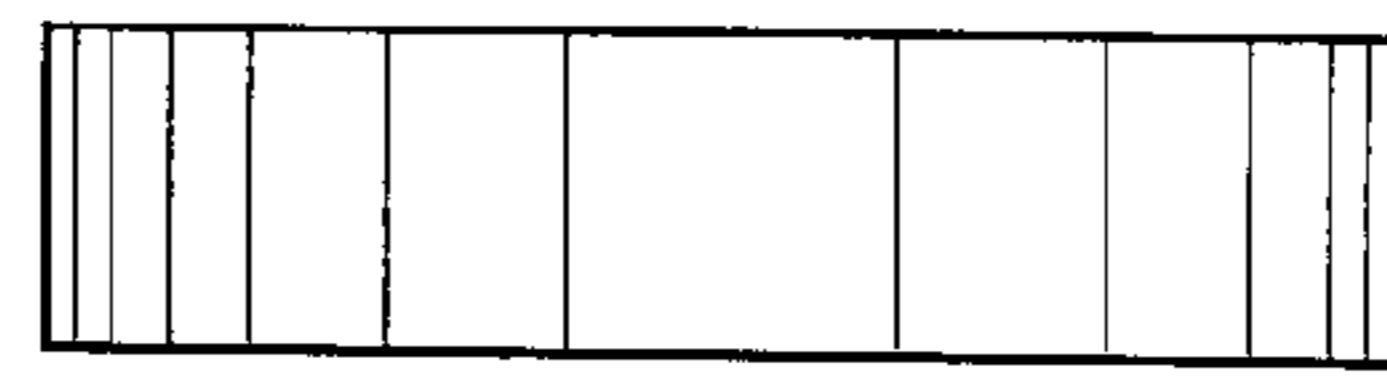


FIG. 2

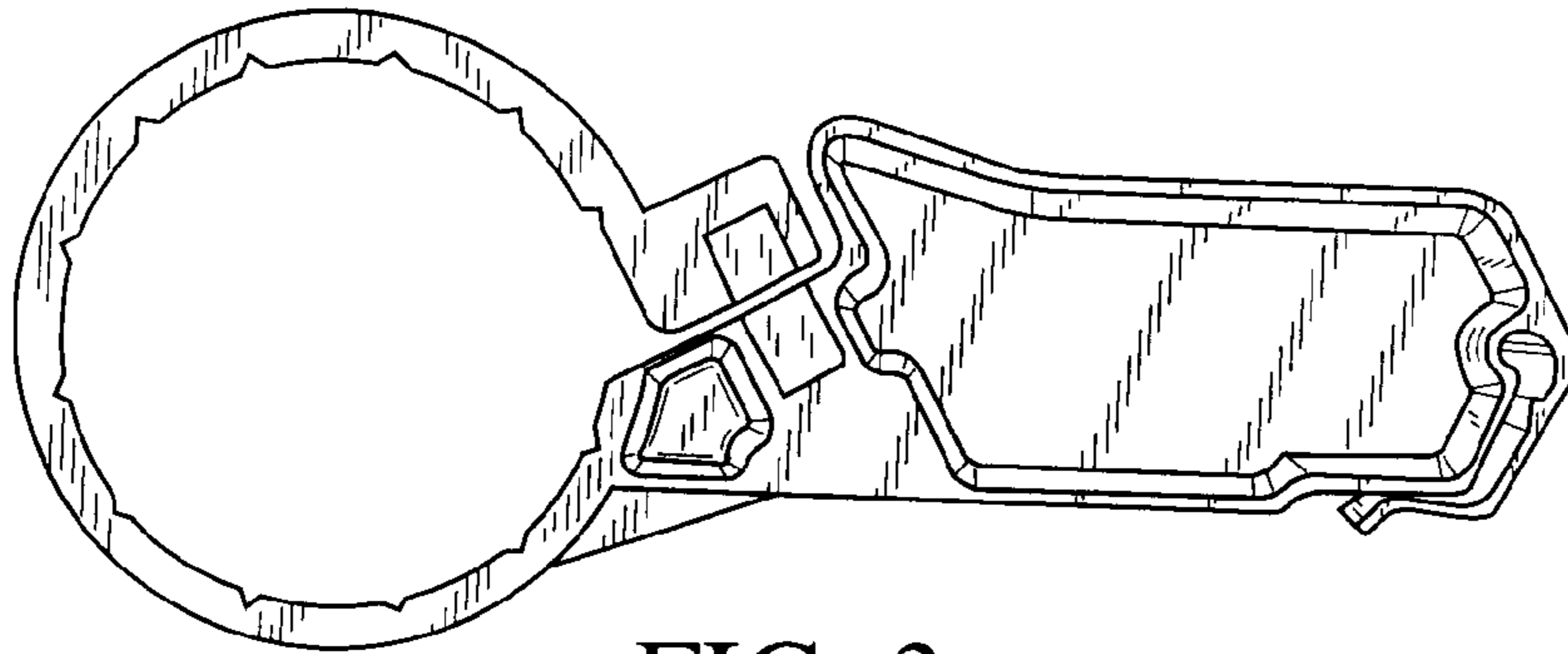


FIG. 3

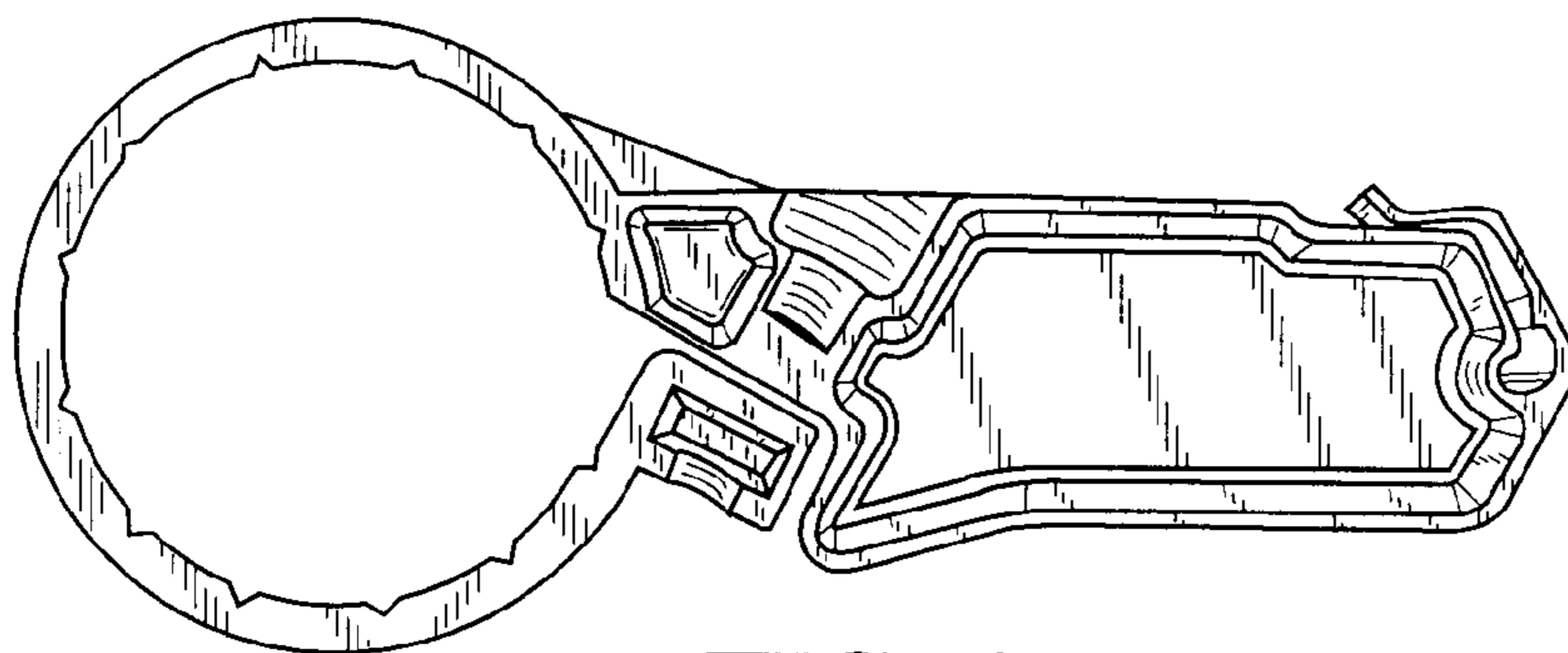


FIG. 4



FIG. 5



FIG. 6

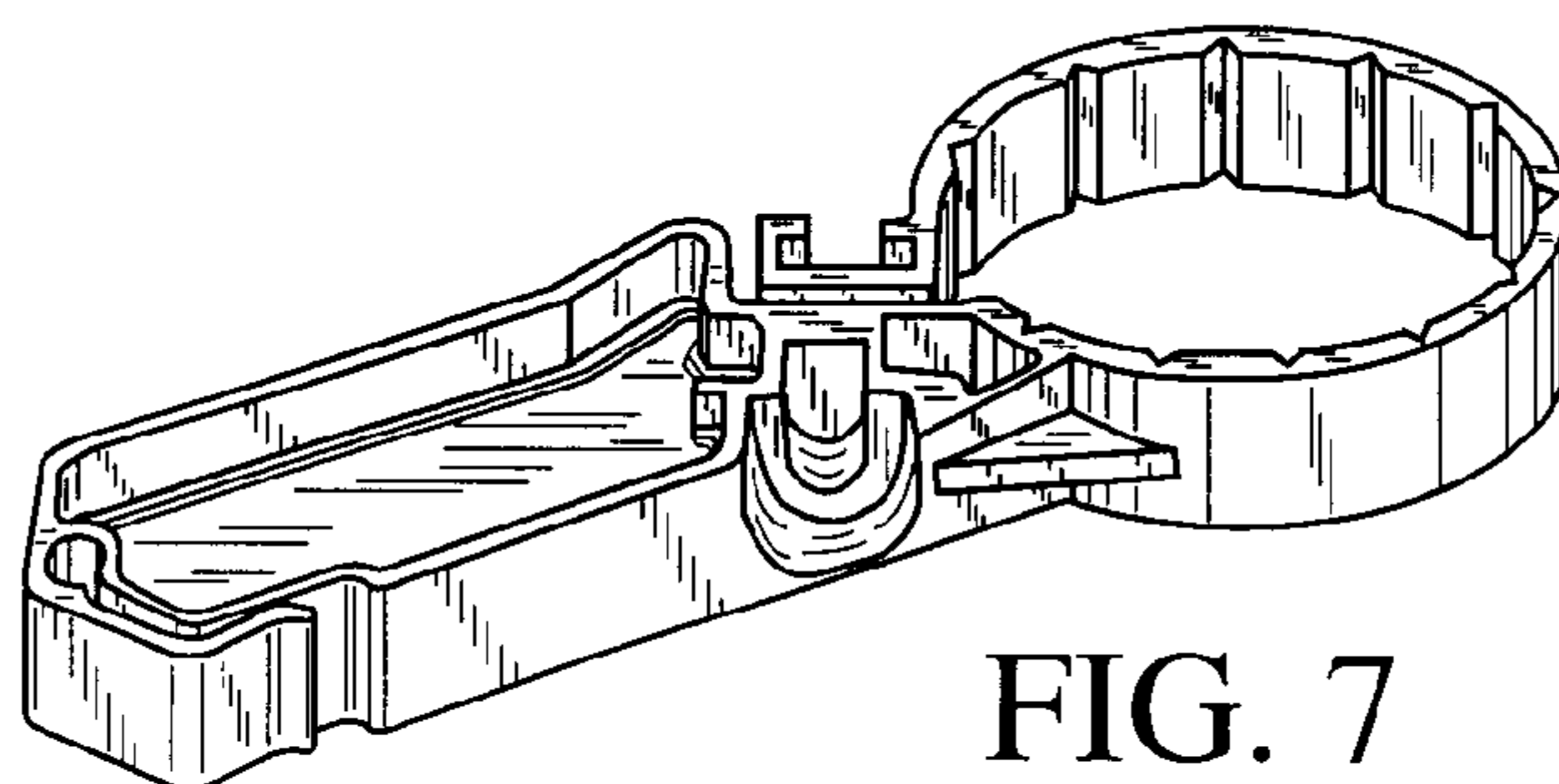


FIG. 7

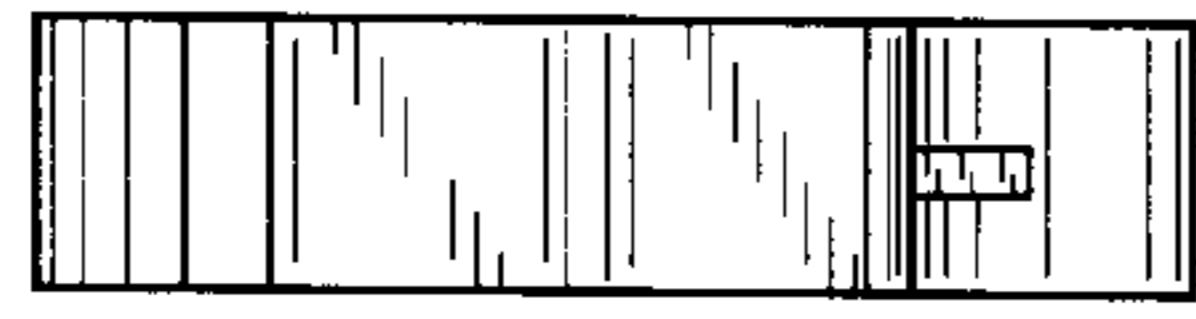


FIG. 8

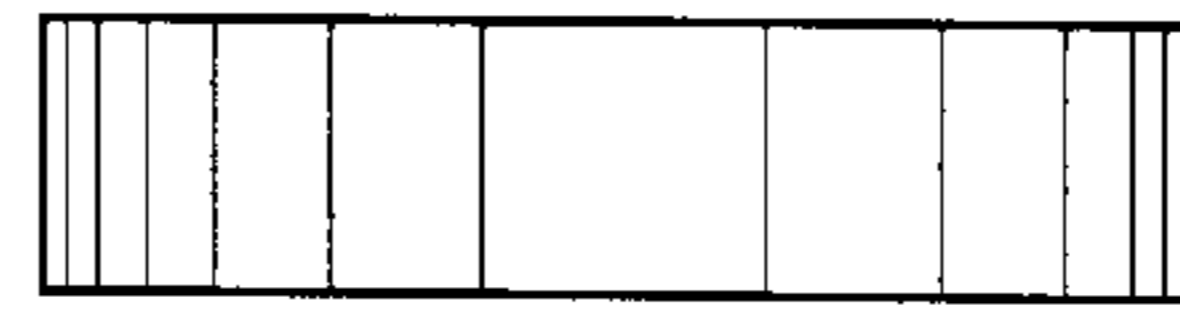


FIG. 9

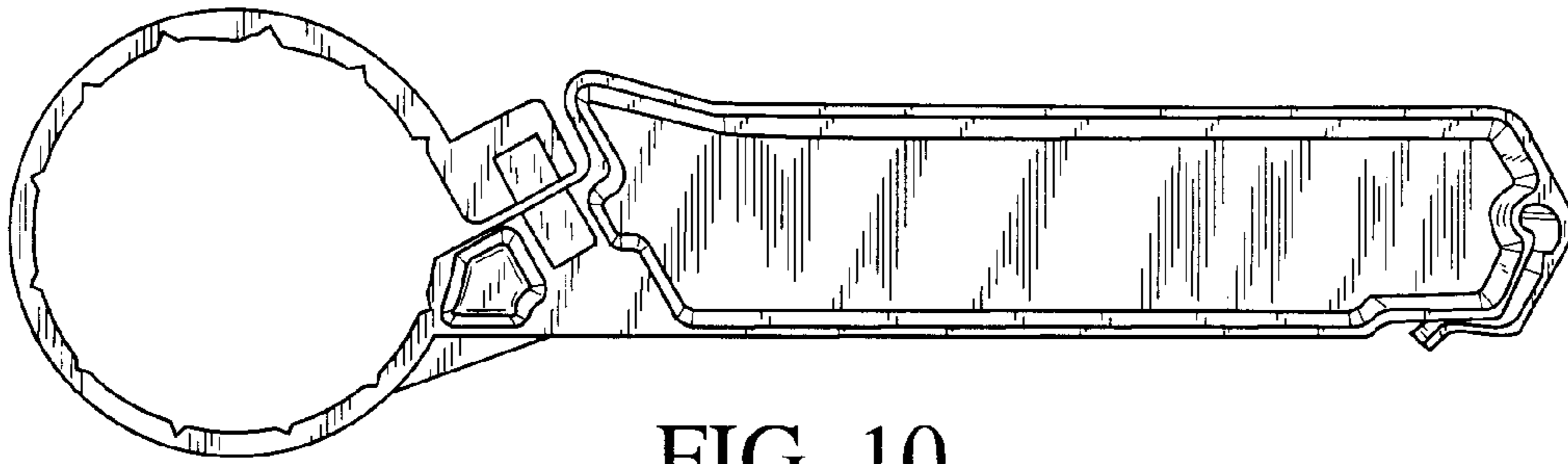


FIG. 10

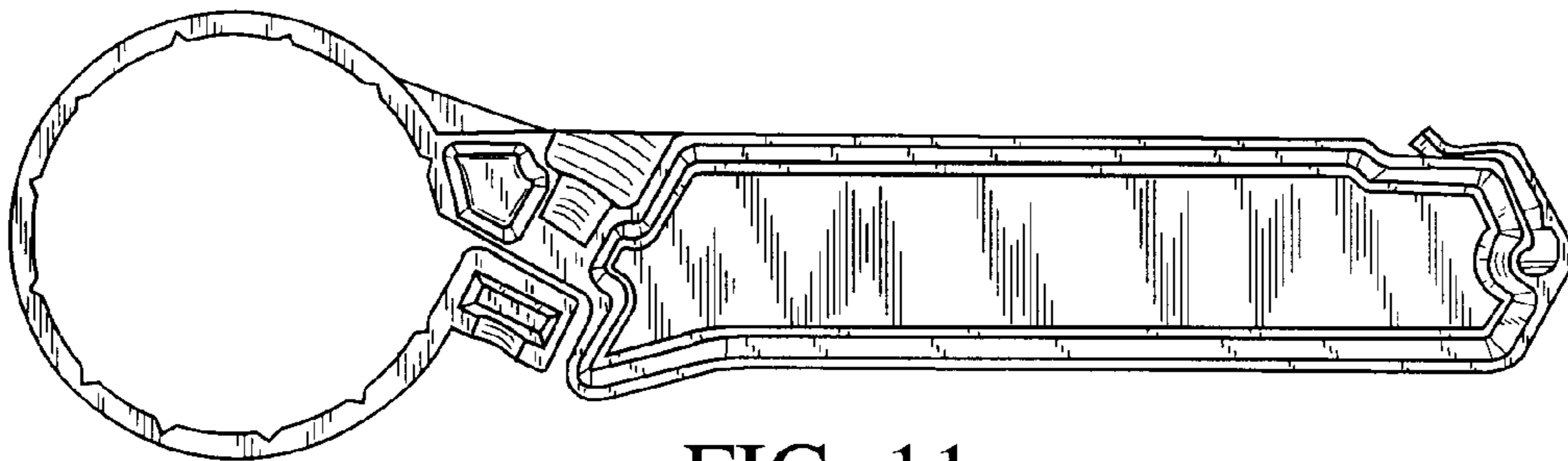


FIG. 11

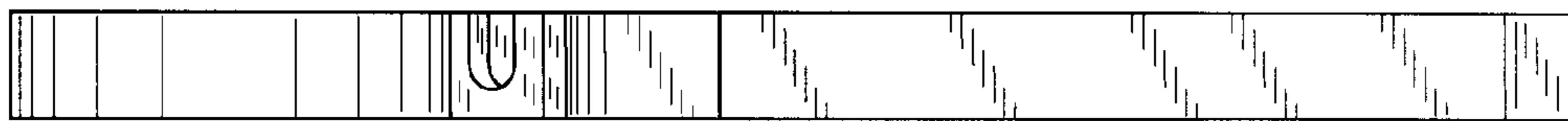


FIG. 12

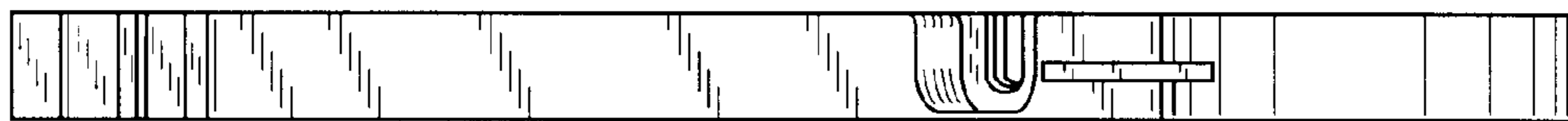


FIG. 13

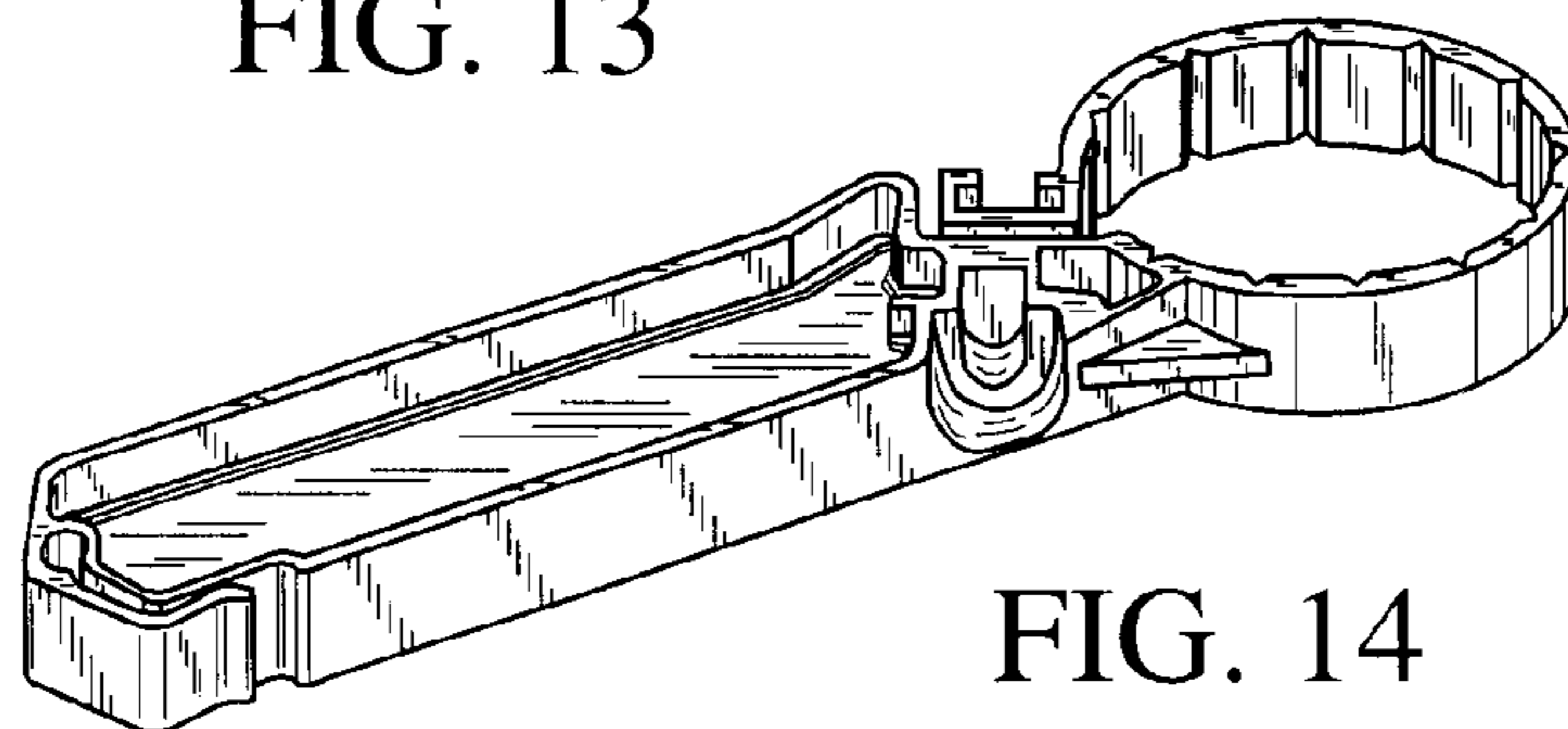


FIG. 14