

US00D517900S

(12) **United States Design Patent**
Goldenberg et al.

(10) **Patent No.:** **US D517,900 S**
(45) **Date of Patent:** **** Mar. 28, 2006**

- (54) **BUSHING**
- (75) Inventors: **Shaul Goldenberg**, Vaughan (CA);
Sean Davies, Vaughan (CA);
Sinnathamby Kupenthirarajan,
Vaughan (CA)
- (73) Assignee: **420820 Ontario Limited**, Vaughan
(CA)
- (**) Term: **14 Years**
- (21) Appl. No.: **29/199,148**
- (22) Filed: **Feb. 11, 2004**

- 4,752,652 A * 6/1988 Danti et al. 174/83
- 5,103,528 A * 4/1992 Olson et al. 16/2.2
- 5,170,938 A * 12/1992 Dewing 239/52
- 5,487,692 A * 1/1996 Mowrer et al. 446/465
- 5,687,506 A * 11/1997 Davies et al. 49/260
- 5,927,014 A * 7/1999 Goldenberg 49/182
- 6,086,327 A * 7/2000 Mack et al. 415/160
- D442,064 S * 5/2001 Chung D8/356
- 6,241,181 B1 * 6/2001 Campbell 242/578
- 6,655,444 B1 * 12/2003 Goldenberg et al. 160/405
- 6,701,994 B1 * 3/2004 Goldenberg et al. 160/31
- 2003/0070221 A1 * 4/2003 Goldenberg et al. 4/608
- 2003/0075281 A1 * 4/2003 Goldenberg et al. 160/23.1
- 2004/0216849 A1 * 11/2004 Goldenberg et al. 160/23.1

* cited by examiner

Related U.S. Application Data

- (63) Continuation-in-part of application No. 10/115,084, filed on
Apr. 4, 2002, now Pat. No. 6,701,994.

(30) **Foreign Application Priority Data**

Nov. 27, 2003 (CA) 105033

- (51) **LOC (8) Cl.** **08-05**
- (52) **U.S. Cl.** **D8/354**
- (58) **Field of Classification Search** D8/356,
D8/499; D9/452; 242/578.1, 376; 408/72 B;
174/83; 160/23.1, 405; 49/260, 182; 446/465
See application file for complete search history.

(56) **References Cited**

U.S. PATENT DOCUMENTS

- 2,209,274 A * 7/1940 Jaberg 174/83
- 3,397,280 A * 8/1968 Klumpp, Jr. 174/153 G
- 3,643,290 A * 2/1972 Milne 16/2.1
- 3,981,604 A * 9/1976 Cenis 408/72 B
- D261,357 S * 10/1981 Doonan D8/499
- 4,428,546 A * 1/1984 Weideman 242/578.1
- 4,535,196 A * 8/1985 Milne 174/83
- 4,726,538 A * 2/1988 Kovacik et al. 242/376

Primary Examiner—Cathron C. Brooks

Assistant Examiner—Austin Murphy

(74) *Attorney, Agent, or Firm*—Neil H. Hughes; Ivor M. Hughes; Marcelo Sarkis

(57) **CLAIM**

The ornamental design for a bushing, as shown and described.

DESCRIPTION

The bushing is used for connecting a cylindrical roll screen to a bracket that is used within a window or door frame.

FIG. 1 is a top perspective view of the bushing embodying the design.

FIG. 2 is a bottom perspective view of the bushing embodying the design.

FIG. 3 is a side elevational view of the bushing embodying the design.

FIG. 4 is a top view of the bushing embodying the design.

FIG. 5 is a bottom view of the bushing embodying the design; and,

FIG. 6 is a cross-sectional view of the bushing embodying the design.

1 Claim, 3 Drawing Sheets

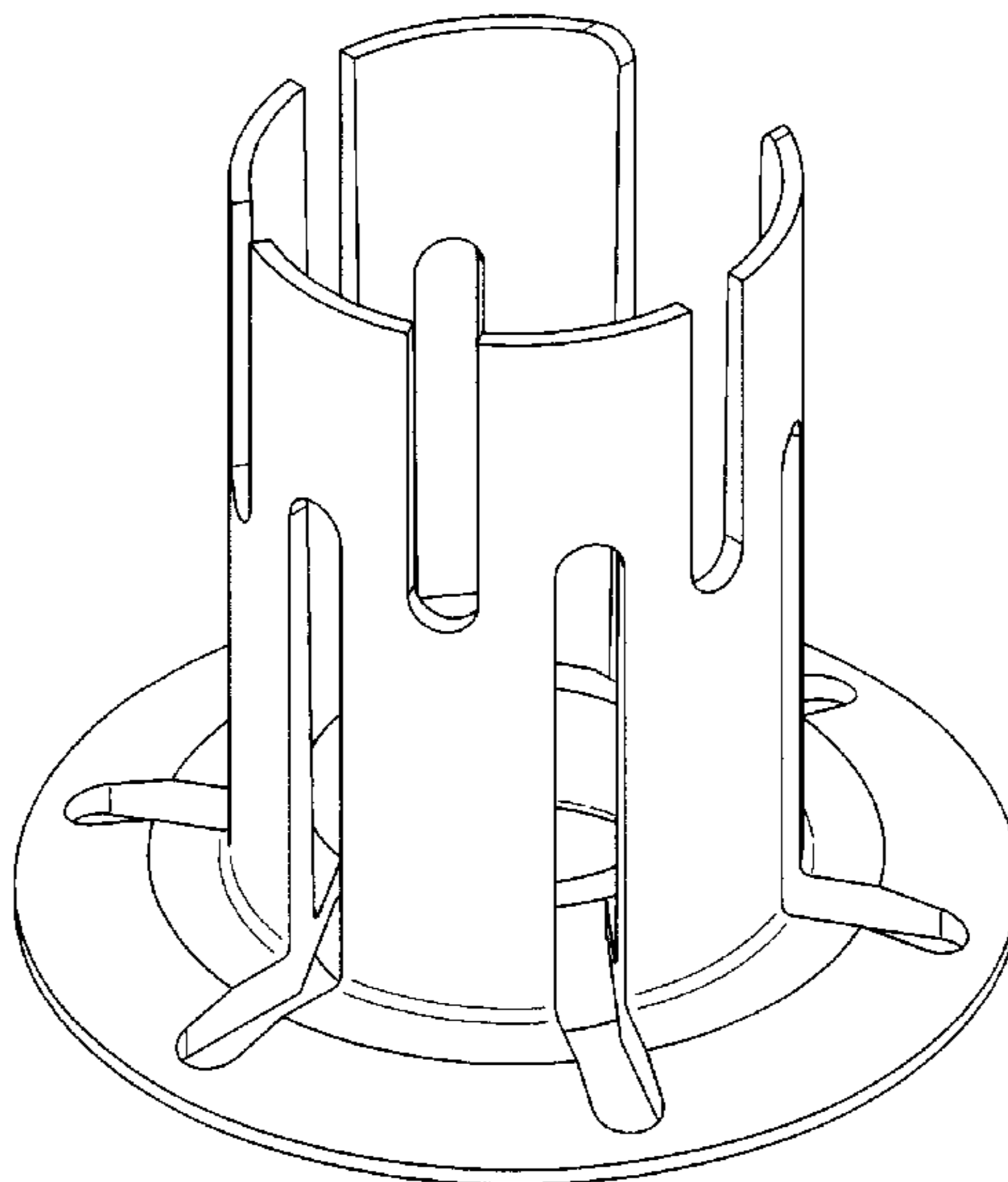


Figure 1

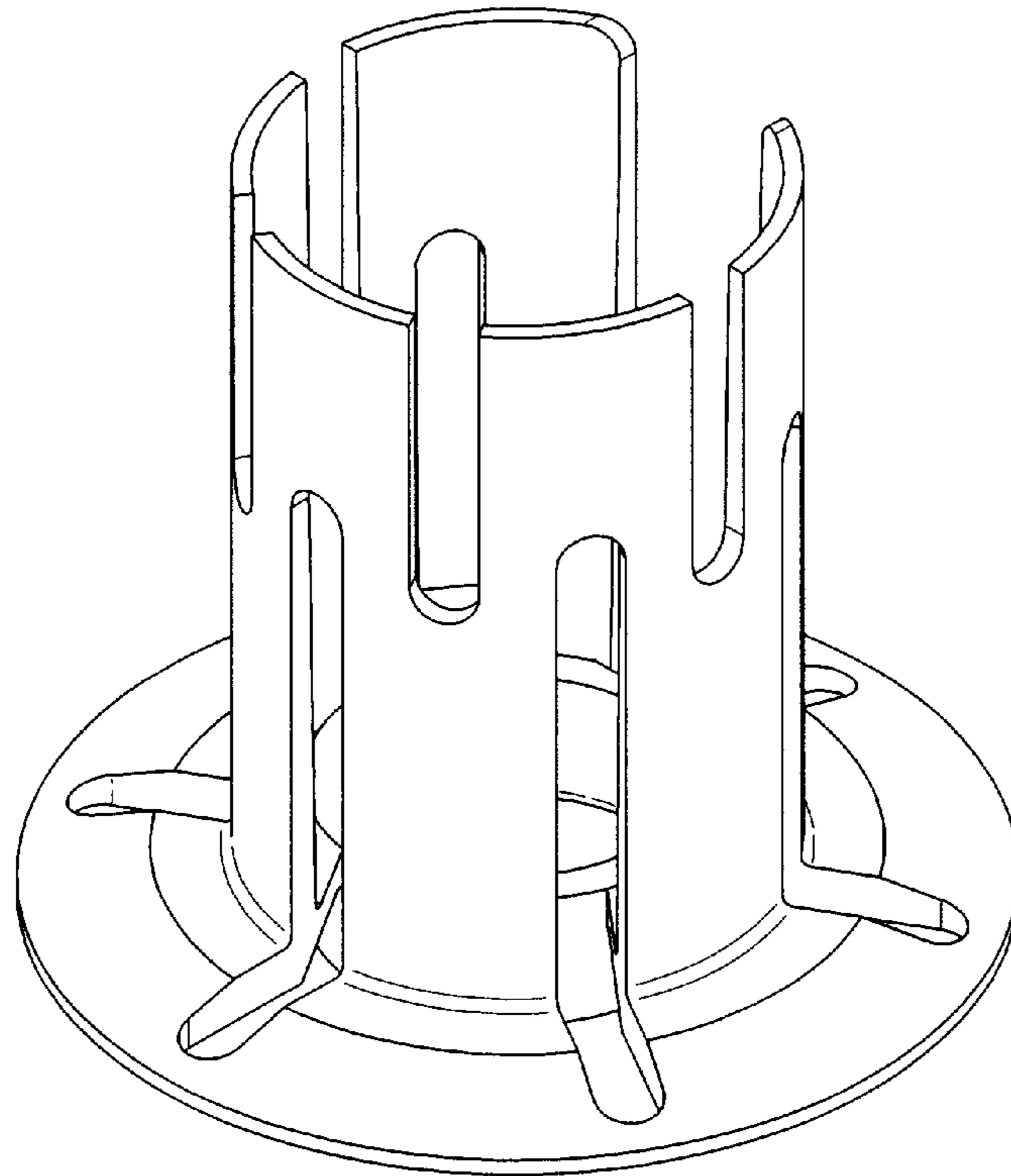


Figure 2

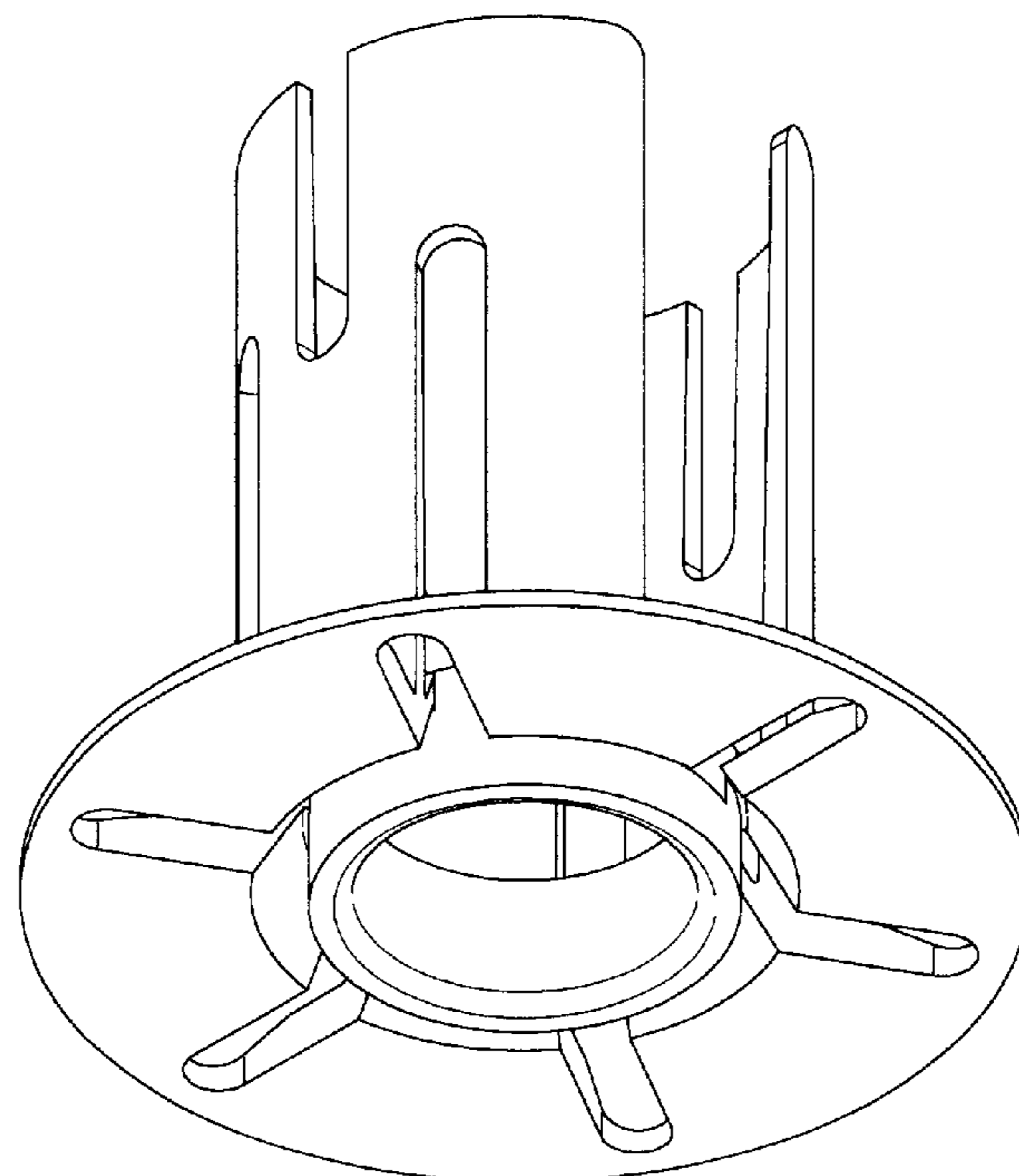


Figure 3

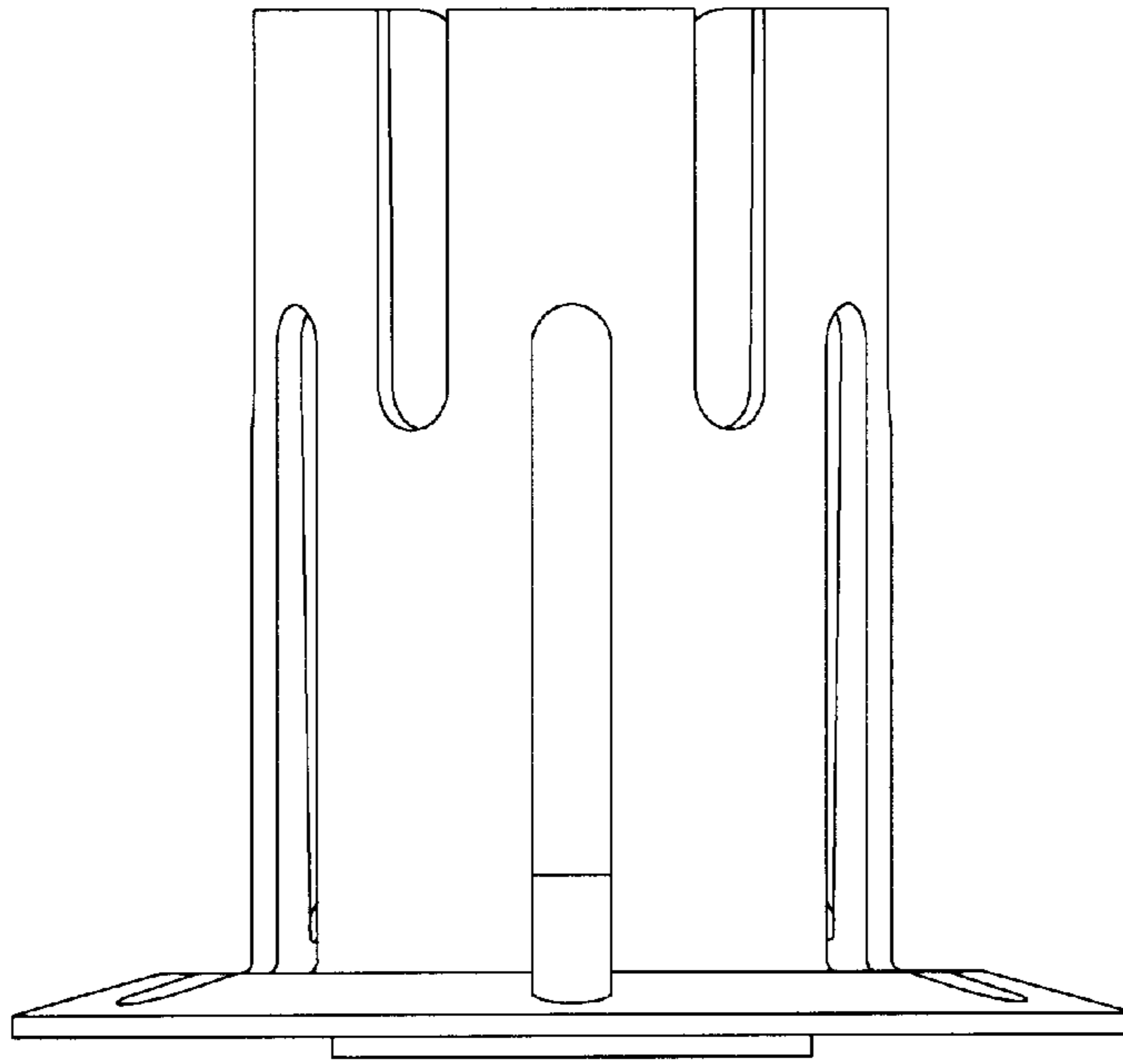


Figure 4

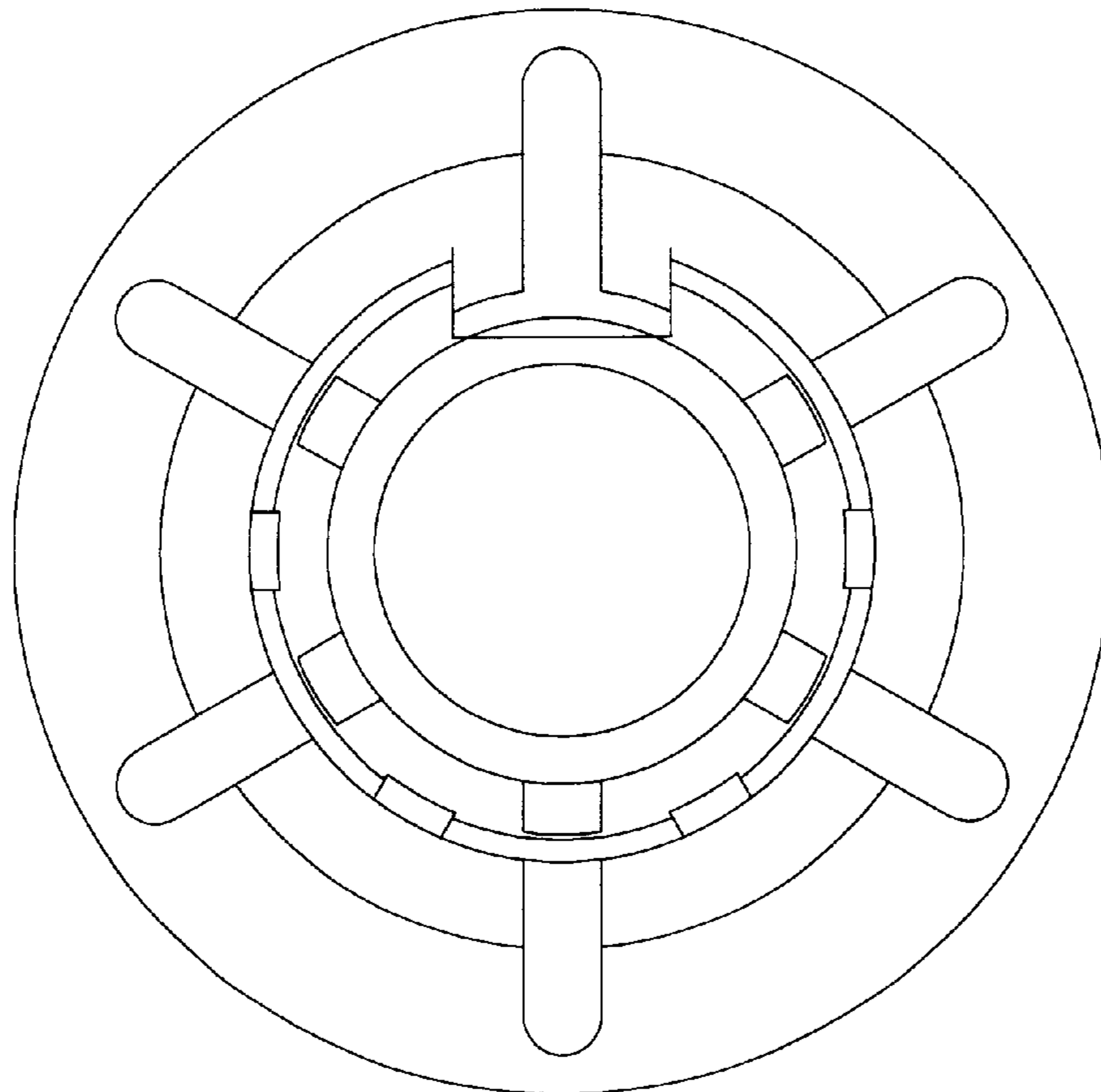


Figure 5

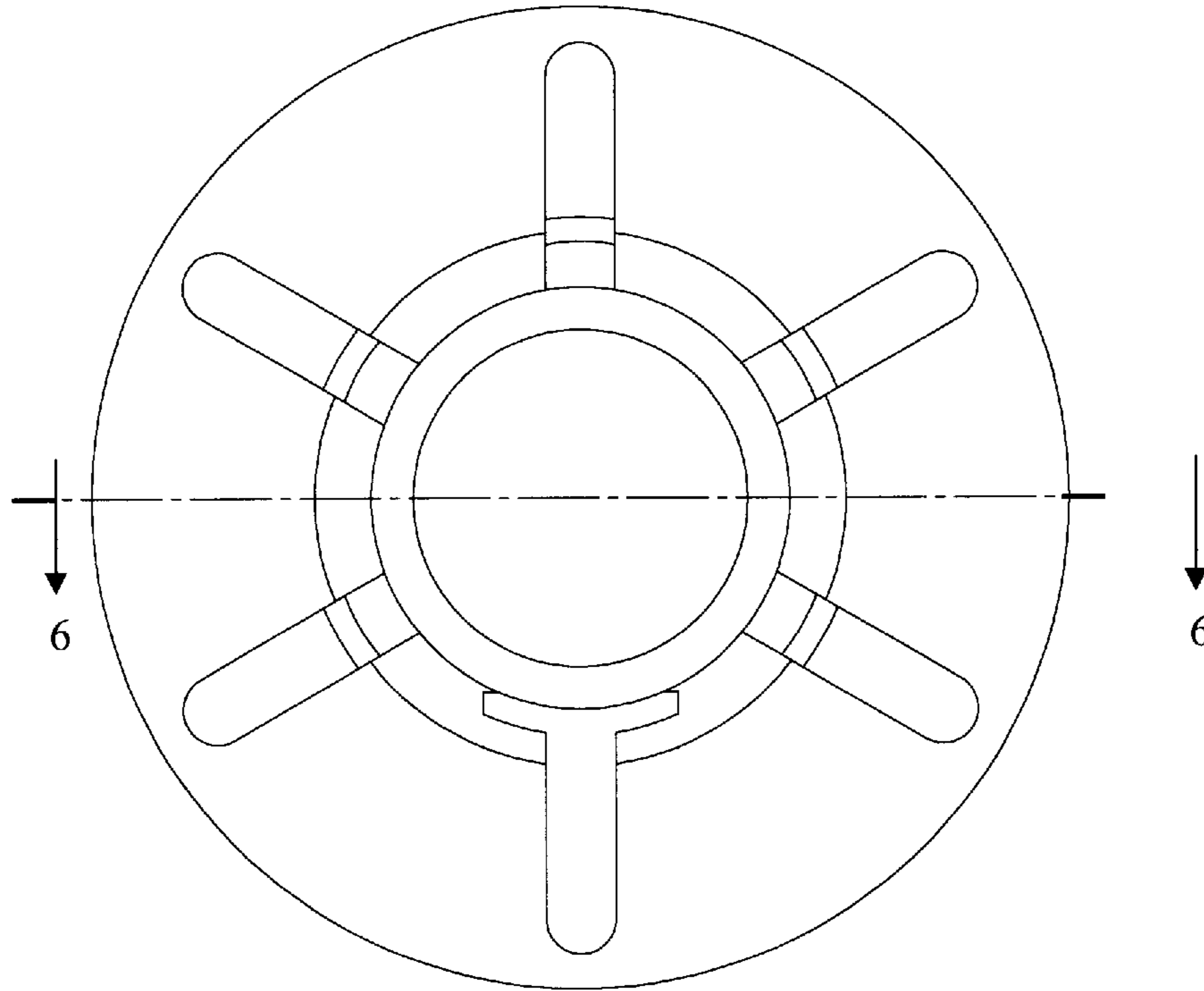


Figure 6

