

US00D517899S

(12) **United States Design Patent**
Pan

(10) **Patent No.:** **US D517,899 S**

(45) **Date of Patent:** **** Mar. 28, 2006**

(54) **COVER HEAD FOR A BATHROOM RACK SUPPORT**

(75) Inventor: **Chin-Chi Pan**, Changhua Hsien (TW)

(73) Assignee: **Sheng Tai Brassware Co., Ltd.**,
Changhua Hsien (TW)

(**) Term: **14 Years**

(21) Appl. No.: **29/217,620**

(22) Filed: **Nov. 22, 2004**

(51) **LOC (8) Cl.** **11-05**

(52) **U.S. Cl.** **D8/353**

(58) **Field of Classification Search** D8/350-353,
D8/363, 349, 373; D6/550, 546, 545, 524,
D6/540, 518-523; 211/13.1, 16, 18, 86.01,
211/87.01; 206/389

See application file for complete search history.

(56) **References Cited**

U.S. PATENT DOCUMENTS

| | | | | | |
|------------|---|---------|--------------|-------|---------|
| D120,972 S | * | 6/1940 | Desser | | D6/550 |
| D199,391 S | * | 10/1964 | Van Ripper | | D8/363 |
| D232,988 S | * | 10/1974 | Tegner | | D6/550 |
| D256,011 S | * | 7/1980 | Matsuda | | D13/171 |
| D293,989 S | * | 2/1988 | Tegner | | D6/550 |
| D326,382 S | * | 5/1992 | Ko | | D6/550 |
| D400,036 S | * | 10/1998 | Moore et al. | | D6/550 |

| | | | | | |
|------------|---|---------|-----------------|-------|--------|
| D409,032 S | * | 5/1999 | Kuo | | D6/550 |
| D416,469 S | * | 11/1999 | Lentz | | D8/349 |
| D449,477 S | * | 10/2001 | Travis | | D6/546 |
| D477,481 S | * | 7/2003 | Ouano | | D6/523 |
| D498,377 S | * | 11/2004 | Pan | | D6/524 |
| D500,934 S | * | 1/2005 | Petersen-Rutten | | D6/523 |

* cited by examiner

Primary Examiner—Stella Reid

Assistant Examiner—Mark A. Goodwin

(74) *Attorney, Agent, or Firm*—Bacon & Thomas, PLLC

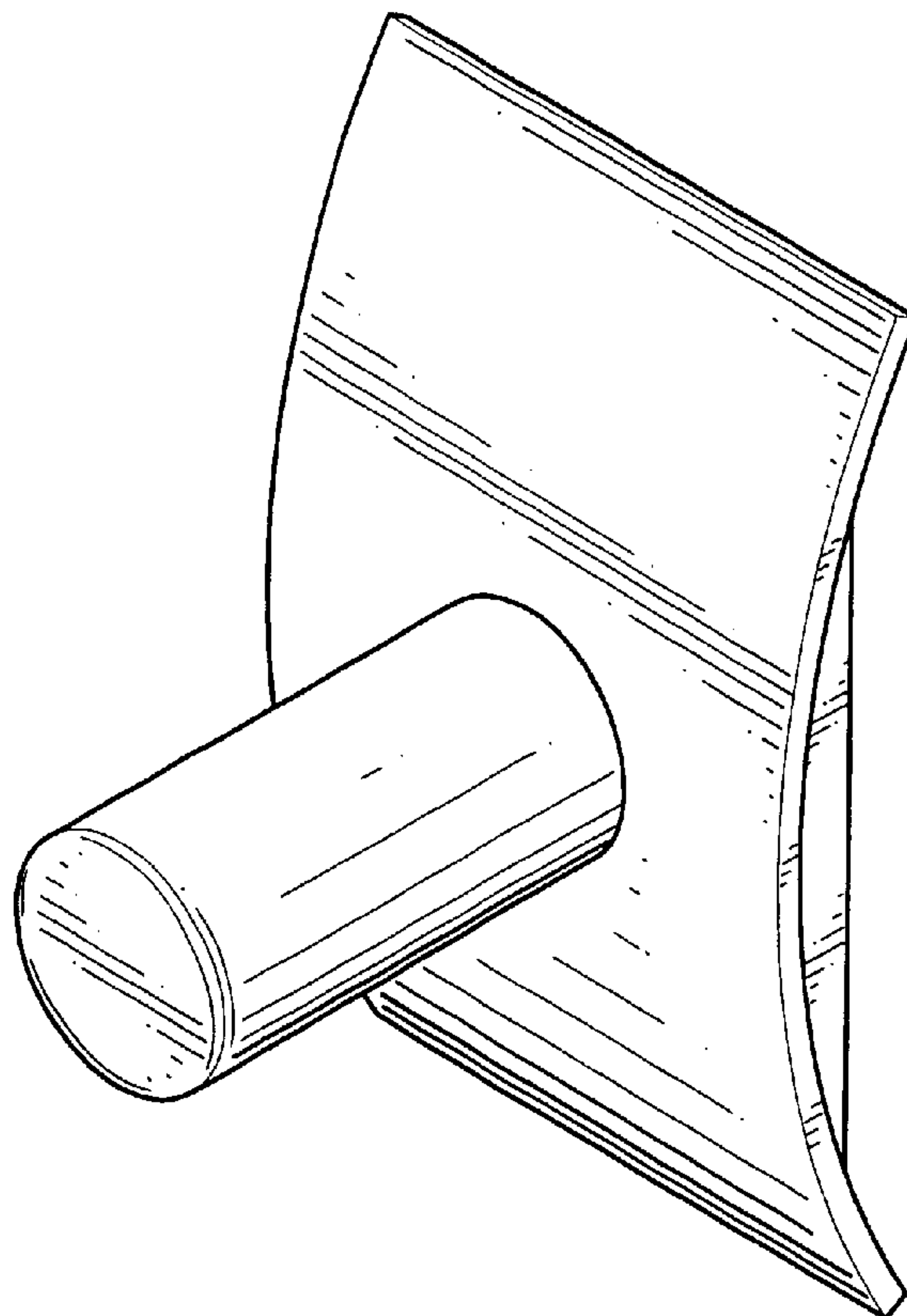
(57) **CLAIM**

The ornamental design for a cover head for a bathroom rack support, as shown and described.

DESCRIPTION

FIG. 1 is a perspective view of the cover head for a bathroom rack support showing my new design; FIG. 2 is a front elevational view thereof; FIG. 3 is a rear elevational view thereof; FIG. 4 is a left side view thereof; FIG. 5 is a right side view thereof; FIG. 6 is a top view thereof; FIG. 7 is a bottom view thereof; and, FIG. 8 is a perspective view of a cover head for a bathroom rack support, with a towel rack and toilet paper roll shown in broken lines for illustrative purposes only and forming no part of the claimed design.

1 Claim, 5 Drawing Sheets



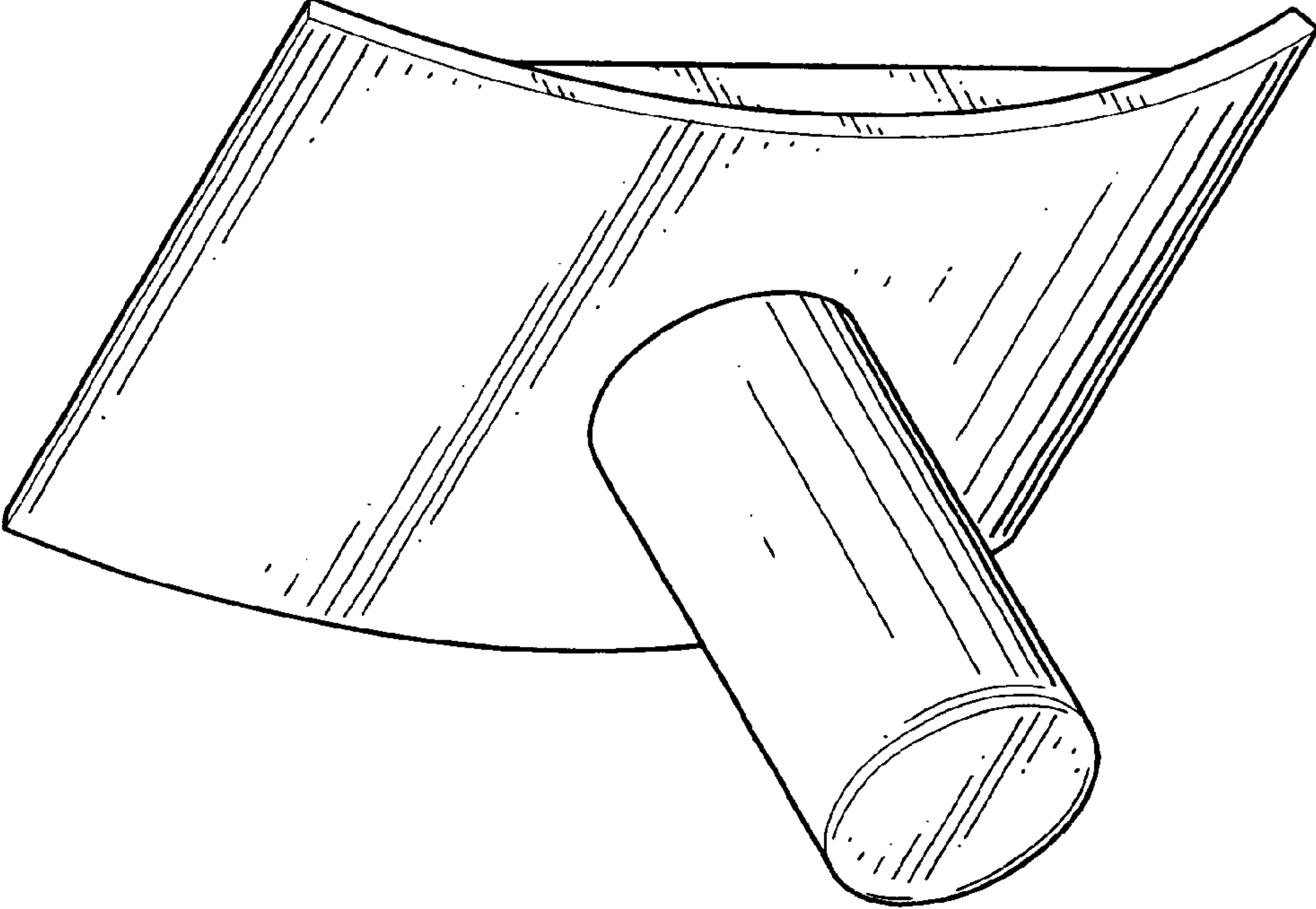


FIG.1

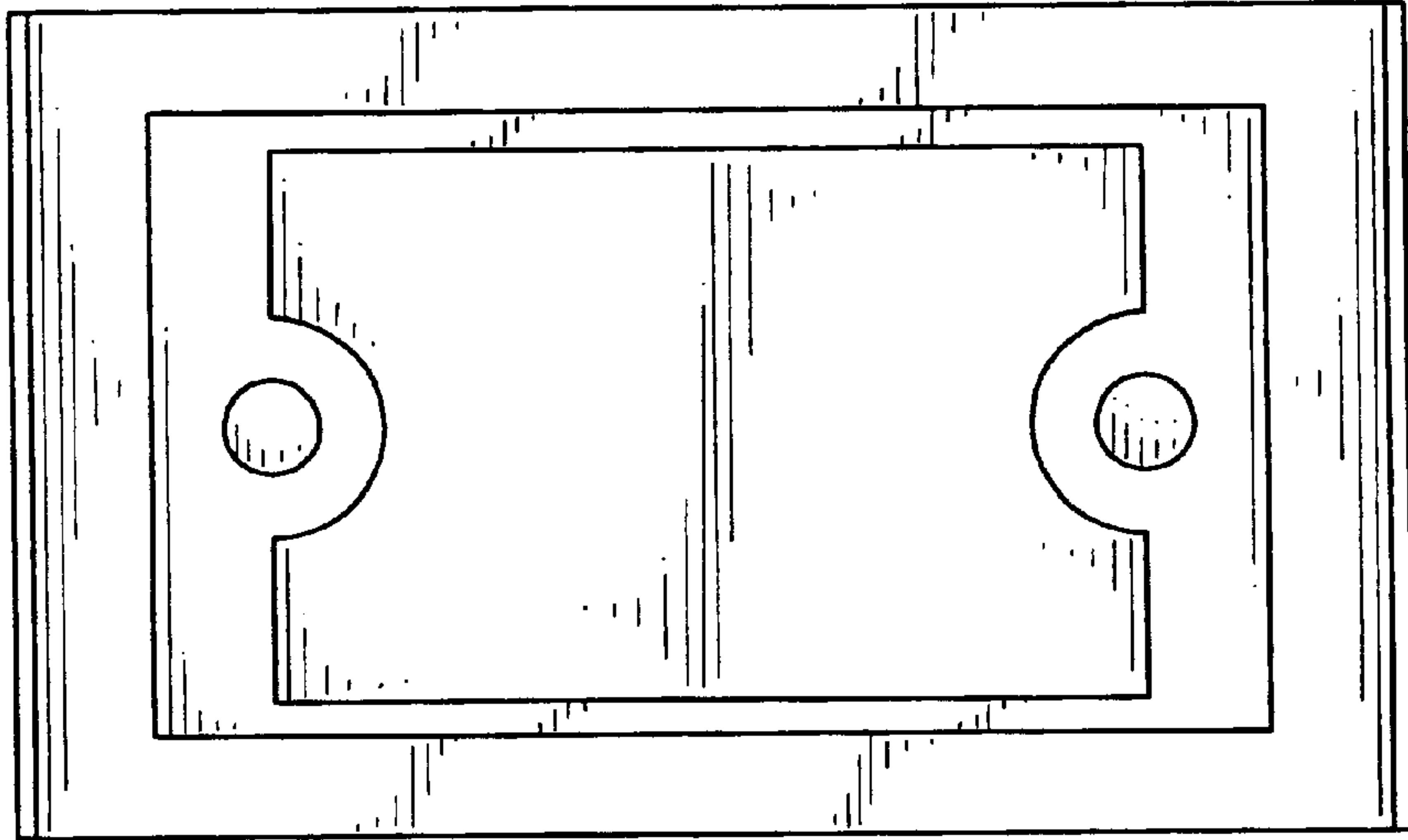


FIG.3

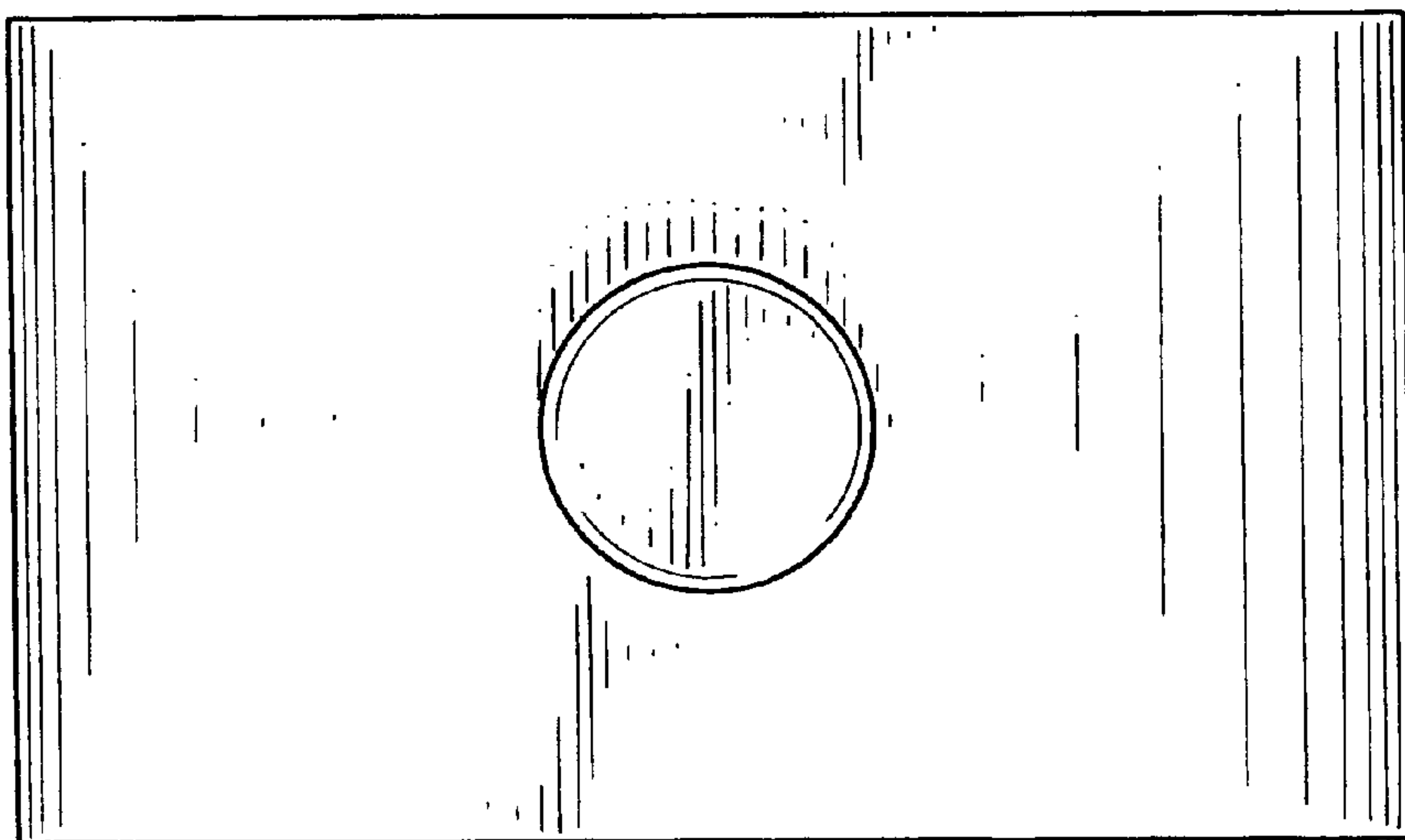


FIG.2

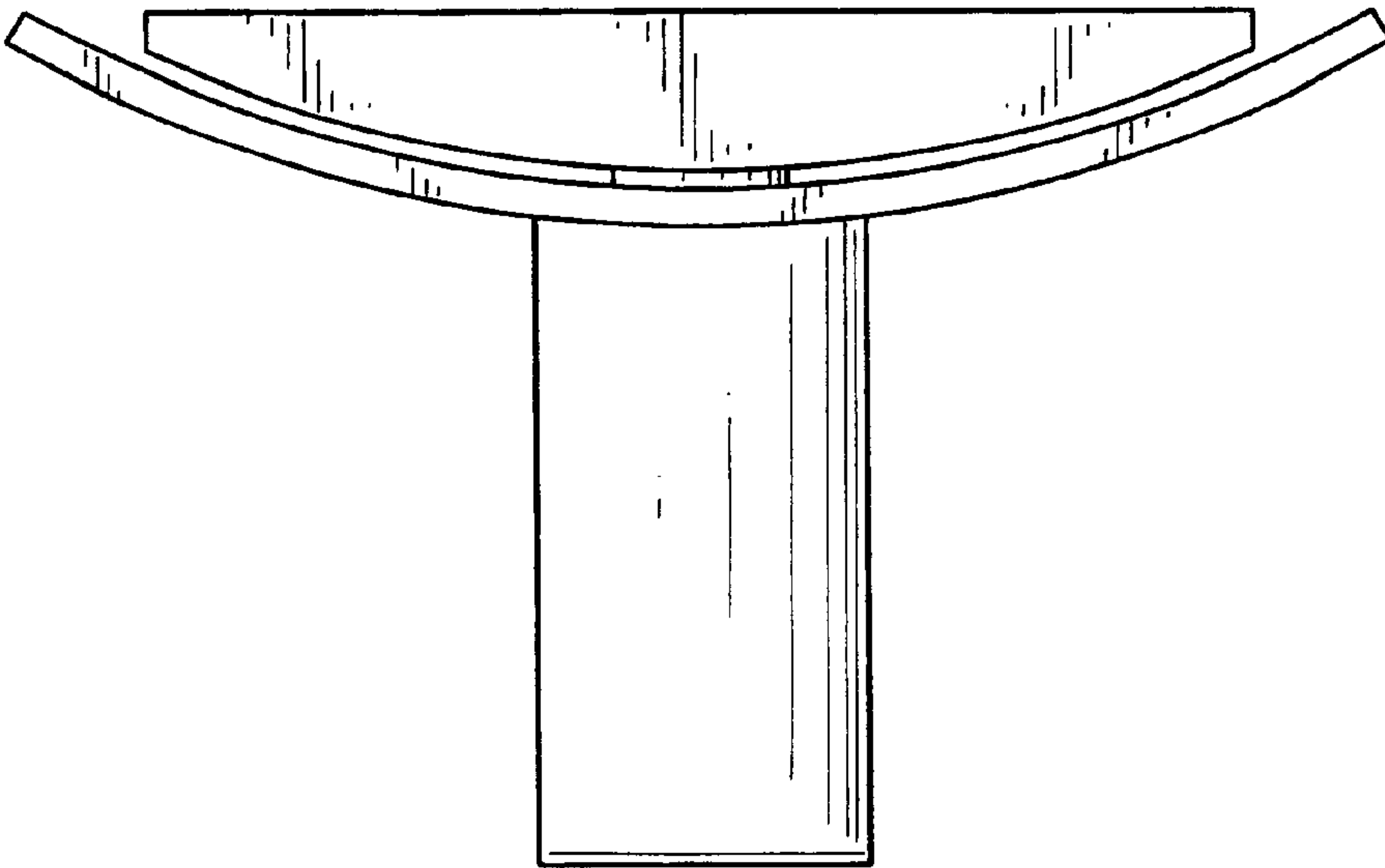


FIG.5

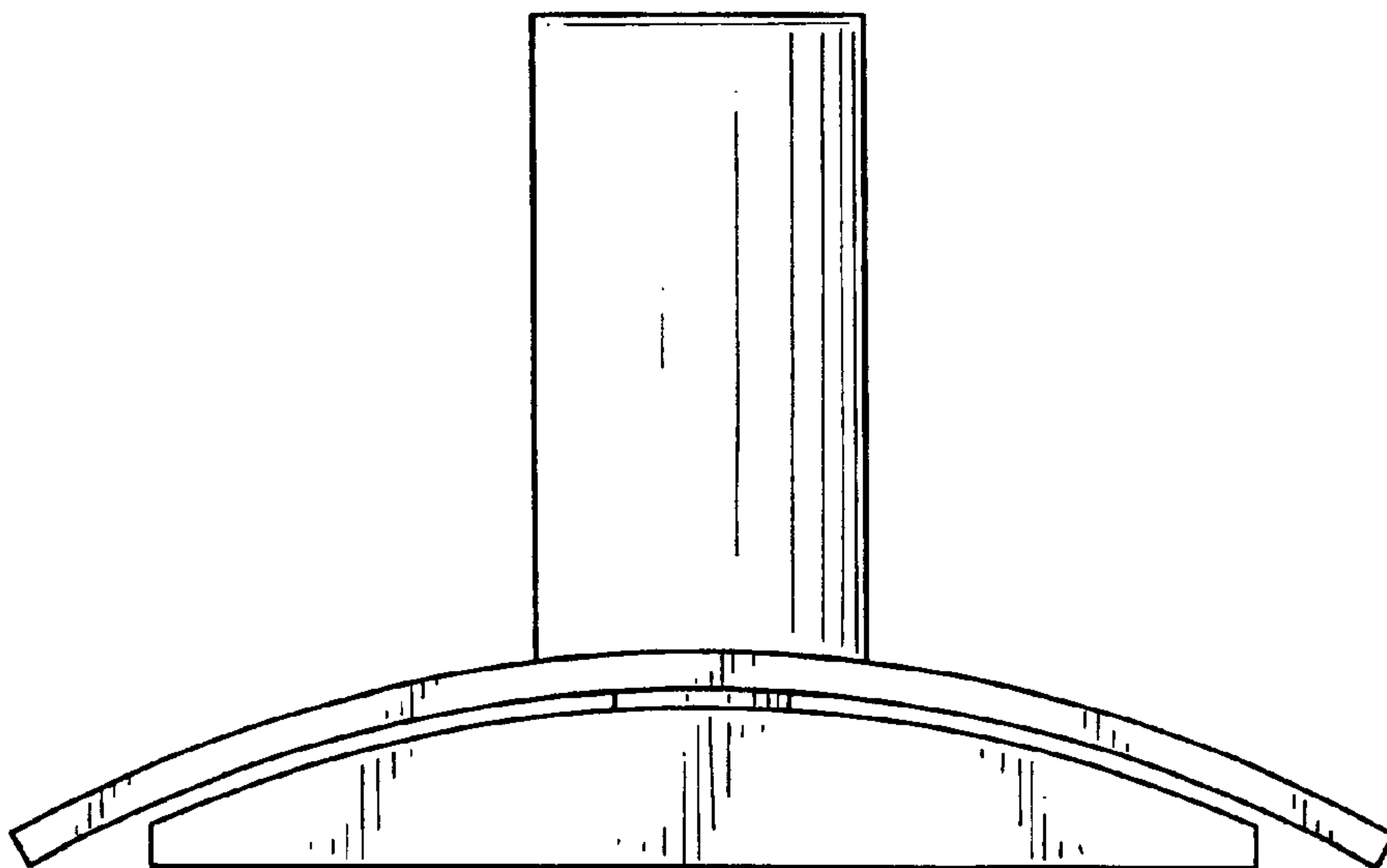


FIG.4

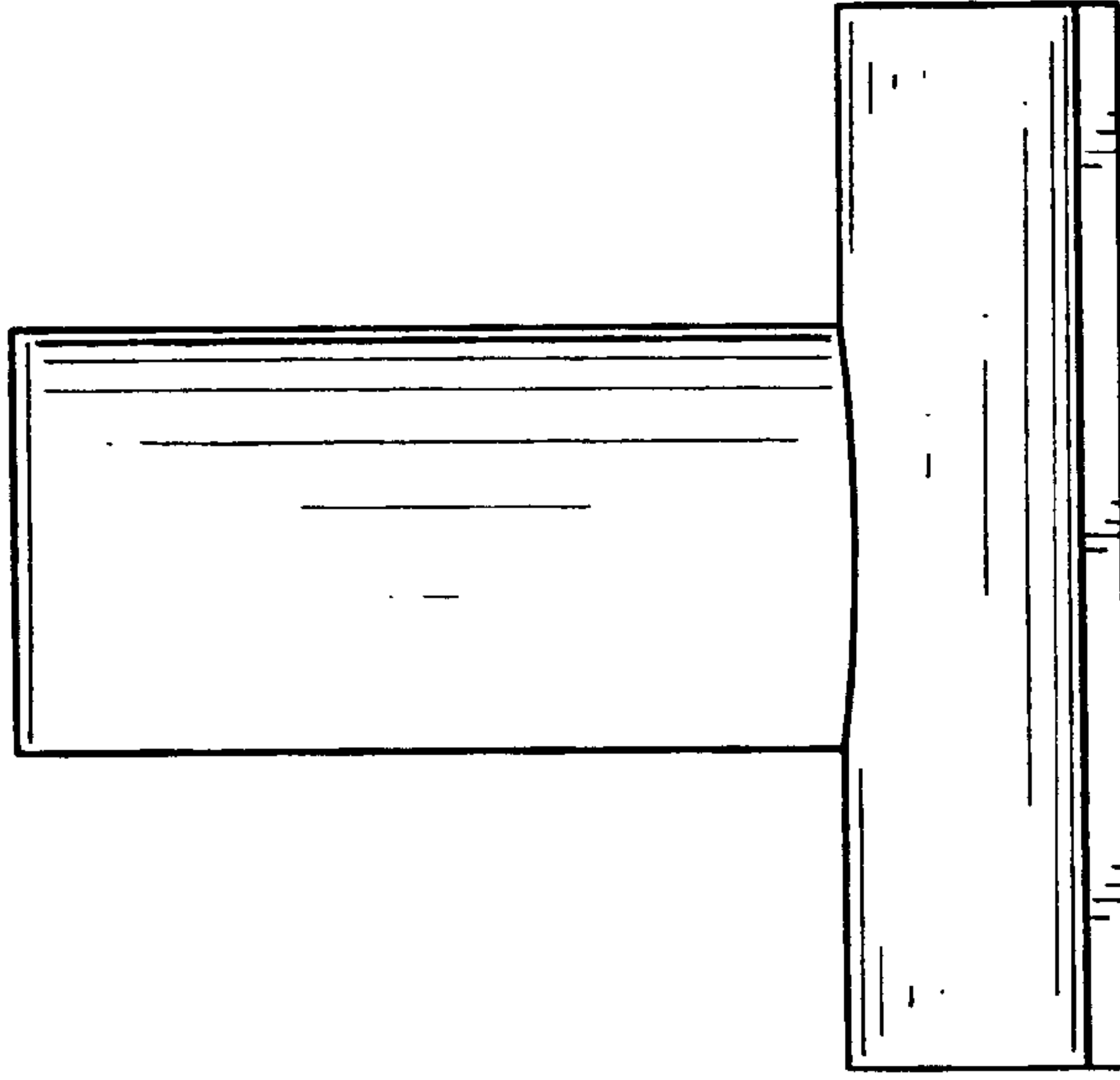


FIG. 6

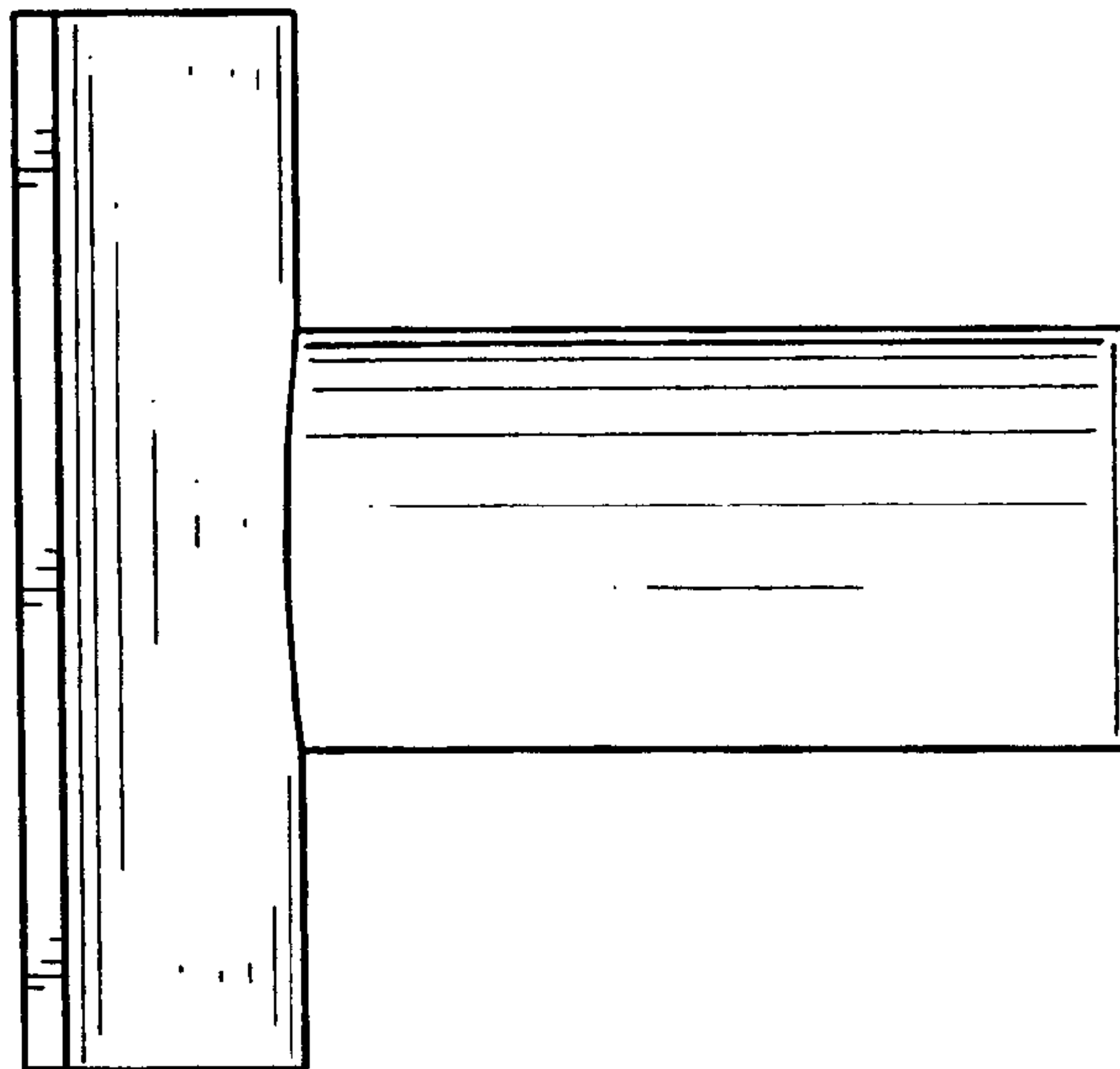


FIG. 7

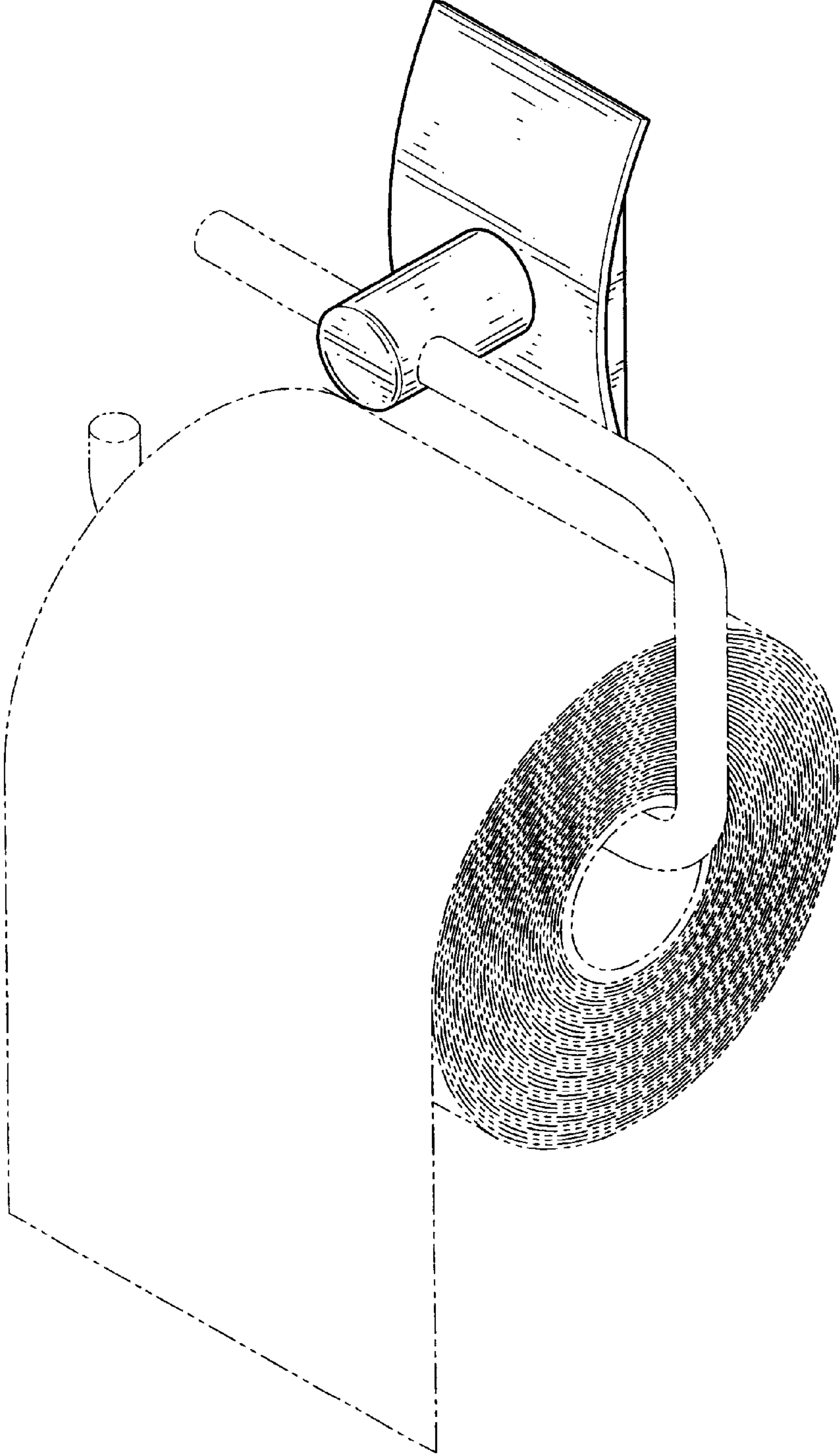


FIG.8