



US00D517894S

(12) **United States Design Patent**
Kondo et al.

(10) **Patent No.:** **US D517,894 S**
(45) **Date of Patent:** **** Mar. 28, 2006**

(54) **UTILITY KNIFE**

(75) Inventors: **Katsuyuki Kondo**, Otsu (JP);
Mitsuhiro Takamasa, Kameoka (JP)

(73) Assignee: **KDS Corporation**, Kyoto (JP)

(**) Term: **14 Years**

(21) Appl. No.: **29/211,962**

(22) Filed: **Aug. 25, 2004**

(30) **Foreign Application Priority Data**

Jul. 9, 2004 (JP) 2004-020855

(51) **LOC (8) Cl.** **08-03**

(52) **U.S. Cl.** **D8/99**

(58) **Field of Classification Search** D8/98,
D8/99, 105, 107; 30/320, 329, 335, 337,
30/161, 162

See application file for complete search history.

(56) **References Cited**

U.S. PATENT DOCUMENTS

5,269,063	A	*	12/1993	Okada	30/162
D386,959	S	*	12/1997	Okada	D8/99
D398,829	S	*	9/1998	Okada	D8/99
D399,114	S	*	10/1998	Okada	D8/99
D431,170	S	*	9/2000	Okada	D8/98

D436,825	S	*	1/2001	Chen	D8/99
D442,054	S	*	5/2001	Okada et al.	D8/99
D443,807	S	*	6/2001	Okada	D8/99
D453,673	S	*	2/2002	Chen	D8/99
D453,896	S	*	2/2002	Hirai	D8/99
D459,189	S	*	6/2002	Chong	D8/99
D499,948	S	*	12/2004	Kondo et al.	D8/99

* cited by examiner

Primary Examiner—Philip S. Hyder

(74) *Attorney, Agent, or Firm*—Birch, Stewart, Kolasch & Birch, LLP

(57) **CLAIM**

The ornamental design for a utility knife, as shown.

DESCRIPTION

FIG. 1 is a perspective view of a utility knife showing our new design;

FIG. 2 is a front view thereof;

FIG. 3 is a rear view thereof;

FIG. 4 is a top plan view thereof;

FIG. 5 is a bottom plan view thereof;

FIG. 6 is a right side view thereof;

FIG. 7 is a left side view thereof; and,

FIG. 8 is a perspective view thereof, wherein the blade is in the extended position.

1 Claim, 3 Drawing Sheets

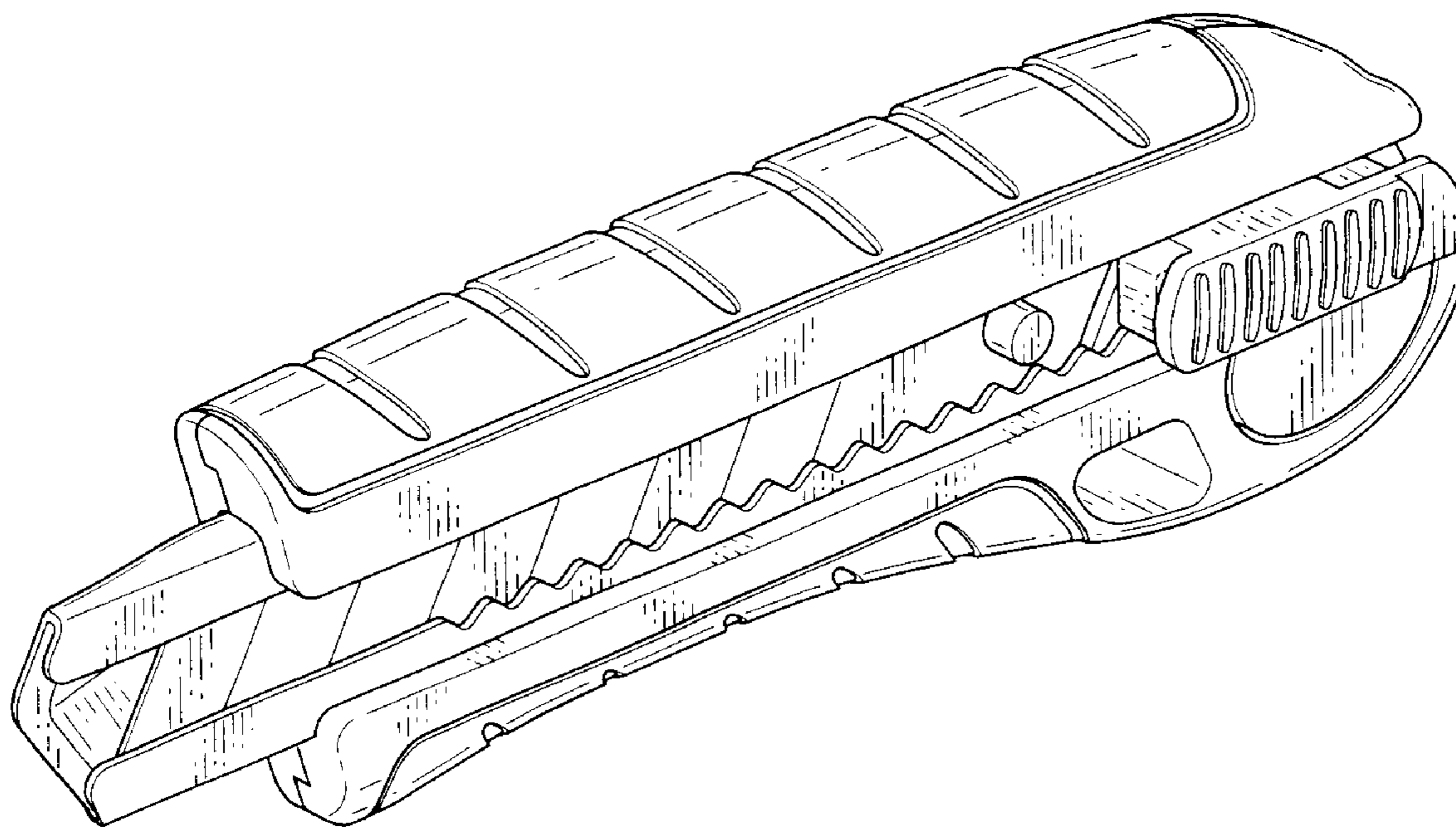


Fig. 1

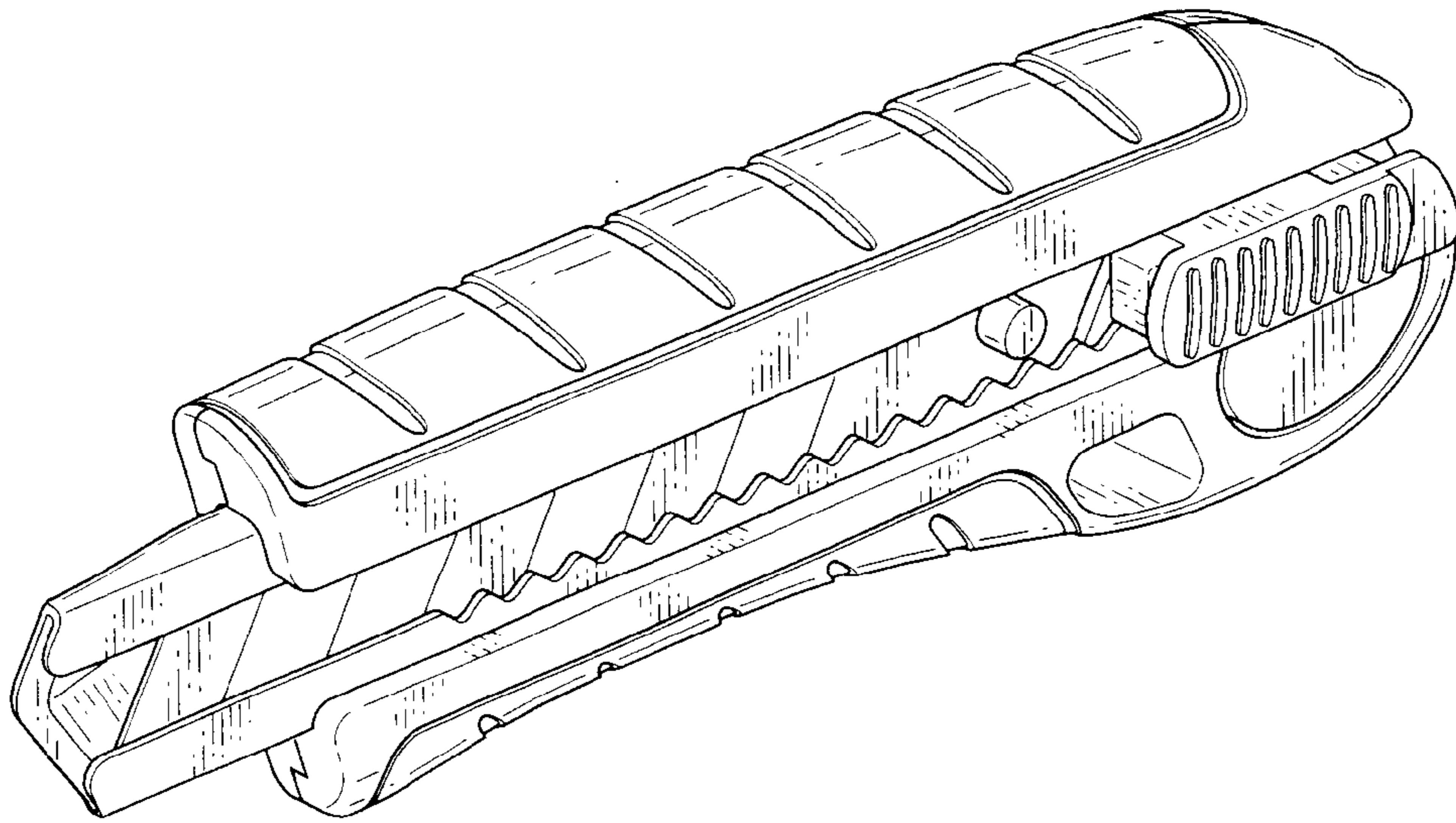


Fig. 2

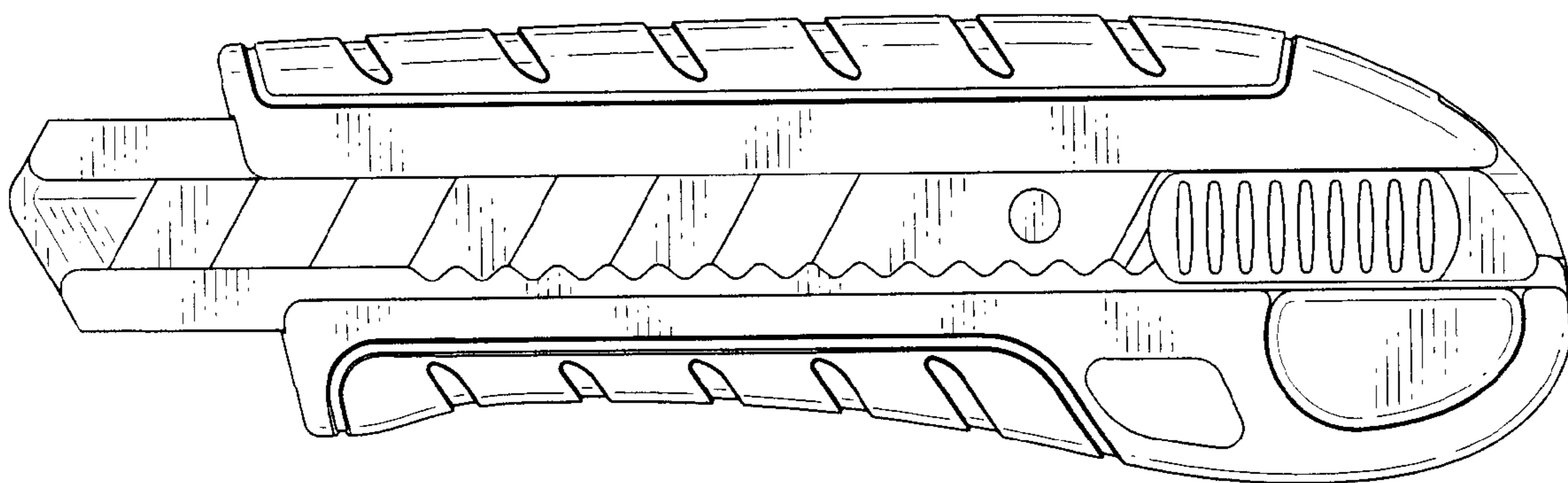


Fig. 3

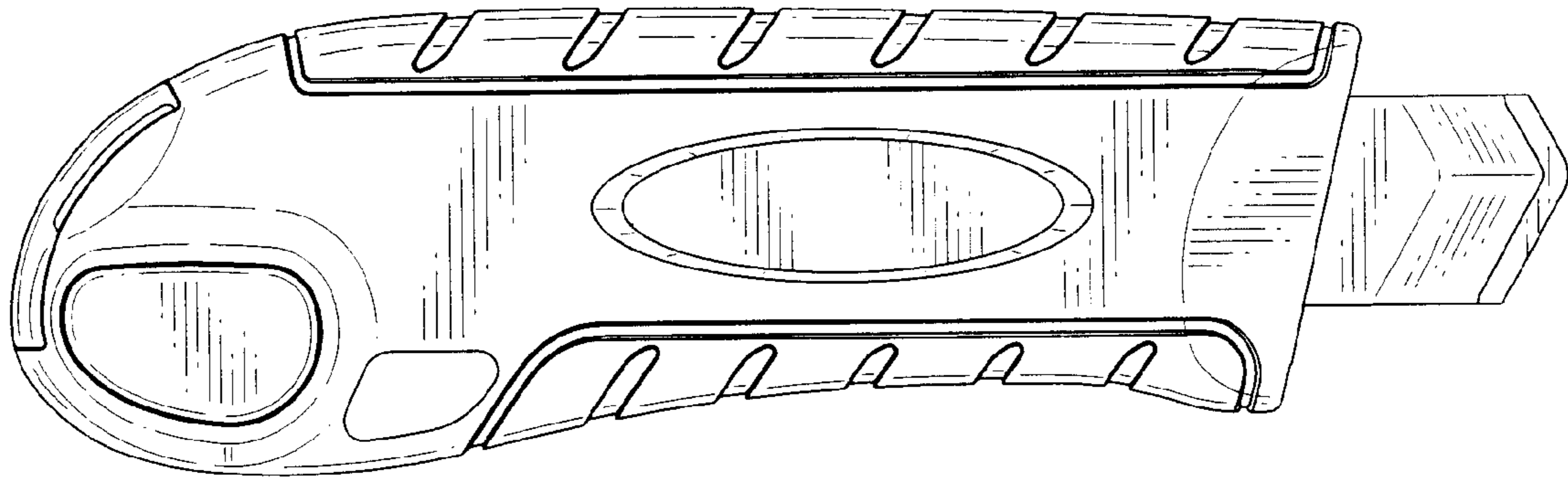


Fig. 4

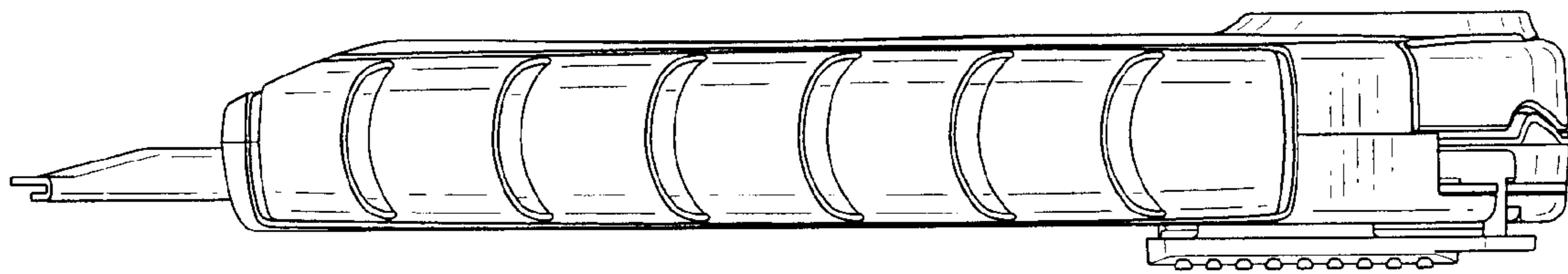


Fig. 5

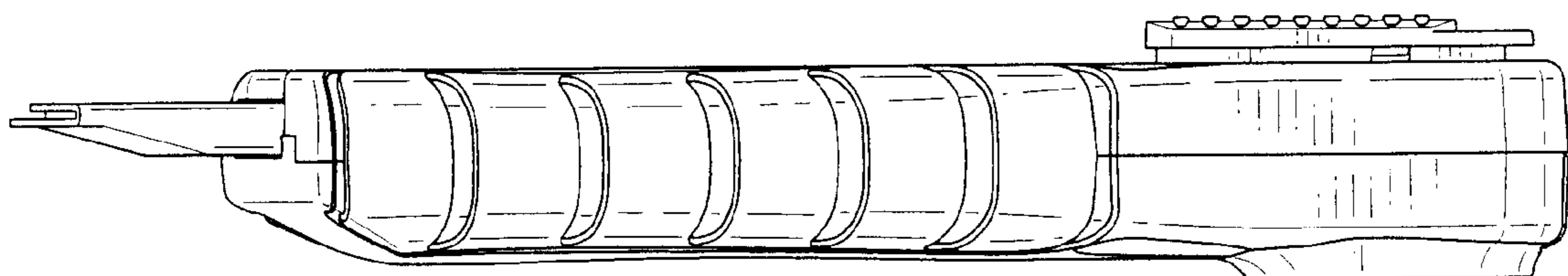


Fig. 6

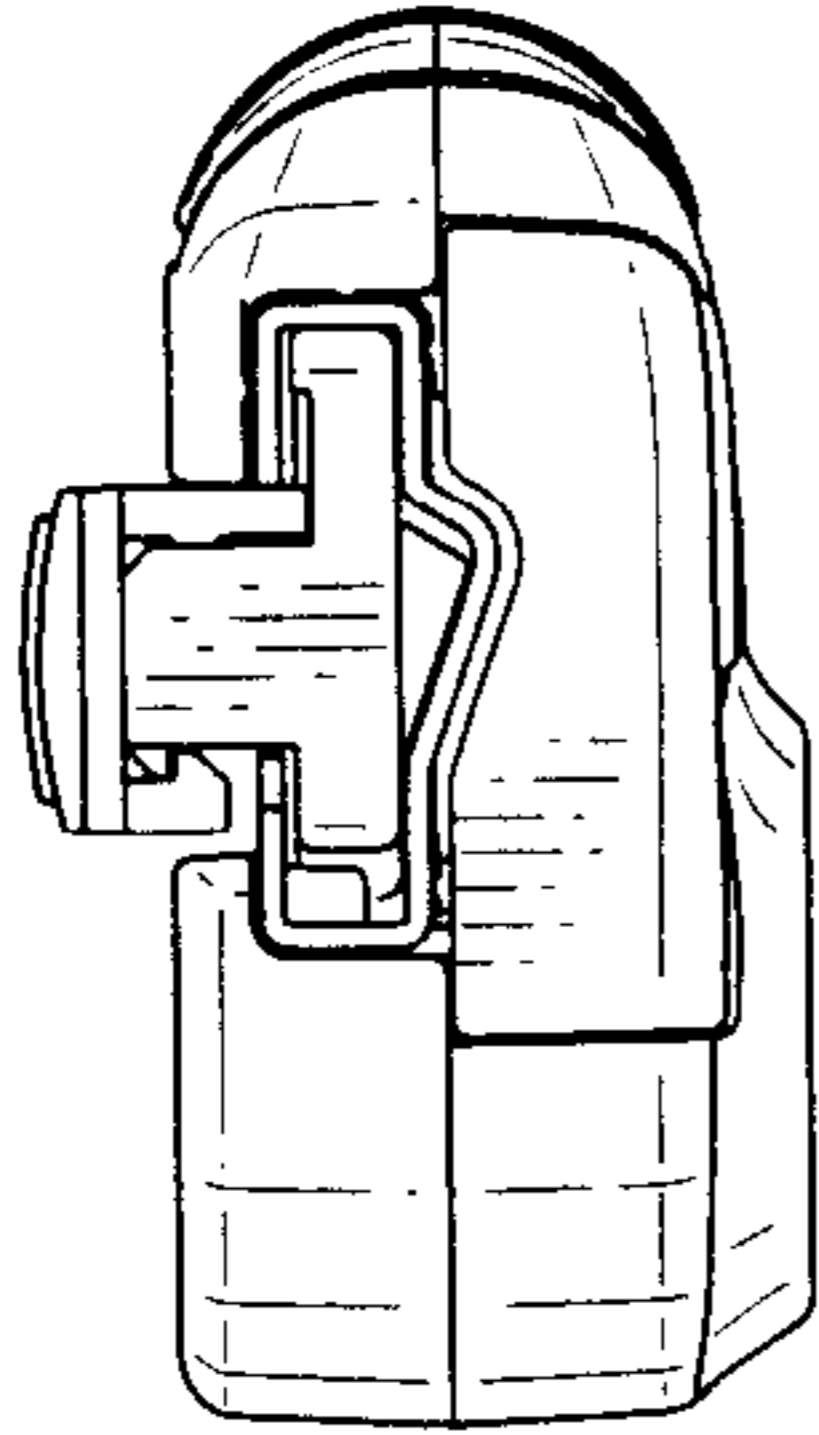


Fig. 7

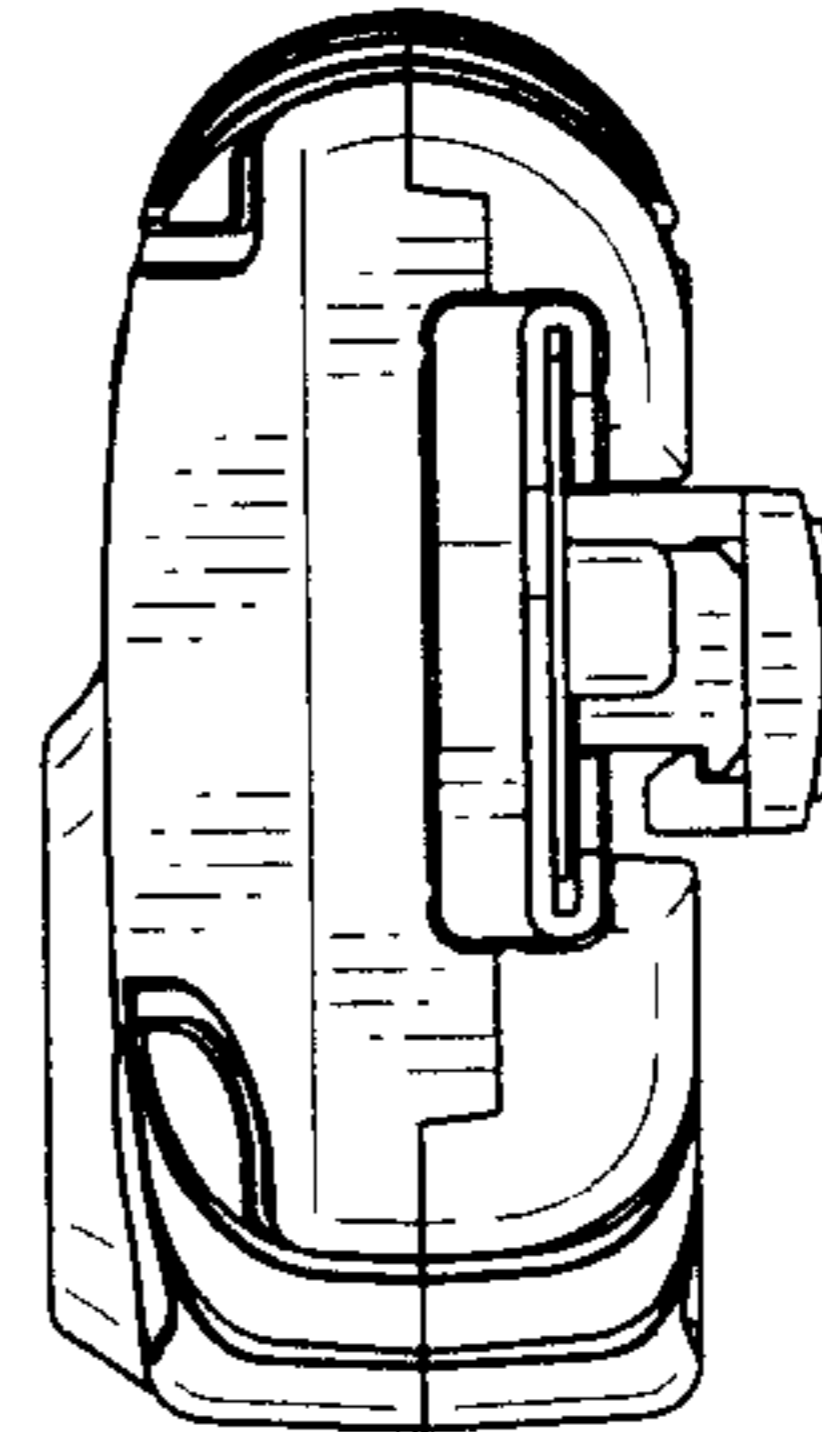


Fig. 8

