

US00D517893S

(12) **United States Design Patent** (10) **Patent No.:** **US D517,893 S**
Ping (45) **Date of Patent:** **** Mar. 28, 2006**

(54) **UTILITY KNIFE**

FOREIGN PATENT DOCUMENTS

(75) Inventor: **Qui Jian Ping**, Hangzhou (CN)
(73) Assignee: **Great Neck Saw Manufacturers, Inc.**,
Mineola, NY (US)
(**) Term: **14 Years**

CN 02-2-88379.7 12/2002
CN 200420008852.7 3/2004
CN 200420008854.6 3/2004
CN 200420020589.3 3/2004
CN 200420020590.6 3/2004
CN 200420020591.0 3/2004
WO WO90086633 8/1990

(21) Appl. No.: **29/206,221**
(22) Filed: **May 27, 2004**

Primary Examiner—Philip S. Hyder
(74) *Attorney, Agent, or Firm*—Joseph J. Previto

Related U.S. Application Data

(63) Continuation of application No. 29/181,557, filed on May 13, 2003, now Pat. No. Des. 495,939.
(51) **LOC (8) Cl.** **08-03**
(52) **U.S. Cl.** **D8/99**
(58) **Field of Classification Search** D8/98,
D8/99, 105, 107; 30/154, 155, 156, 158,
30/157, 159, 160, 161, 162, 330, 329
See application file for complete search history.

(57) **CLAIM**

The ornamental design for a utility knife, as shown and described.

DESCRIPTION

FIG. 1 is a perspective view of my new design showing it in an unfolded position.
FIG. 2 is a top view thereof.
FIG. 3 is a side view thereof.
FIG. 4 is a front view thereof.
FIG. 5 is a rear view thereof.
FIG. 6 is a bottom view thereof.
FIG. 7 is another side view thereof.
FIG. 8 is a side view thereof showing it in a partially folded position.
FIG. 9 is a side view thereof showing it in a folded position.
FIG. 10 is a perspective view of another embodiment of my new design showing it in an unfolded position.
FIG. 11 is a top view thereof.
FIG. 12 is a side view thereof.
FIG. 13 is a front view thereof.
FIG. 14 is a rear view thereof.
FIG. 15 is a bottom view thereof.
FIG. 16 is another side view thereof.
FIG. 17 is a side view thereof showing it in a partially folded position; and,
FIG. 18 is a side view thereof showing it in a folded position.
The broken lines are for illustrative purposes only and form no part of the claimed design.

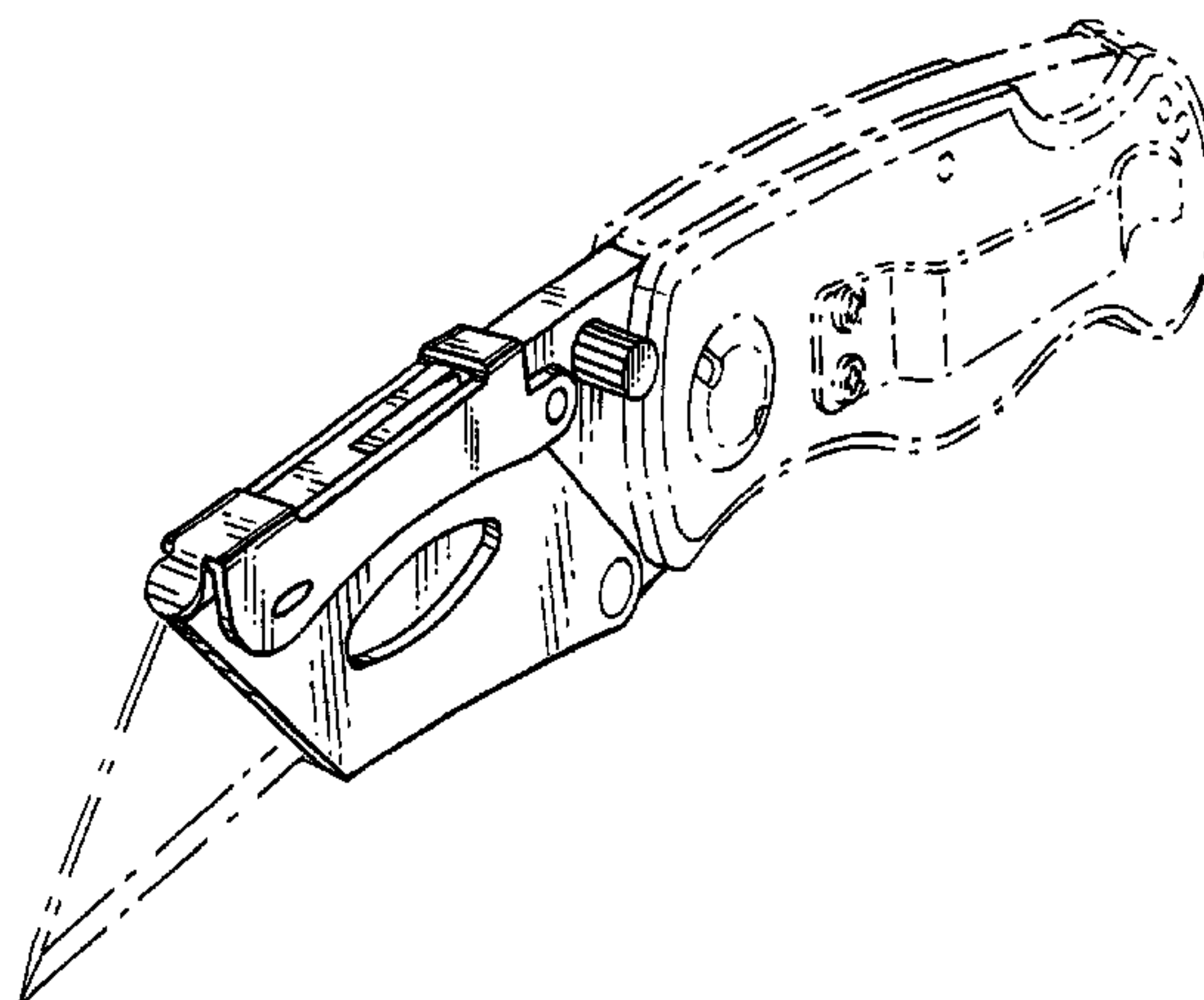
(56) **References Cited**

U.S. PATENT DOCUMENTS

97,154 A 11/1869 Barnard
493,075 A 3/1893 Evertz
515,045 A 2/1894 Bultzingslowen
584,077 A 6/1897 Jackson
596,096 A 12/1897 Watts
988,068 A 3/1911 Beardsley
1,362,142 A 12/1920 Rohrer
1,444,324 A 2/1923 Brooks
1,706,251 A 3/1929 Perry
1,750,517 A 3/1930 DeBracht
1,750,577 A 3/1930 DeBracht
2,134,973 A 11/1938 Harwell
2,265,775 A 12/1941 Mc Namara
2,284,128 A 5/1942 Bush
2,523,575 A 5/1950 Kassel
2,914,850 A 12/1959 Kuhl
2,980,996 A 4/1961 Beran
3,306,297 A 2/1967 Voorhees

(Continued)

1 Claim, 8 Drawing Sheets



US D517,893 S

Page 2

U.S. PATENT DOCUMENTS					
3,568,315 A	3/1971	Smith	5,815,927 A	10/1998	Collins
3,593,417 A	7/1971	West	5,826,340 A	10/1998	Hull
3,872,591 A	3/1975	Quenot	5,909,930 A	6/1999	Ragland
4,017,969 A	4/1977	Stonebraker	5,966,816 A	10/1999	Roberson
4,040,181 A	8/1977	Johnson	5,979,059 A	11/1999	Leatherman
4,261,104 A	4/1981	Cuscovitch	6,170,104 B1	1/2001	Seber
4,347,665 A	9/1982	Glesser	6,170,158 B1	1/2001	Daily
4,442,600 A	4/1984	Felix-Salichow	6,256,887 B1	7/2001	Osborne
4,570,341 A	2/1986	Konneker	6,256,888 B1	7/2001	Shuen
4,604,805 A	8/1986	Krieger	6,263,581 B1	7/2001	Forte
4,665,615 A	5/1987	Martinez	6,354,007 B1	3/2002	Scarla
4,669,188 A	6/1987	Evrell	6,370,778 B1	4/2002	Conable
4,719,700 A	1/1988	Taylor, Jr.	6,446,341 B1	9/2002	Wang
4,805,303 A	2/1989	Gibbs	6,487,740 B1	12/2002	Seber
4,811,486 A	3/1989	Cunningham	6,574,868 B1	6/2003	Overholt
4,920,644 A	5/1990	La Gattuta	6,675,485 B1 *	1/2004	Shih et al. 30/321
4,936,014 A	6/1990	Shaanan et al.	6,688,003 B1	2/2004	Scarla
5,044,079 A	9/1991	Gibbs	D494,437 S *	8/2004	Scarla D8/99
5,095,624 A	3/1992	Ennis	6,915,577 B1 *	7/2005	Scala 30/156
5,125,157 A	6/1992	Howard	2002/0059730 A1	5/2002	Flavigny
5,400,509 A	3/1995	Collins	2004/0020057 A1	2/2004	Hughes
5,511,310 A	4/1996	Sessions	2004/0045171 A1	3/2004	Moizis
5,769,094 A	6/1998	Jenkins, Jr.	2004/0103541 A1	6/2004	Scarla

* cited by examiner

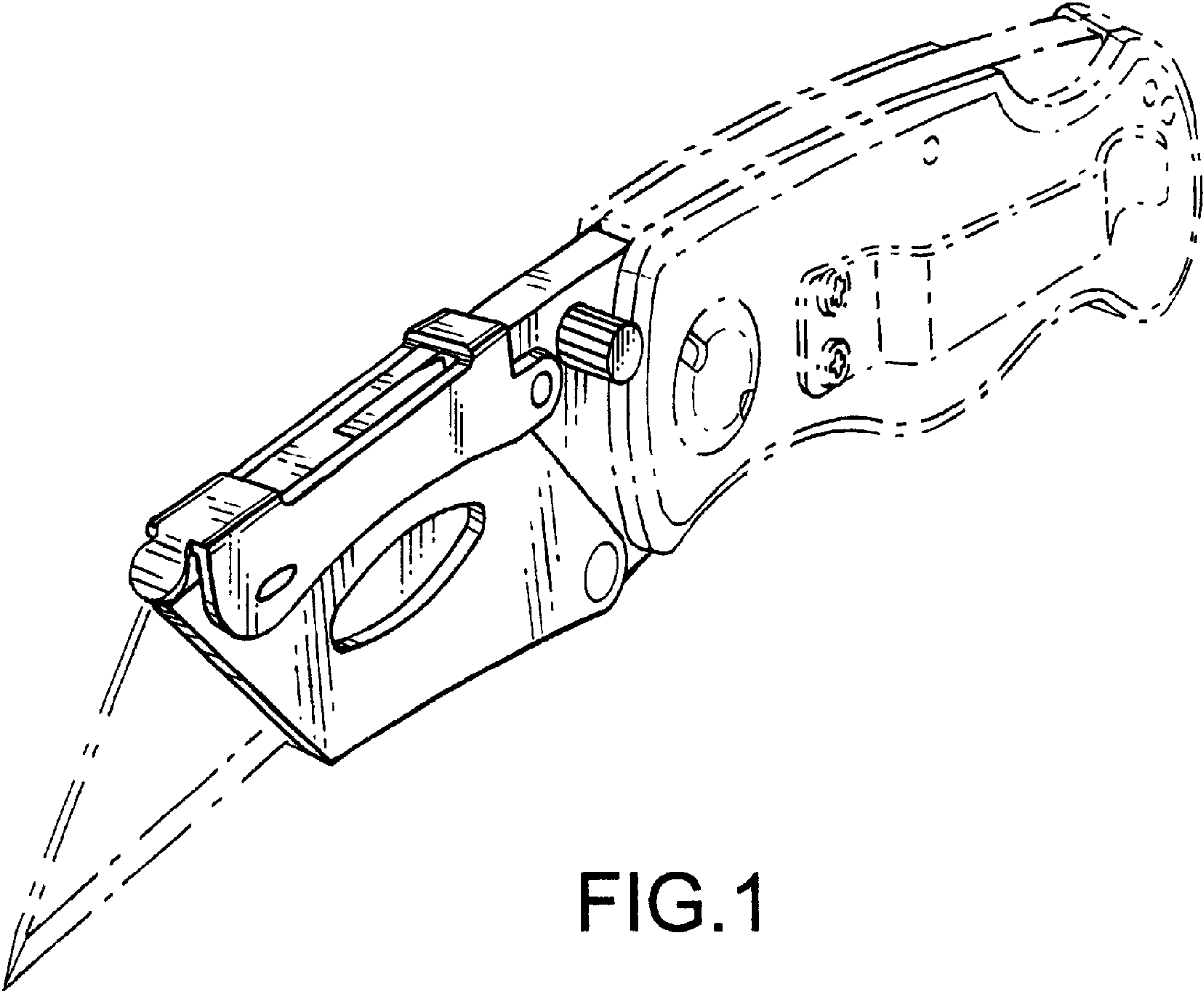


FIG. 1

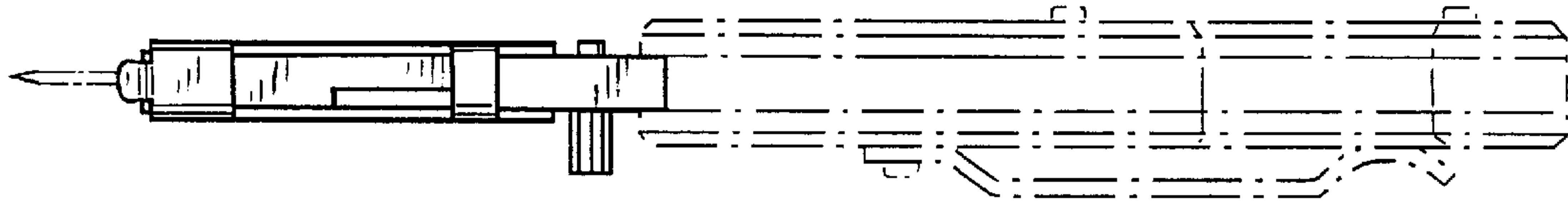


FIG. 2

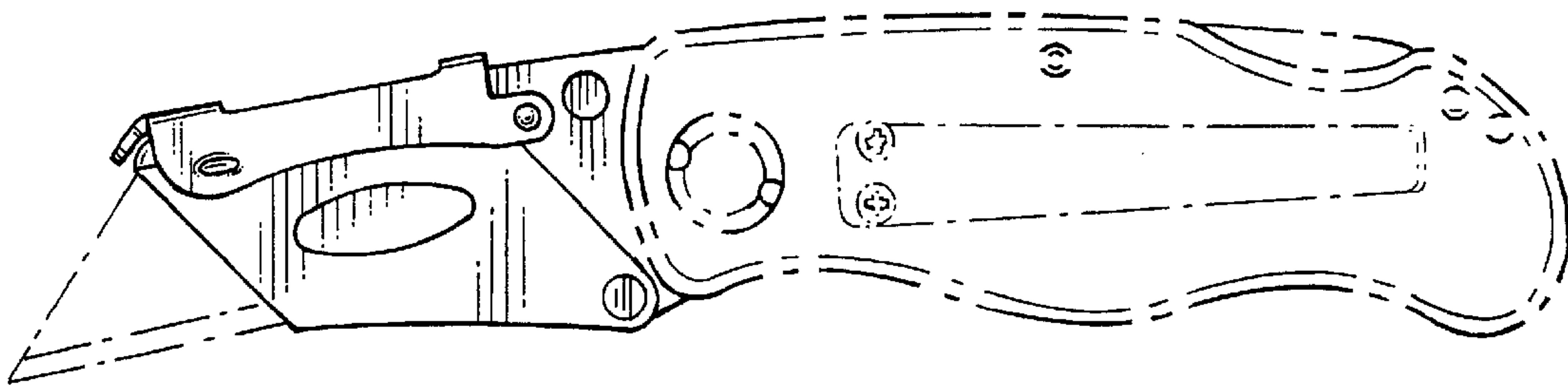


FIG. 3

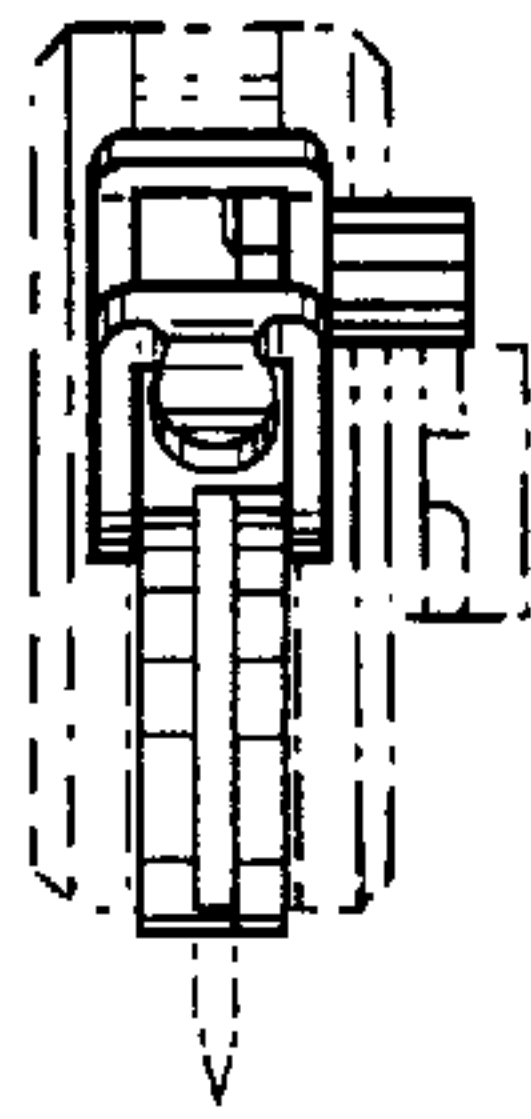


FIG. 4

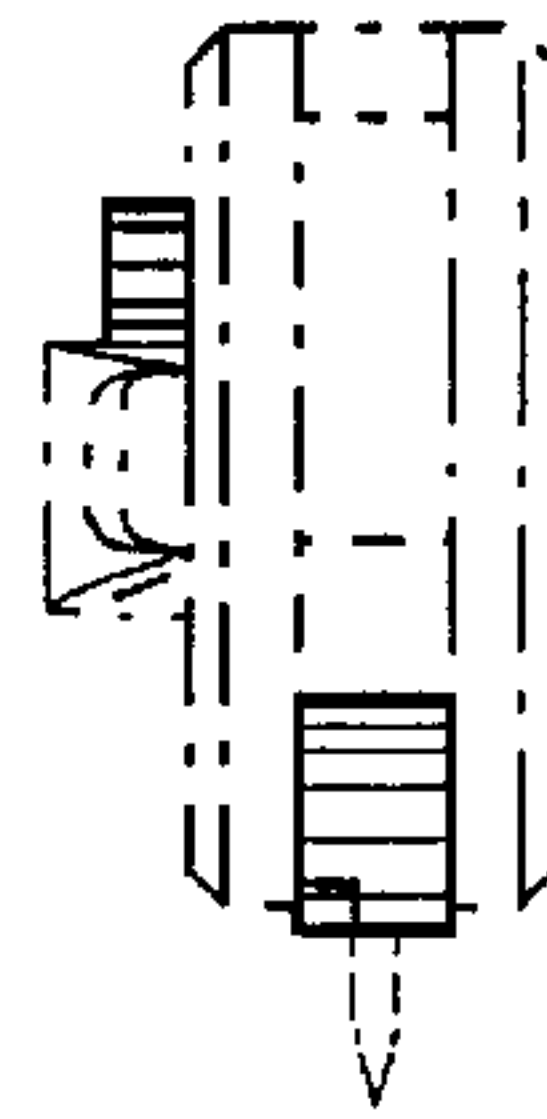


FIG. 5

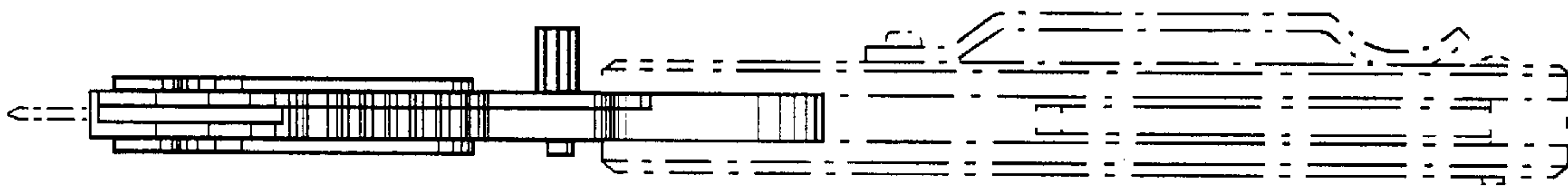


FIG. 6

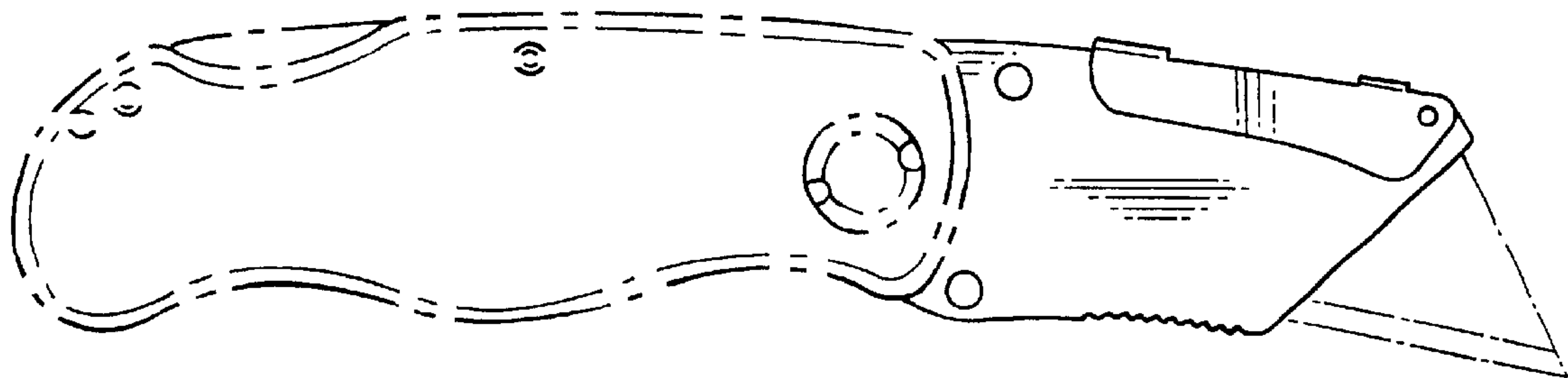


FIG. 7

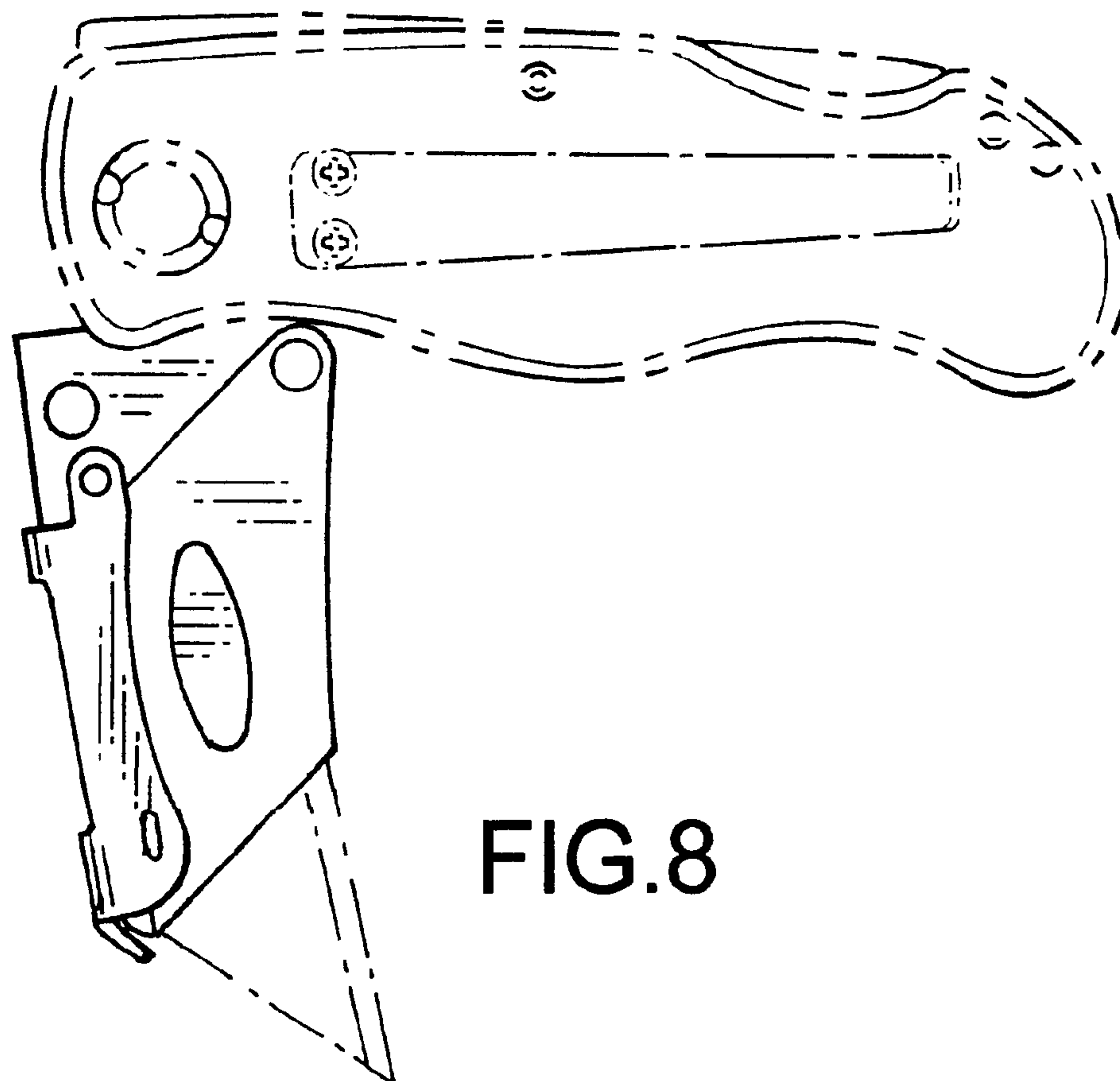


FIG. 8

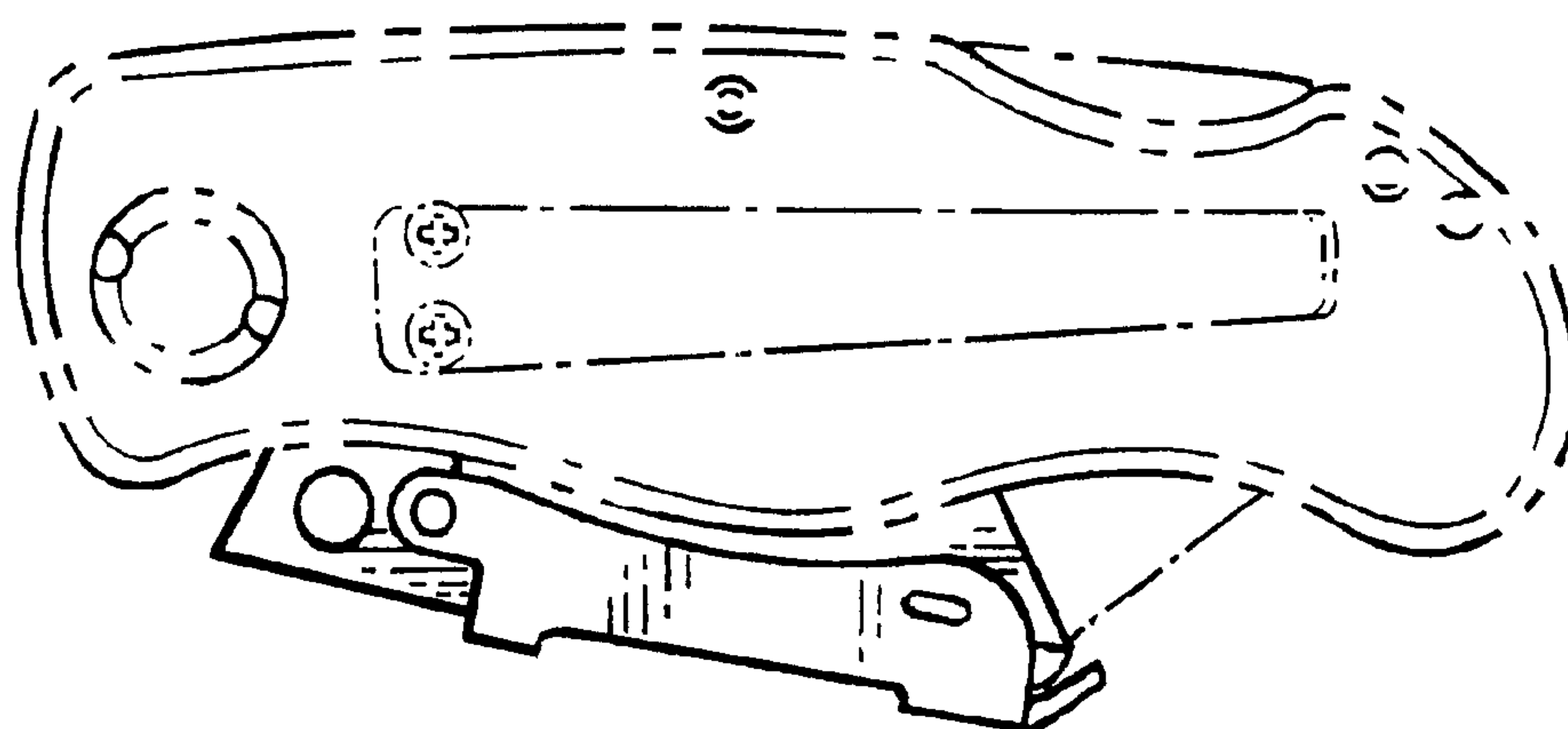
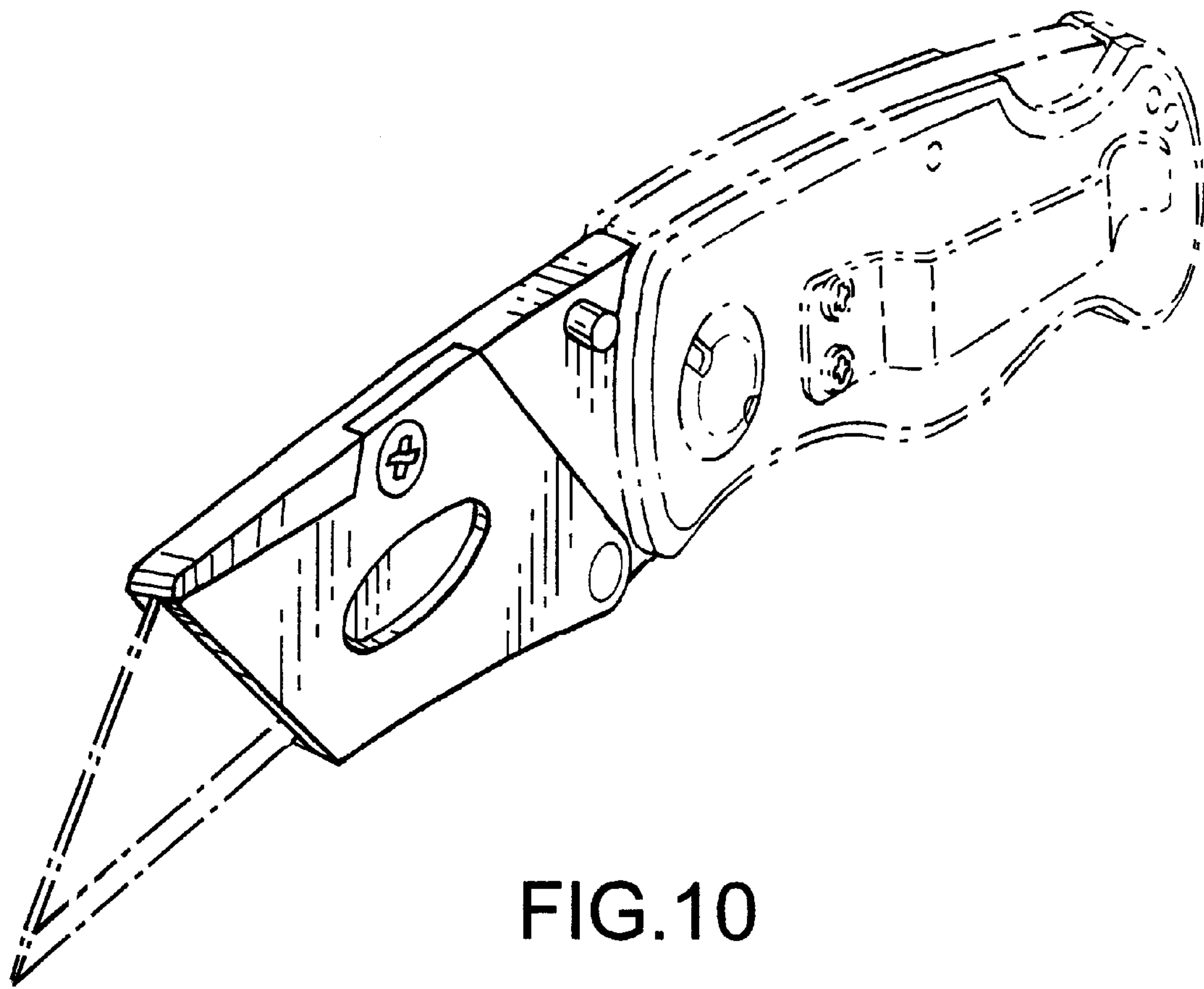


FIG. 9



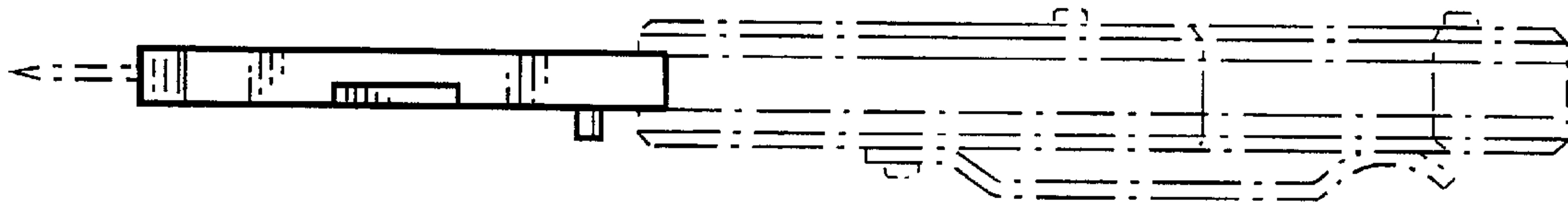


FIG. 11

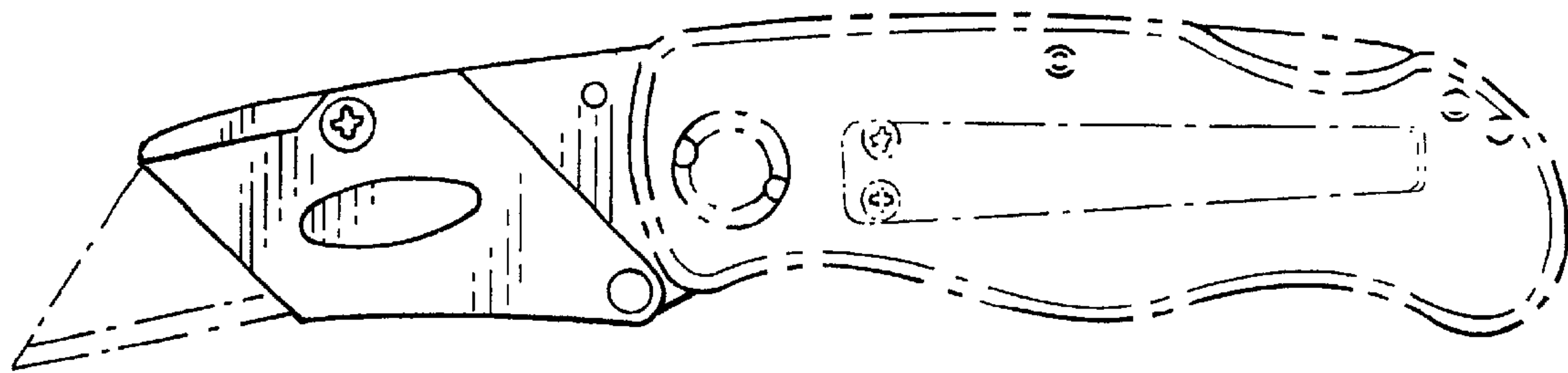


FIG. 12

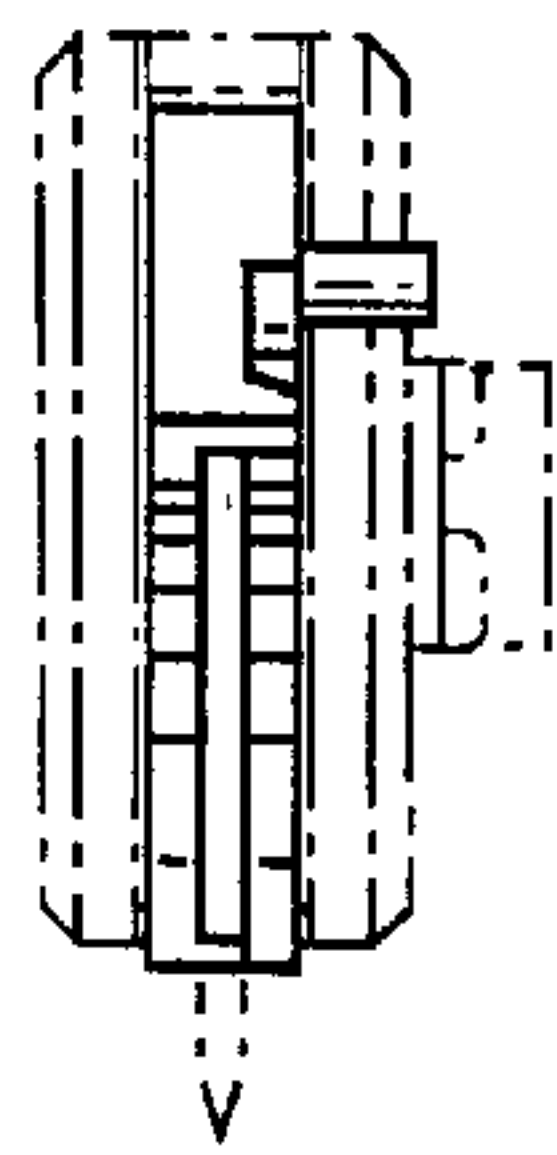


FIG. 13

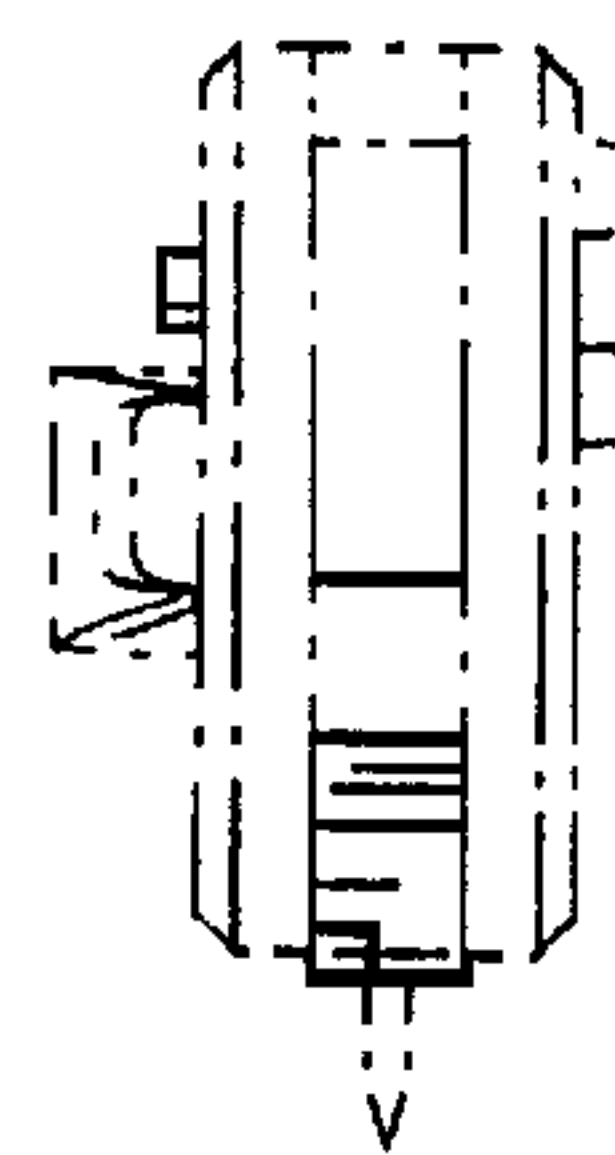


FIG. 14

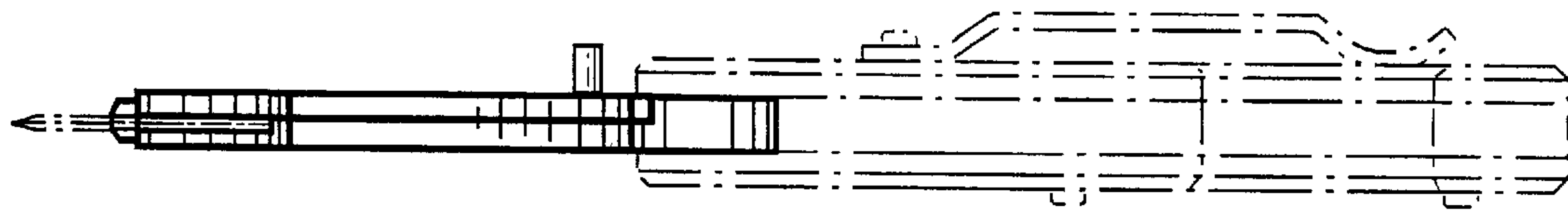


FIG.15

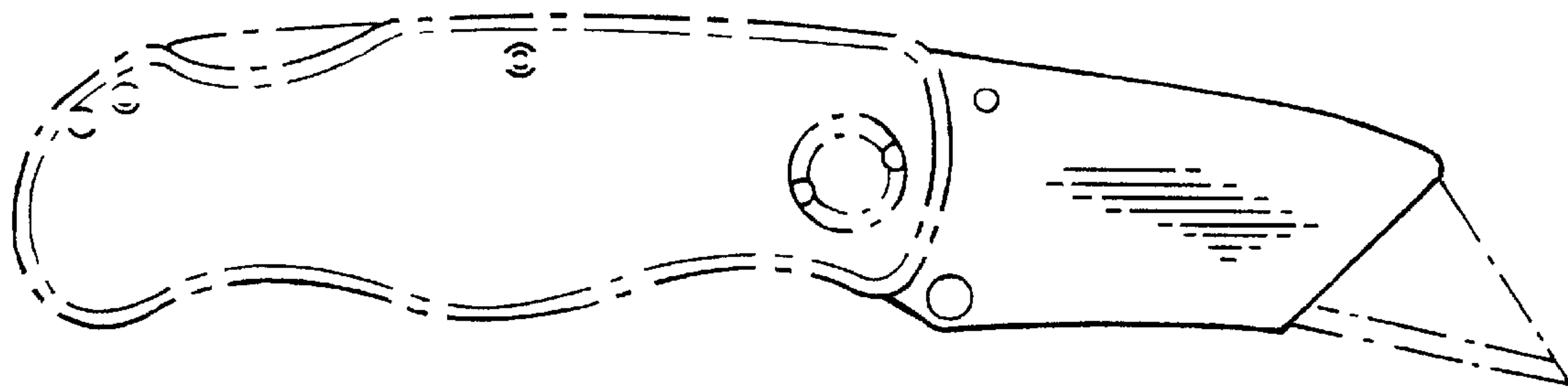


FIG.16

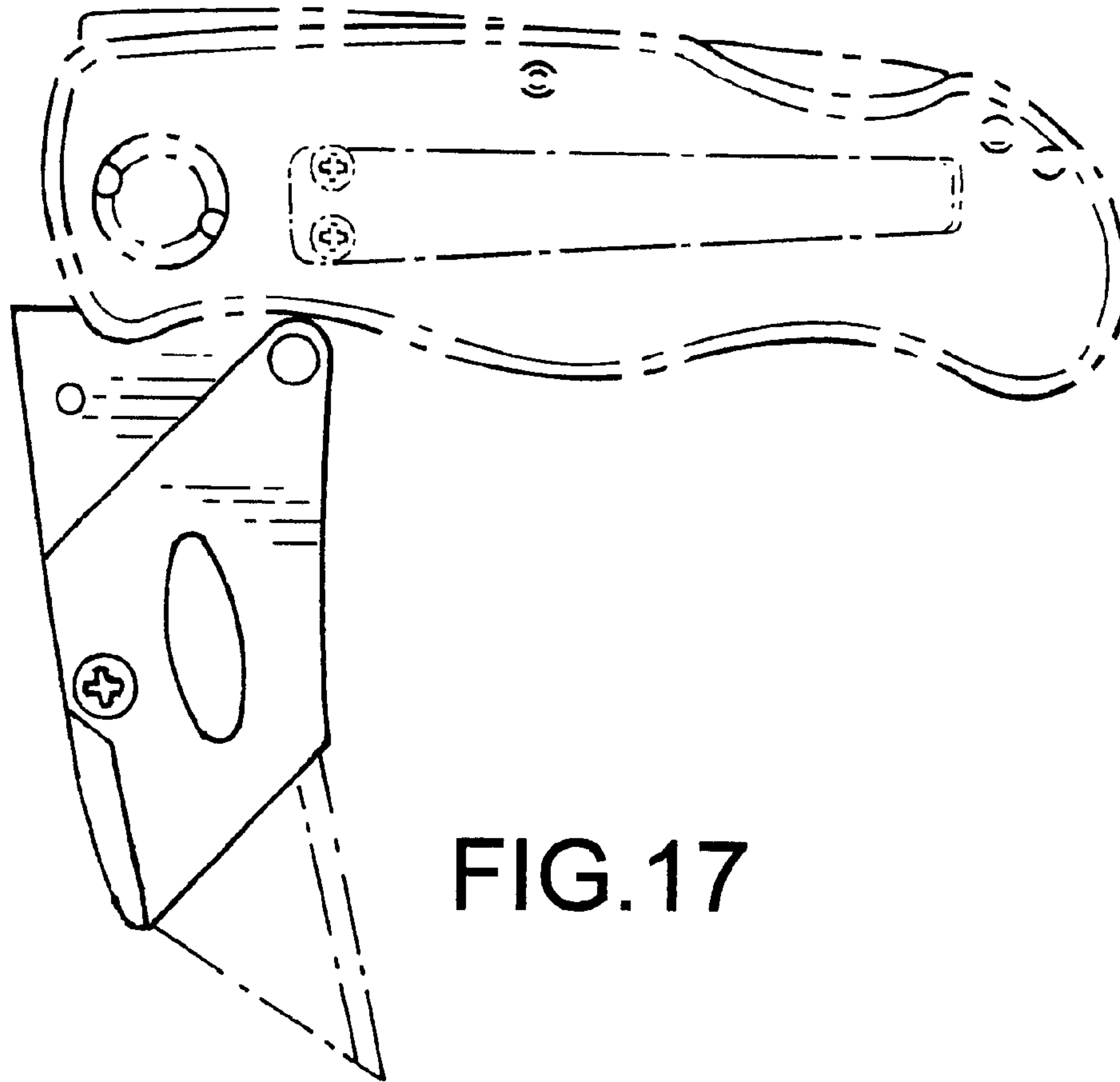


FIG.17

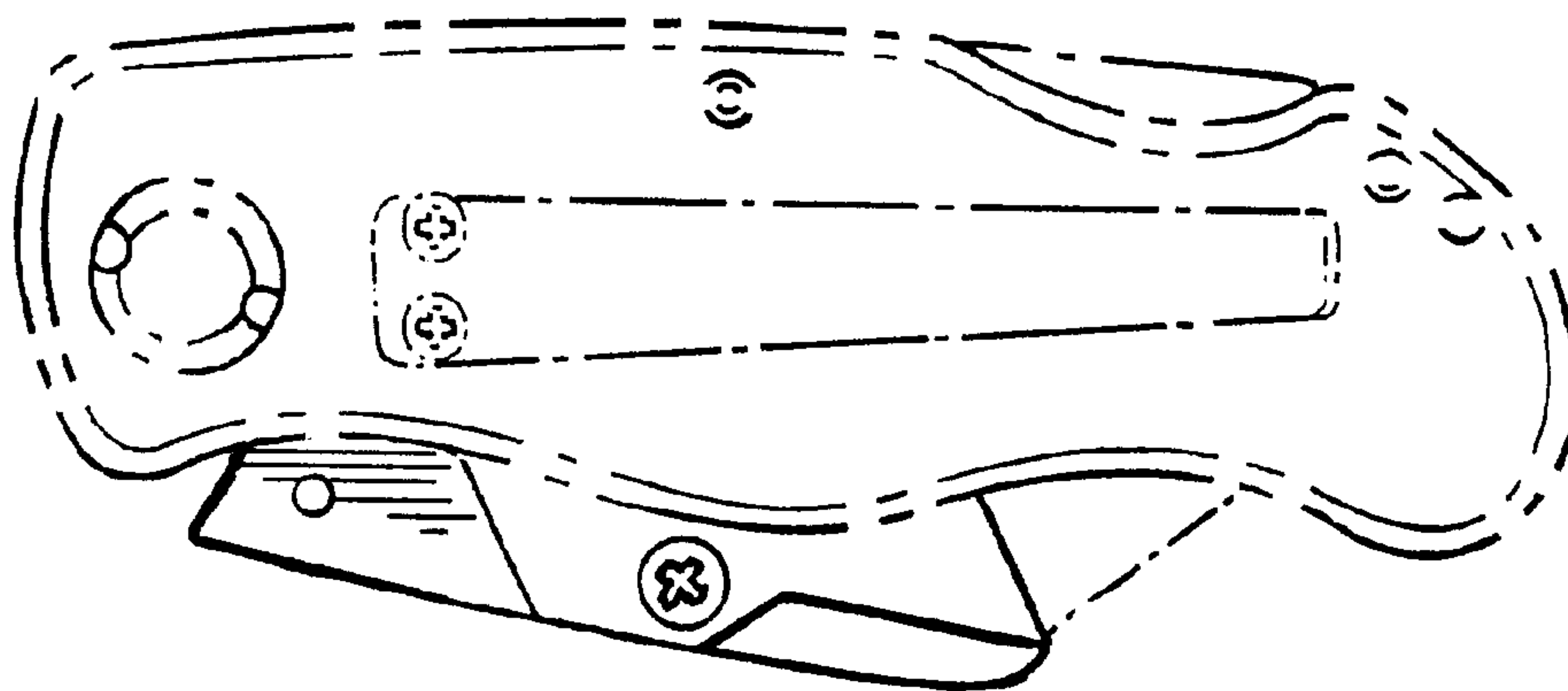


FIG.18