

US00D517891S

(12) **United States Design Patent**
Tsuchida

(10) **Patent No.:** **US D517,891 S**
(45) **Date of Patent:** **** Mar. 28, 2006**

- (54) **BLADE SHARPENER**
- (75) Inventor: **Mino Tsuchida**, Chiba (JP)
- (73) Assignee: **Master Cutlery Corporation** (JP)
- (**) Term: **14 Years**
- (21) Appl. No.: **29/179,029**
- (22) Filed: **Apr. 4, 2003**
- (30) **Foreign Application Priority Data**

D309,415 S	7/1990	Shimizu	
5,005,319 A	4/1991	Friel	
D323,450 S	1/1992	Shimizu	
5,148,634 A	9/1992	Bigliano et al.	
5,245,791 A	9/1993	Bigliano et al.	
D342,003 S	12/1993	Friel et al.	
5,390,431 A	2/1995	Friel	
D357,395 S	4/1995	Friel	
5,404,679 A	4/1995	Friel et al.	
D368,217 S	* 3/1996	Friel	D8/93
D388,304 S	* 12/1997	Friel	D8/93
D392,869 S	* 3/1998	Rieser	D8/93
6,398,633 B1	* 6/2002	Lothe	451/545

Feb. 13, 2003 (CA) 102094

- (51) **LOC (8) Cl.** **08-05**
- (52) **U.S. Cl.** **D8/91; D8/93**
- (58) **Field of Classification Search** D8/90,
D8/91, 92, 93, 94; 75/82, 86, 88; 451/262,
451/267, 293, 540, 548, 549, 552, 555, 557,
451/558

See application file for complete search history.

(56) **References Cited**

U.S. PATENT DOCUMENTS

563,023 A	6/1896	Dearborn	
1,342,275 A	6/1920	Cornell	
D142,880 S	11/1945	Loucony	
D162,768 S	4/1951	Anheuser	
4,050,197 A	9/1977	Thompson et al.	
D269,940 S	* 8/1983	Hirosawa	D8/93
D274,497 S	* 7/1984	Zabel et al.	D8/93
4,627,194 A	12/1986	Friel	
D288,657 S	3/1987	Linden	
4,672,777 A	6/1987	Dunkin	
4,716,689 A	1/1988	Friel	
4,723,375 A	2/1988	Linden	
4,807,399 A	2/1989	Friel	
4,897,965 A	2/1990	Friel	
D308,018 S	5/1990	Linden et al.	
4,928,436 A	5/1990	Linden	
D309,414 S	7/1990	Shimizu	

FOREIGN PATENT DOCUMENTS

GB 2 185 919 A 8/1987

OTHER PUBLICATIONS

Brochure, Master Cutlery Corporation, *Mino Sharp Ceramic Water Sharpener*, front and back, date unknown, but prior to the filing of this application.

* cited by examiner

Primary Examiner—Philip S. Hyder
(74) *Attorney, Agent, or Firm*—Banner Witcoff, Ltd.

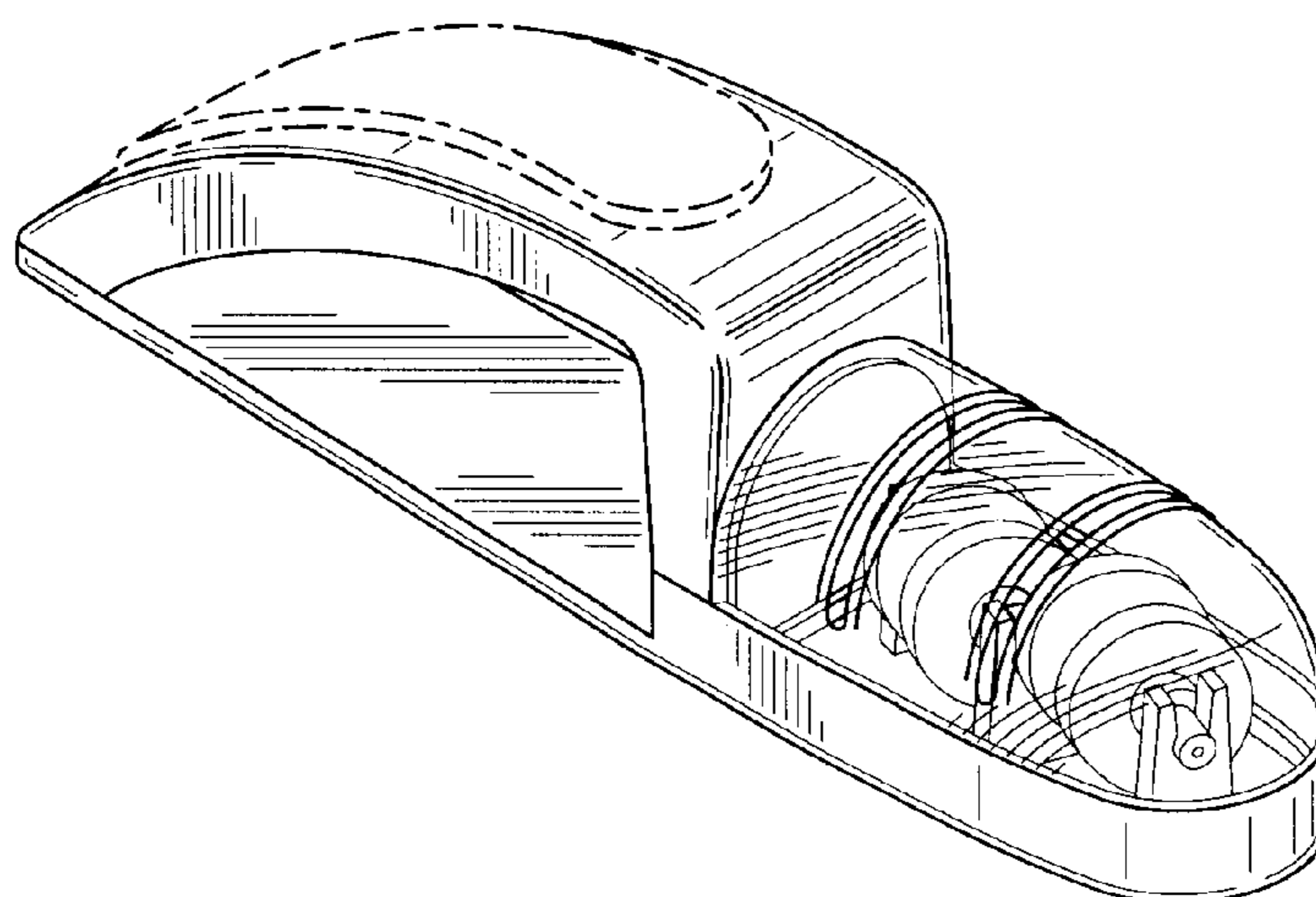
(57) **CLAIM**

The ornamental design for a blade sharpener, as shown and described.

DESCRIPTION

FIG. 1 is a perspective view of a blade sharpener showing my new design;
FIG. 2 is a left side view thereof; and,
FIG. 3 is a right side view thereof.
The broken line showing of the raised element on the handle is for illustrative purposes only and forms no part of the claimed design.

1 Claim, 1 Drawing Sheet



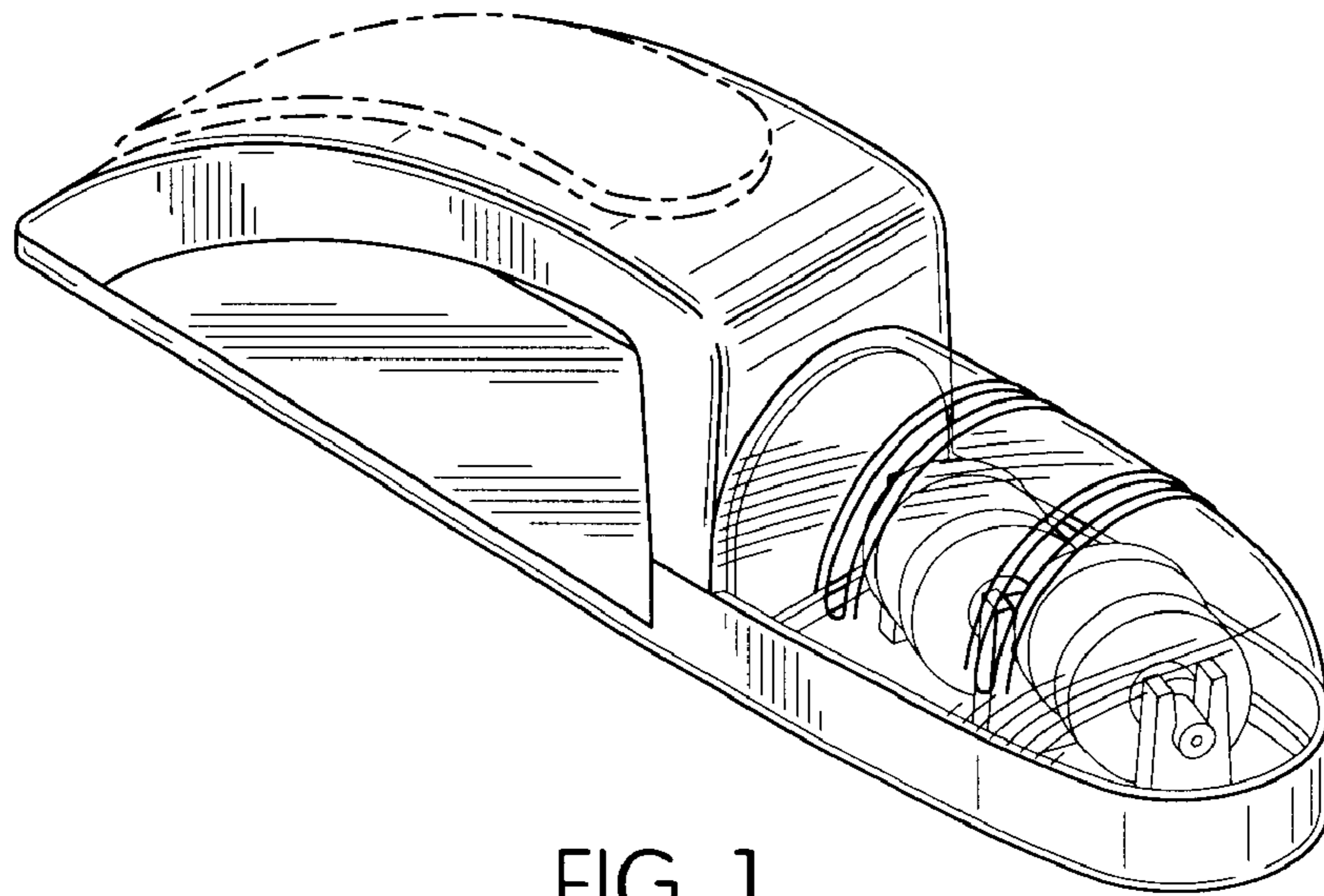


FIG. 1

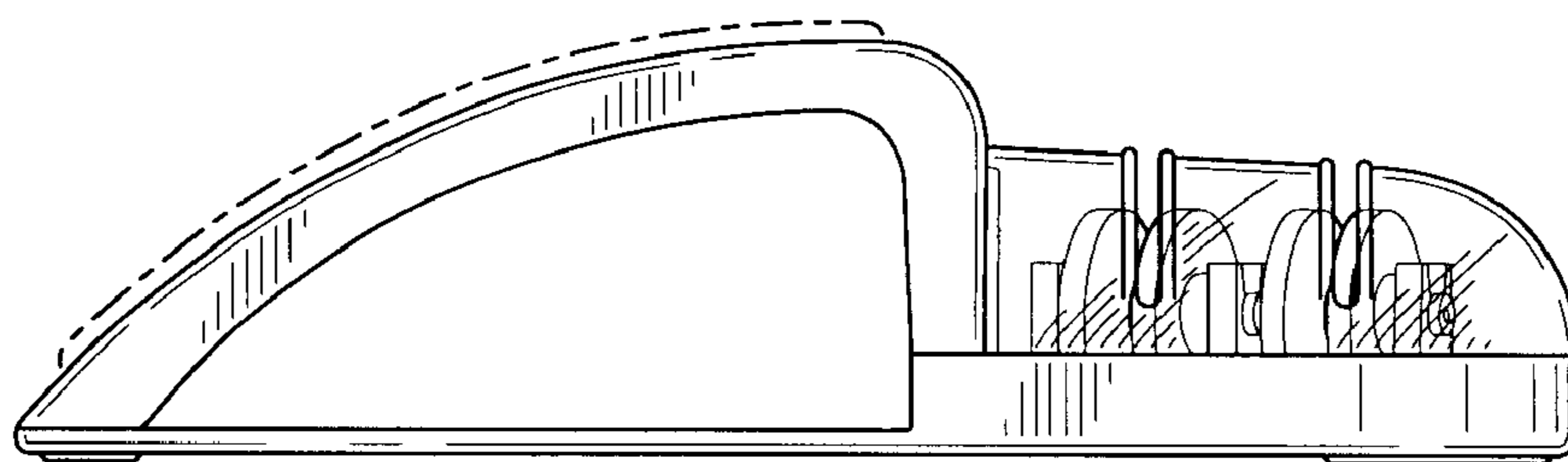


FIG. 2

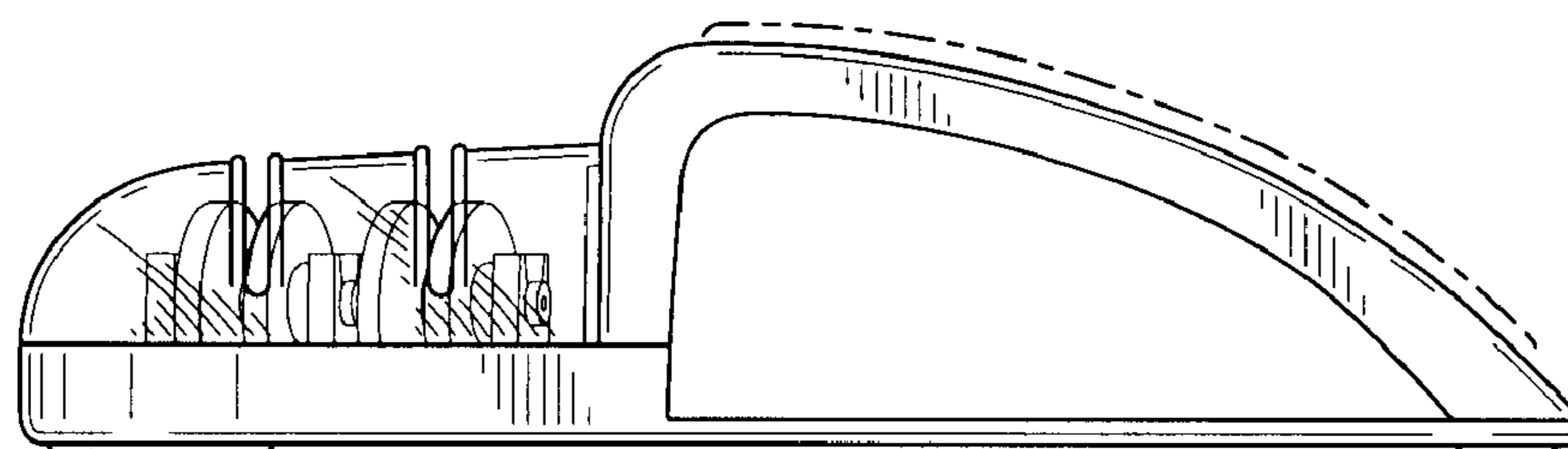


FIG. 3