

US00D517890S

(12) **United States Design Patent**
Collins et al.

(10) **Patent No.:** **US D517,890 S**
(45) **Date of Patent:** **** Mar. 28, 2006**

(54) **HAND TOOL HANDLE WITH KNOB**
(75) Inventors: **Scott J. Collins**, Milwaukee, WI (US);
James R. Walsh, Wauwatosa, WI (US)
(73) Assignee: **Viking Industries, LLC**, Lake Forest,
IL (US)
(**) Term: **14 Years**
(21) Appl. No.: **29/207,673**
(22) Filed: **Jun. 16, 2004**
(51) **LOC (8) Cl.** **08-05**
(52) **U.S. Cl.** **D8/90; D8/62; D8/107**
(58) **Field of Classification Search** **D8/62,**
D8/90, 101, 107, 303; 30/487, 488, 489;
451/356, 357, 359; 16/110.1, 430
See application file for complete search history.

(56) **References Cited**

U.S. PATENT DOCUMENTS

3,108,409 A * 10/1963 Hendrickson 451/356
D235,614 S * 7/1975 Taylor D8/62
4,177,712 A * 12/1979 Herzig 91/179
D308,931 S * 7/1990 Greenlee et al. D8/62
D328,695 S * 8/1992 Hoshino et al. D8/69
D374,386 S * 10/1996 Bosten et al. D8/62
5,694,696 A * 12/1997 Lee et al. 30/488

OTHER PUBLICATIONS

Sander apparatus photograph Date: Unknown.
Scraper apparatus photograph Date: Unknown.

* cited by examiner

Primary Examiner—Philip S. Hyder
(74) *Attorney, Agent, or Firm*—Jansson, Shupe, Munger &
Antaramian, Ltd.

(57) **CLAIM**

The ornamental design for a hand tool handle with knob, as
shown and described.

DESCRIPTION

FIG. 1 is a perspective view of a hand tool handle with knob.

FIG. 2 is a left side elevation of the hand tool handle with
knob. A right side elevation of the hand tool handle with
knob is not shown because it is a mirror image of the left side
elevation.

FIG. 3 is a top plan view of the hand tool handle with knob.

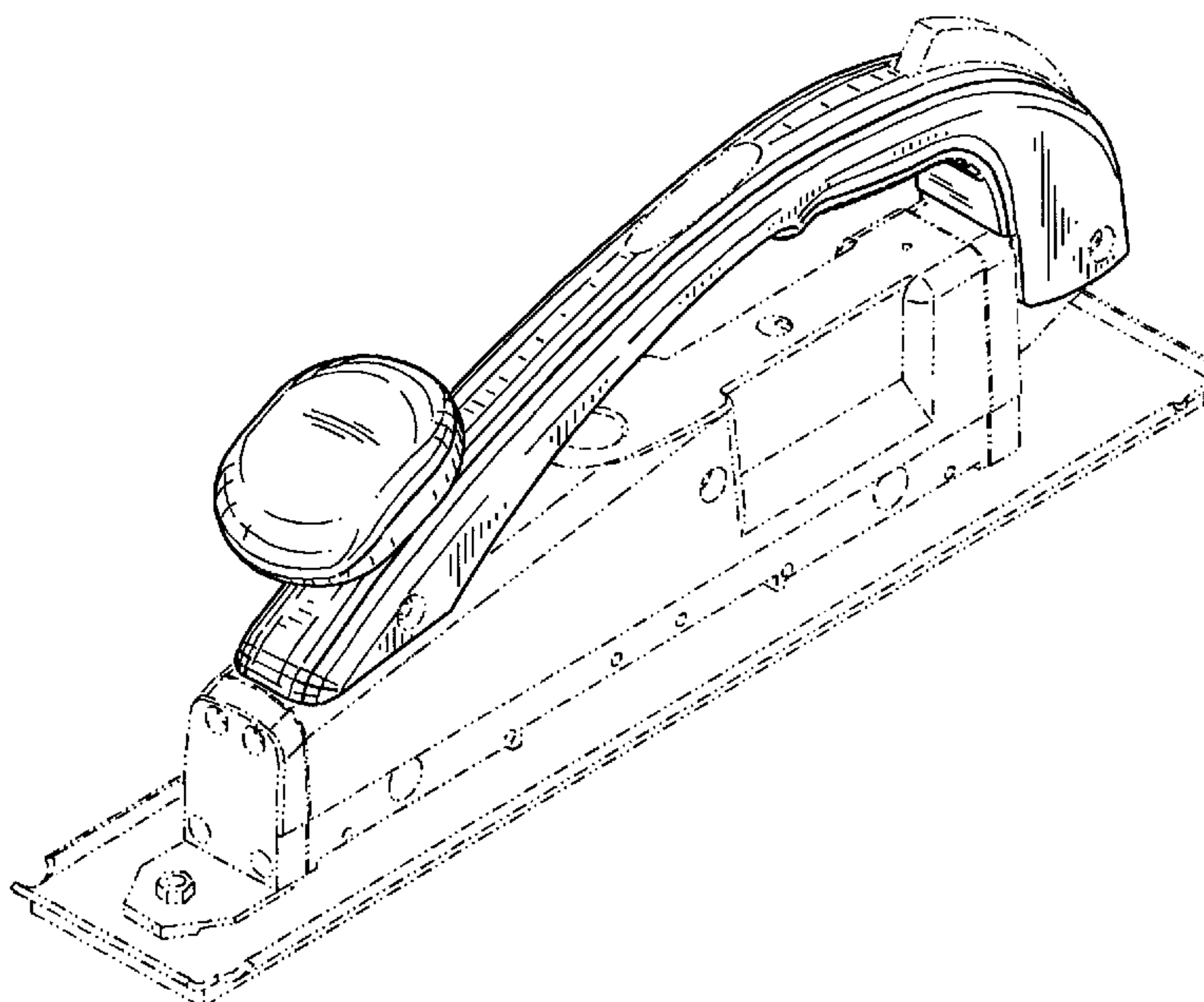
FIG. 4 is a bottom plan view of the hand tool handle with
knob. The hand tool handle with knob is shown as a separate
part to facilitate viewing of the hand tool handle bottom
portions.

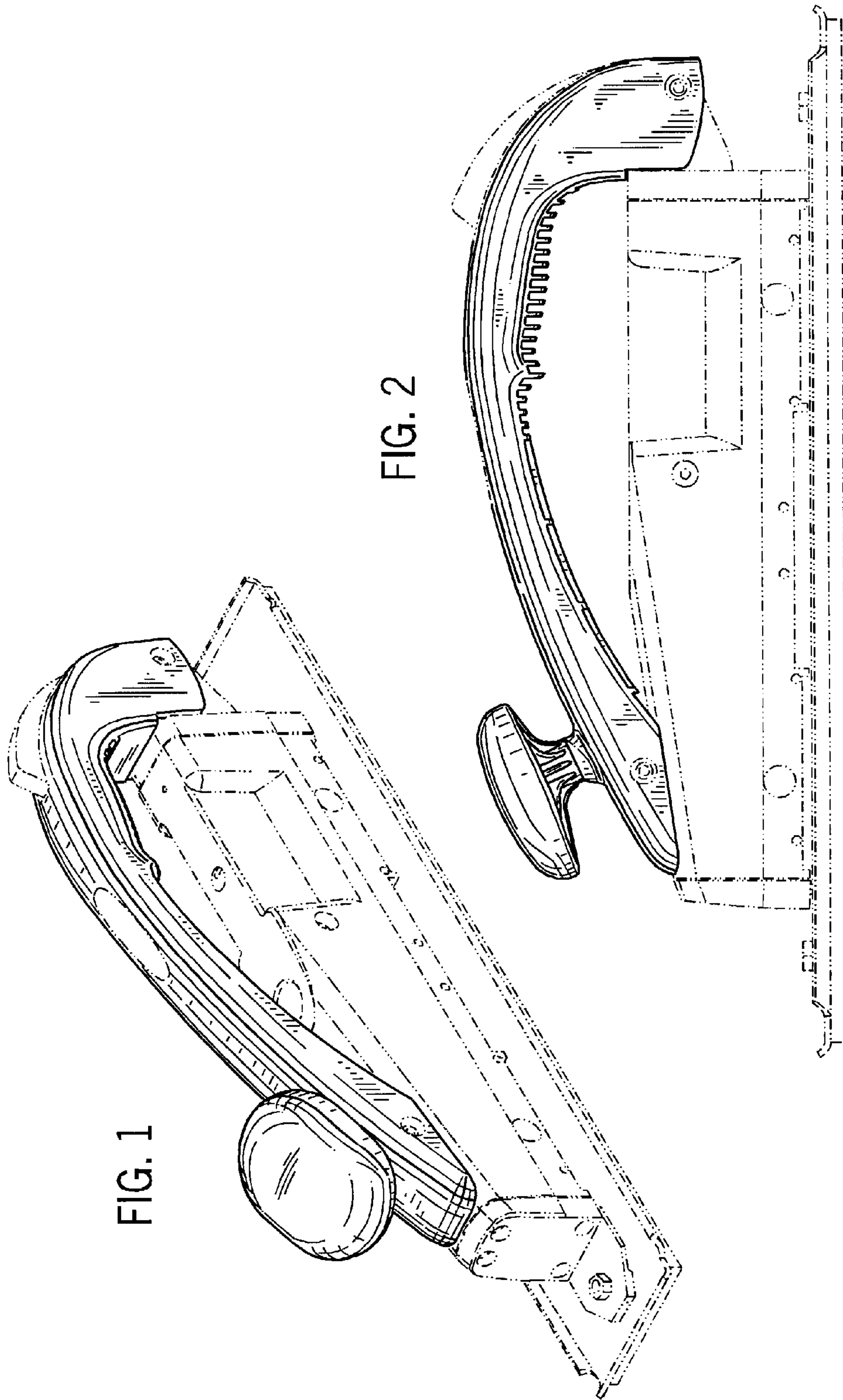
FIG. 5 is a front elevation of the hand tool handle with knob;
and,

FIG. 6 is a rear elevation of the hand tool handle with knob.

The broken lines are directed to the environmental structure
defining the boundary of the claimed portions of the hand
tool handle with knob and form no part of the claimed
design.

1 Claim, 3 Drawing Sheets





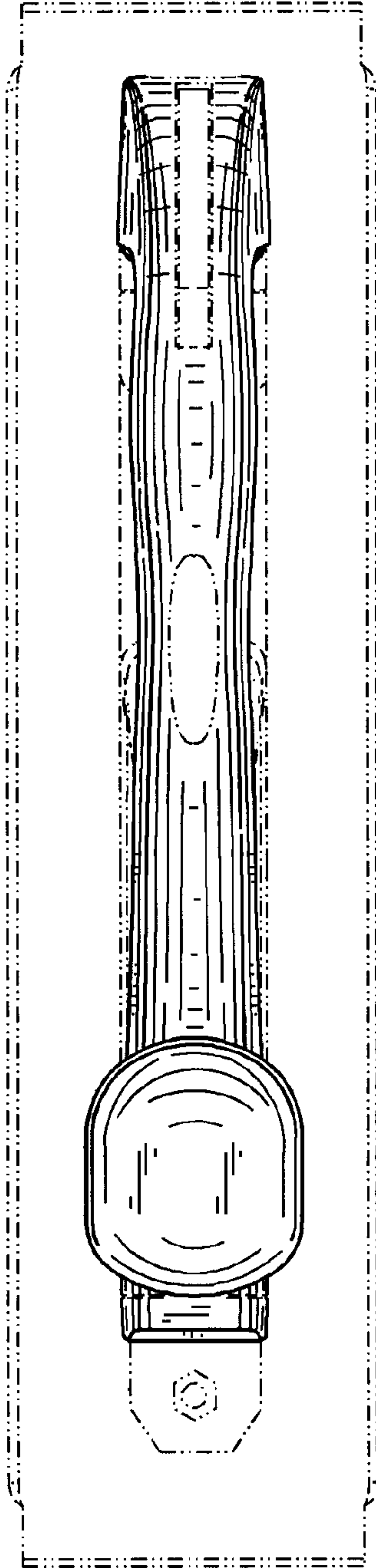


FIG. 3

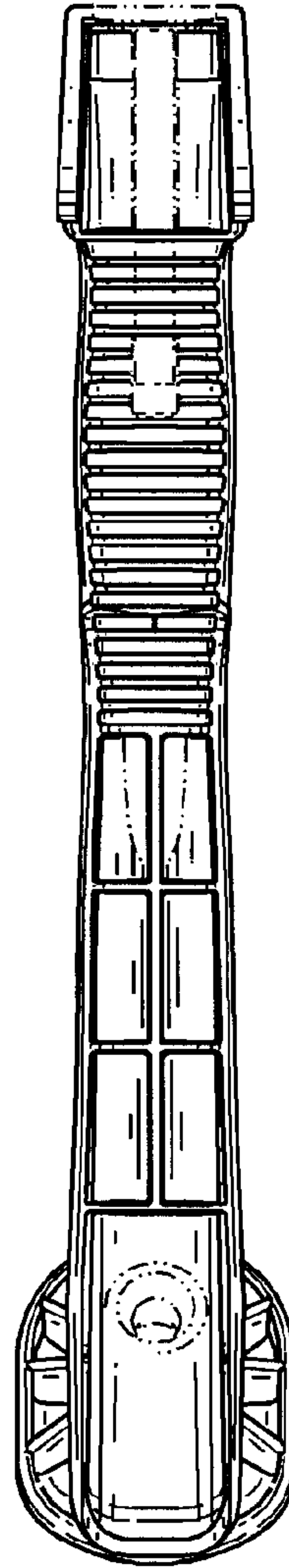


FIG. 4

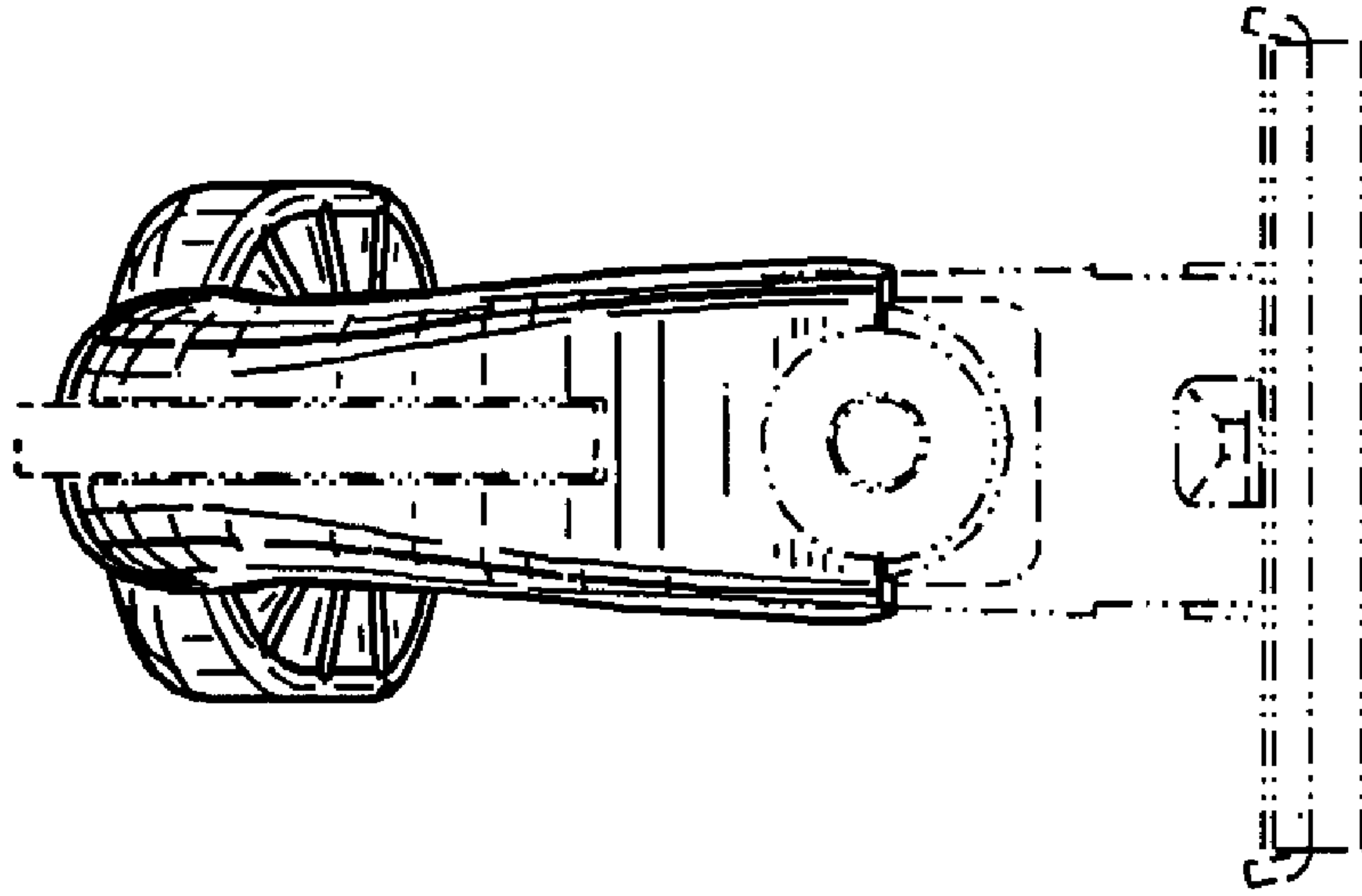


FIG. 5

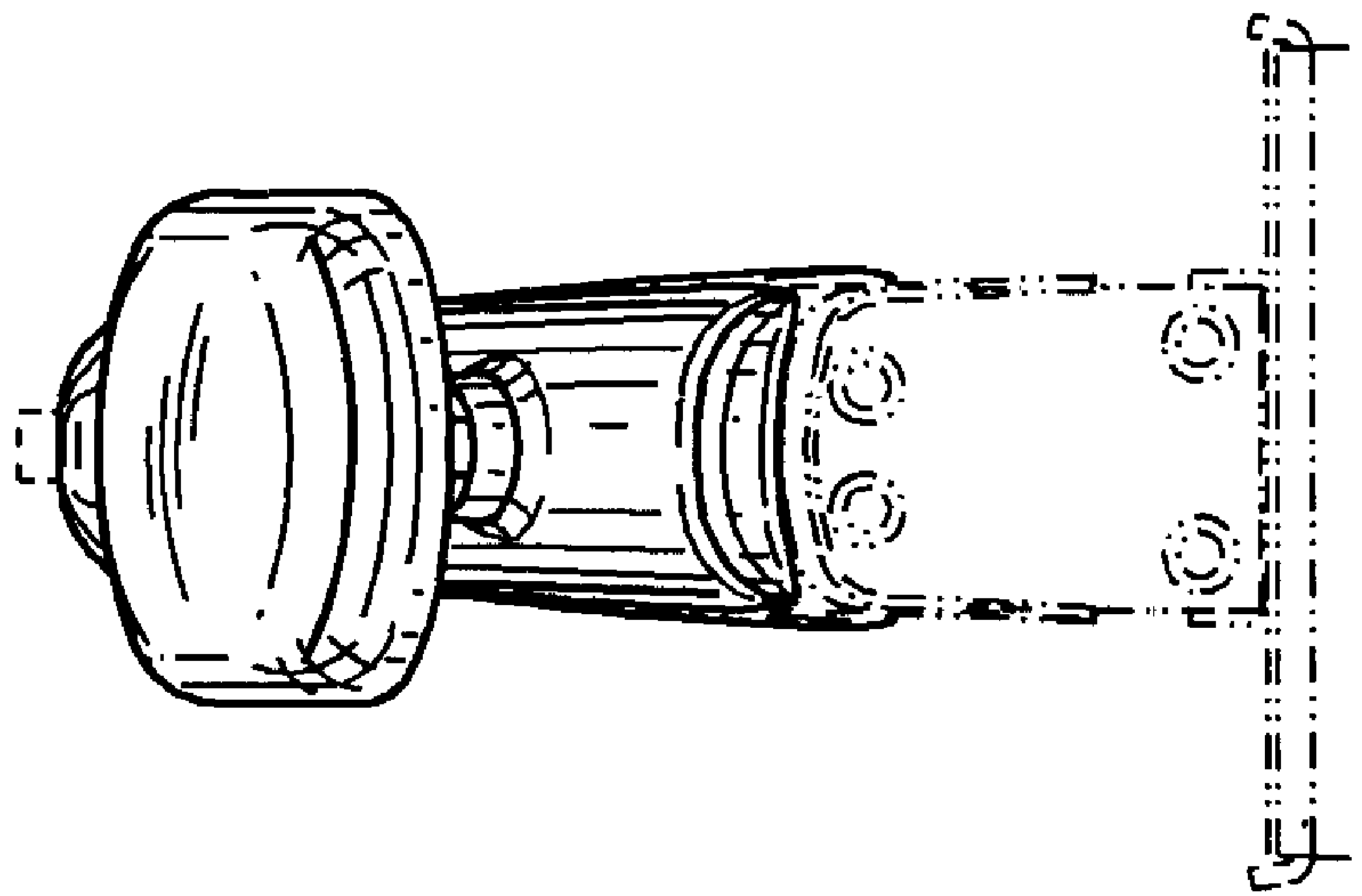


FIG. 6