



US00D517887S

(12) **United States Design Patent**
Fraga

(10) **Patent No.:** **US D517,887 S**

(45) **Date of Patent:** **** Mar. 28, 2006**

(54) **HAMMER**

(76) **Inventor:** **Juan Carlos Fraga**, 2840 N. 2nd St.,
North Fort Myers, FL (US) 33917

(**) **Term:** **14 Years**

(21) **Appl. No.:** **29/197,923**

(22) **Filed:** **Jan. 23, 2004**

(51) **LOC (8) Cl.** **08-02**

(52) **U.S. Cl.** **D8/75**

(58) **Field of Classification Search** D8/75,
D8/76, 77, 78, 79, 80, 81; 81/20, 21, 22,
81/23, 24, 25; 254/26 R, 26 E
See application file for complete search history.

(56) **References Cited**

U.S. PATENT DOCUMENTS

D209,653 S	*	12/1967	Vogel	D8/75
4,958,540 A	*	9/1990	Davis	81/20
D407,960 S	*	4/1999	Tyson	D8/80
D408,702 S	*	4/1999	Hammond et al.	D8/75
5,906,144 A	*	5/1999	Staviski et al.	81/20

D416,462 S	*	11/1999	Pringle et al.	D8/75
D420,881 S	*	2/2000	Davis et al.	D8/75
D470,380 S	*	2/2003	Huang	D8/75
6,619,408 B1	*	9/2003	Lai	173/90

* cited by examiner

Primary Examiner—Philip S. Hyder

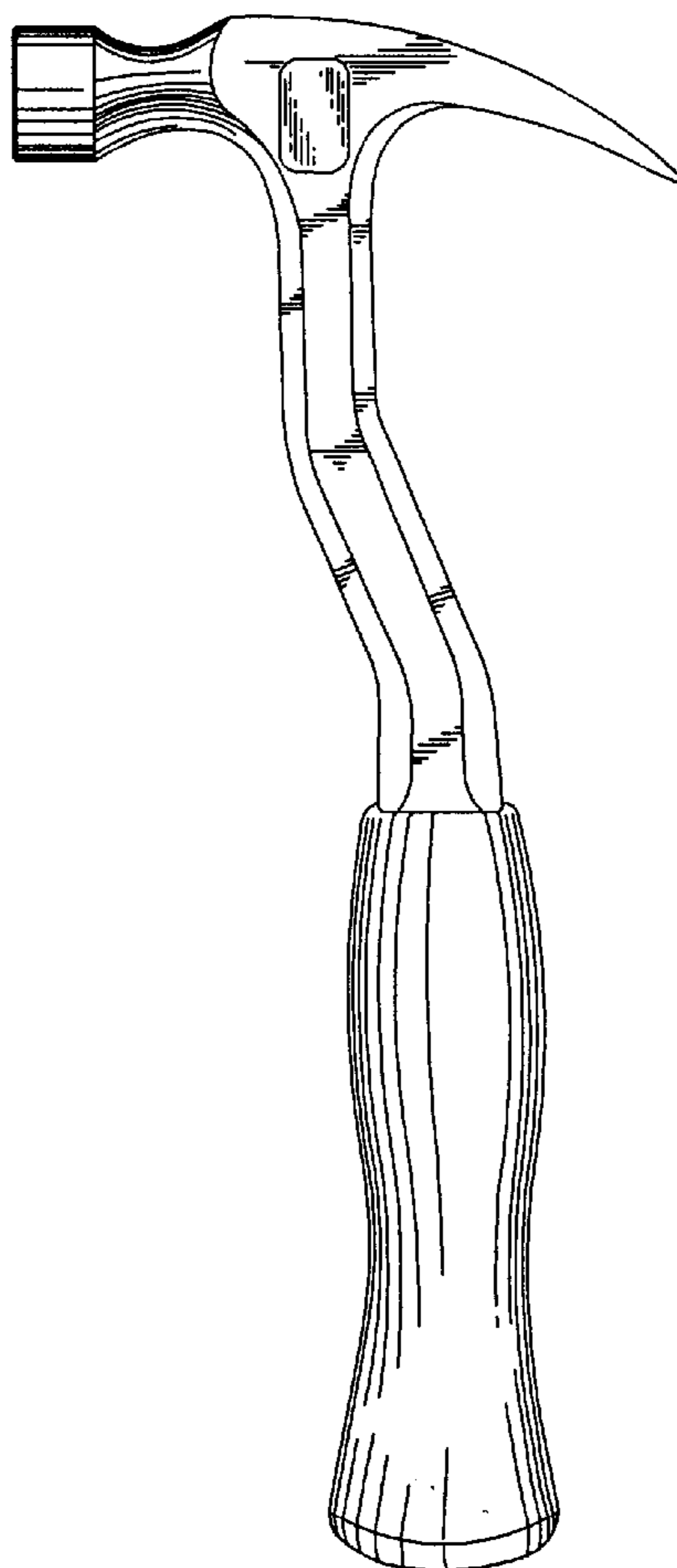
(57) **CLAIM**

The ornamental design for a hammer, as shown and described.

DESCRIPTION

FIG. 1 is a top plan view of a hammer showing my new design;
FIG. 2 is a side elevational view thereof;
FIG. 3 is a bottom plan view thereof;
FIG. 4 is a rear elevational view thereof;
FIG. 5 is a front elevational view thereof;
FIG. 6 is a side elevational view thereof;
FIG. 7 is an isometric view from one side thereof; and,
FIG. 8 is an isometric view from the other side thereof.

1 Claim, 3 Drawing Sheets



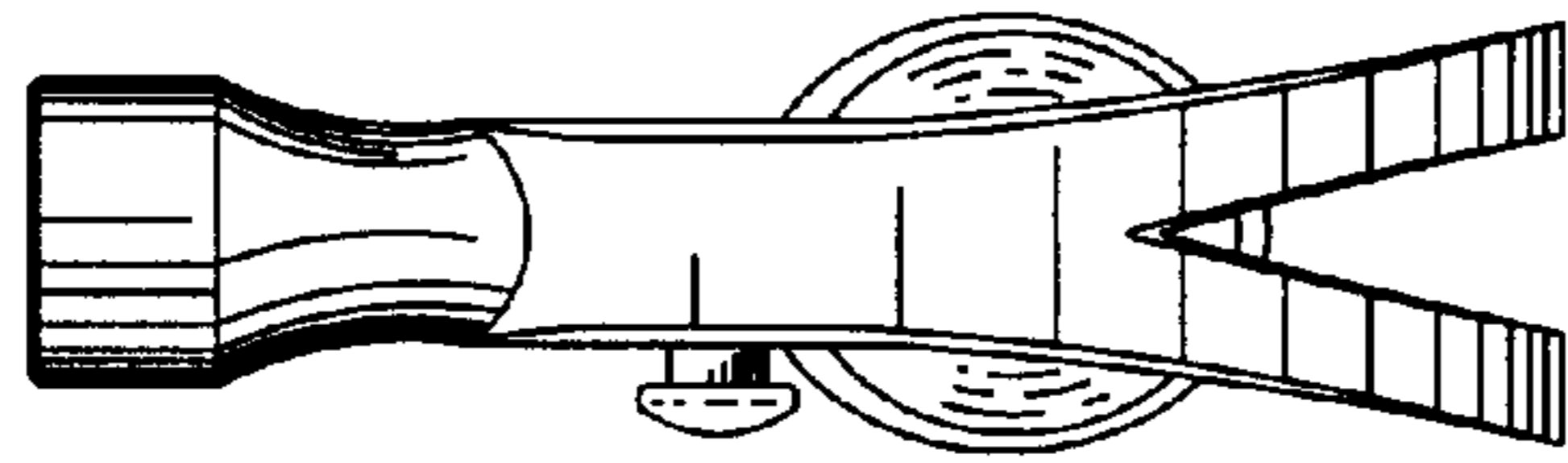


Fig 1

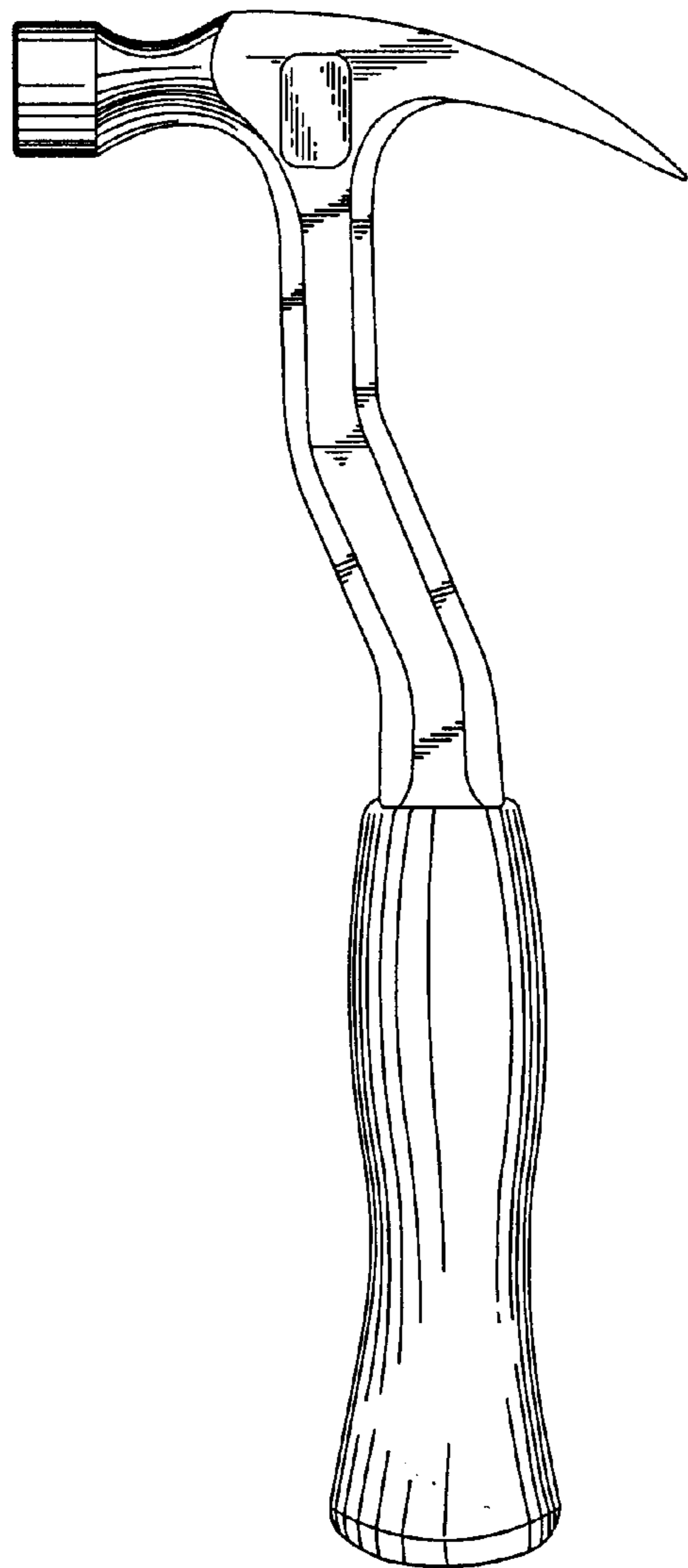


Fig 2

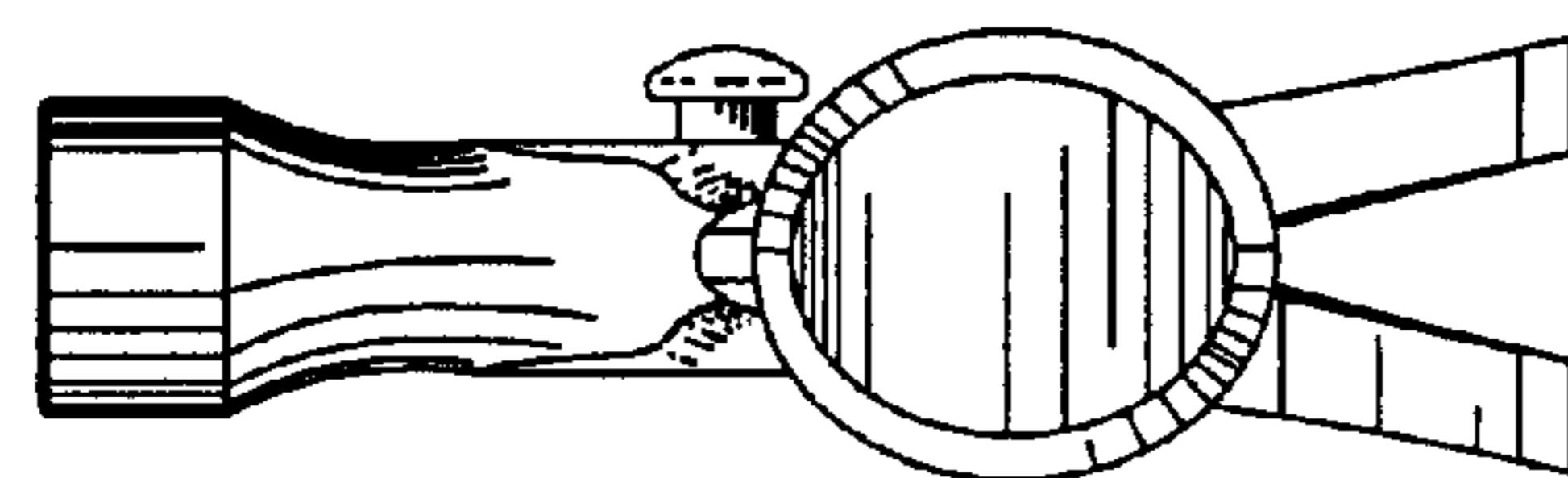


Fig 3

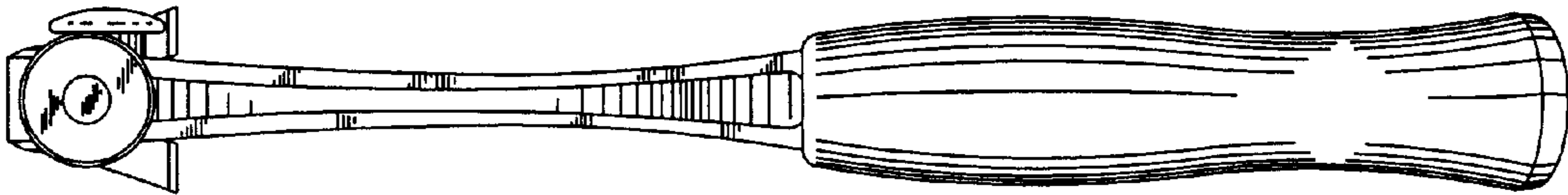


Fig 5

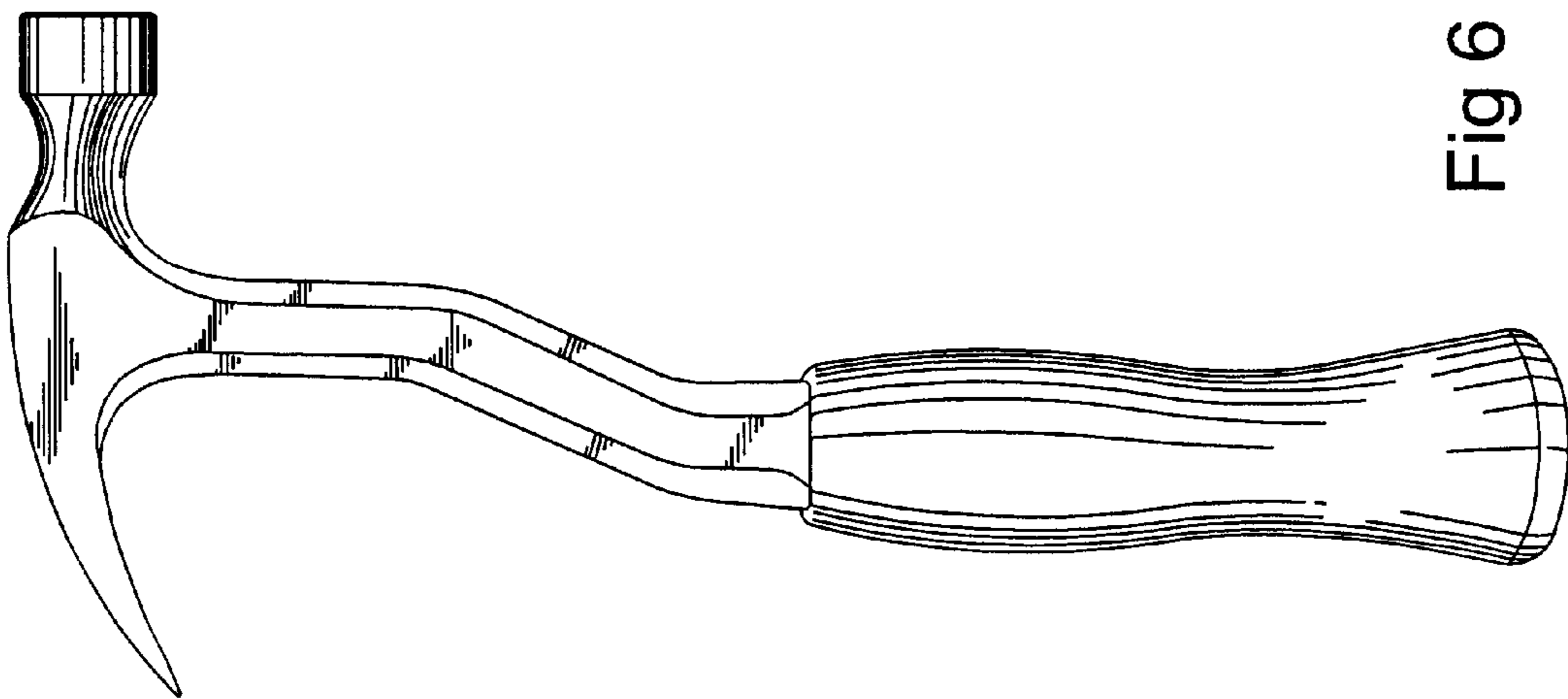


Fig 6

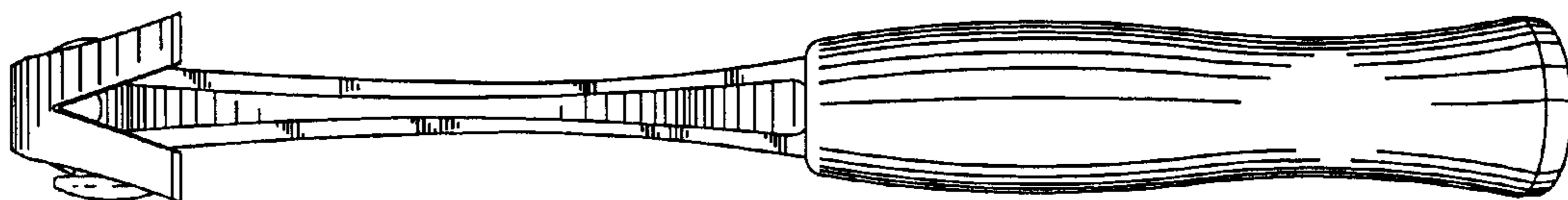


Fig 4

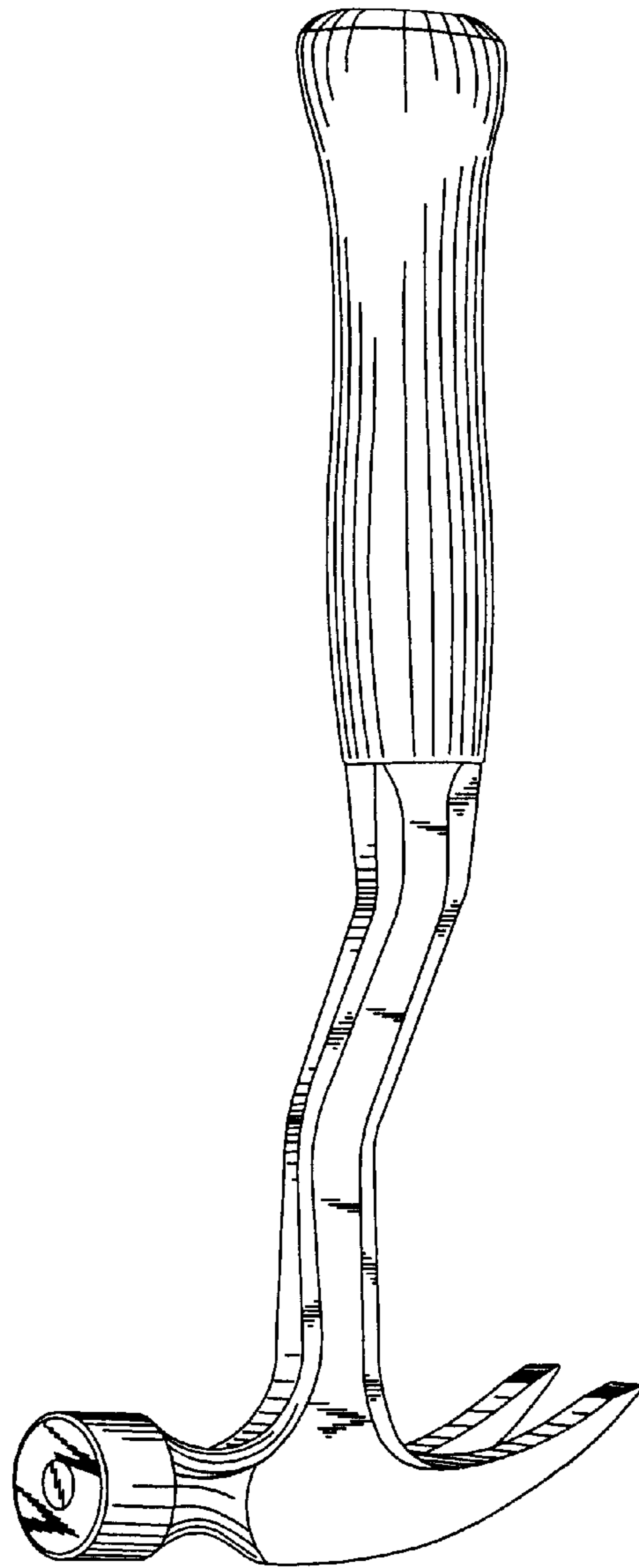


Fig 7

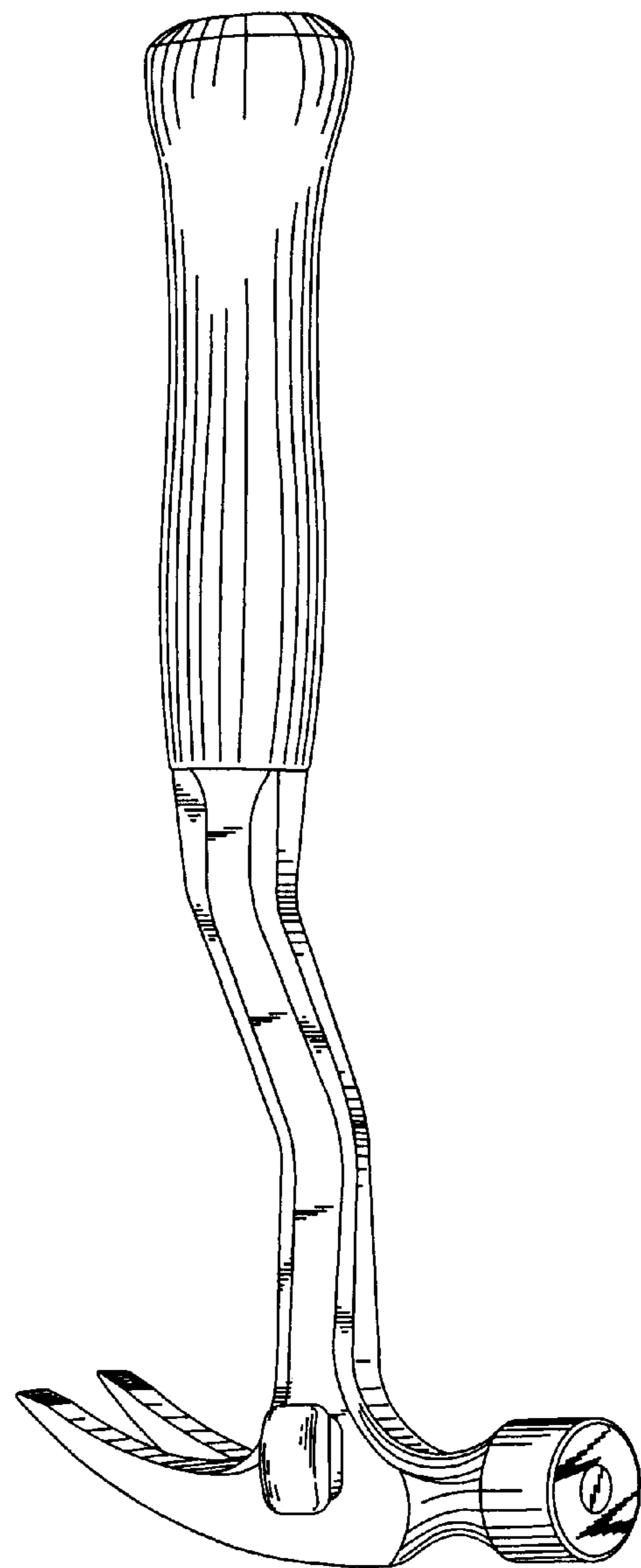


Fig 8