

US00D517886S

(12) **United States Design Patent**
Thomas et al.

(10) **Patent No.: US D517,886 S**
(45) **Date of Patent: ** Mar. 28, 2006**

(54) **FINISH STAPLER**

(75) Inventors: **Benjamin J. Thomas**, Anderson, SC
(US); **Taku Ohi**, Greer, SC (US)

(73) Assignee: **Eastway Fair Company Limited**,
Tortola (VG)

(**) Term: **14 Years**

(21) Appl. No.: **29/221,212**

(22) Filed: **Jan. 11, 2005**

(51) **LOC (8) Cl.** **08-05**

(52) **U.S. Cl.** **D8/69**

(58) **Field of Classification Search** D8/14.1,
D8/61, 62, 63, 64, 65, 66, 67, 68, 69, 70;
81/57.11, 429, 464, 465, 466, 469, 489; 173/13,
173/169, 178, 213, 217; 227/8, 114, 120,
227/130, 136, 142; 310/50; 408/20, 124,
408/125, 234, 241 R; 451/358

See application file for complete search history.

(56) **References Cited**

U.S. PATENT DOCUMENTS

| | | | | |
|----------------|---------|-----------------|-------|---------|
| D316,022 S * | 4/1991 | Moraht | | D8/69 |
| D338,818 S * | 8/1993 | Katsuba | | D8/62 |
| 5,564,614 A * | 10/1996 | Yang | | 227/8 |
| 5,588,577 A * | 12/1996 | Chen | | 227/120 |
| 5,720,422 A * | 2/1998 | Ichikawa et al. | | 227/120 |
| D396,178 S * | 7/1998 | Hattori | | D8/68 |
| D410,182 S * | 5/1999 | Etter et al. | | D8/69 |
| 5,967,396 A * | 10/1999 | Chuang | | 227/120 |
| 6,036,072 A * | 3/2000 | Lee | | 227/120 |
| 6,158,643 A * | 12/2000 | Phillips | | 227/130 |
| 6,296,167 B1 * | 10/2001 | Jen | | 227/136 |
| D459,184 S * | 6/2002 | Buck | | D8/69 |
| 6,398,097 B1 * | 6/2002 | Liang | | 227/136 |

| | | | | |
|-------------------|---------|--------------|-------|---------|
| D462,884 S * | 9/2002 | Oh | | D8/69 |
| D475,597 S * | 6/2003 | Arai | | D8/68 |
| D477,762 S * | 7/2003 | Bor | | D8/68 |
| D479,110 S * | 9/2003 | Nolan et al. | | D8/68 |
| 6,644,530 B1 * | 11/2003 | Chen | | 227/120 |
| 6,695,193 B1 * | 2/2004 | Chang | | 227/8 |
| 6,695,194 B1 * | 2/2004 | Chang | | 227/8 |
| D497,091 S * | 10/2004 | Leasure | | D8/68 |
| D498,127 S * | 11/2004 | Leasure | | D8/68 |
| D499,321 S * | 12/2004 | Buck et al. | | D8/68 |
| 6,896,165 B1 * | 5/2005 | Wang | | 227/120 |
| 2002/0056739 A1 * | 5/2002 | Liu | | 227/8 |
| 2004/0169057 A1 * | 9/2004 | Ronconi | | 227/120 |

FOREIGN PATENT DOCUMENTS

GB 2103460 S * 2/2001

* cited by examiner

Primary Examiner—Gary D. Watson

Assistant Examiner—T Chase Nelson

(74) *Attorney, Agent, or Firm*—Brinks Hofer Gilson & Lione

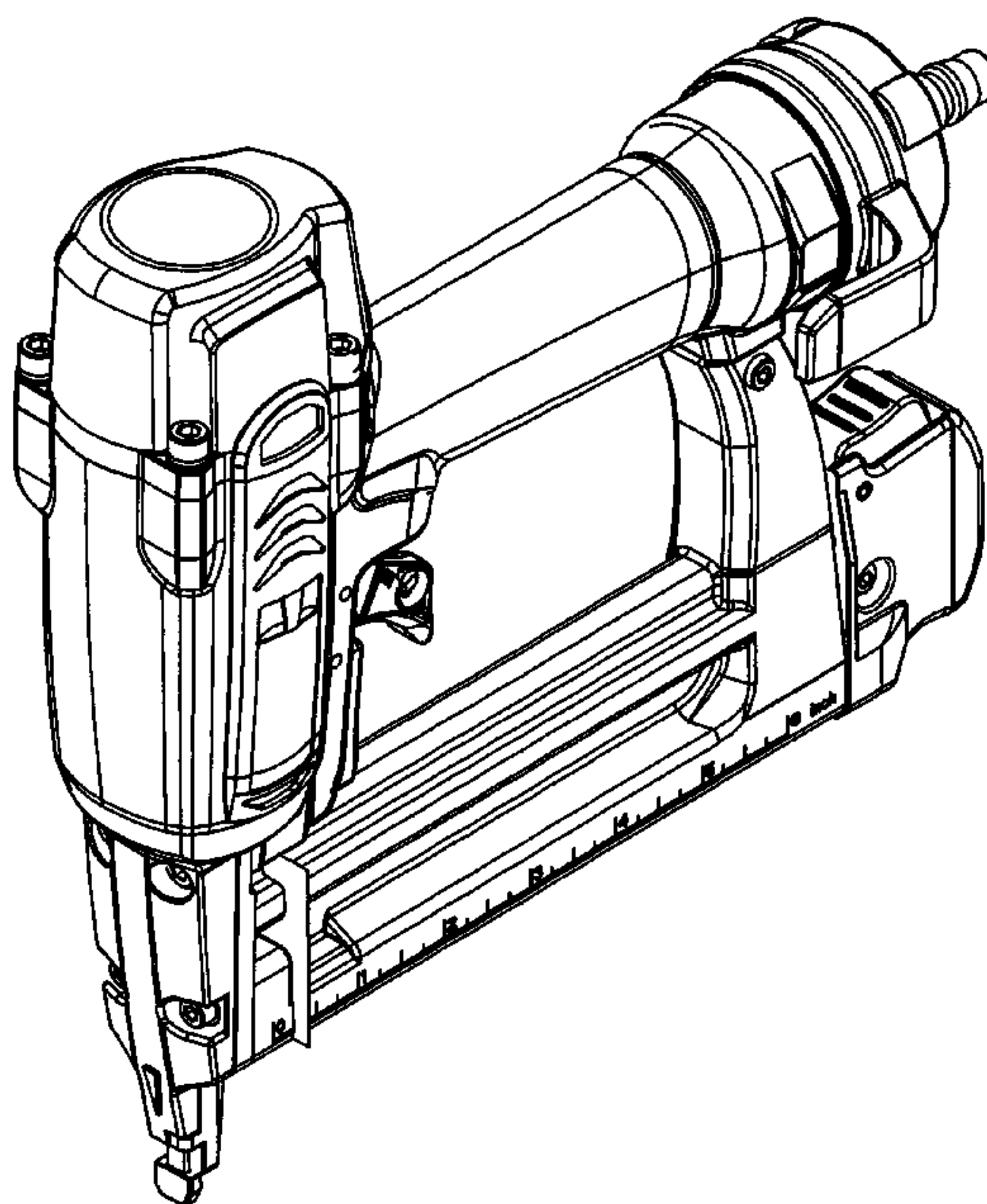
(57) **CLAIM**

We claim the ornamental design for a finish stapler, as shown and described.

DESCRIPTION

FIG. 1 is a top perspective view of a finish stapler of the present invention;
FIG. 2 is a first side view thereof;
FIG. 3 is a second side view thereof;
FIG. 4 is a top view thereof;
FIG. 5 is a bottom view thereof;
FIG. 6 is a rear view thereof; and,
FIG. 7 is a front view thereof.

1 Claim, 5 Drawing Sheets



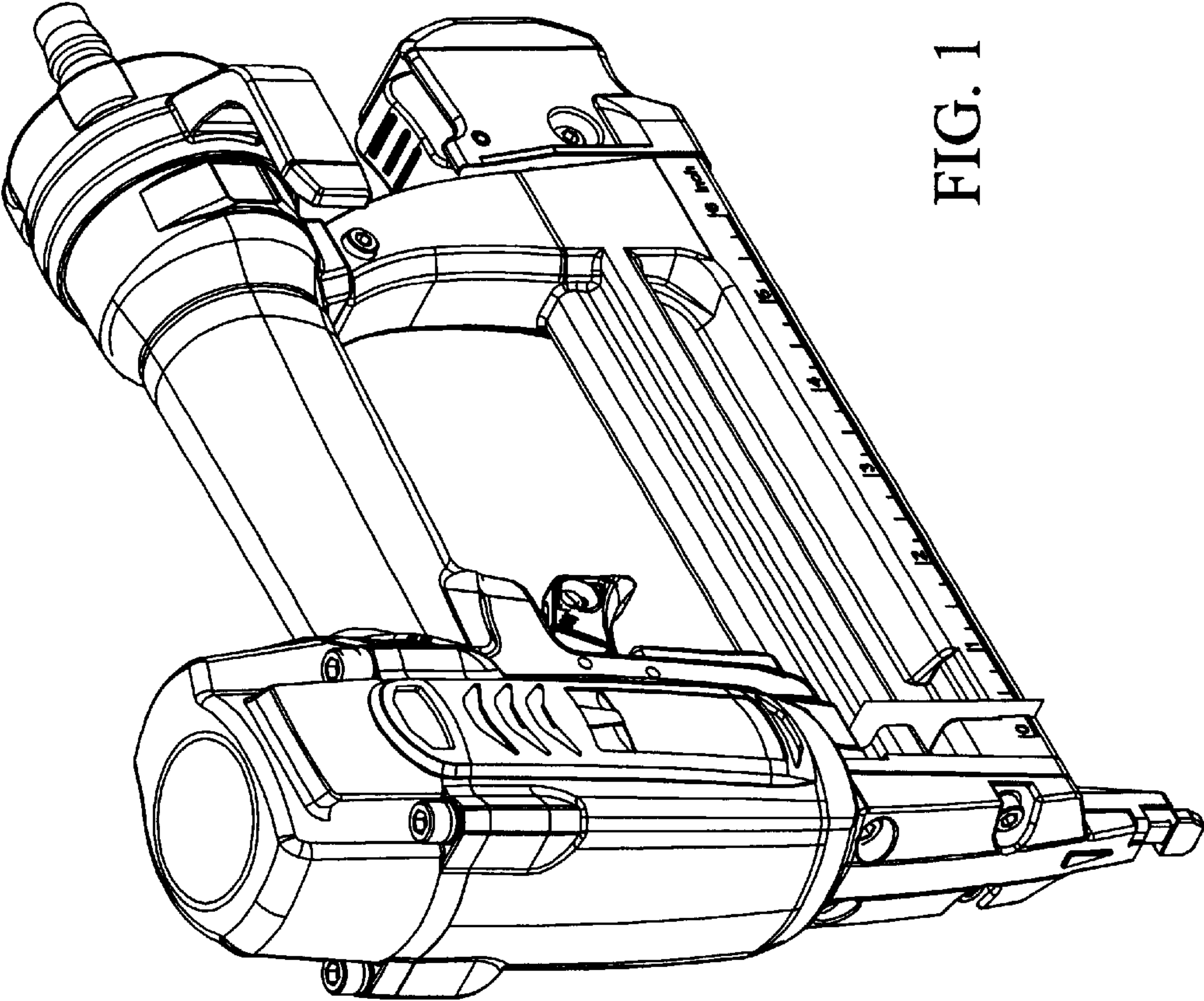


FIG. 1

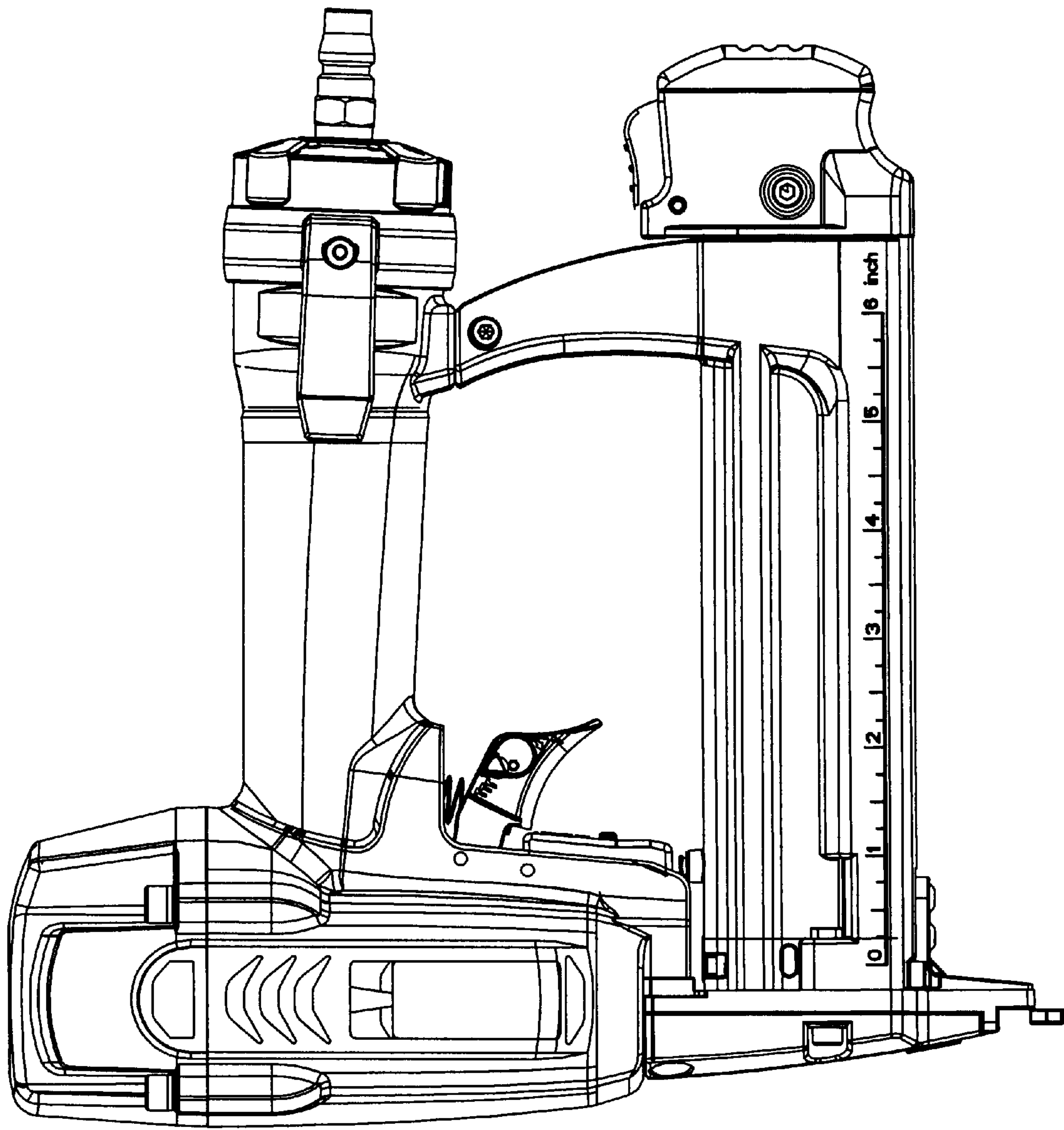


FIG. 2

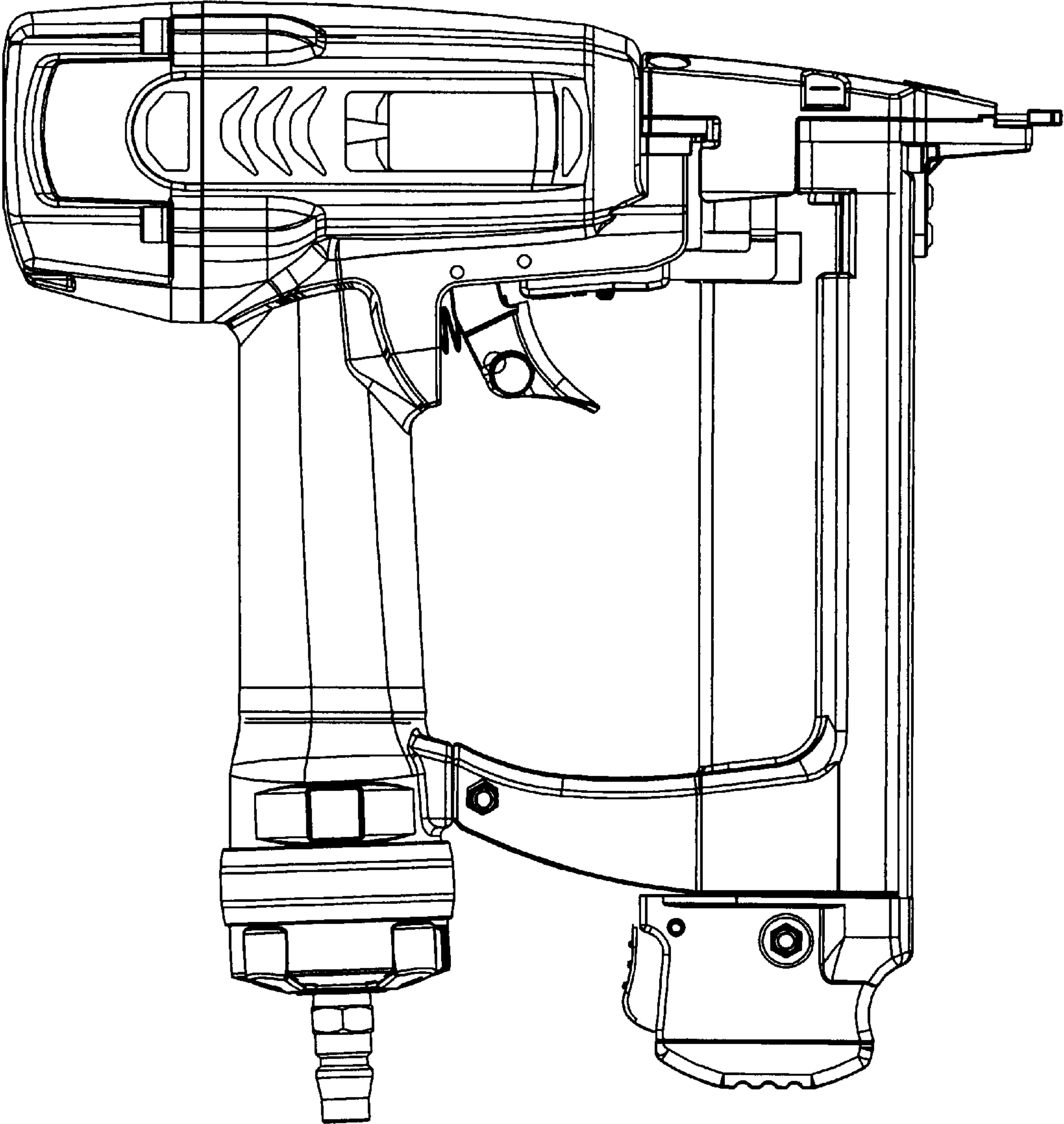


FIG. 3

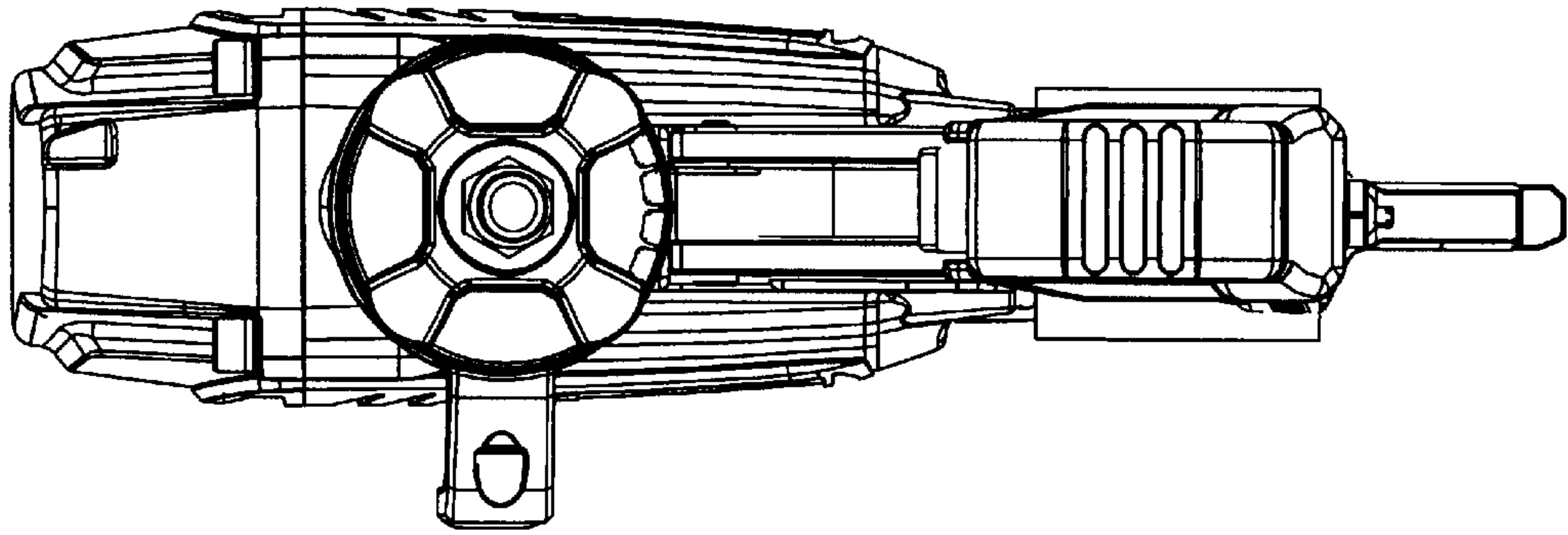


FIG. 5

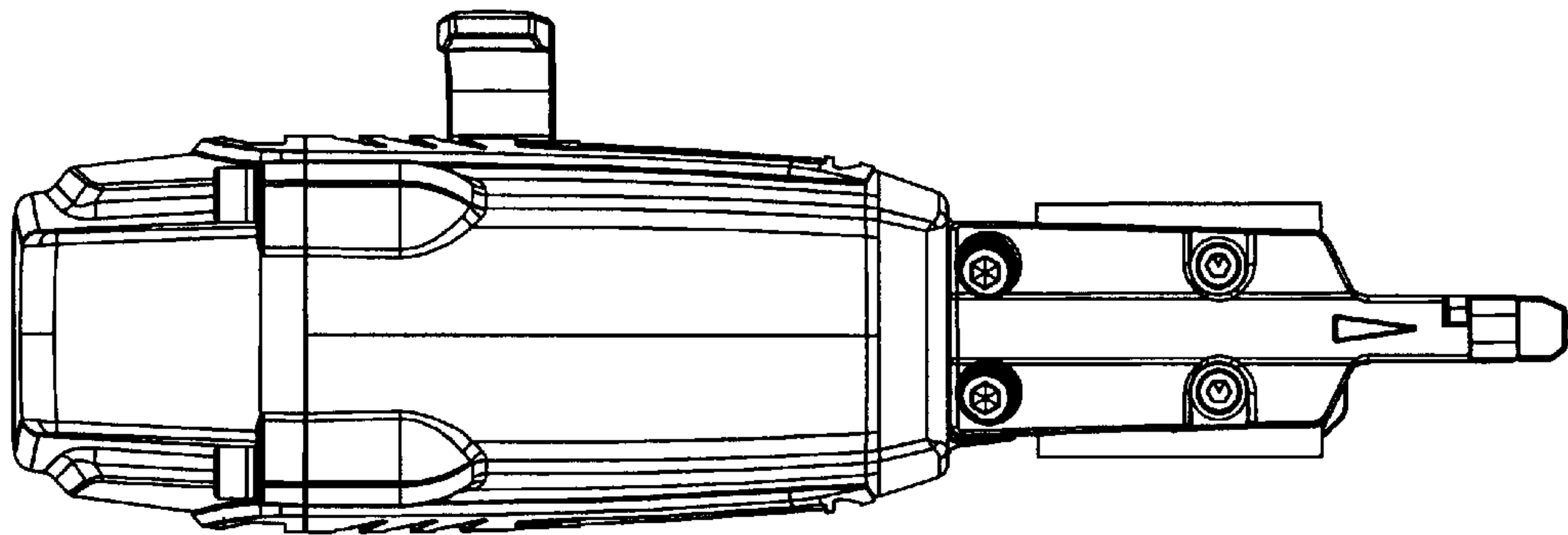


FIG. 4

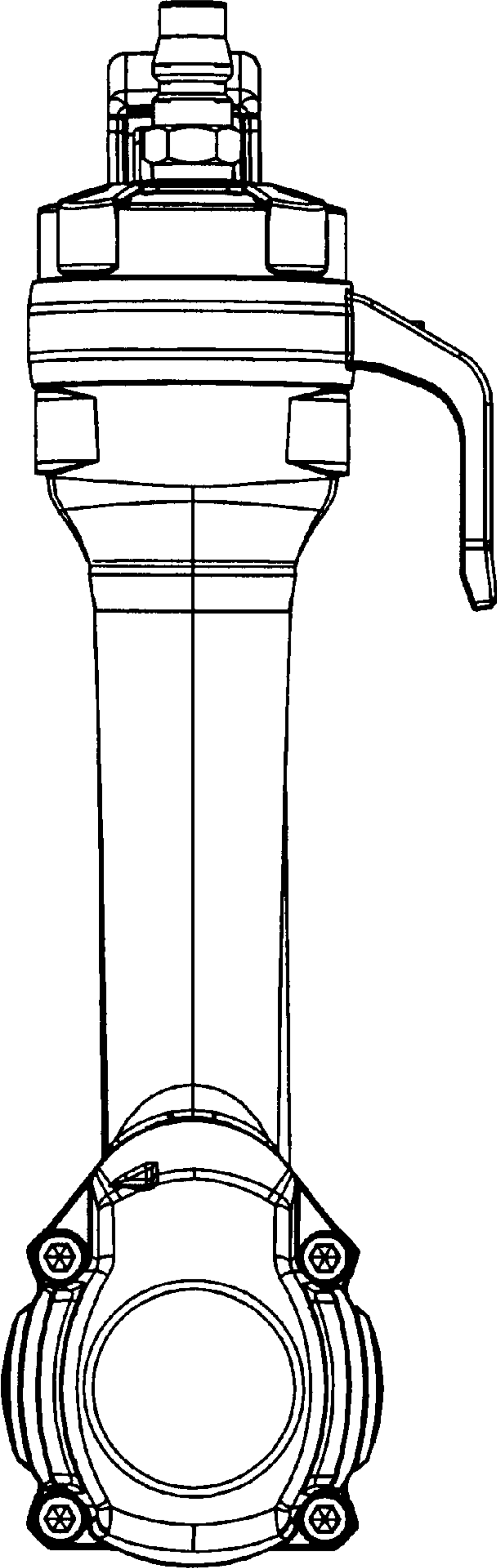


FIG. 6

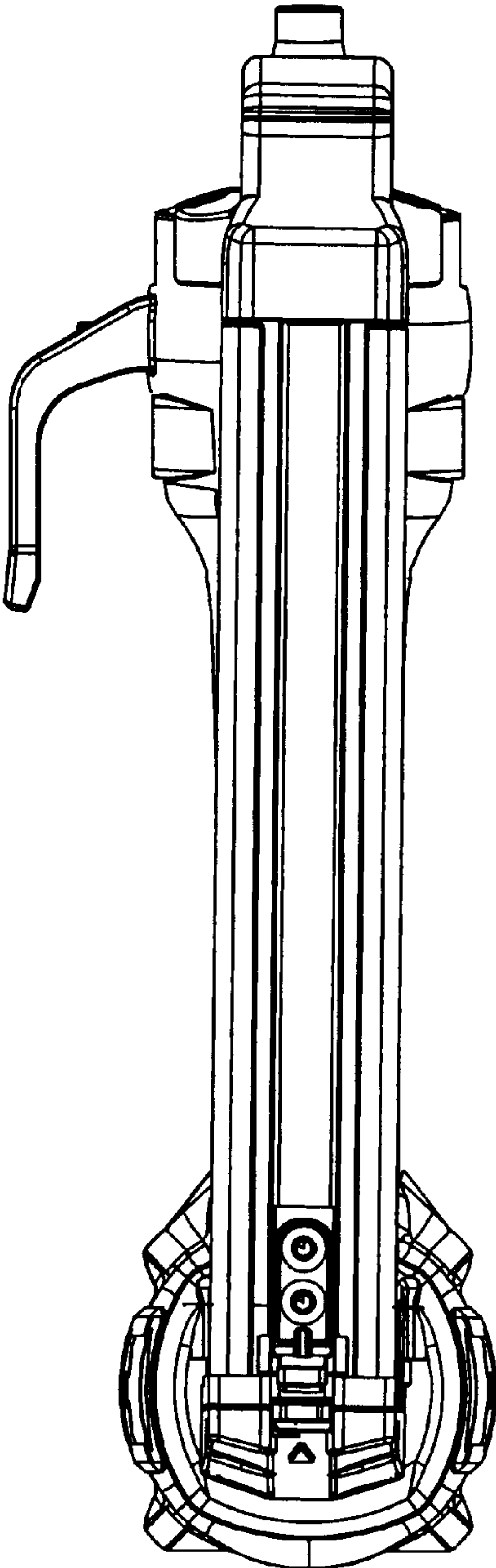


FIG. 7