

US00D517884S

(12) **United States Design Patent**
Ellingwood

(10) **Patent No.:** **US D517,884 S**

(45) **Date of Patent:** **** Mar. 28, 2006**

(54) **PILL EXTRACTOR**

(76) **Inventor:** **Peter James Ellingwood**, 11722 Currie
La. Unit #F-3, Largo, FL (US) 33774

(**) **Term:** **14 Years**

(21) **Appl. No.:** **29/214,406**

(22) **Filed:** **Oct. 4, 2004**

(51) **LOC (8) Cl.** **08-05**

(52) **U.S. Cl.** **D8/51; D24/133**

(58) **Field of Classification Search** D24/133,
D24/147; D8/51, 98; 206/538, 539, 531,
206/540, 535, 532; 221/25, 31, 26
See application file for complete search history.

(56) **References Cited**

U.S. PATENT DOCUMENTS

5,009,561	A	*	4/1991	Lombardino et al.	221/25
5,431,283	A	*	7/1995	Weinstein et al.	206/531
5,722,563	A	*	3/1998	Hunts	221/25
5,909,822	A	*	6/1999	George et al.	221/25
6,155,454	A	*	12/2000	George et al.	206/531
D444,361	S	*	7/2001	Schulze	D8/51

6,557,740 B1 * 5/2003 Dent 206/532
2005/0139605 A1 * 6/2005 Benktzon et al. 221/25

* cited by examiner

Primary Examiner—Ian Simmons

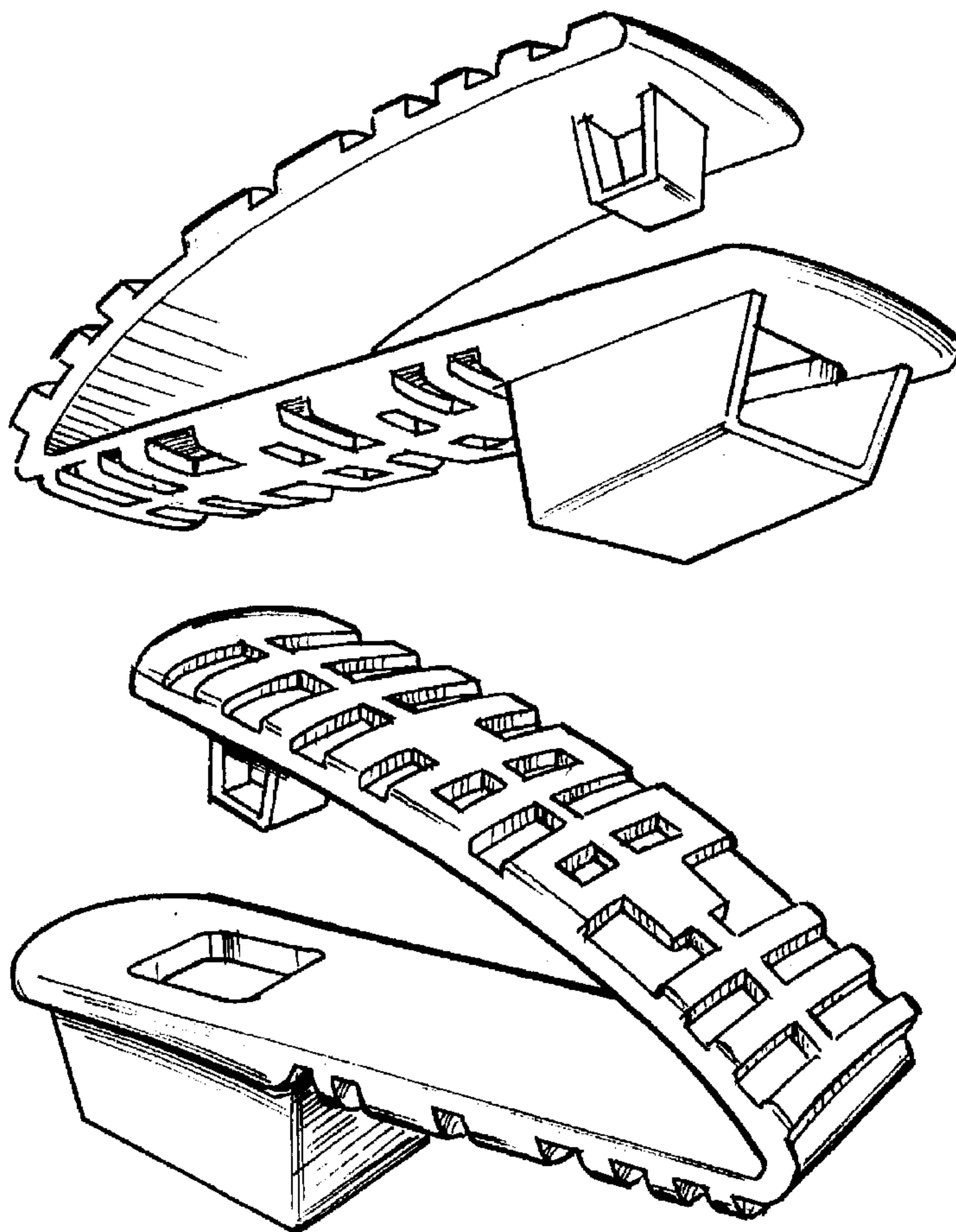
(57) **CLAIM**

The ornamental design for a pill extractor, as shown and described.

DESCRIPTION

FIG. 1 is a right side perspective view taken from below and in front of a pill extractor showing my new design;
FIG. 2 is right side elevation view thereof;
FIG. 3 is a front elevation view thereof, the broken line showing of the pills are for illustrative purposes only and forms no part of the claimed design;
FIG. 4 is a bottom plan view thereof;
FIG. 5 is a left side perspective view taken from above and behind thereof;
FIG. 6 is a left side elevation view thereof;
FIG. 7 is a rear elevation view thereof; and,
FIG. 8 is a top plan view thereof.

1 Claim, 2 Drawing Sheets



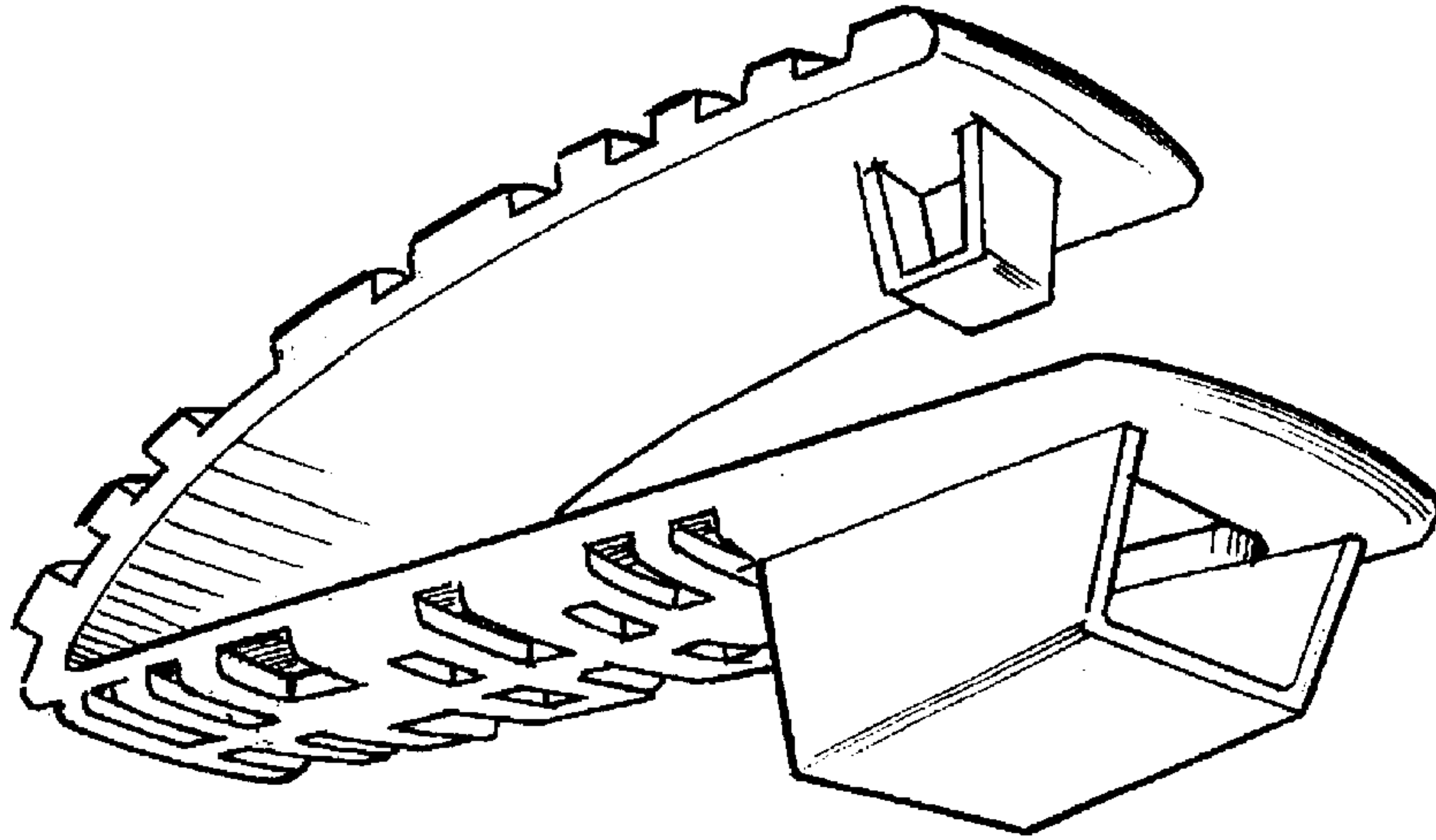


FIG. 1

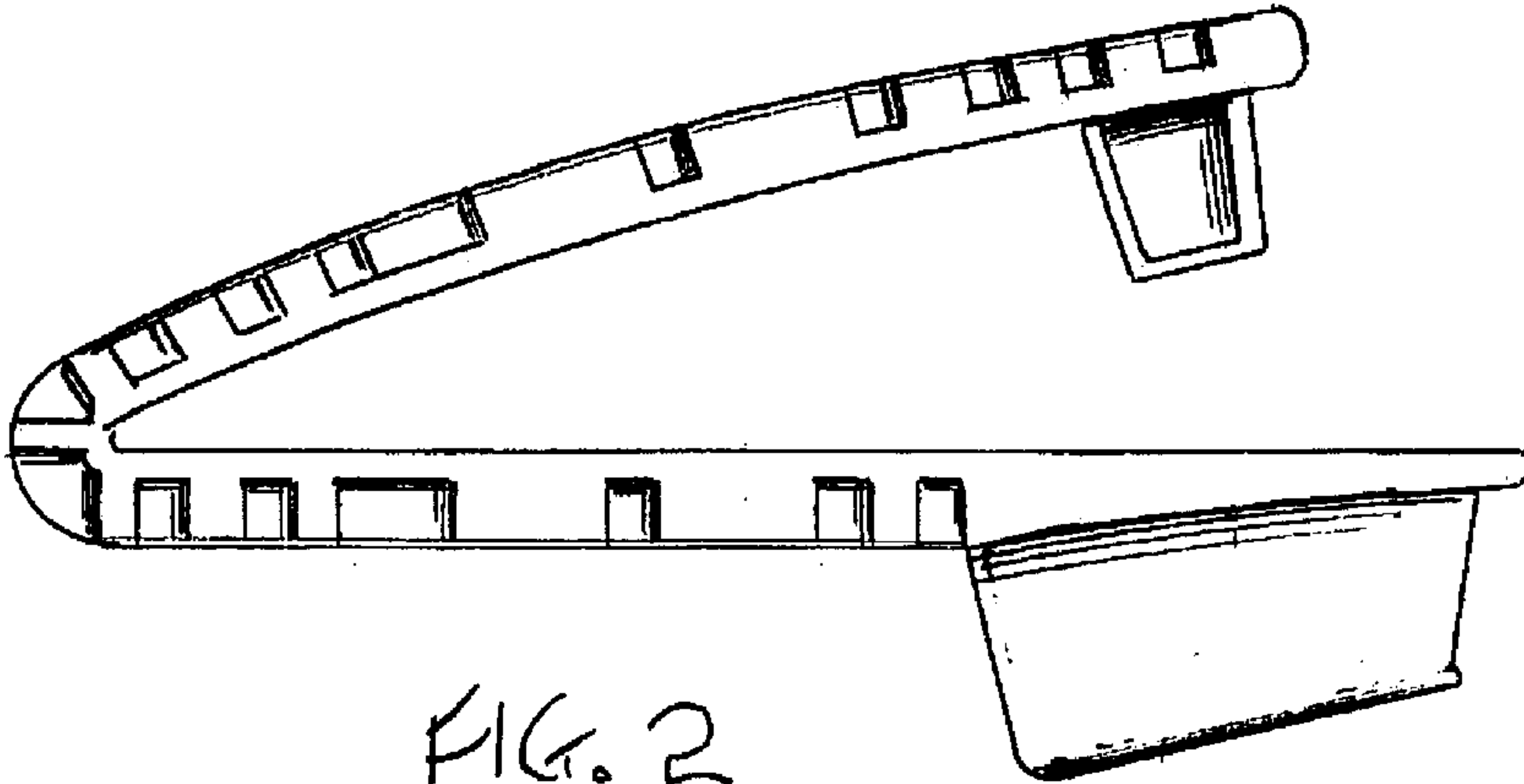


FIG. 2

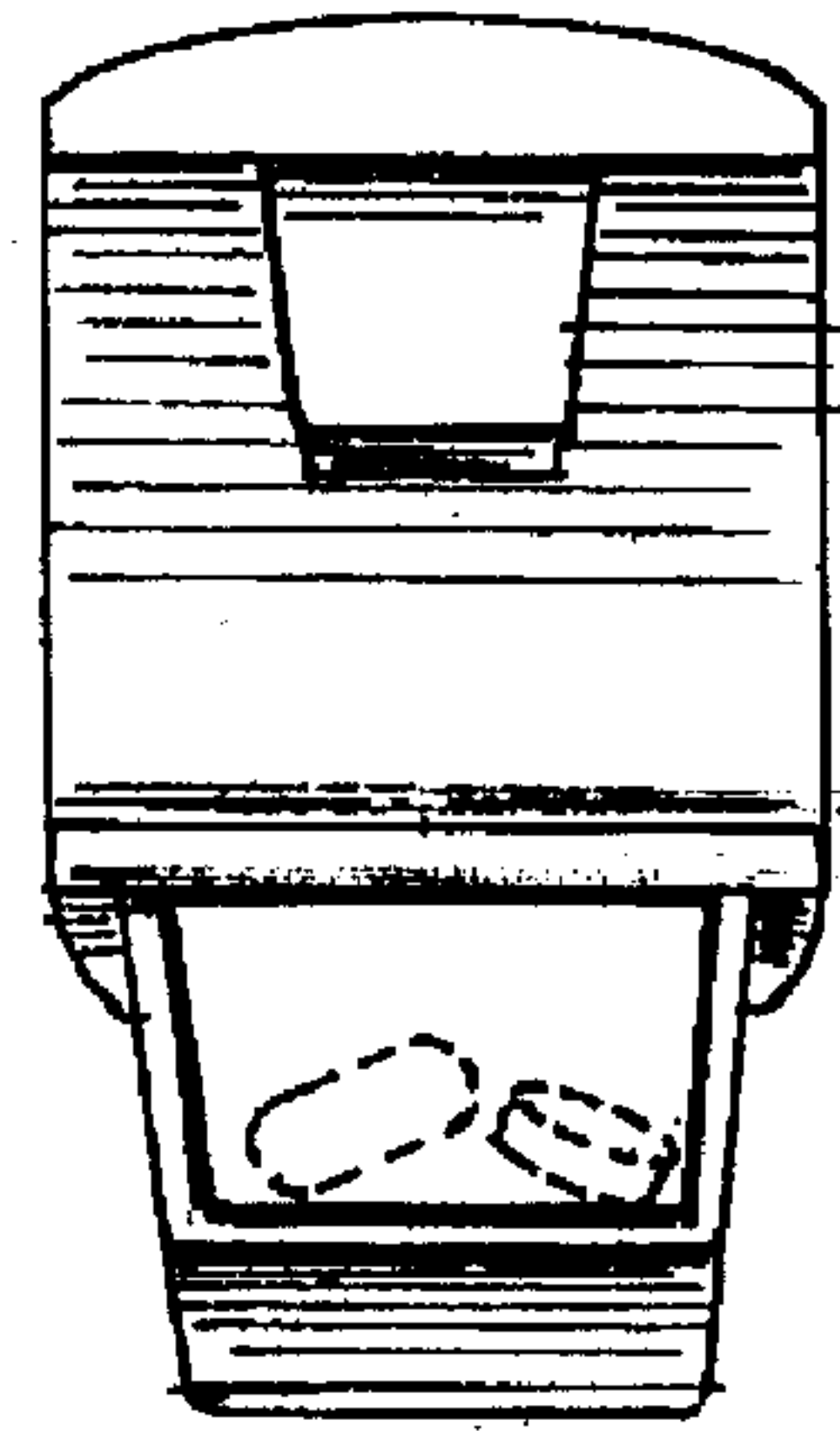


FIG. 3

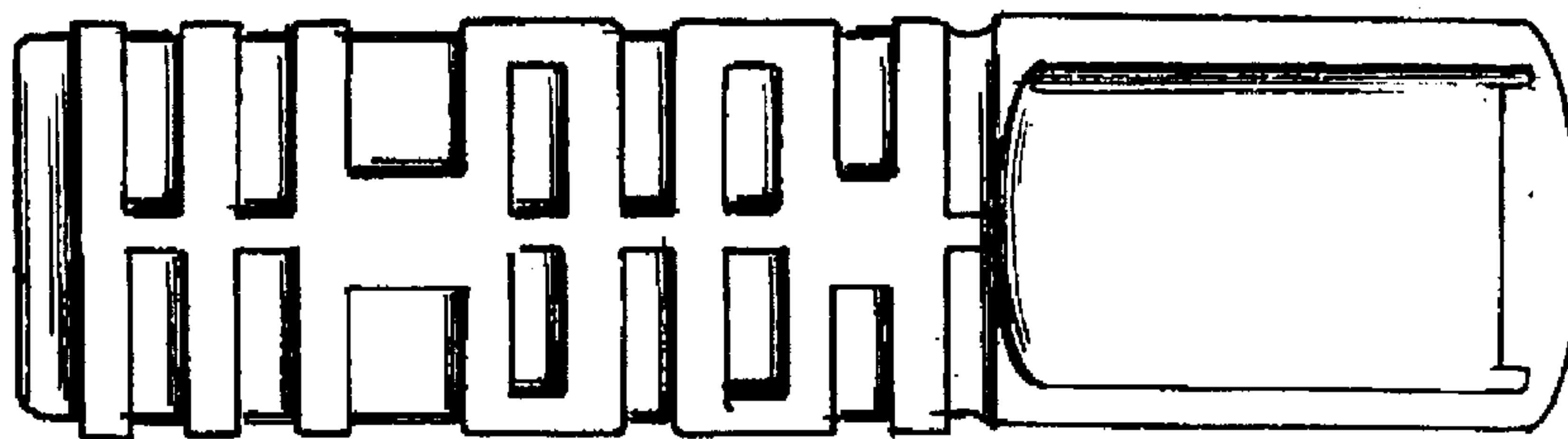


FIG. 4

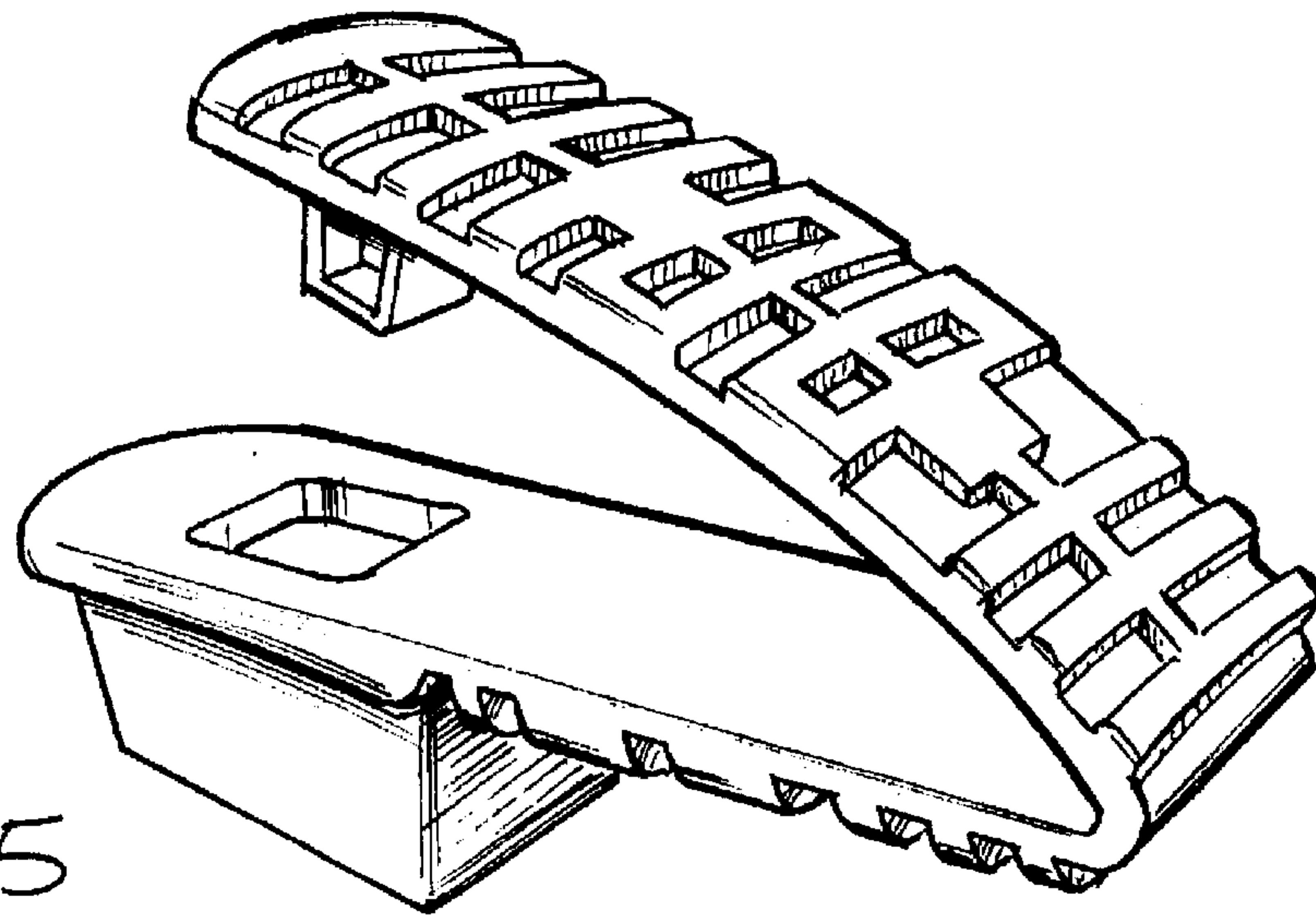


FIG. 5

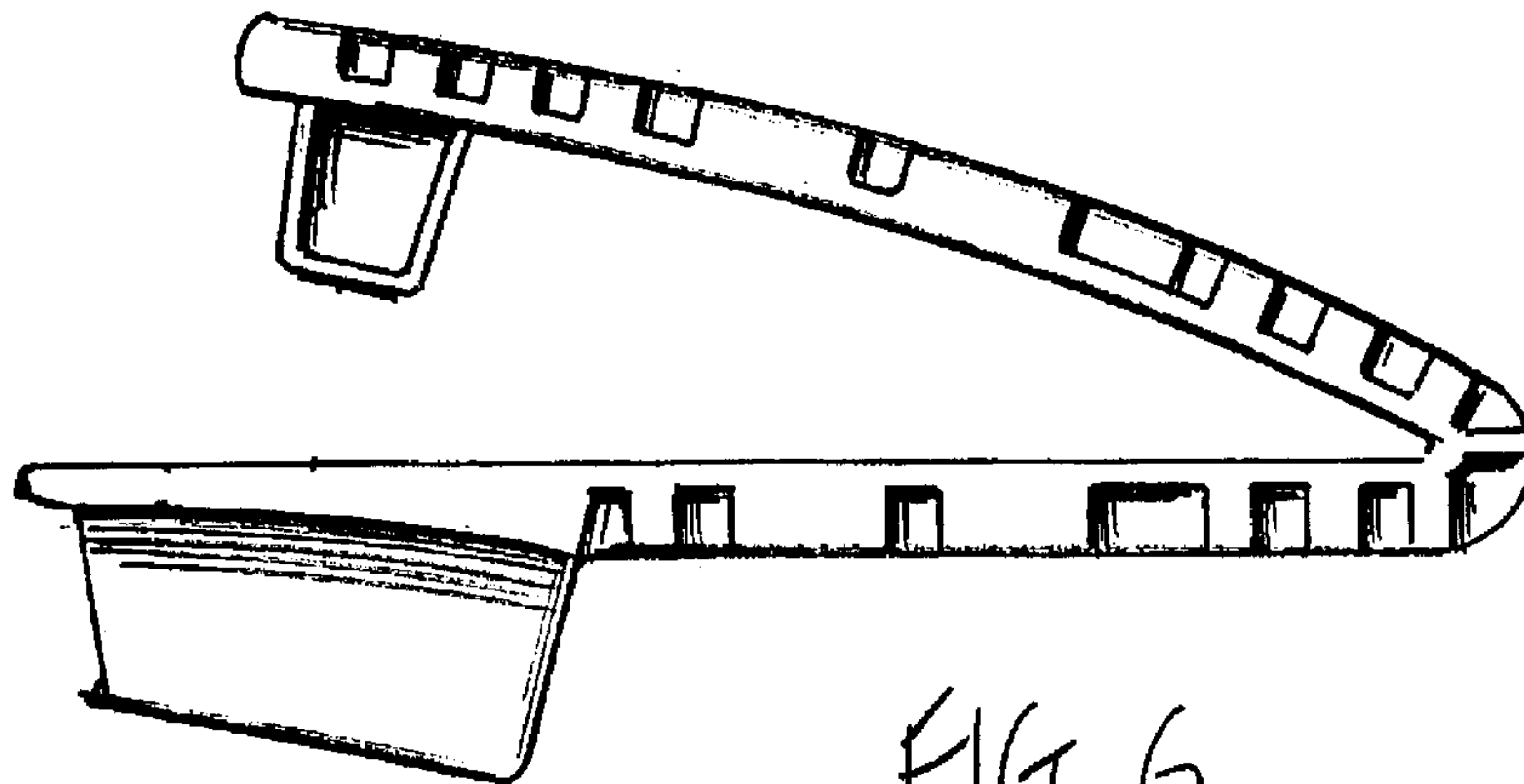


FIG. 6

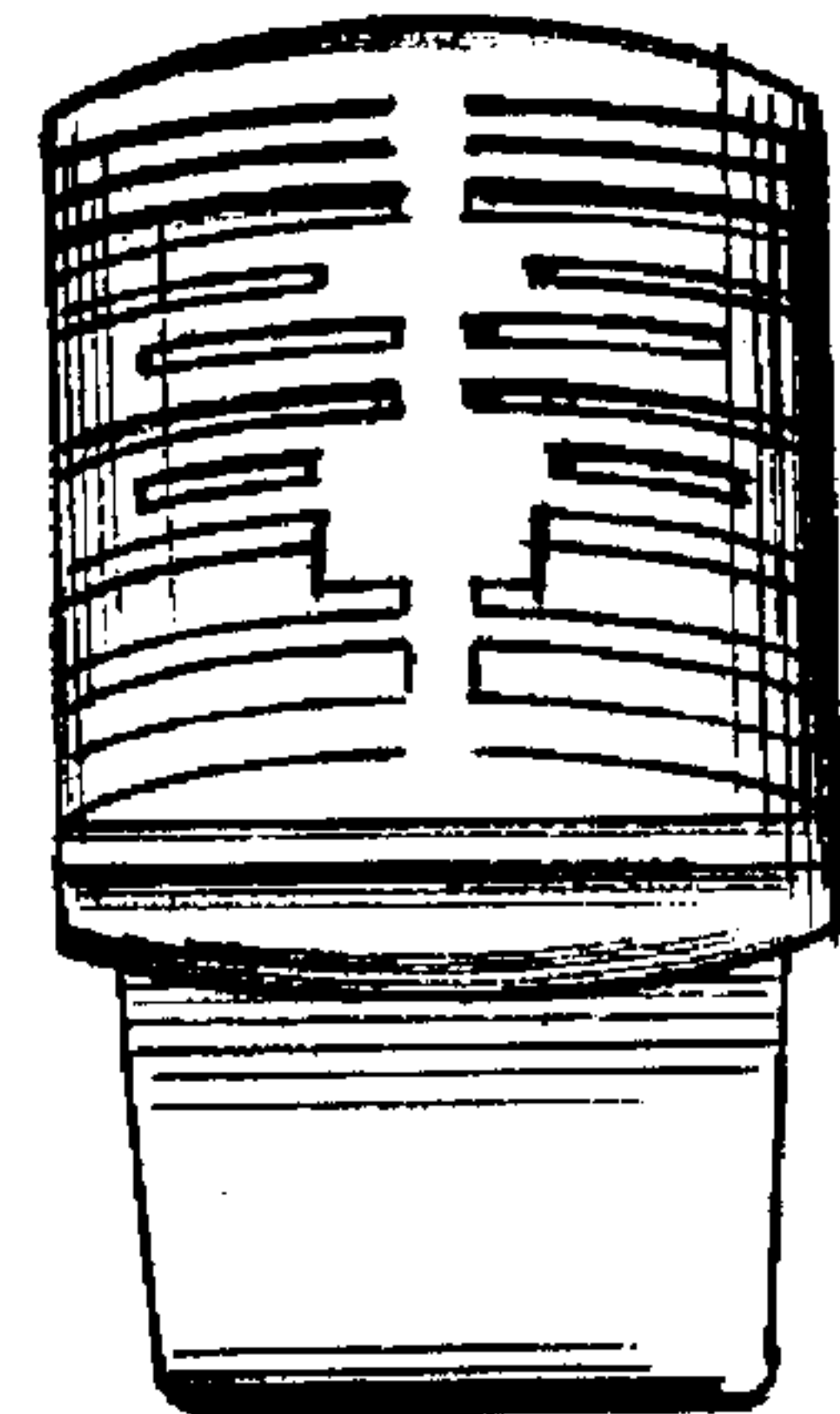


FIG. 7

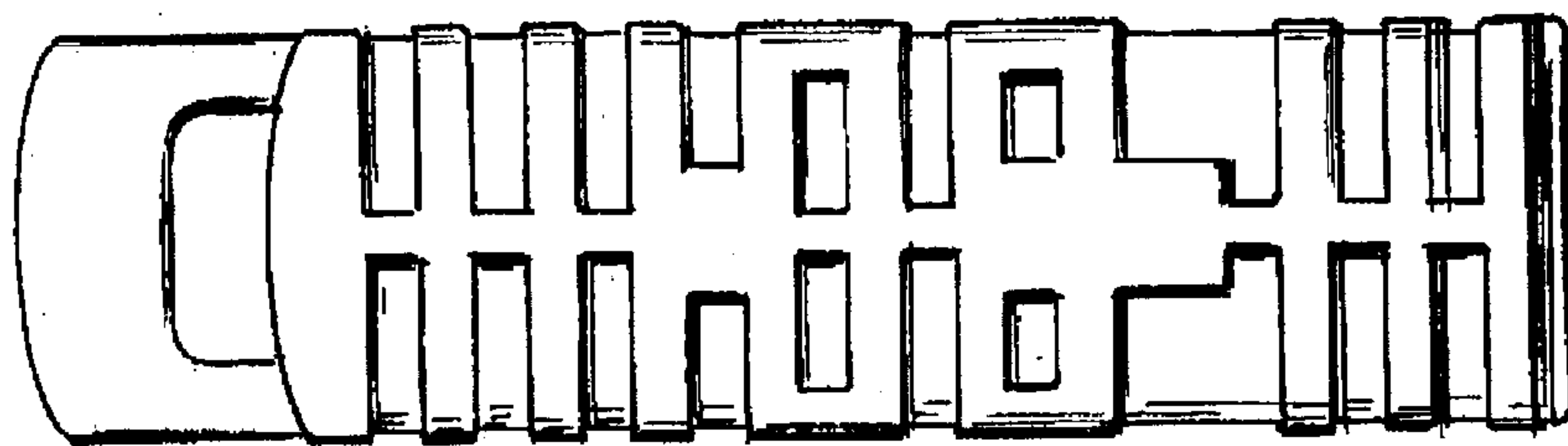


FIG. 8