



US00D517880S

(12) **United States Design Patent**
Melendy et al.

(10) **Patent No.:** **US D517,880 S**
(45) **Date of Patent:** **** Mar. 28, 2006**

(54) **CARTRIDGE GLUE GUN AND HEATED STAND**

(75) Inventors: **Peter Melendy**, Brentwood, NH (US); **Richard Belanger**, Kensington, NH (US); **Marwan Aylouche**, Marblehead, MA (US); **John Fiegner**, Marblehead, MA (US); **Michael Tintsman**, Lynn, MA (US)

(73) Assignee: **Adhesive Technologies, Inc.**, Hampton, NH (US)

(**) Term: **14 Years**

(21) Appl. No.: **29/198,742**

(22) Filed: **Feb. 5, 2004**

(51) **LOC (8) Cl.** **08-05**

(52) **U.S. Cl.** **D8/30**

(58) **Field of Classification Search** D8/14.1,
D8/29.1, 29.2, 30, 68; 219/227, 229, 146.5,
219/146.2, 146.1; 401/2

See application file for complete search history.

(56) **References Cited**

U.S. PATENT DOCUMENTS

D303,611 S	*	9/1989	Spirk et al.	D8/14.1
D315,852 S	*	4/1991	Nusse et al.	D8/30
D316,019 S	*	4/1991	Belanger	D8/30
D316,506 S	*	4/1991	Nusse et al.	D8/30
D325,154 S	*	4/1992	King et al.	D8/30
D399,719 S	*	10/1998	Mignanelli	D8/68
D404,622 S	*	1/1999	Singleton	D8/29.1
D406,992 S	*	3/1999	Cheng	D8/30
5,881,923 A	*	3/1999	Bokros	222/146.5
D414,663 S	*	10/1999	Bokros	D8/30
D474,949 S	*	5/2003	Schaffeld et al.	D8/14.1

* cited by examiner

Primary Examiner—Philip S. Hyder

(74) *Attorney, Agent, or Firm*—Clark & Brody

(57) **CLAIM**

The ornamental design for the cartridge glue gun and heated stand, as shown and described.

DESCRIPTION

FIG. 1 is a perspective of a cartridge glue gun and heated stand showing our new design, wherein a plunger and cartridge are shown in phantom lines for illustrative purposes only and form no part of the claimed design.

FIG. 2 is a perspective of the cartridge glue gun portion of our design for a cartridge glue gun and heated stand.

FIG. 3 is a left side elevation of the cartridge glue gun portion of our design for a cartridge glue gun and heated stand, the right side elevation being a mirror image thereof.

FIG. 4 is a top plan view of the cartridge glue gun portion of our design for a cartridge glue gun and heated stand.

FIG. 5 is a bottom plan view of the cartridge glue gun portion of our design for a cartridge glue gun and heated stand.

FIG. 6 is a front elevation view of the cartridge glue gun portion of our design for a cartridge glue gun and heated stand.

FIG. 7 is a rear elevation view of the cartridge glue gun portion of our design for a cartridge glue gun and heated stand.

FIG. 8 is right side elevation of the heated stand portion of our design for a cartridge glue gun and heated stand, the left side elevation being a mirror image thereof.

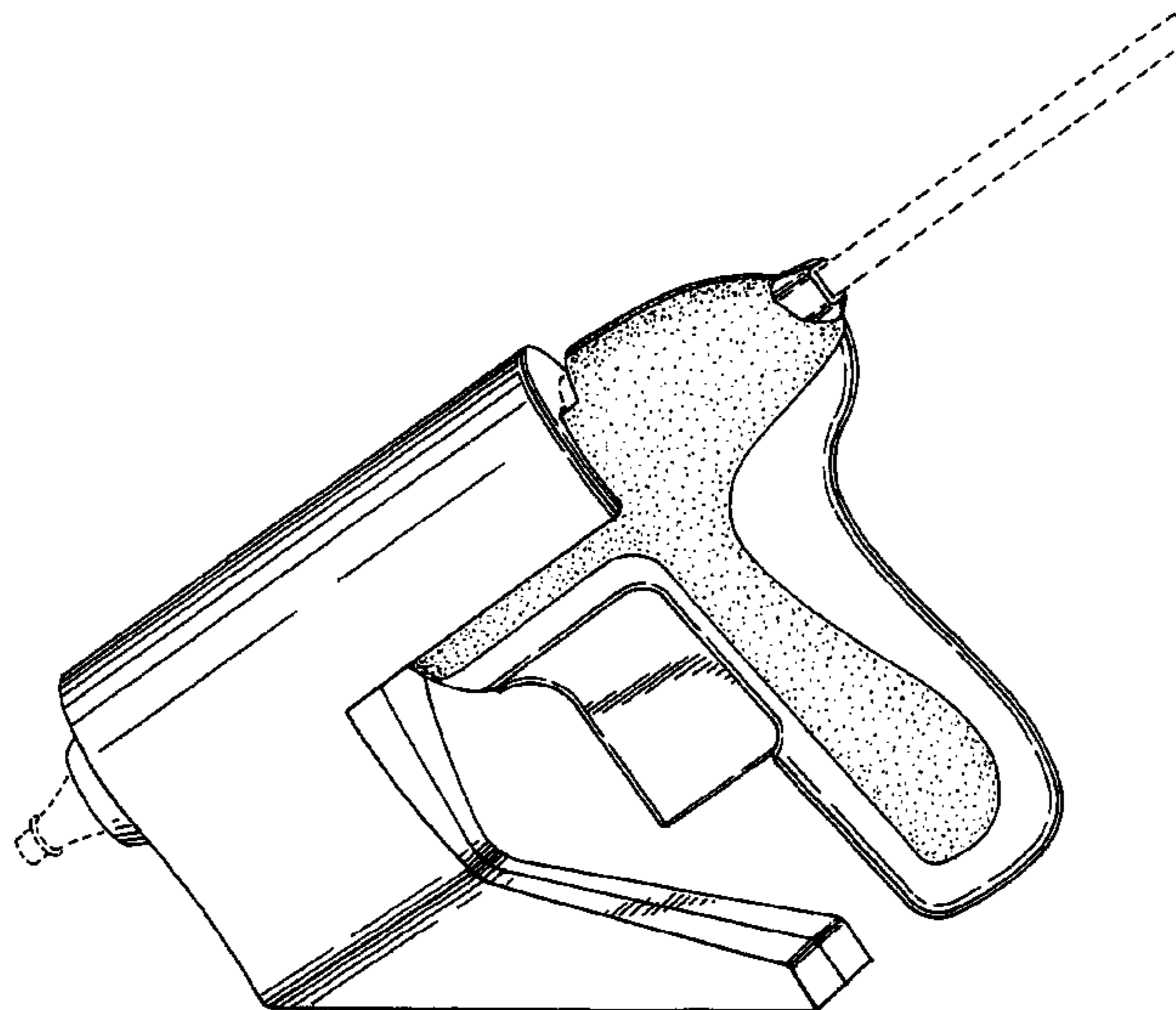
FIG. 9 is a top plan view of the heated stand portion of our design for a cartridge glue gun and heated stand.

FIG. 10 is a bottom view of the heated stand portion of our design for a cartridge glue gun and heated stand.

FIG. 11 is a rear elevation view of the heated stand portion of our design for a cartridge glue gun and heated stand; and,

FIG. 12 is a front elevation view of the heated stand portion of our design for a cartridge glue gun and heated stand.

1 Claim, 7 Drawing Sheets



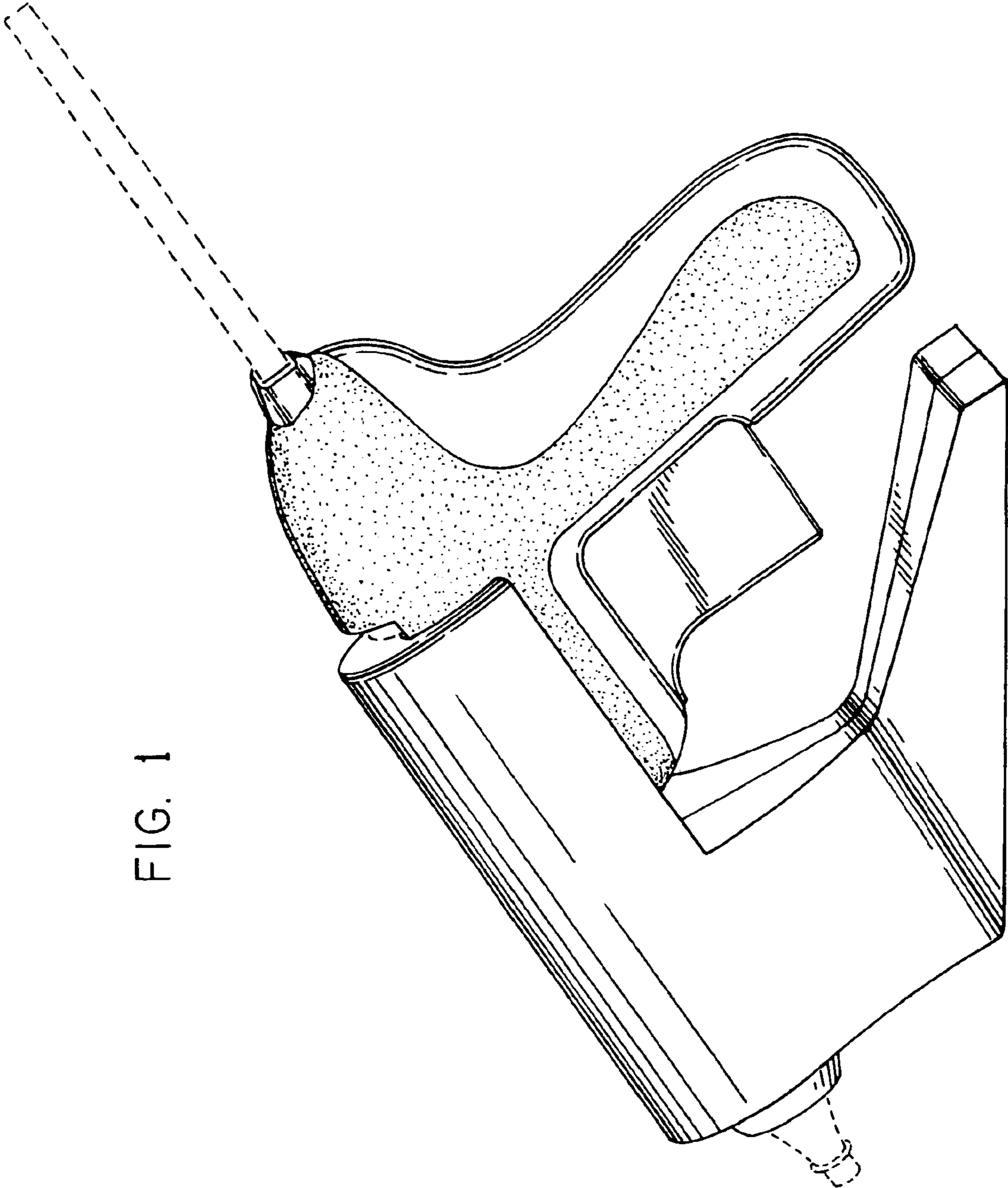


FIG. 1

FIG. 2

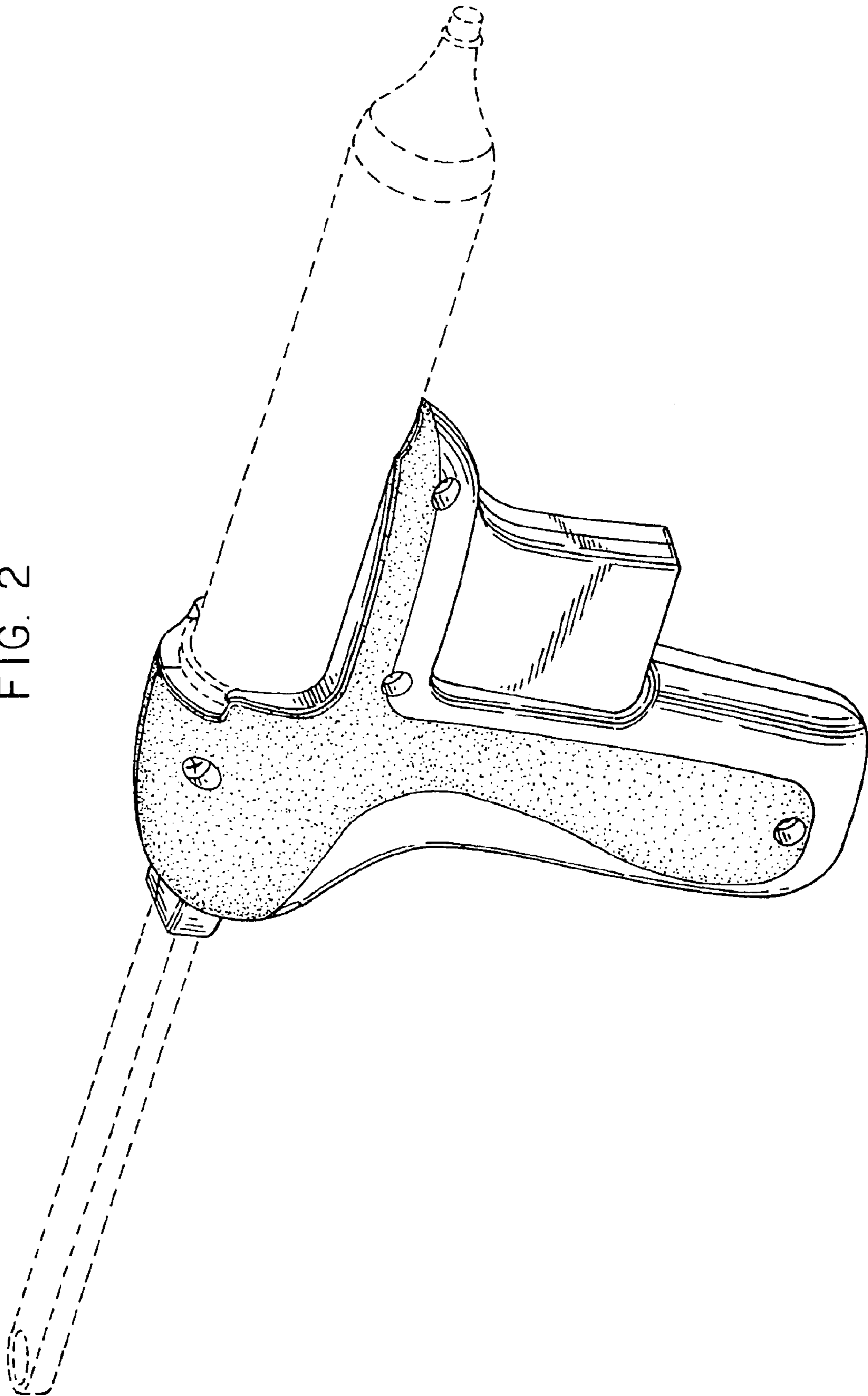


FIG. 4

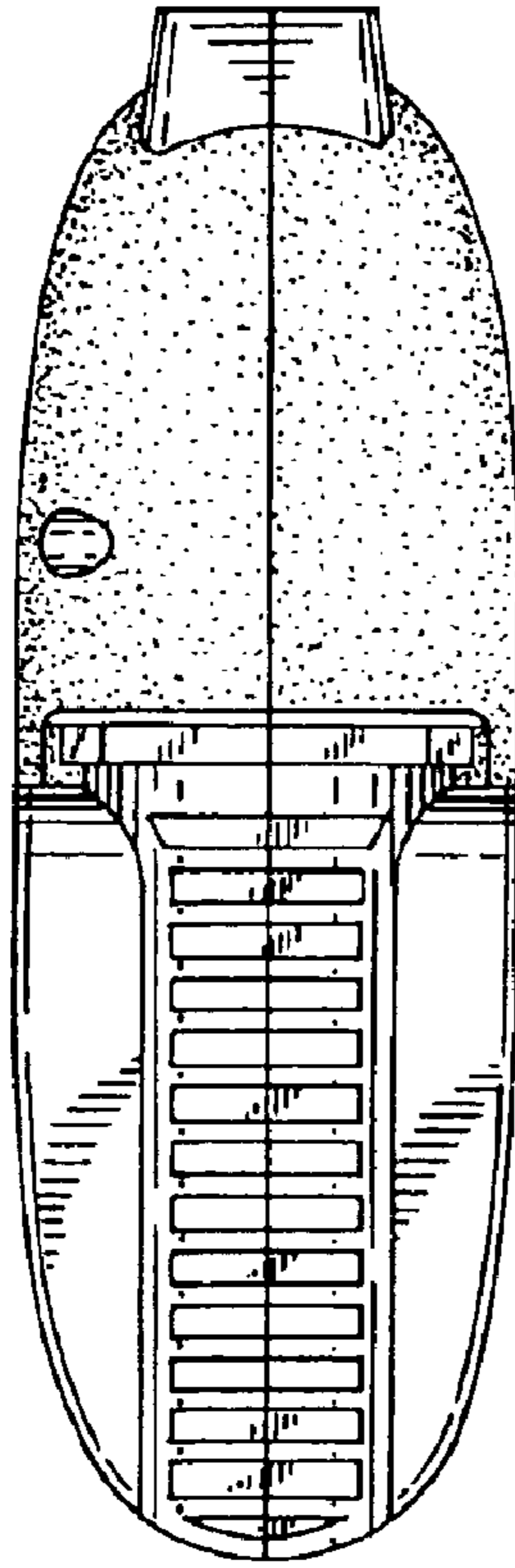


FIG. 5

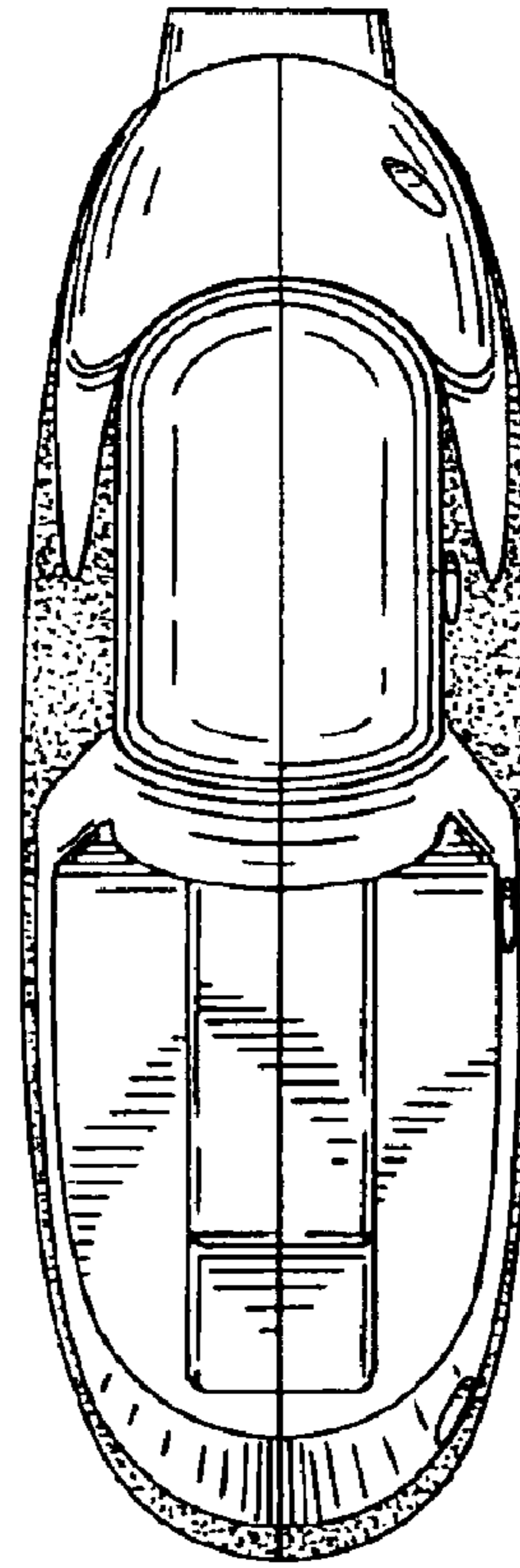


FIG. 3

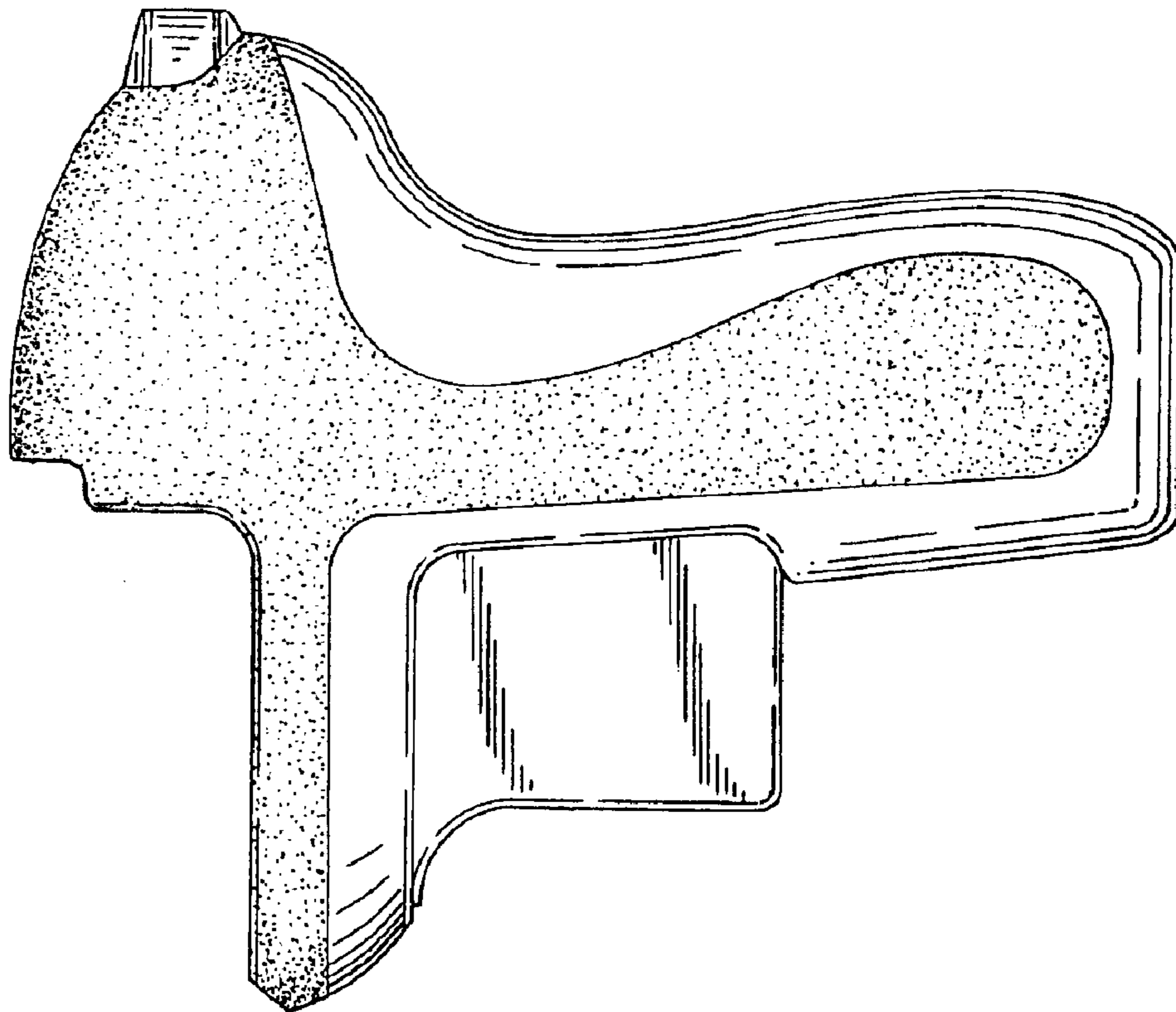


FIG. 6

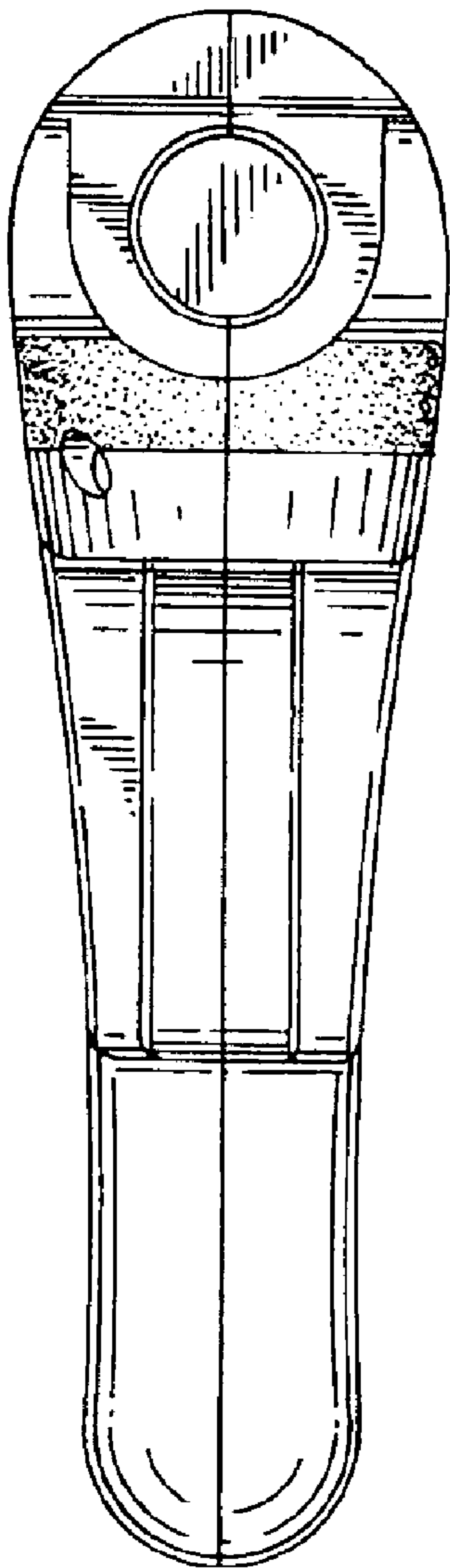
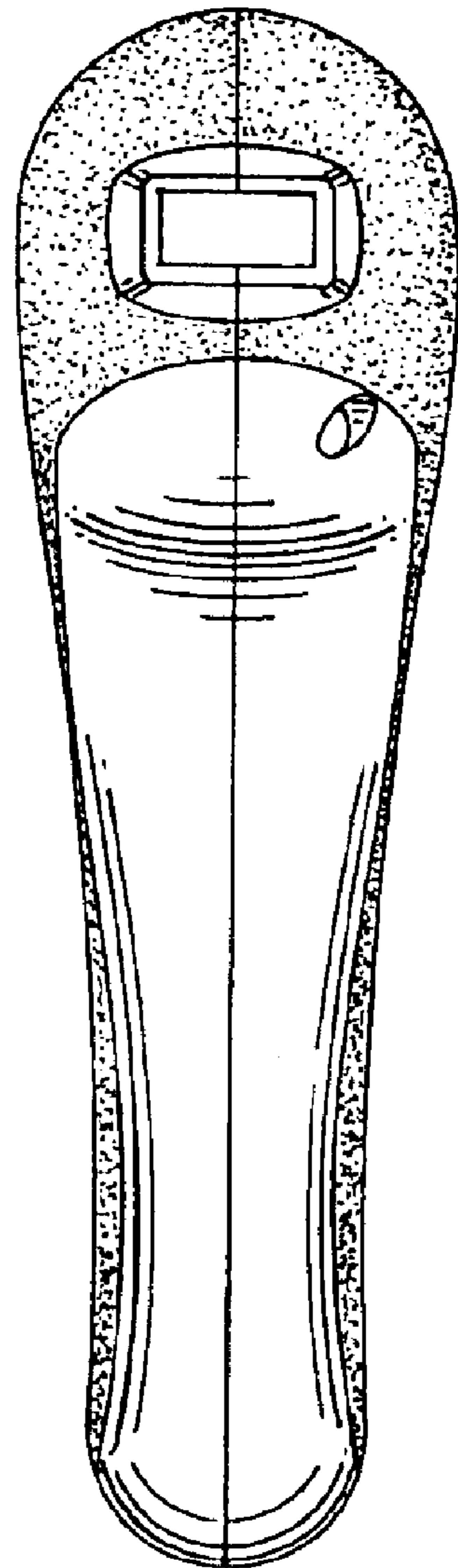


FIG. 7



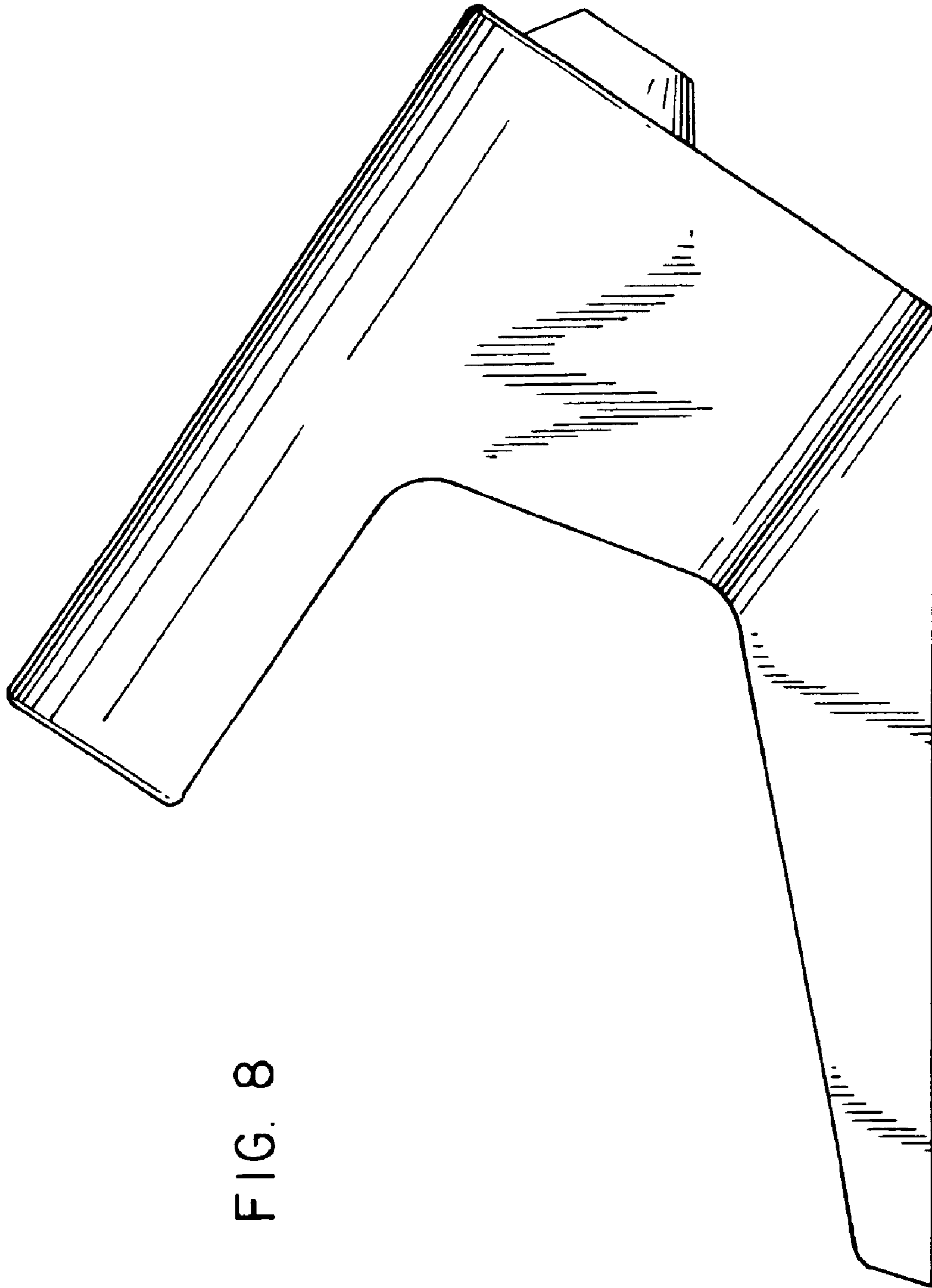


FIG. 8

FIG. 9

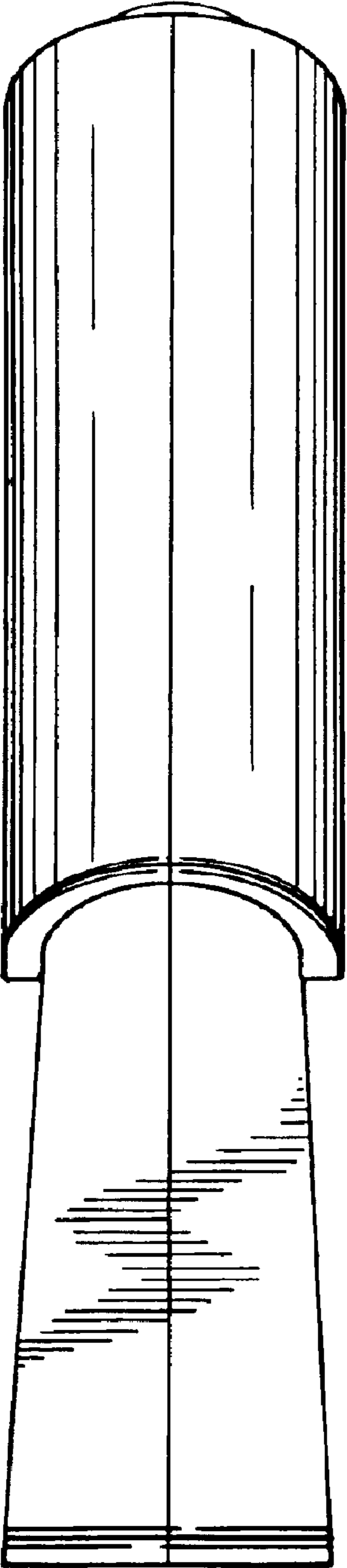


FIG. 10

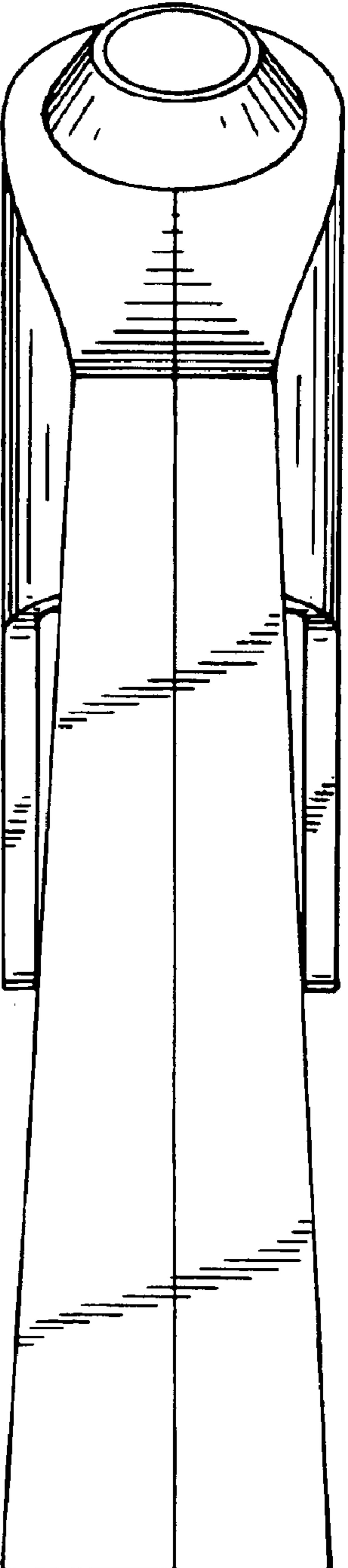


FIG. 11

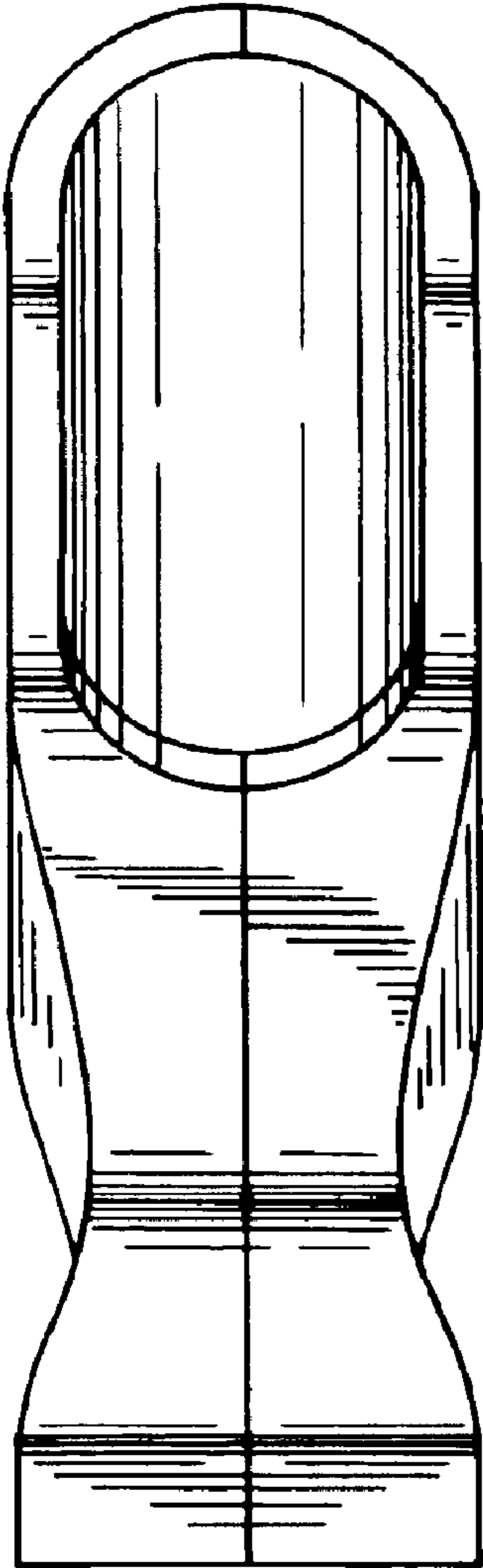


FIG. 12

