



US00D517876S

(12) **United States Design Patent**
DeWinter et al.

(10) **Patent No.:** **US D517,876 S**
(45) **Date of Patent:** **** Mar. 28, 2006**

(54) **BOW RAKE**

D474,948 S * 5/2003 Crites D8/13
D479,446 S * 9/2003 Miller D8/13

(75) Inventors: **David S. DeWinter**, Luther, MI (US);
Brian J. Conaway, Columbus, OH
(US); **Terry M. Birchler**, Columbus,
OH (US)

* cited by examiner

Primary Examiner—Holly H. Baynham
(74) *Attorney, Agent, or Firm*—Porter, Wright, Morris &
Arthur, LLP

(73) Assignee: **UnionTools, Inc.**, Columbus, OH (US)

(**) Term: **14 Years**

(57) **CLAIM**

The ornamental design for a bow rake, as shown and
described.

(21) Appl. No.: **29/226,337**

(22) Filed: **Mar. 28, 2005**

DESCRIPTION

Related U.S. Application Data

(63) Continuation-in-part of application No. 29/203,577, filed on
Apr. 16, 2004, which is a continuation-in-part of application
No. 09/813,552, filed on Mar. 21, 2001, now Pat. No.
6,722,115.

FIG. 1 is perspective view of a bow rake showing our new
design;

FIG. 2 is a front view of the bow rake of FIG. 1;

FIG. 3 is a rear view of the bow rake of FIGS. 1 and 2;

FIG. 4 is a left side view of the bow rake of FIGS. 1 to 3,
the right side view being a mirror image;

(51) **LOC (8) Cl.** **08-01**

(52) **U.S. Cl.** **D8/13**

(58) **Field of Classification Search** D8/13;
56/400.01, 400.04, 400.17, 400.21
See application file for complete search history.

FIG. 5 is an enlarged, fragmented view showing a portion
FIG. 2 at a head of the bow rake of FIGS. 1 to 4;

FIG. 6 is an enlarged, fragmented view showing a portion
FIG. 3 at the head of the bow rake of FIGS. 1 to 5;

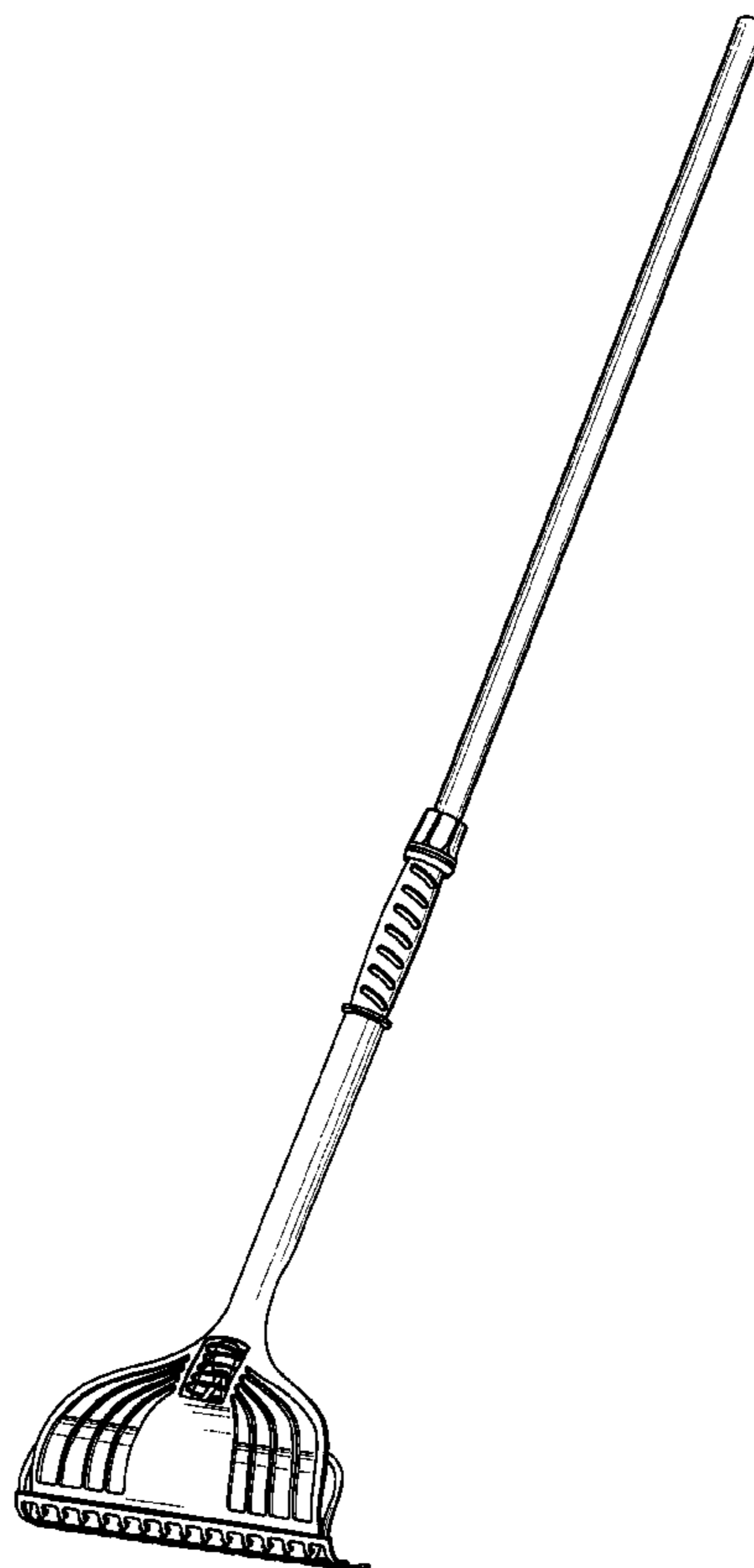
FIG. 7 is a top end view of the bow rake of FIGS. 1 to 6; and,
FIG. 8 is a bottom end view of the bow rake of FIGS. 1 to
7.

(56) **References Cited**

U.S. PATENT DOCUMENTS

D426,437 S * 6/2000 Parker D8/13

1 Claim, 5 Drawing Sheets



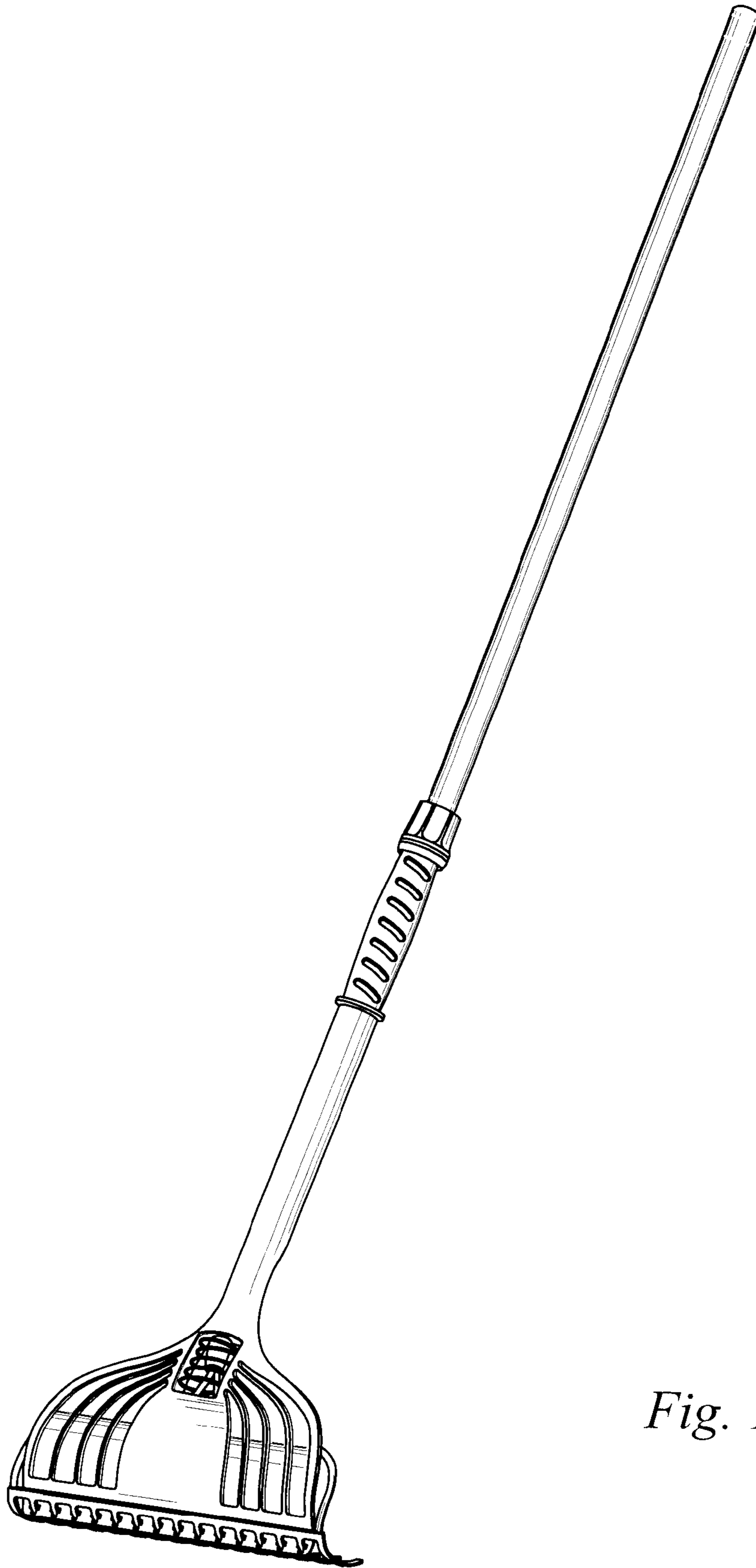


Fig. 1

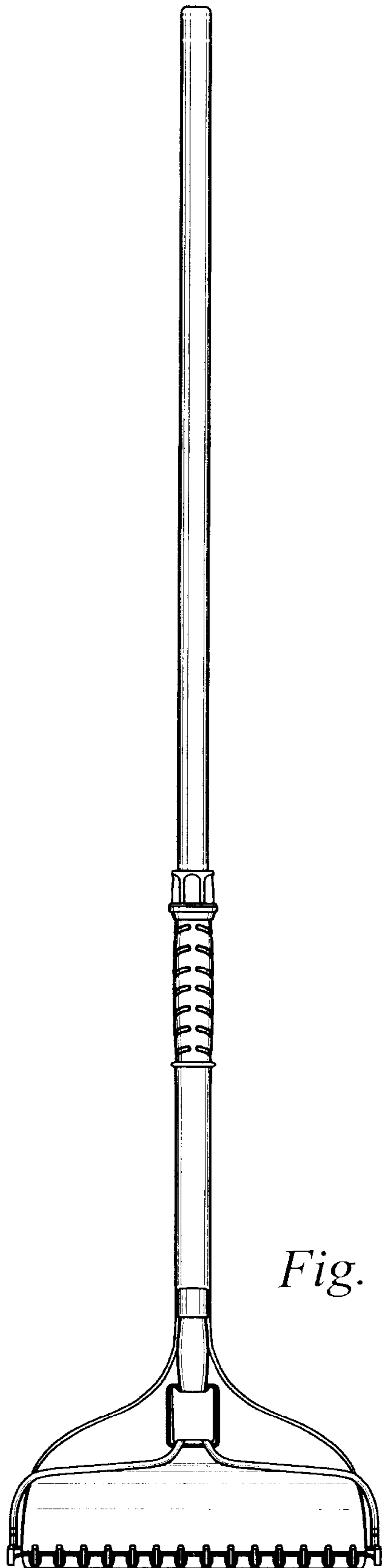


Fig. 3

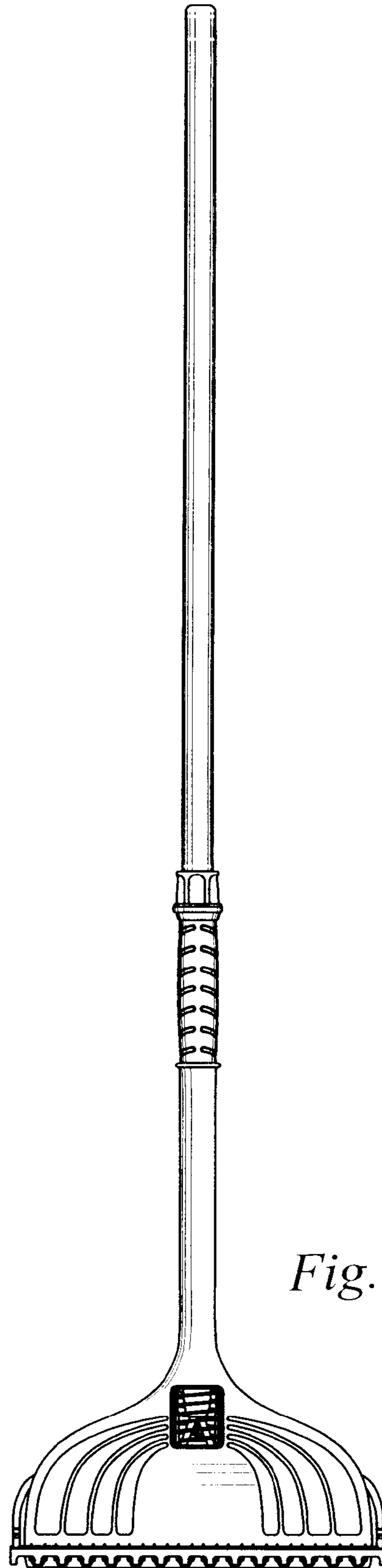


Fig. 2

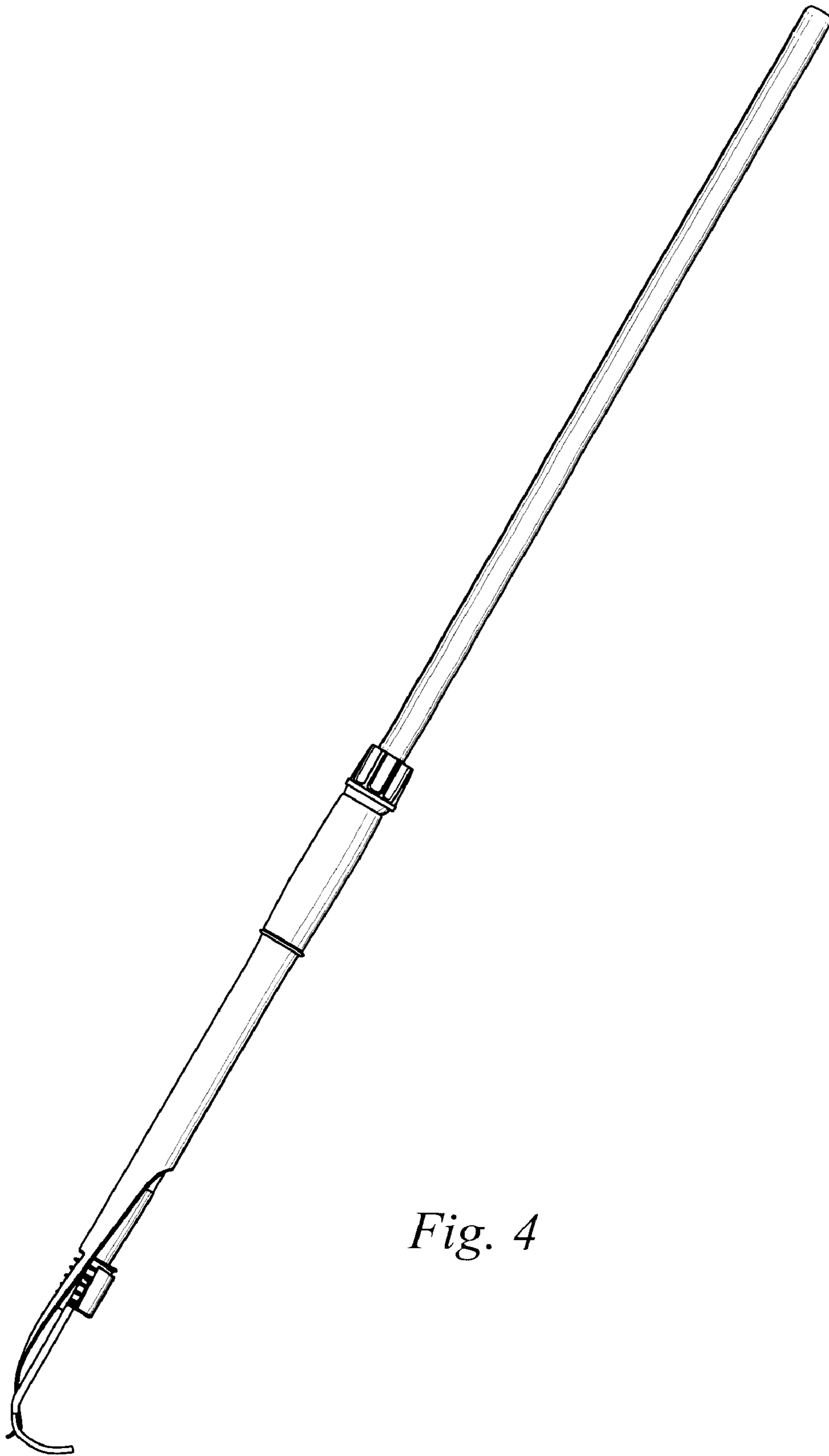


Fig. 4

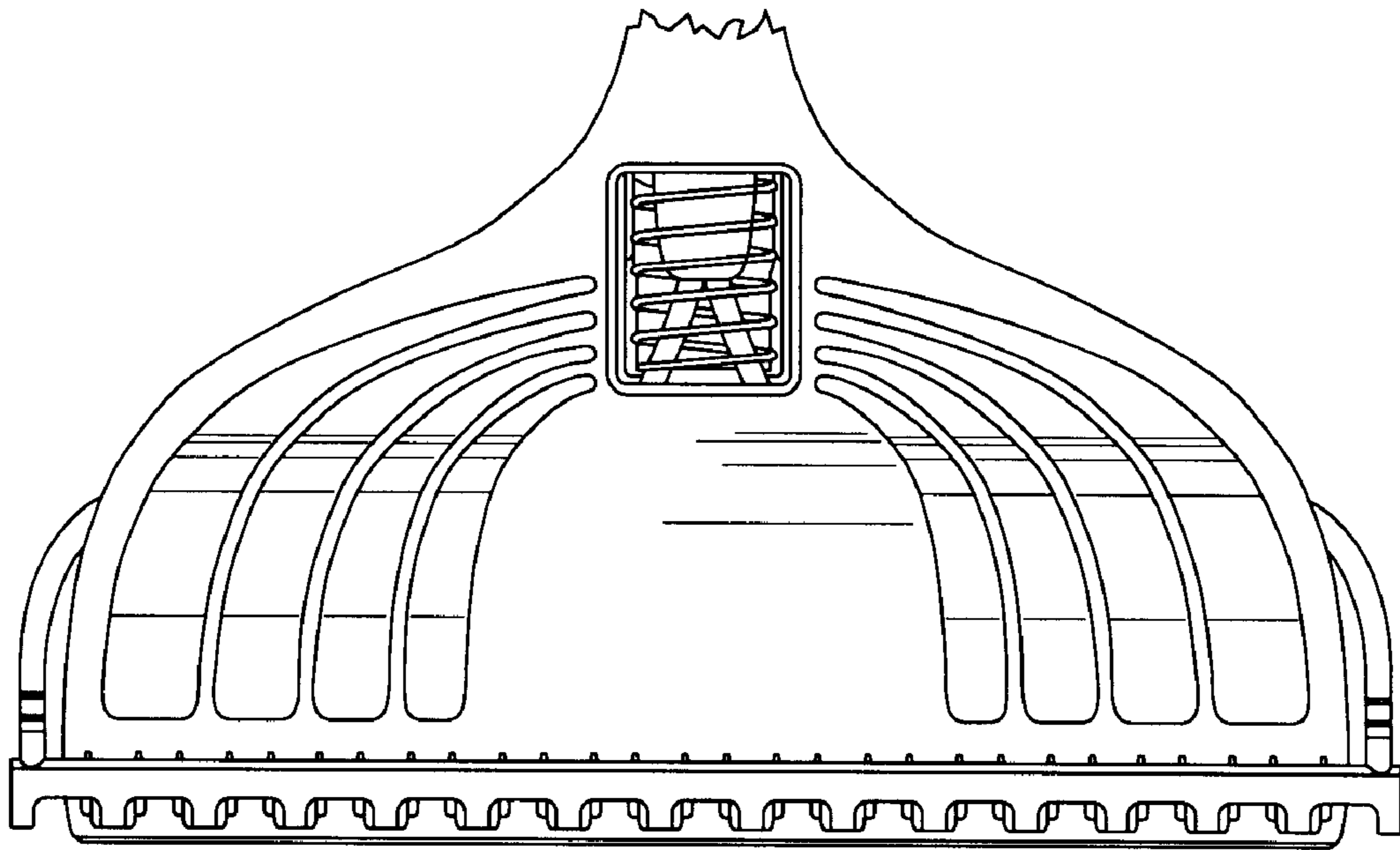


Fig. 5

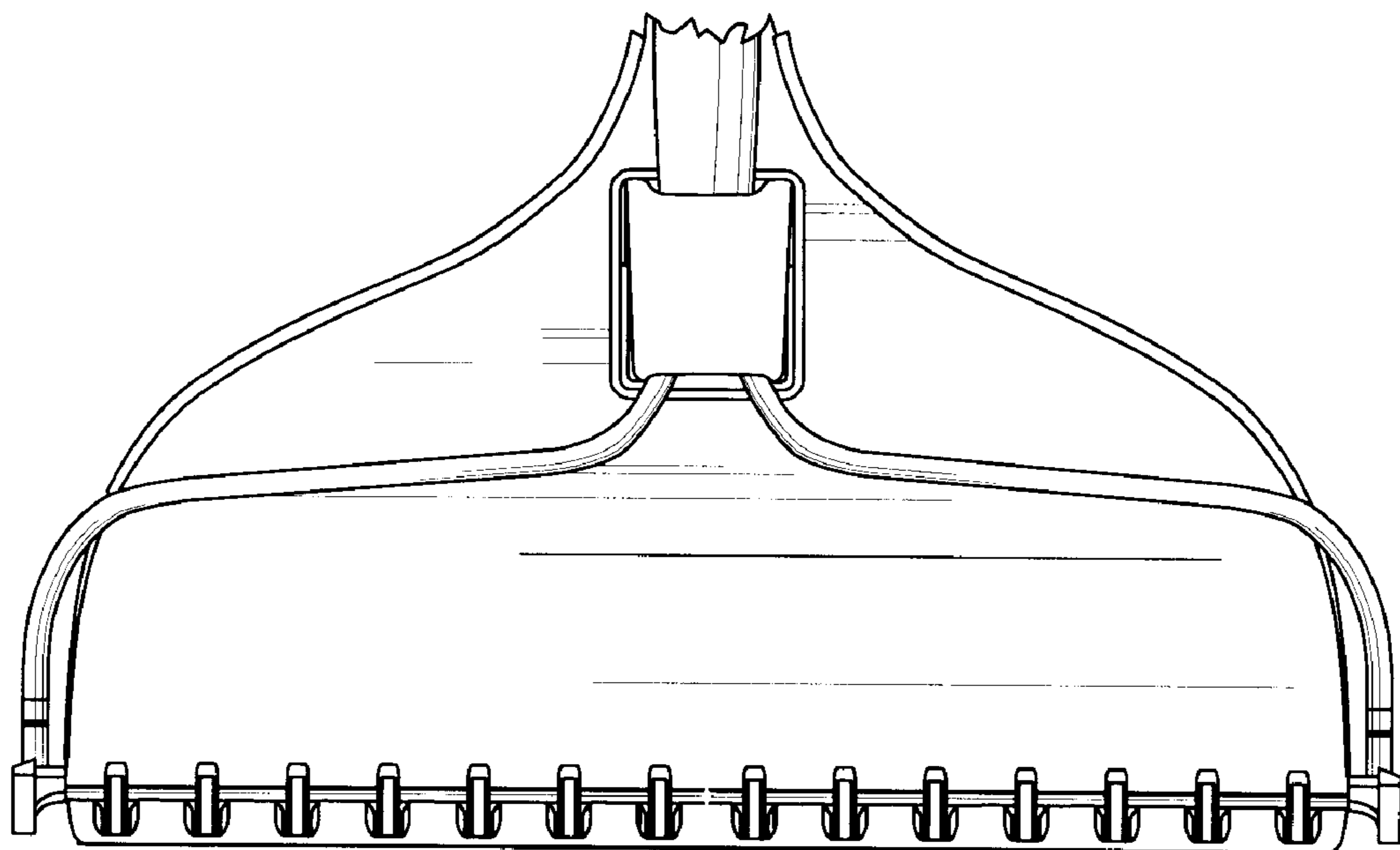


Fig. 6

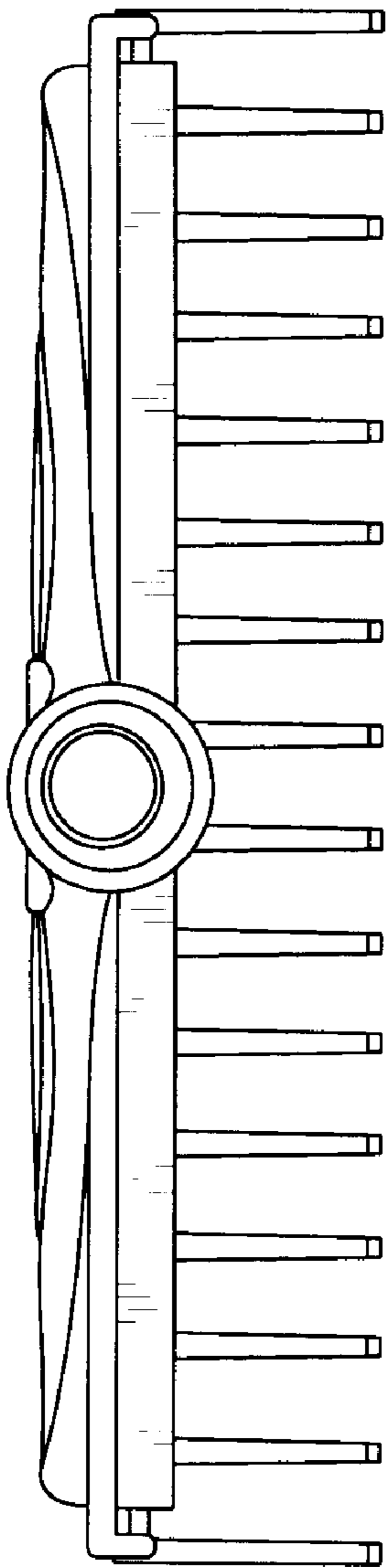


Fig. 7

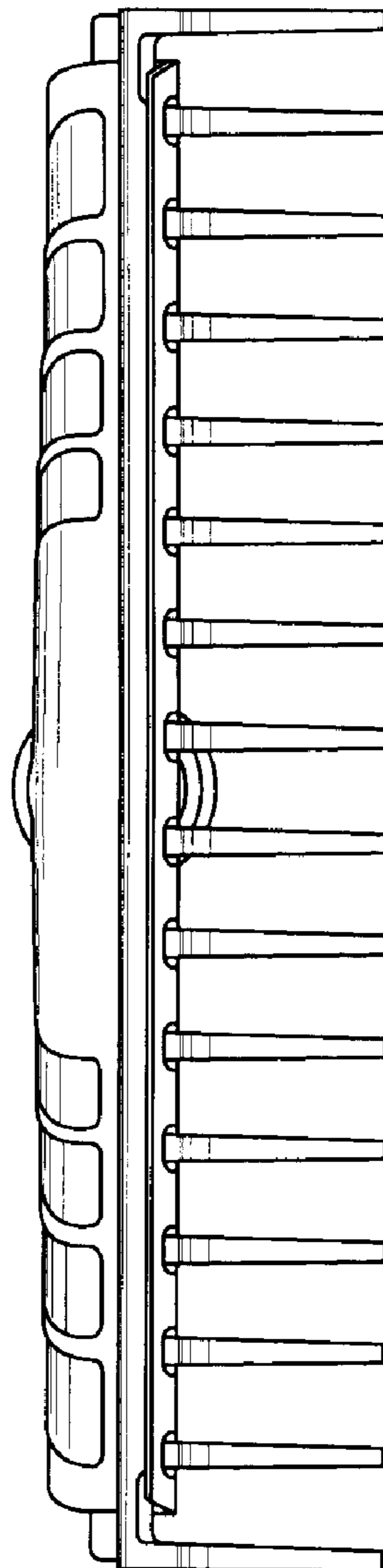


Fig. 8