

US00D517873S

(12) **United States Design Patent**  
**So**

(10) **Patent No.:** **US D517,873 S**

(45) **Date of Patent:** **\*\* Mar. 28, 2006**

(54) **FOOD GRATER**

(76) **Inventor:** **Kwok Kuen So**, 2<sup>nd</sup> Floor, Chuan Yuan  
Factory Building, 342-344 Kwun Tong  
Road, Kwun Tong, Kowloon, Hong  
Kong SAR (CN)

(\*\*) **Term:** **14 Years**

(21) **Appl. No.:** **29/226,911**

(22) **Filed:** **Apr. 4, 2005**

(30) **Foreign Application Priority Data**

Oct. 22, 2004 (EM) ..... 000243134

(51) **LOC (8) Cl.** ..... **07-04**

(52) **U.S. Cl.** ..... **D7/678**

(58) **Field of Classification Search** ..... D7/678,  
D7/372, 373, 381; 99/495, 508-513; 241/92-95,  
241/168, 169, 169.1, 273.1-273.4, 280  
See application file for complete search history.

(56) **References Cited**

**U.S. PATENT DOCUMENTS**

D235,501 S \* 6/1975 Mantelet ..... D7/678

D276,202 S \* 11/1984 Shun ..... D7/678  
D395,380 S \* 6/1998 Arita et al. .... D7/678  
5,803,378 A \* 9/1998 Wolters ..... 241/93  
D409,453 S \* 5/1999 Blaise ..... D7/678

\* cited by examiner

*Primary Examiner*—Terry A. Wallace  
(74) *Attorney, Agent, or Firm*—Alix, Yale & Ristas, LLP

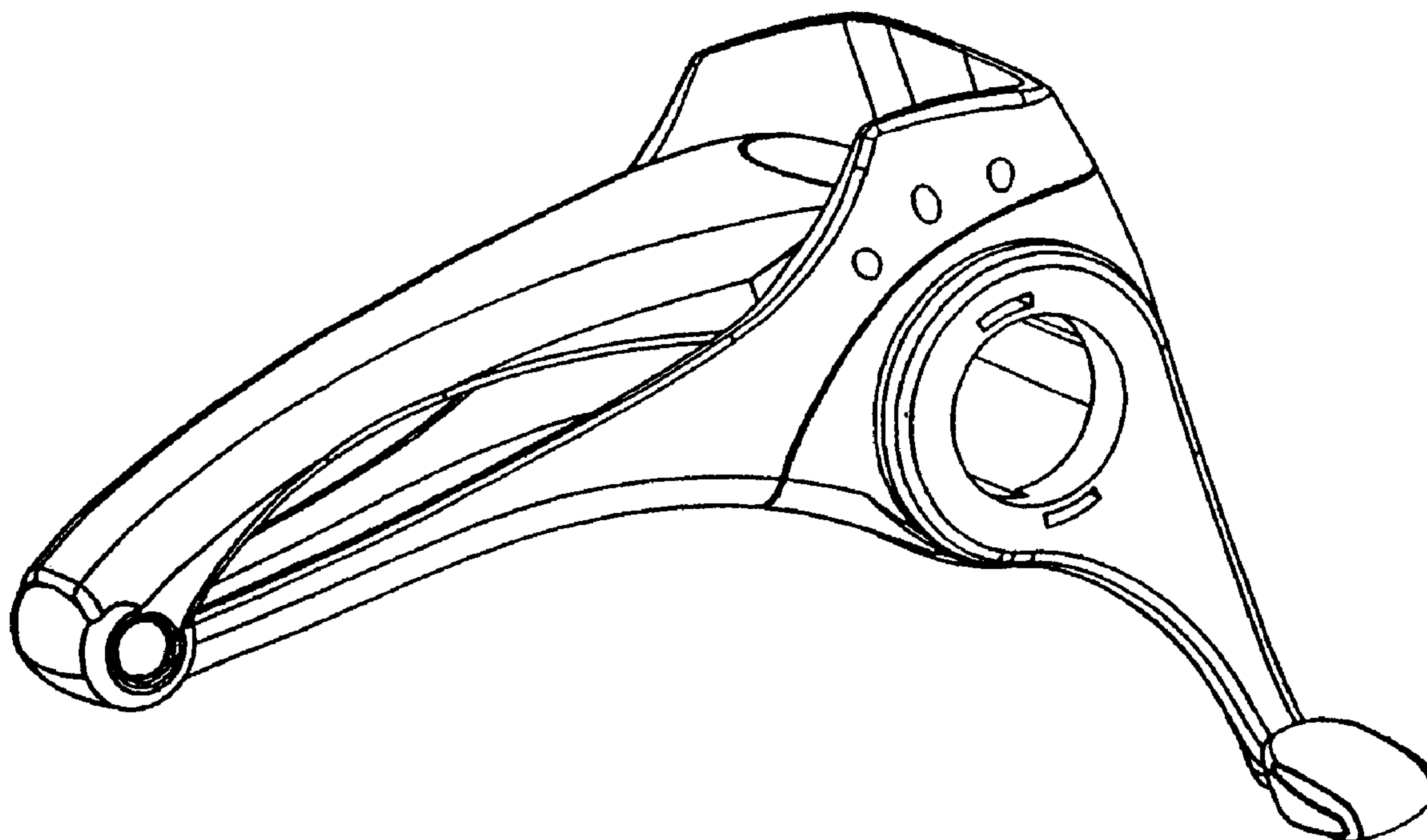
(57) **CLAIM**

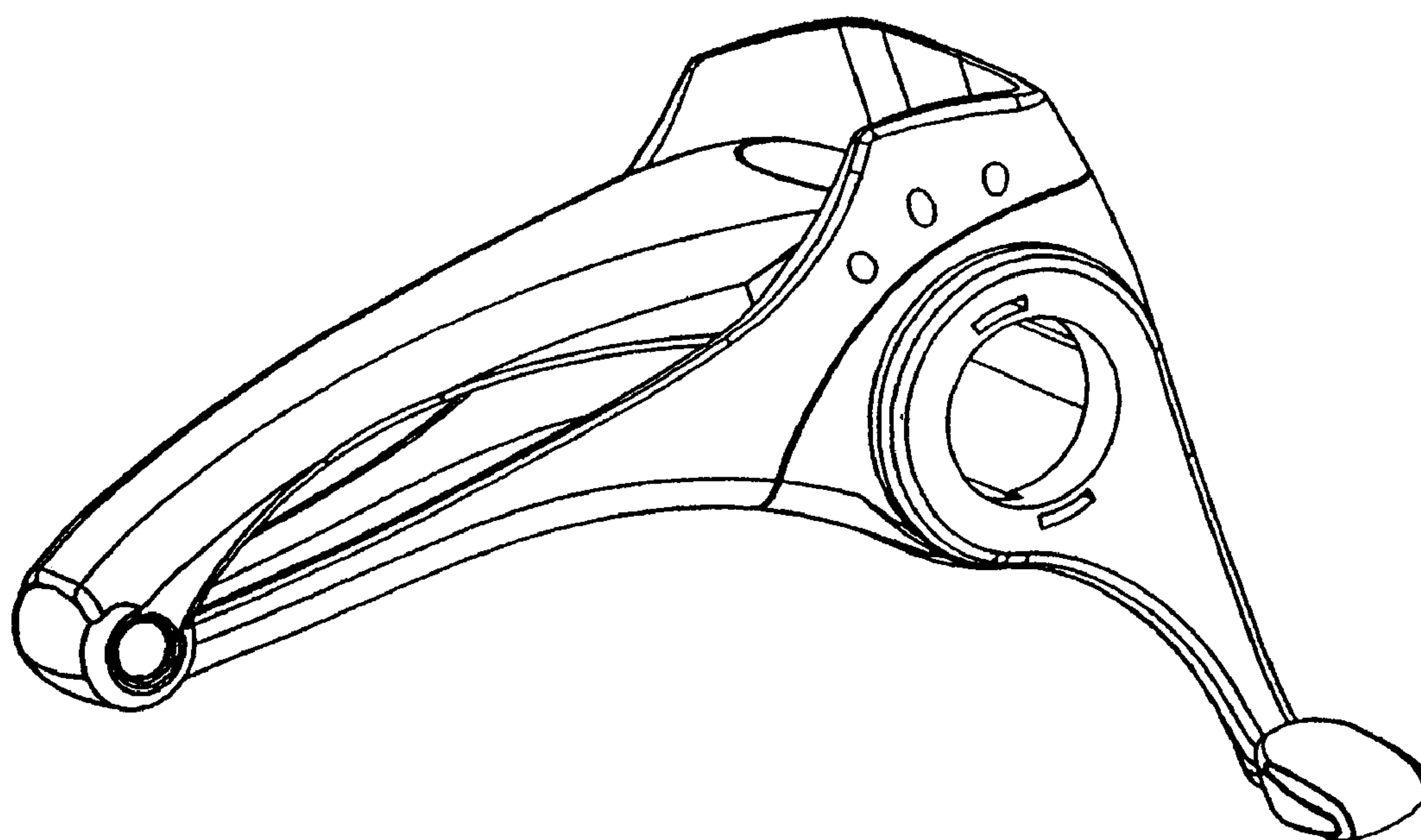
The ornamental design for a food grater, as shown and described.

**DESCRIPTION**

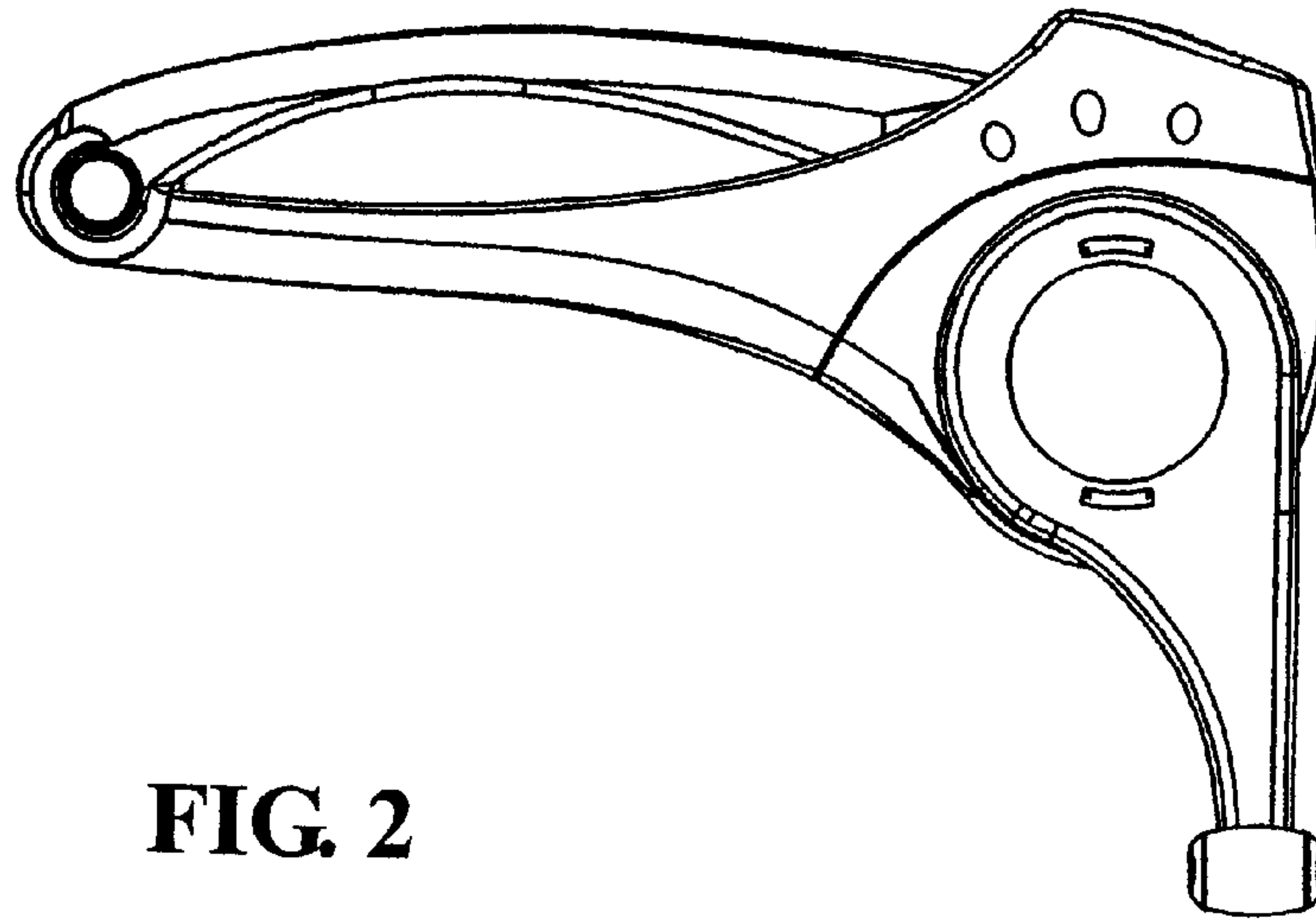
FIG. 1 is a front end, right side and top perspective view of a food grater showing my new design;  
FIG. 2 is a right side elevation view thereof;  
FIG. 3 is a left side elevational view thereof;  
FIG. 4 is a front end elevational view thereof;  
FIG. 5 is a rear end elevational view thereof;  
FIG. 6 is a top plan view thereof; and,  
FIG. 7 is a bottom plan view thereof.

**1 Claim, 4 Drawing Sheets**

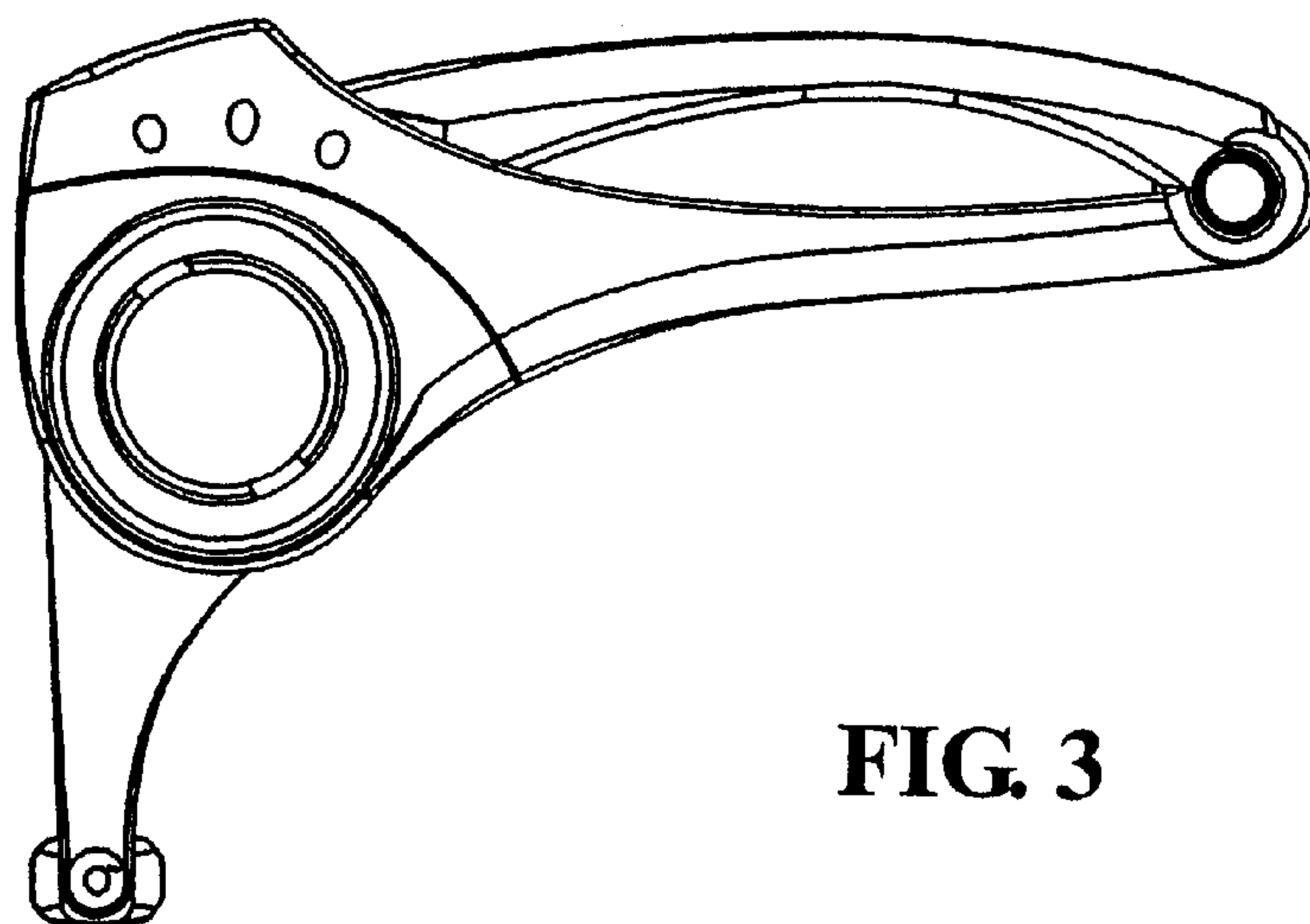




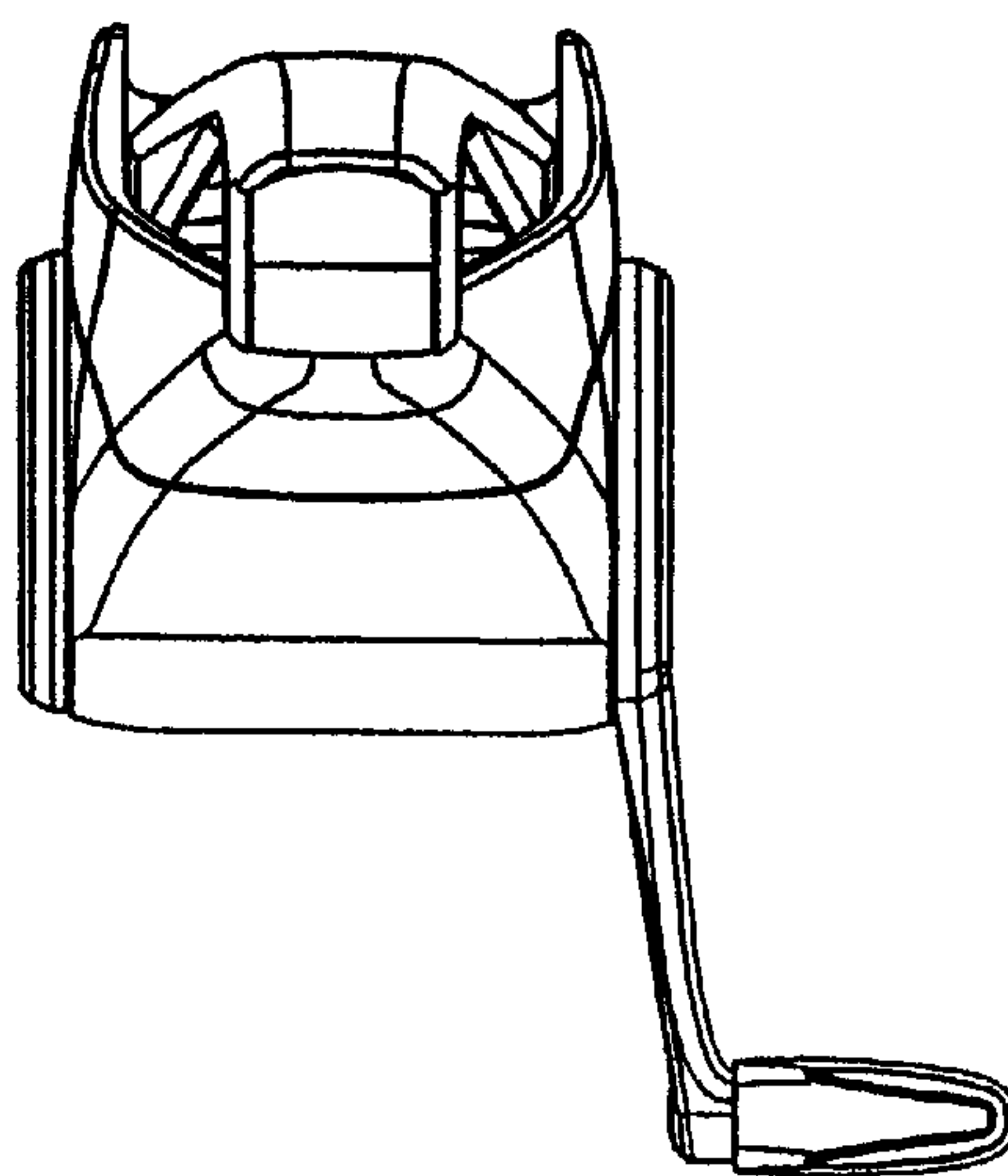
**FIG. 1**



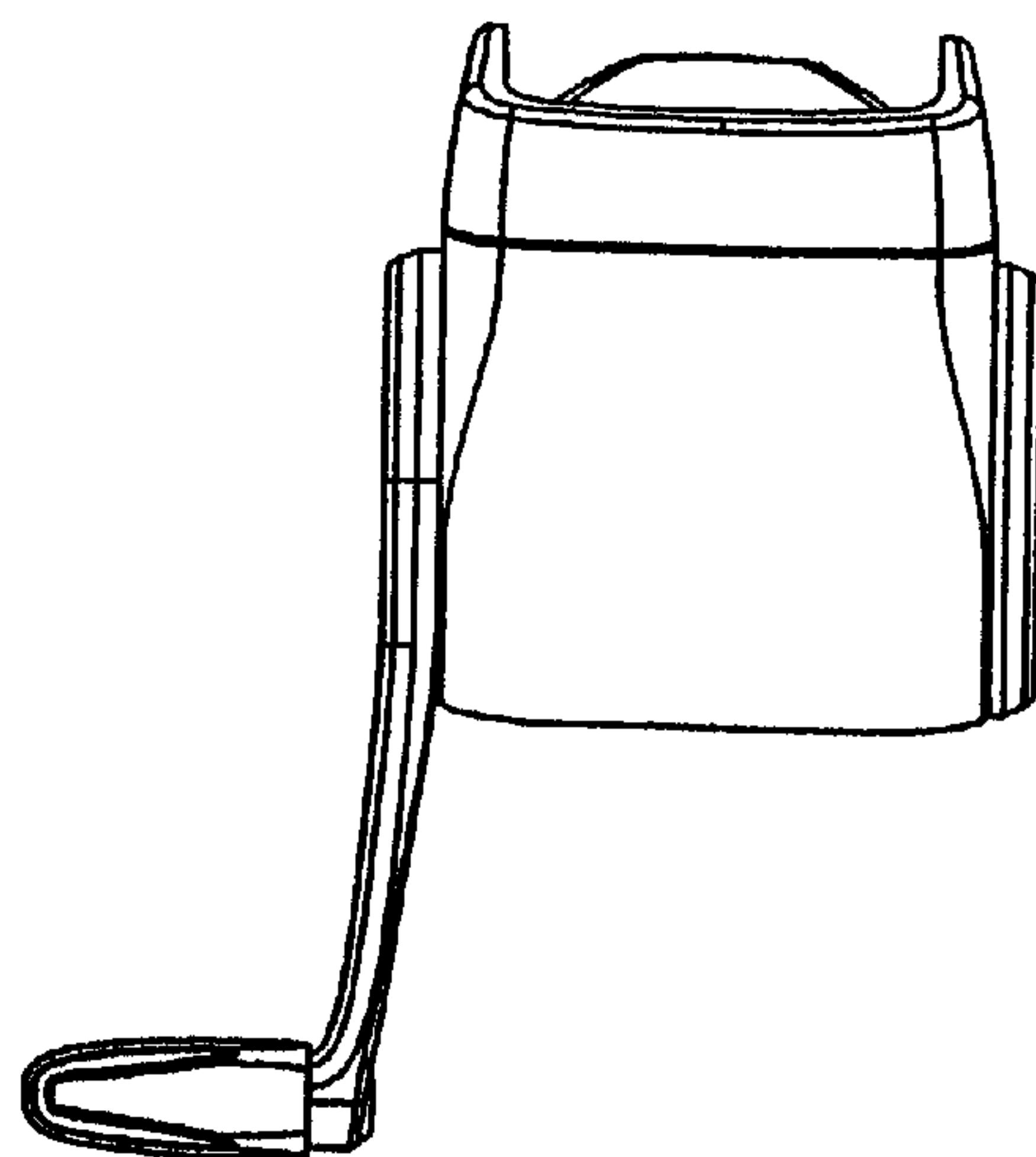
**FIG. 2**



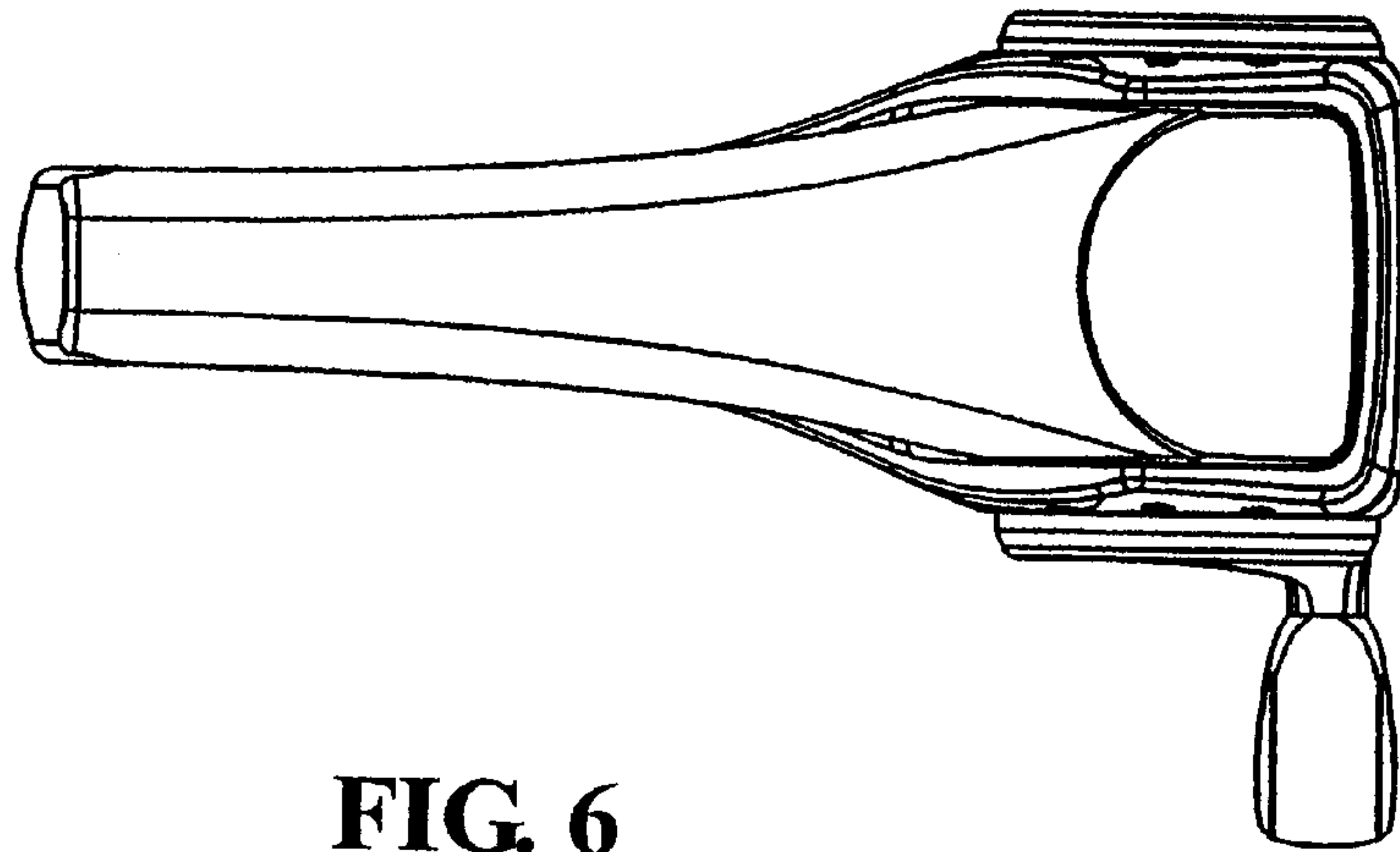
**FIG. 3**



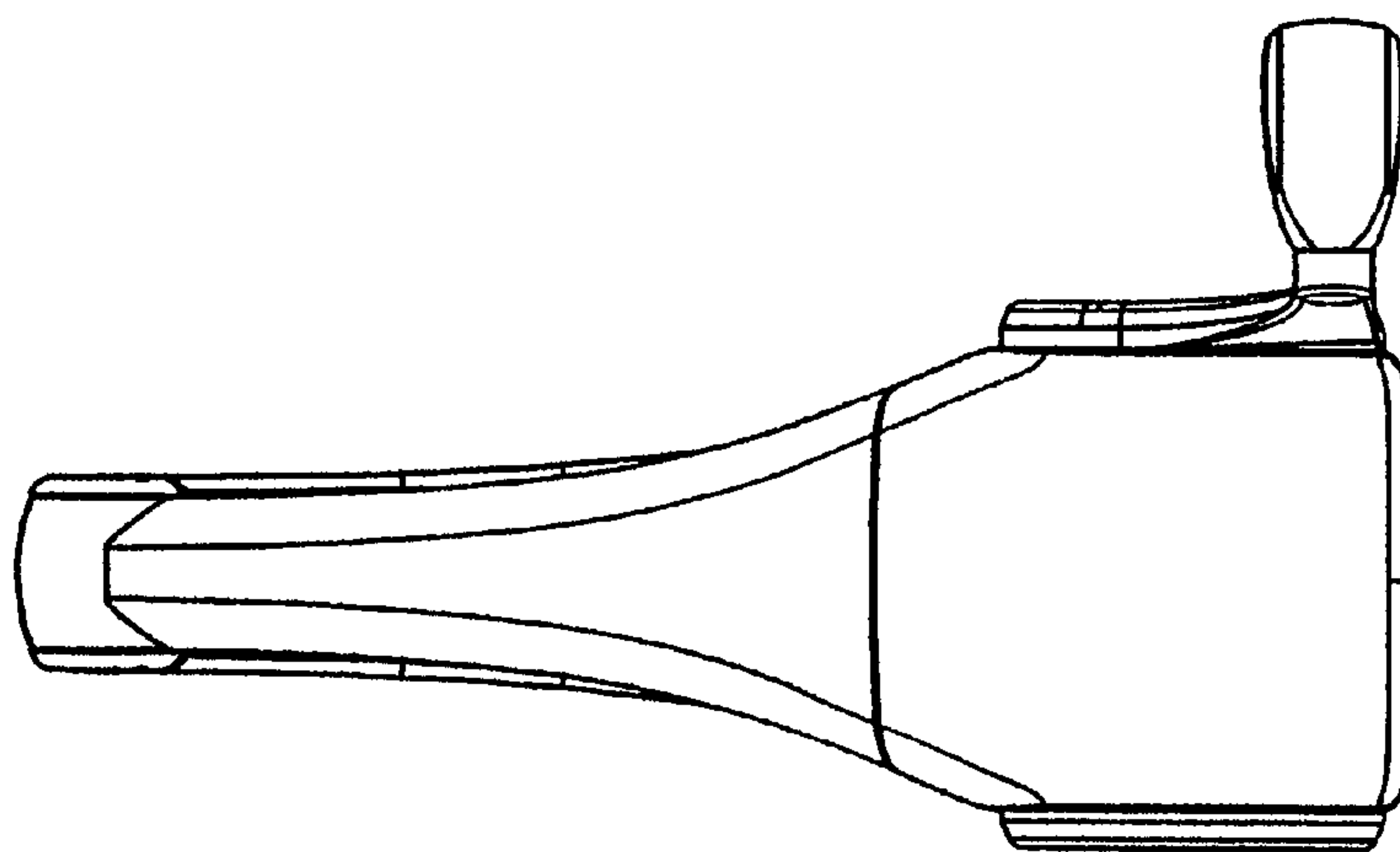
**FIG. 4**



**FIG. 5**



**FIG. 6**



**FIG. 7**