



US00D517872S

(12) **United States Design Patent**
So

(10) **Patent No.:** **US D517,872 S**

(45) **Date of Patent:** **** Mar. 28, 2006**

(54) **FOOD MILL**

(76) **Inventor:** **Kwok Kuen So**, 2nd Floor, Chuan Yuan
Factory Building, 342-344 Kwun Tong
Road, Kwun Tong, Kowloon, Kong
Kong SAR, Hong Kong SAR (CN)

(**) **Term:** **14 Years**

(21) **Appl. No.:** **29/226,890**

(22) **Filed:** **Apr. 4, 2005**

(30) **Foreign Application Priority Data**

Oct. 22, 2004 (EM) 000243134

(51) **LOC (8) Cl.** **07-04**

(52) **U.S. Cl.** **D7/678**

(58) **Field of Classification Search** D7/678,
D7/372, 373, 381; 99/495, 508-513; 241/92-95,
241/168, 169, 169.1, 273.1-273.4, 280
See application file for complete search history.

(56) **References Cited**

U.S. PATENT DOCUMENTS

2,604,916 A * 7/1952 Mantelet 241/273.3

D276,202 S * 11/1984 Shun D7/678
D395,380 S * 6/1998 Arita et al. D7/678
5,803,378 A * 9/1998 Wolters 241/93
D409,453 S * 5/1999 Blaise D7/678

* cited by examiner

Primary Examiner—Terry A. Wallace
(74) *Attorney, Agent, or Firm*—Alix, Yale & Ristas, LLP

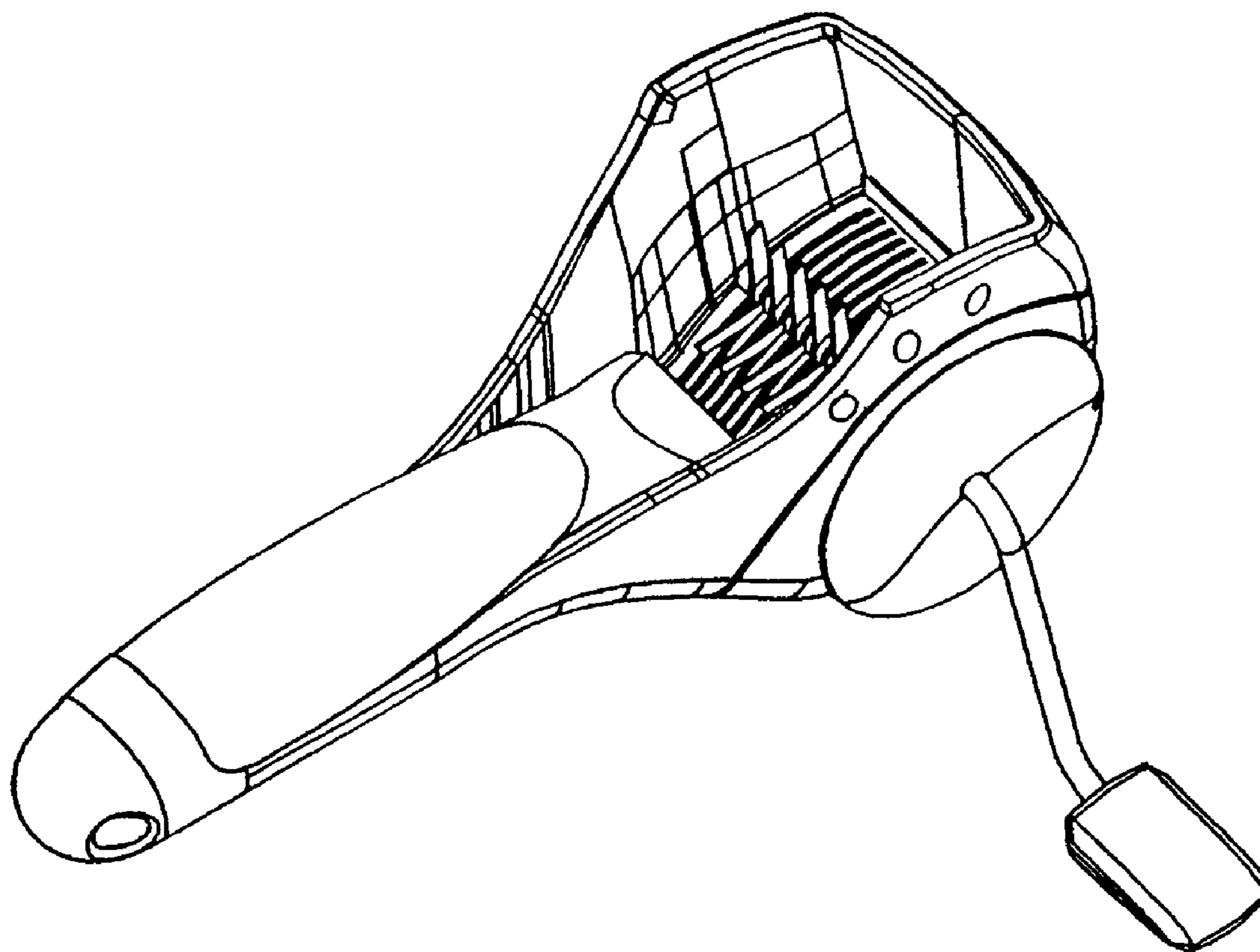
(57) **CLAIM**

The ornamental design for a food mill, as shown and described.

DESCRIPTION

FIG. 1 is a front end, right side and top perspective view of a food mill showing my new design;
FIG. 2 is a right side elevation view thereof;
FIG. 3 is a left side elevational view thereof;
FIG. 4 is a top plan view thereof;
FIG. 5 is a bottom view thereof;
FIG. 6 is a front end view thereof; and,
FIG. 7 is a rear end view thereof.

1 Claim, 4 Drawing Sheets



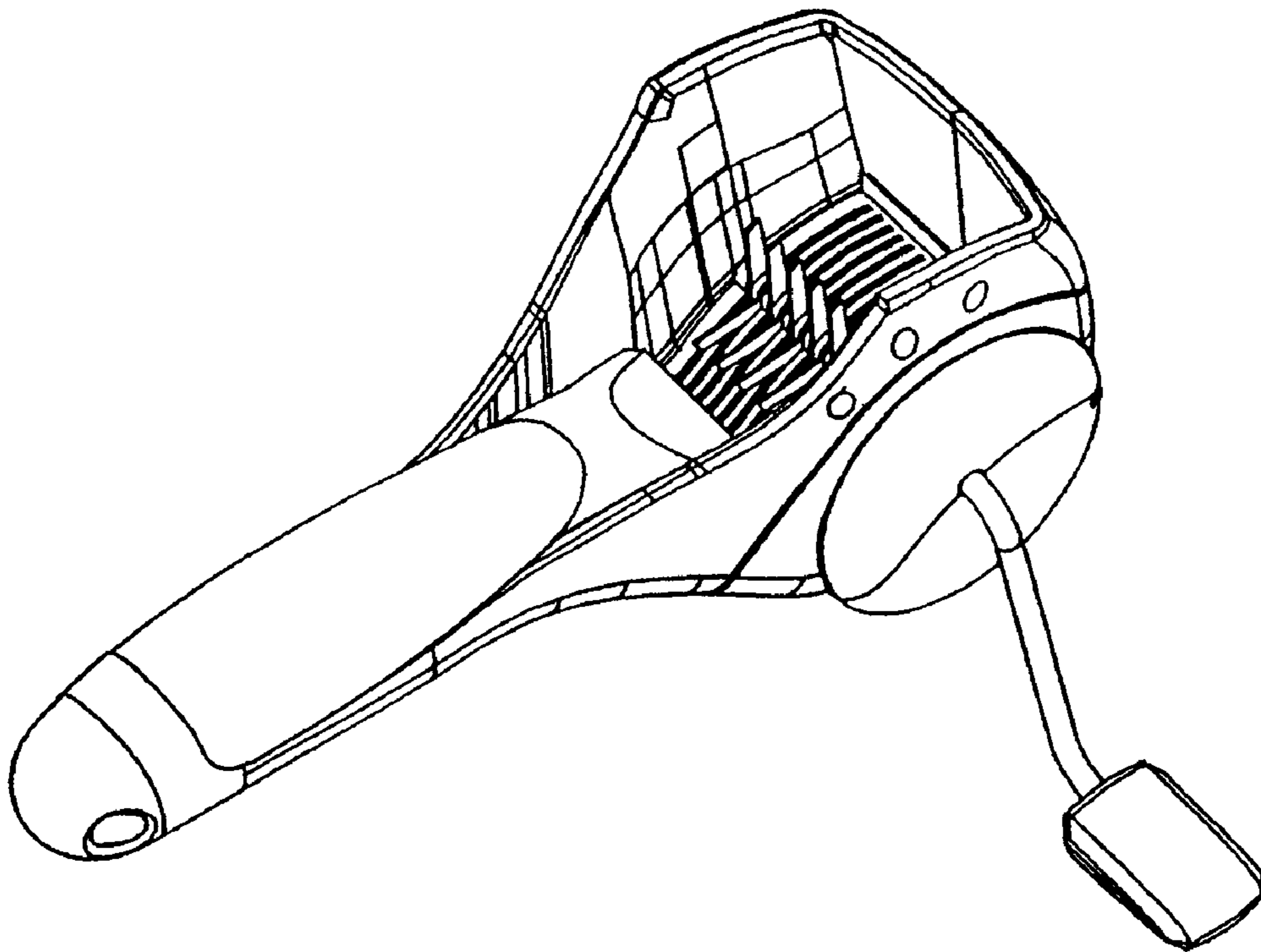


FIG. 1

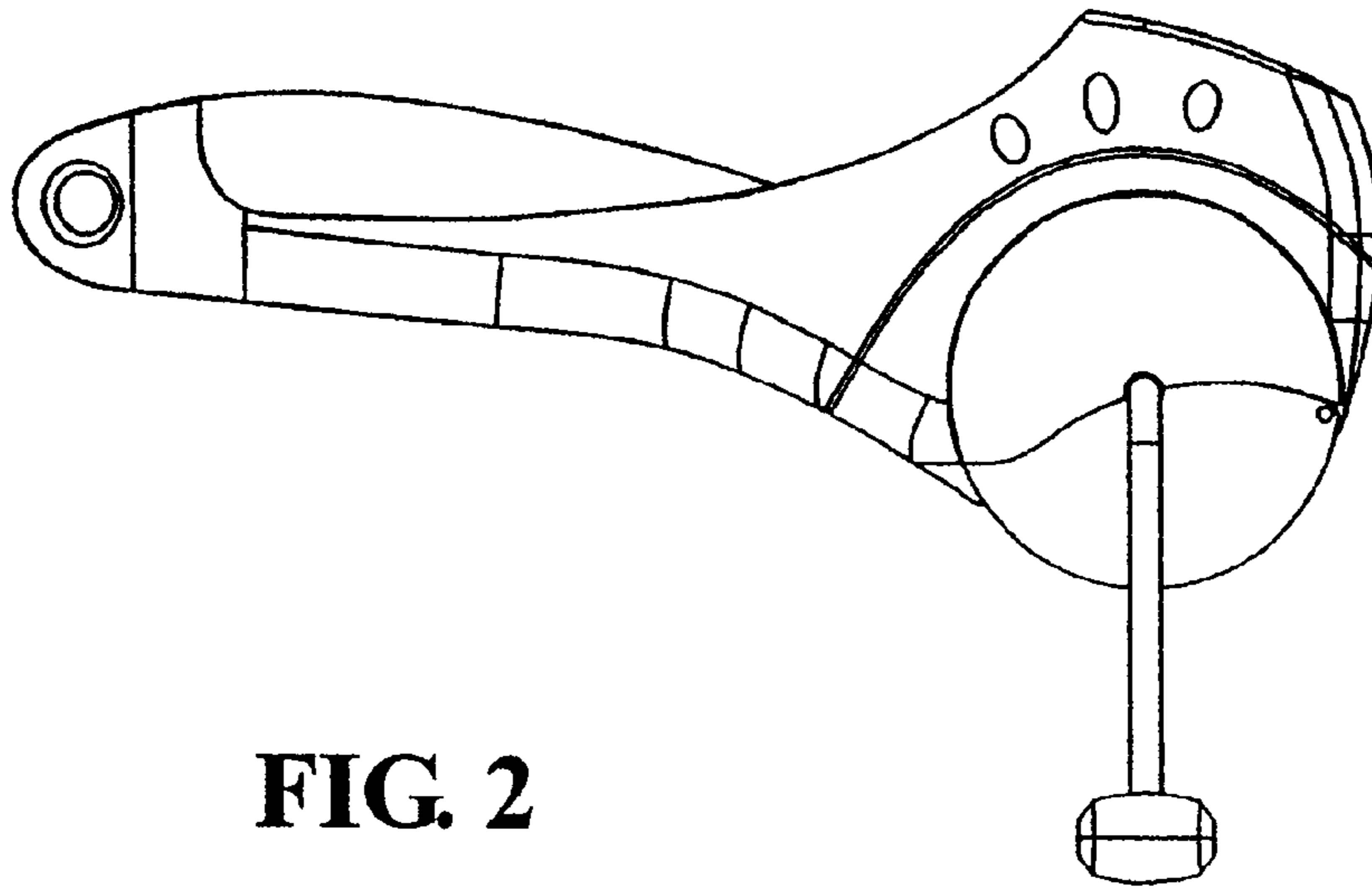


FIG. 2

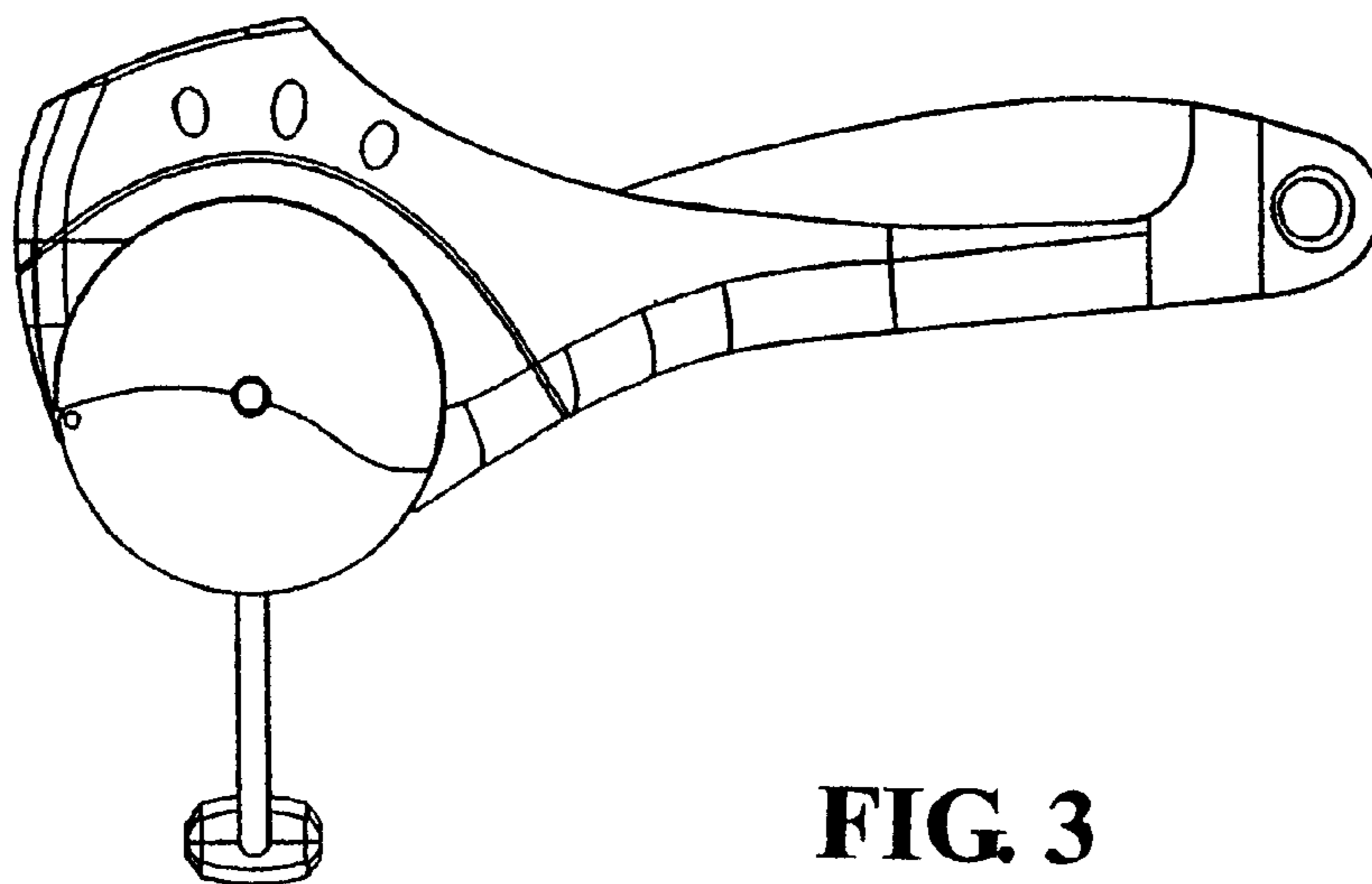


FIG. 3

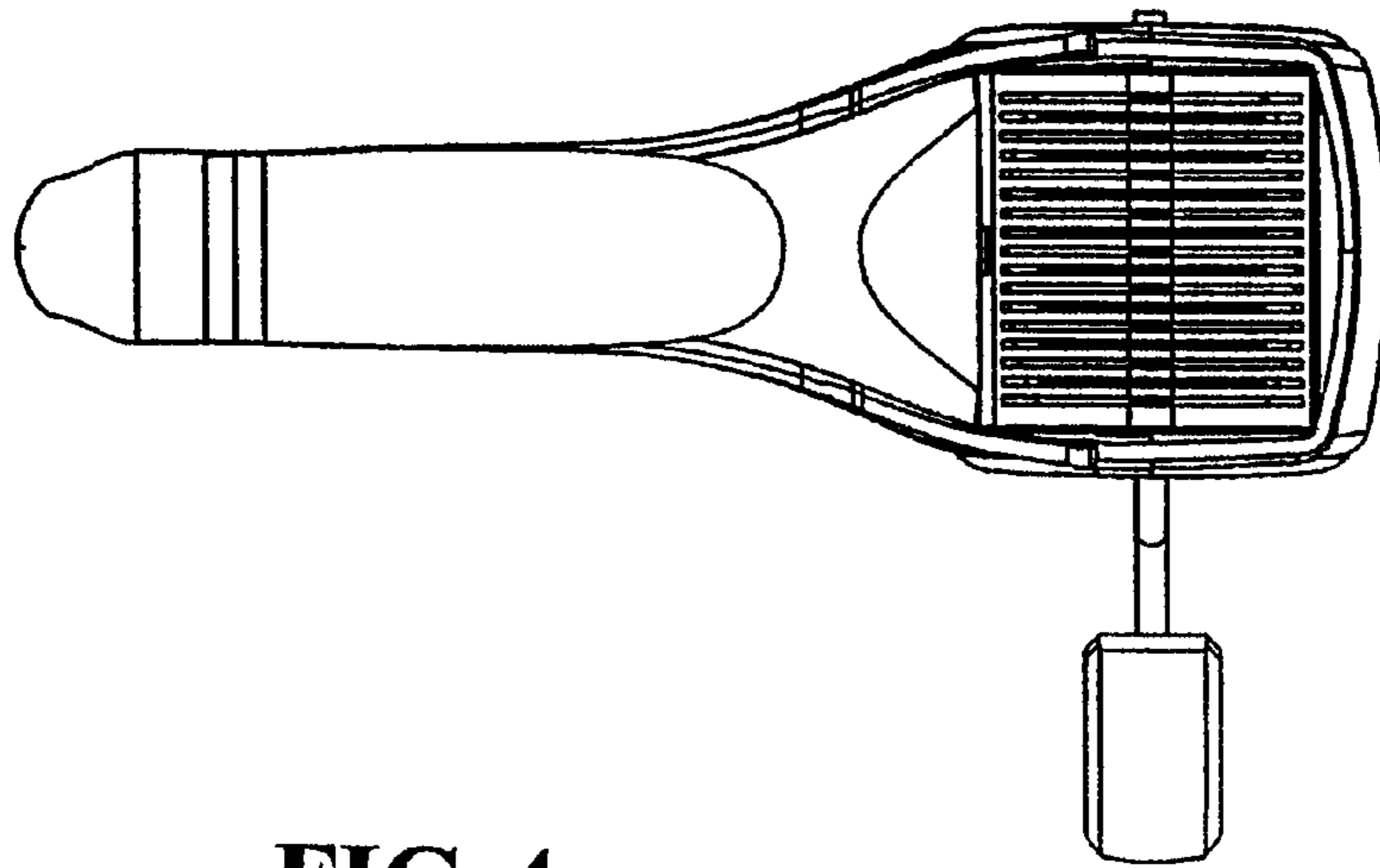


FIG. 4

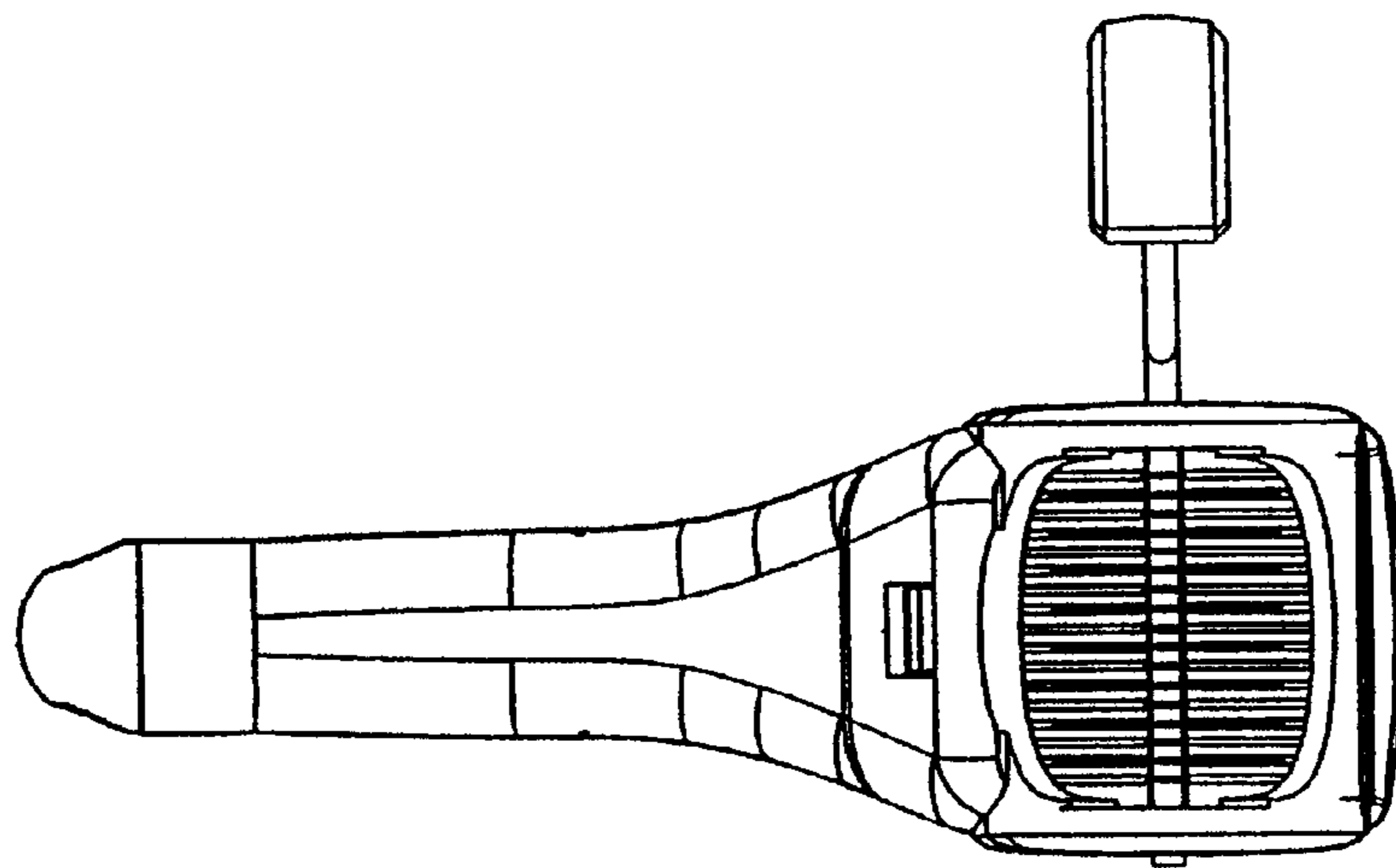


FIG. 5

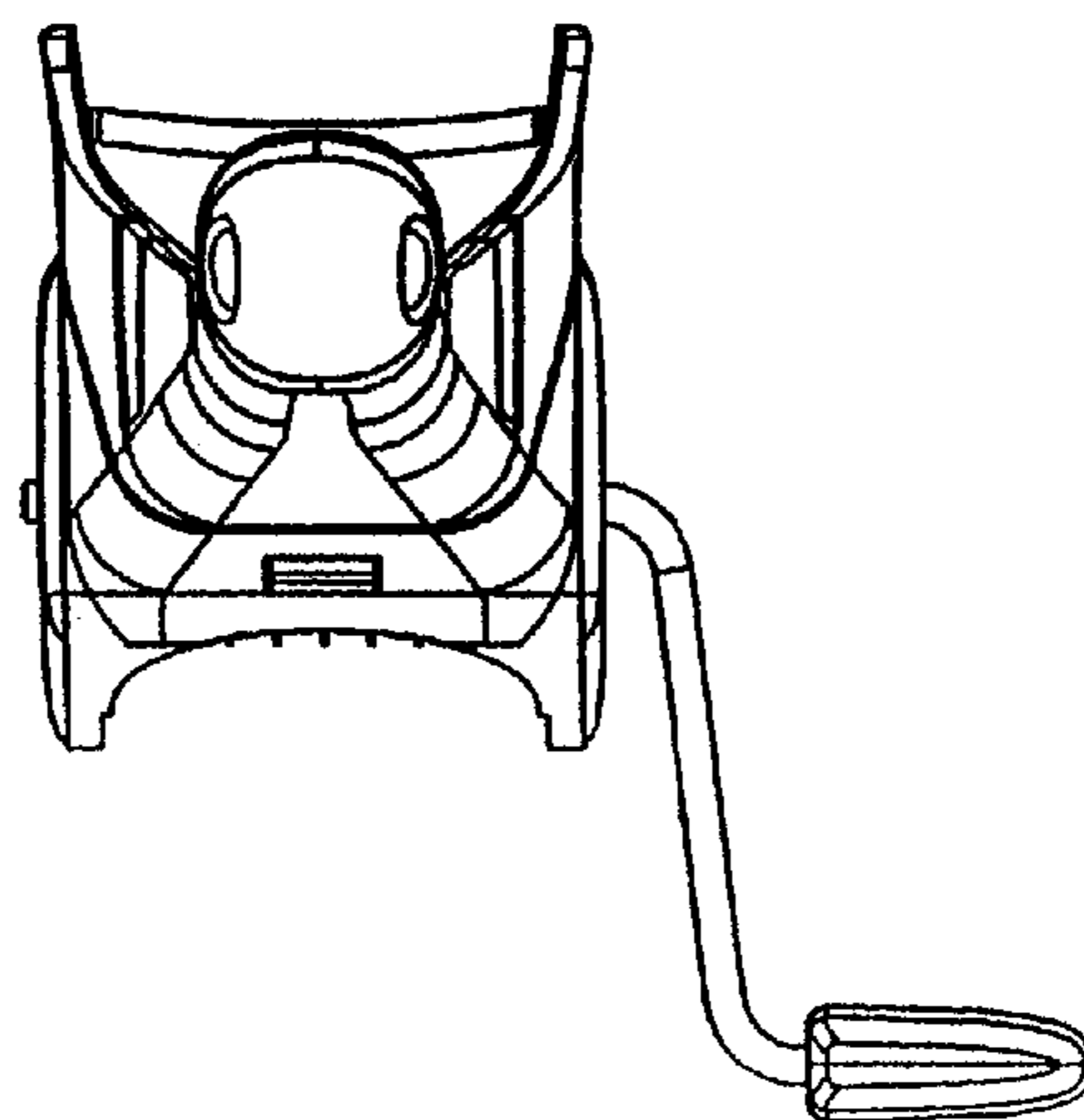


FIG. 6

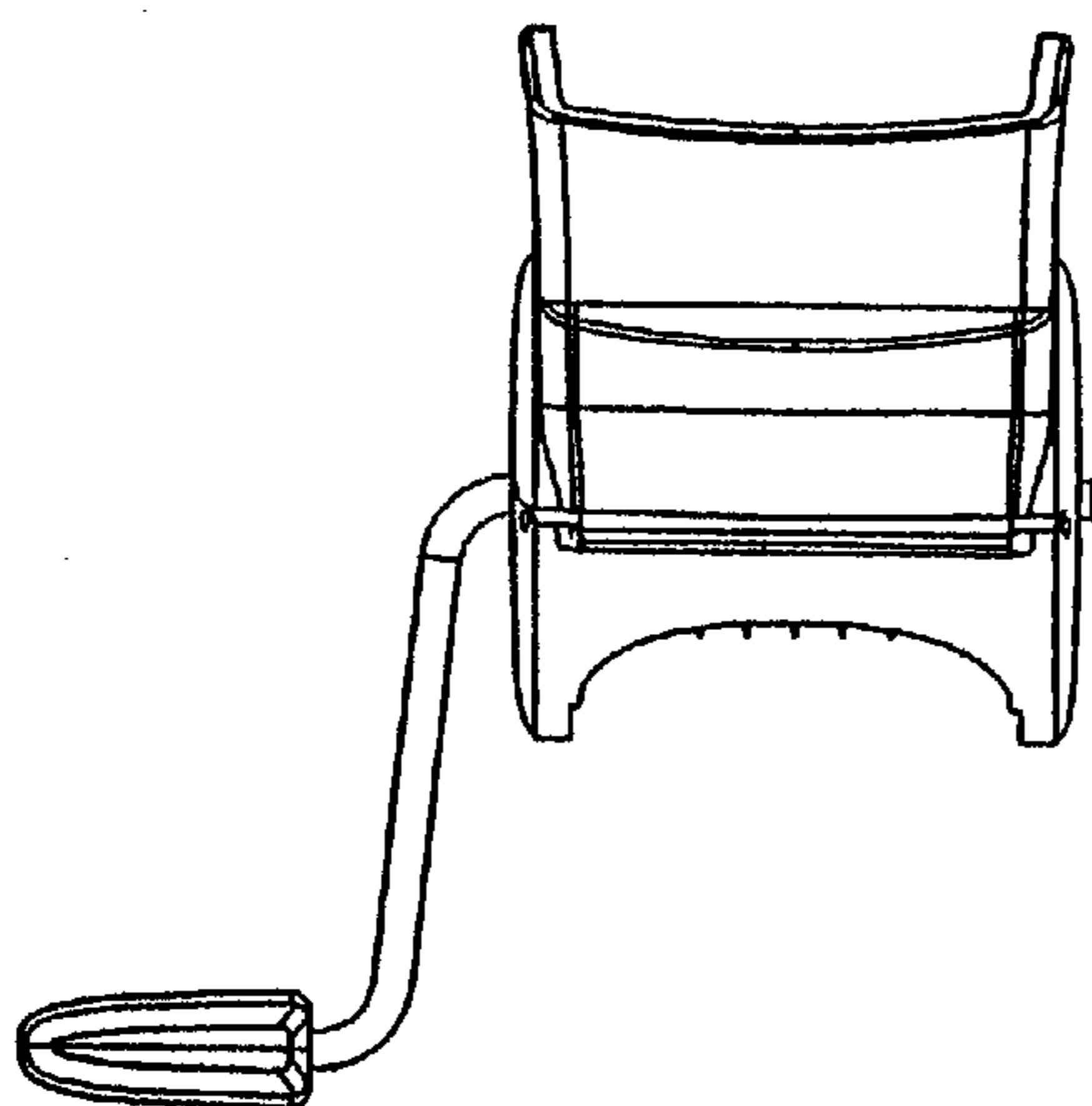


FIG. 7