



US00D517862S

(12) **United States Design Patent**
Sands

(10) **Patent No.:** **US D517,862 S**
(45) **Date of Patent:** **** Mar. 28, 2006**

- (54) **MUG**
- (75) Inventor: **Lenny Sands**, Los Angeles, CA (US)
- (73) Assignee: **Homeland Housewares, LLC**, Los Angeles, CA (US)
- (**) Term: **14 Years**
- (21) Appl. No.: **29/229,426**
- (22) Filed: **May 6, 2005**

3,315,946 A	4/1967	Nissman	
3,704,864 A	12/1972	Lee	
3,881,705 A	5/1975	Greenspan	
4,480,926 A	11/1984	Lattery, Jr. et al.	
4,487,509 A	12/1984	Boyce	
D281,945 S	* 12/1985	Boyce	D7/378
4,708,487 A	* 11/1987	Marshall	366/206
4,889,248 A	12/1989	Bennett	
D347,966 S	* 6/1994	Doggett	D7/378
D385,149 S	* 10/1997	Feil	D7/378
5,720,552 A	2/1998	Schinglegger	
D470,050 S	2/2003	Renz et al.	
D486,997 S	* 2/2004	Janky	D7/378
D487,668 S	* 3/2004	Sands	D7/378
6,817,750 B1	* 11/2004	Sands	366/205
2001/0036124 A1	11/2001	Rubenstein	

Related U.S. Application Data

- (60) Division of application No. 29/216,603, filed on Nov. 5, 2004, which is a division of application No. 29/205,079, filed on May 7, 2004, now Pat. No. Des. 500,633, which is a continuation-in-part of application No. 29/202,701, filed on Apr. 2, 2004, now Pat. No. Des. 501,759.
- (51) **LOC (8) Cl.** **07-01**
- (52) **U.S. Cl.** **D7/396.2; D7/413**
- (58) **Field of Classification Search** D7/398, D7/387, 396.2, 413, 412, 533, 538, 510, 511, D7/507, 509, 523, 376, 377, 378, 415, 380; 366/199, 197, 251, 314, 205, 208, 130; 215/390, 215/387, 395, 398; 312/390; 241/282.2, 195, 241/282.1; D9/500, 537, 546; 220/212, 592.15; 206/505, 508
See application file for complete search history.

(56) **References Cited**

U.S. PATENT DOCUMENTS

1,606,992 A	* 11/1926	Gilchrist	366/197
2,299,730 A	10/1942	Bornstein	
3,064,949 A	11/1962	Dewenter	
3,085,710 A	4/1963	McIlroy	
3,299,226 A	* 1/1967	Edwards	200/16 C

OTHER PUBLICATIONS

- <http://www.kissmixer.com/order/order1.htm> (attached hereto).
- <http://www.kissmixer.com/feature/feature1.htm> (2 pages) (attached hereto).

* cited by examiner

Primary Examiner—M. N. Pandozzi
(74) *Attorney, Agent, or Firm*—Cislo & Thomas, LLP

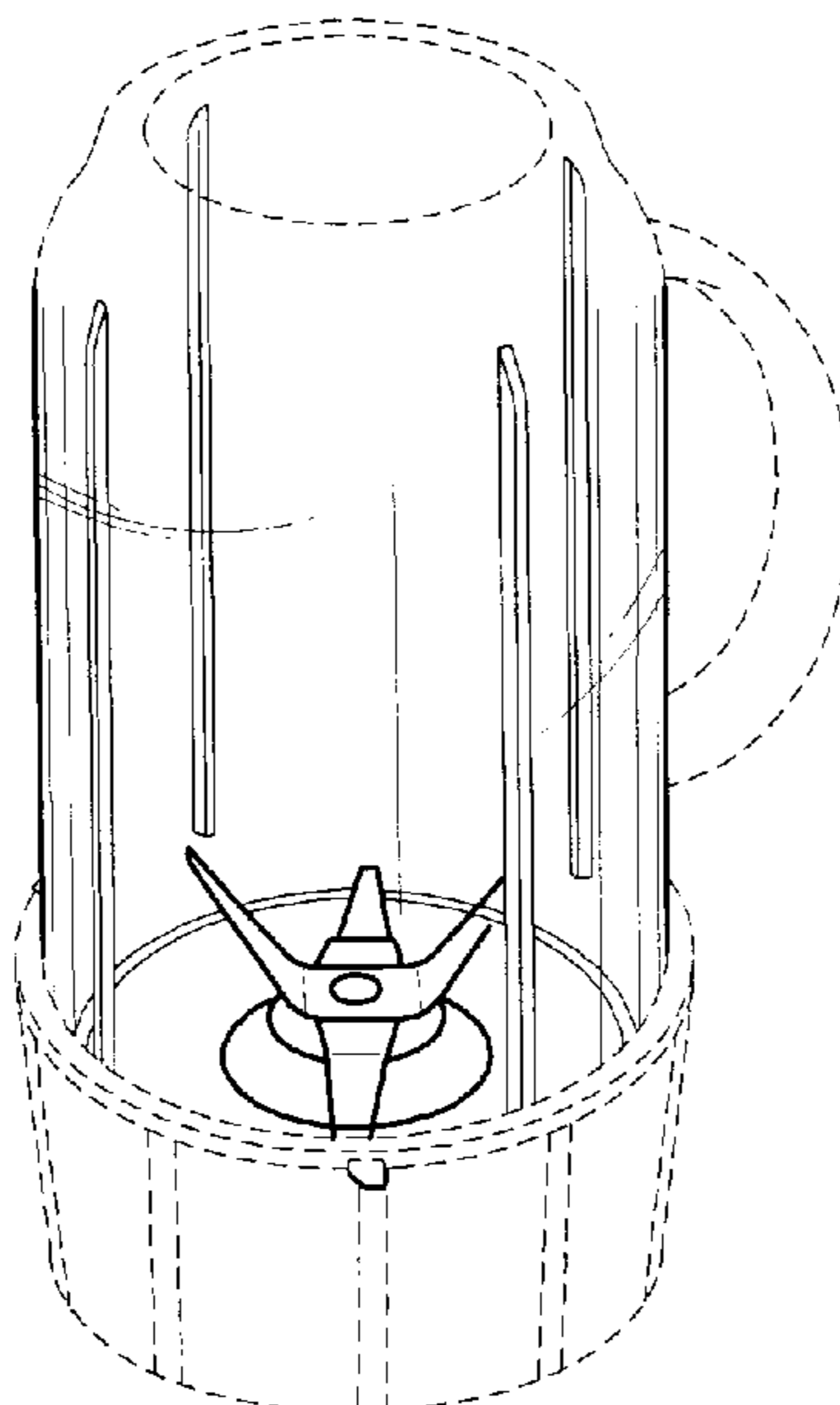
(57) **CLAIM**

The ornamental design for a mug, as shown and described herein.

DESCRIPTION

The figure is a perspective view of a mug showing my new design.
The broken line portions of the disclosure are for illustrative purposes only and form no part of the claimed design.

1 Claim, 1 Drawing Sheet



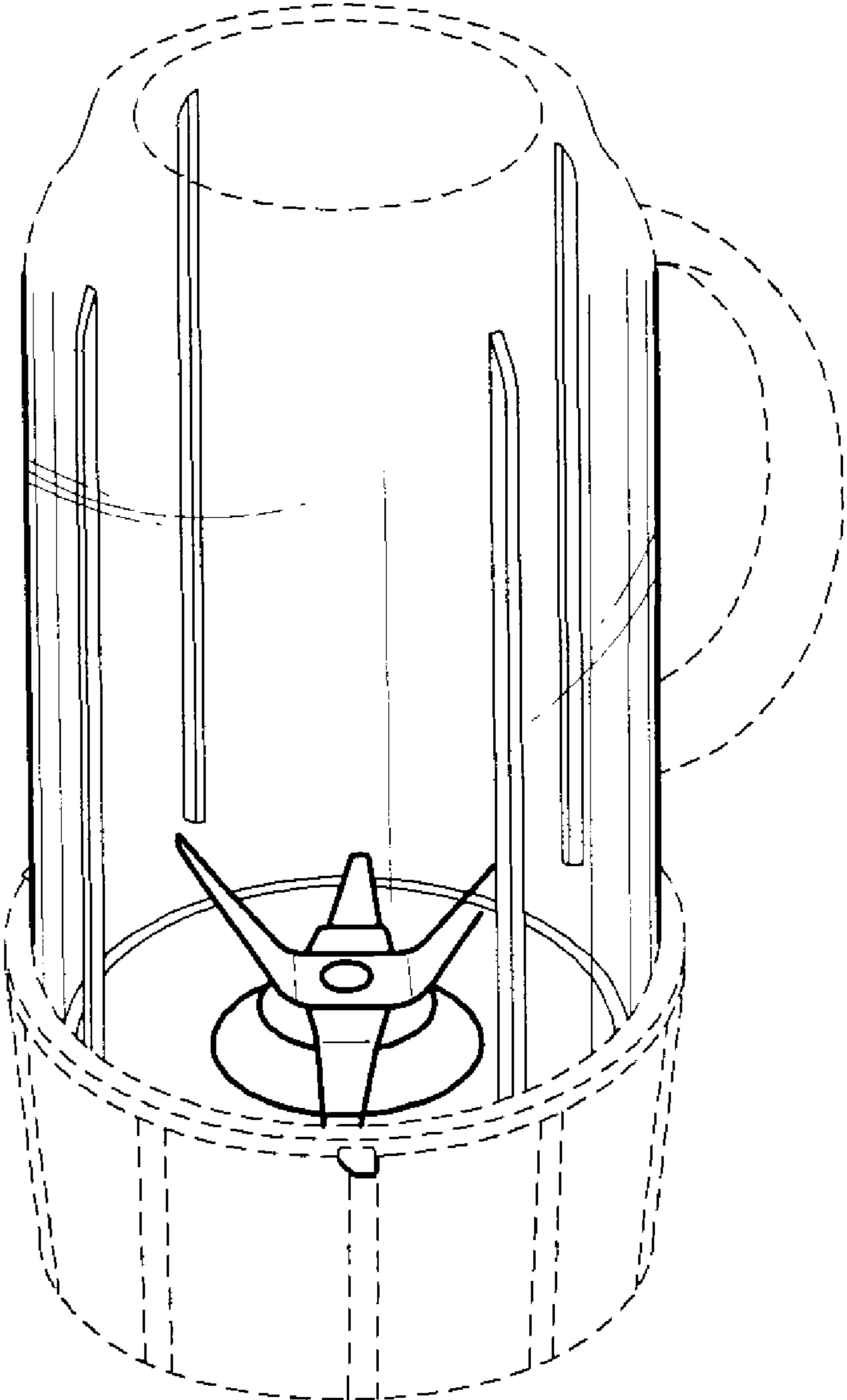


FIG. 1