



US00D517861S

(12) **United States Design Patent**  
**Kim**

(10) **Patent No.:** **US D517,861 S**  
(45) **Date of Patent:** **\*\* Mar. 28, 2006**

(54) **LID FOR CONTAINER**  
(75) Inventor: **Chang-Ho Kim**, Incheon (KR)  
(73) Assignee: **Hana Cobi Co., Ltd.**, Seoul (KR)  
(\*\*) Term: **14 Years**  
(21) Appl. No.: **29/223,742**  
(22) Filed: **Feb. 18, 2005**

(30) **Foreign Application Priority Data**

Jan. 21, 2005 (KR) ..... 30-2005-0001898

(51) **LOC (8) Cl.** ..... **07-01**  
(52) **U.S. Cl.** ..... **D7/392.1**  
(58) **Field of Classification Search** ..... D7/392.1,  
D7/391, 392, 601, 602, 608, 538-542, 510,  
D7/511, 612, 321, 313, 629, 354, 603; 220/254,  
220/780-806; D9/503, 443, 435, 440, 434,  
D9/454; D32/37; 222/480, 512  
See application file for complete search history.

(56) **References Cited**

**U.S. PATENT DOCUMENTS**

3,129,860 A \* 4/1964 Foster ..... 222/512  
3,463,364 A \* 8/1969 Rehag ..... 222/480  
3,467,287 A \* 9/1969 McHardy et al. .... 222/480  
D326,797 S \* 6/1992 Pomroy et al. .... D7/354  
D354,655 S \* 1/1995 Daenen et al. .... D7/392.1  
D377,733 S \* 2/1997 Ahern et al. .... D7/392.1

D432,858 S \* 10/2000 Hayes et al. .... D7/392.1  
D446,117 S \* 8/2001 Conti ..... D7/392.1  
D462,817 S \* 9/2002 Yang ..... D32/37  
D466,364 S \* 12/2002 Demore ..... D7/392.1  
D485,468 S \* 1/2004 Roth et al. .... D7/392.1  
D485,473 S \* 1/2004 Dais et al. .... D7/629  
D499,931 S \* 12/2004 Kim ..... D7/392.1  
D500,227 S \* 12/2004 Seok ..... D7/392.1  
D502,060 S \* 2/2005 Dais et al. .... D7/629  
D504,053 S \* 4/2005 Bertulis ..... D7/629

\* cited by examiner

*Primary Examiner*—Gary D. Watson

*Assistant Examiner*—Terrence Huang

(74) *Attorney, Agent, or Firm*—Birch, Stewart, Kolasch & Birch, LLP

(57) **CLAIM**

The ornamental design for a lid for container, as shown.

**DESCRIPTION**

FIG. 1 is a perspective view of the lid for container showing my new design;

FIG. 2 is a front view thereof;

FIG. 3 is a rear view thereof;

FIG. 4 is a left side view thereof;

FIG. 5 is a right side view thereof;

FIG. 6 is a top plan view thereof; and,

FIG. 7 is a bottom plan view thereof.

**1 Claim, 5 Drawing Sheets**

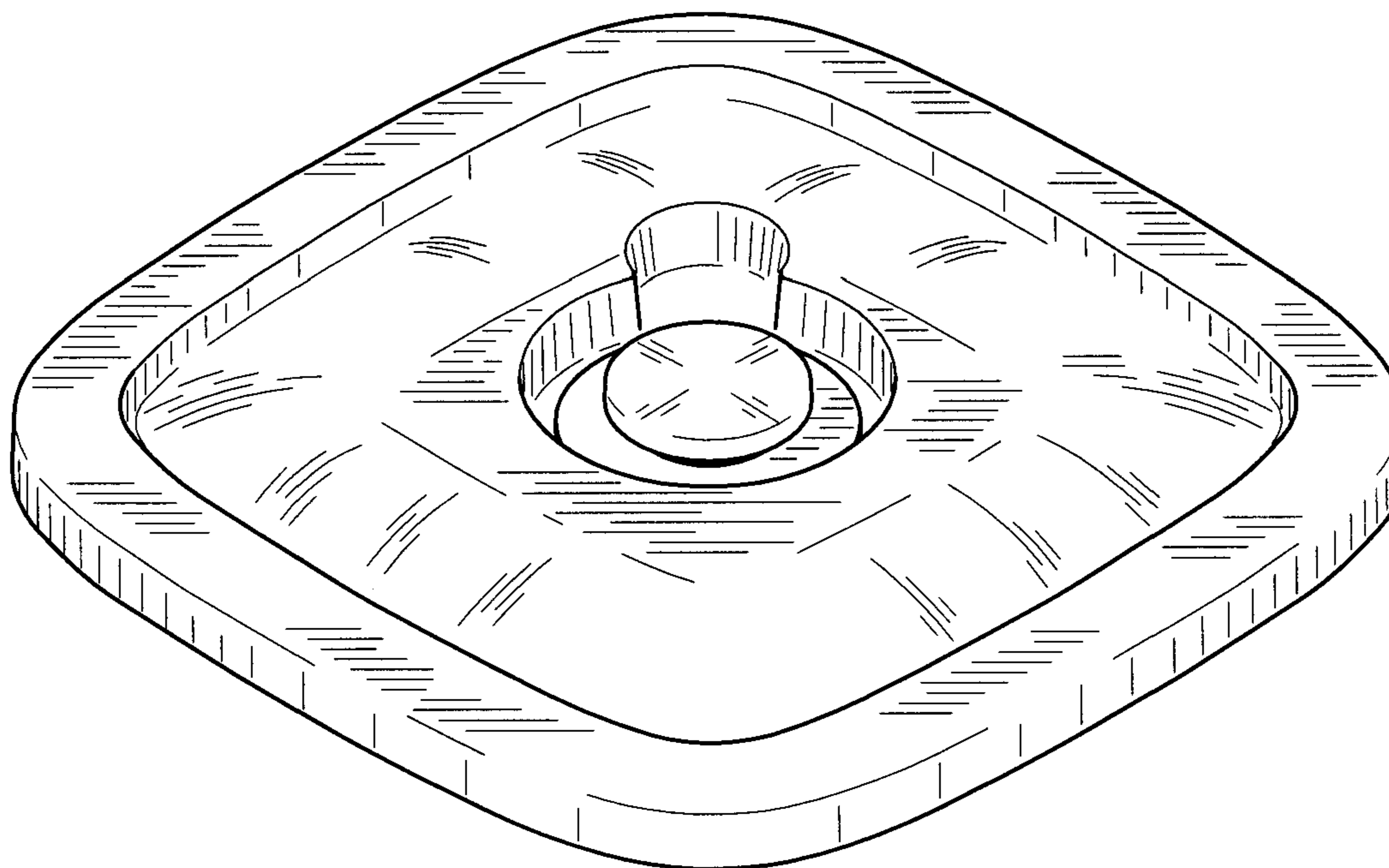


Fig. 1

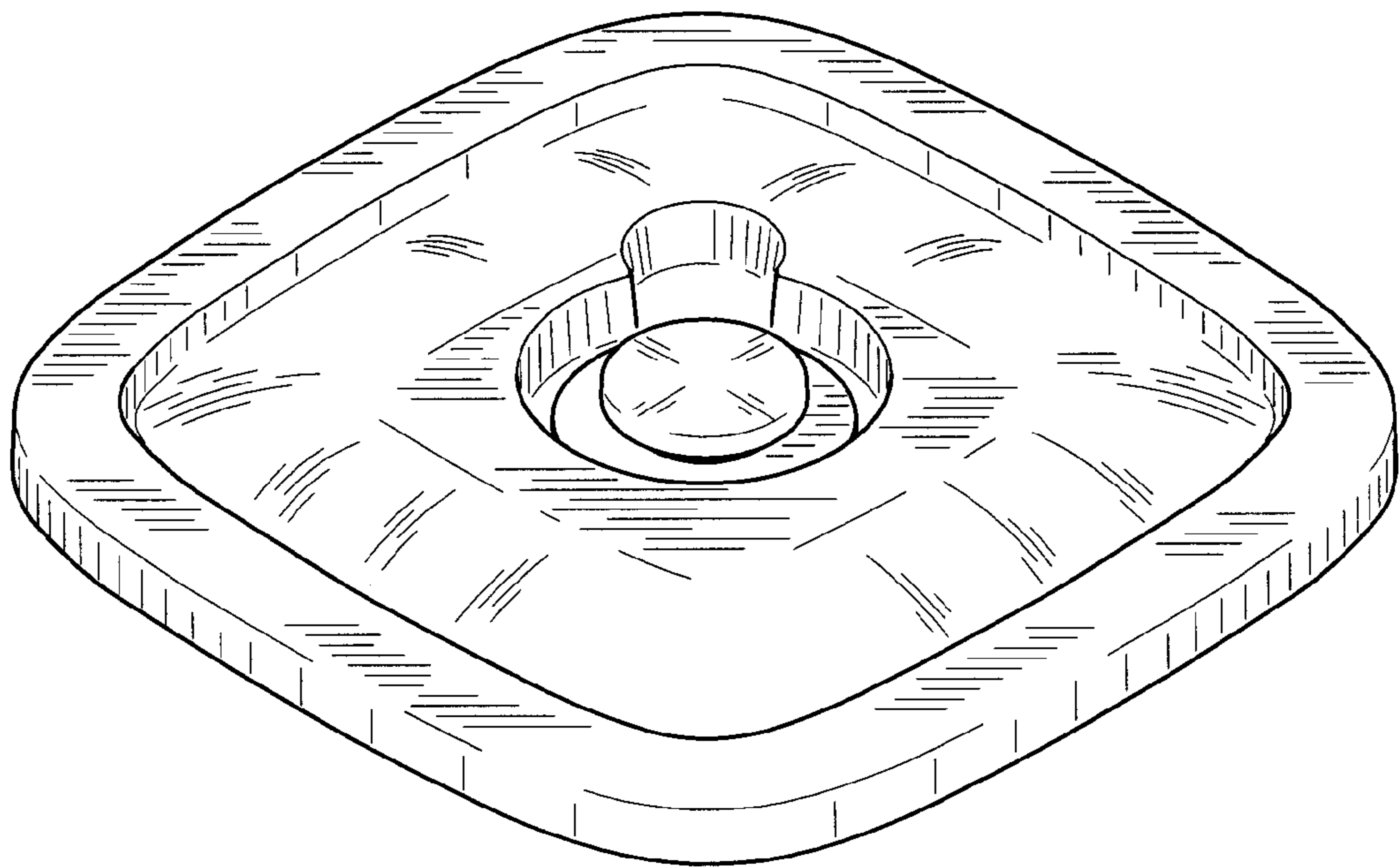


Fig.2

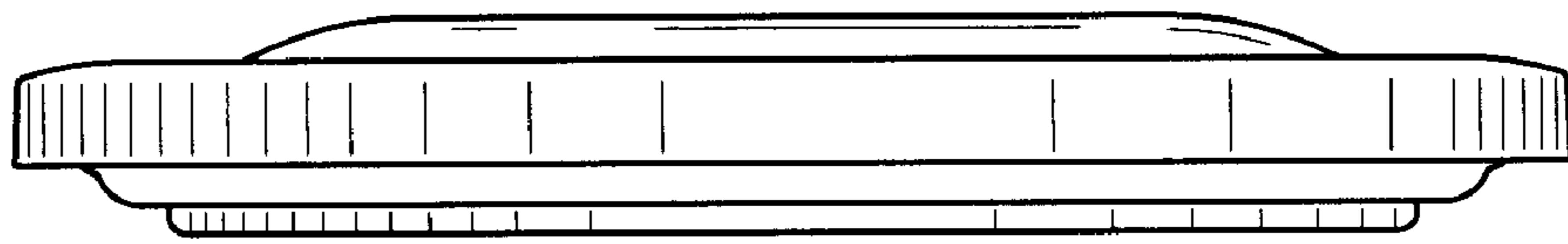


Fig.3

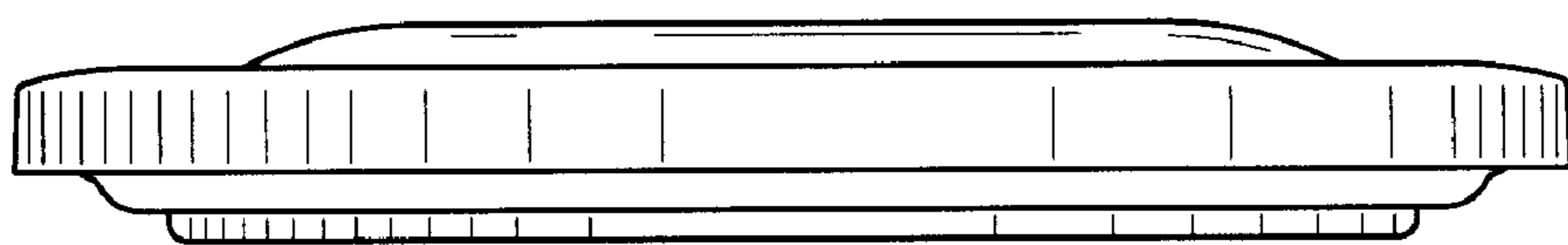


Fig.4

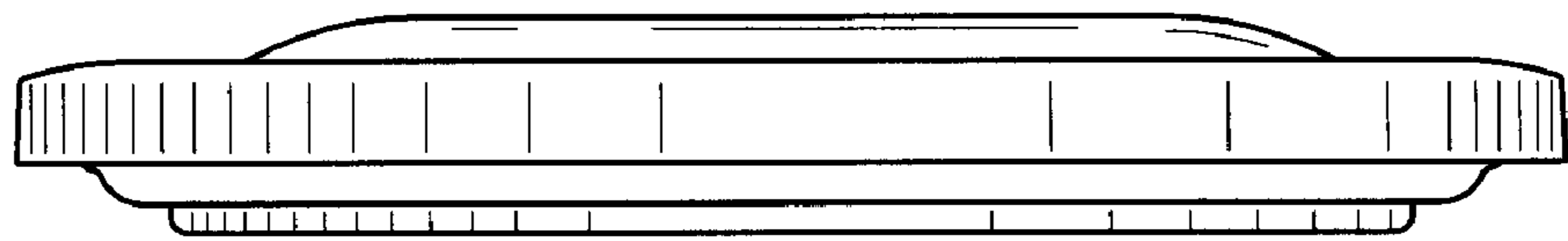


Fig.5

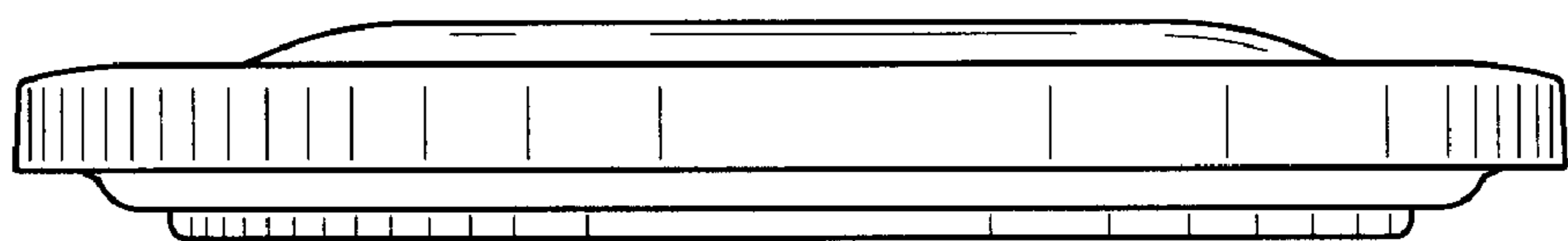


Fig.6

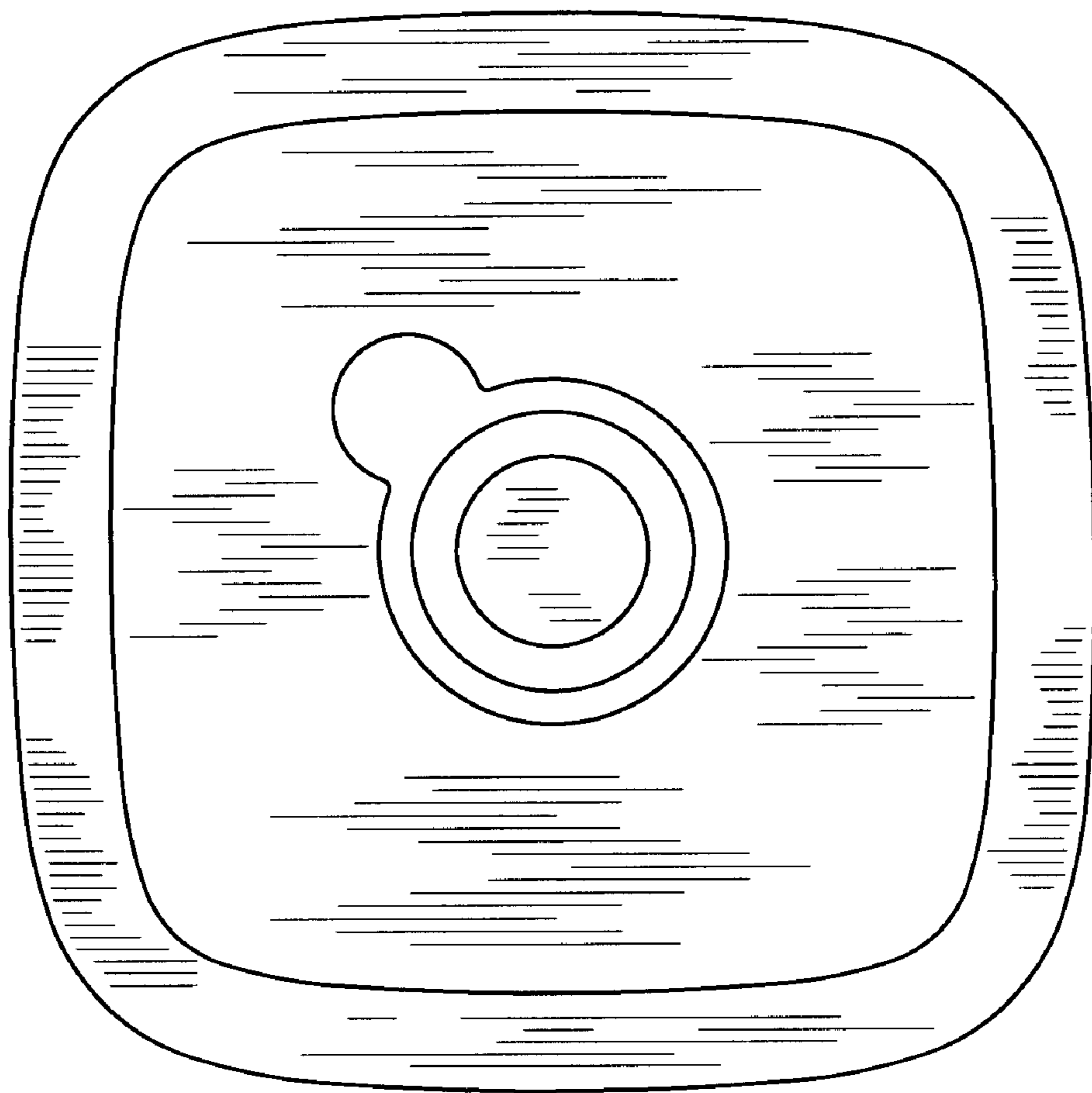


Fig.7

