



US00D517856S

(12) **United States Design Patent**  
**Krasne**

(10) **Patent No.:** **US D517,856 S**  
(45) **Date of Patent:** **\*\* Mar. 28, 2006**

(54) **SLOW COOKER**

(75) Inventor: **Mark T. Krasne**, Kansas City, MO  
(US)

(73) Assignee: **Select Brands, Inc.**, Lenexa, KS (US)

(\*\*) Term: **14 Years**

(21) Appl. No.: **29/231,289**

(22) Filed: **Jun. 2, 2005**

**Related U.S. Application Data**

(62) Division of application No. 29/204,733, filed on May 3, 2004.

(51) **LOC (8) Cl.** ..... **07-02**

(52) **U.S. Cl.** ..... **D7/354; D7/358**

(58) **Field of Classification Search** ..... D7/323,  
D7/332-337, 352, 354-361, 392.1, 402-404,  
D7/511, 515, 606; 99/419, 421 R; 126/25 R,  
126/25 A, 25 AA, 41 R, 29-30

See application file for complete search history.

(56) **References Cited**

**U.S. PATENT DOCUMENTS**

- D297,389 S \* 8/1988 Demaree ..... D7/511
- D330,284 S 10/1992 Klien et al.
- D339,955 S \* 10/1993 Katz ..... D7/392.1
- D340,076 S \* 10/1993 Turner ..... D7/515
- D349,631 S \* 8/1994 Redmon ..... D7/606
- D355,334 S \* 2/1995 Minor ..... D7/606

- D360,108 S \* 7/1995 Blankenburg et al. .... D7/515
- D376,730 S \* 12/1996 Hurst et al. .... D7/515
- D409,443 S 5/1999 Clark et al.
- D413,598 S 9/1999 Cheung
- D415,929 S \* 11/1999 D'Arrigo ..... D7/515
- D418,004 S 12/1999 Taylor, Jr.
- D420,861 S \* 2/2000 Hansen ..... D7/606
- D421,033 S 2/2000 Shirley et al.
- D431,155 S 9/2000 Cragg
- D466,360 S 12/2002 Favela
- D474,372 S \* 5/2003 Leon ..... D7/515
- D476,804 S \* 7/2003 Bond et al. .... D7/515

\* cited by examiner

*Primary Examiner*—Caron D. Veynar

*Assistant Examiner*—Vy Nguyen

(74) *Attorney, Agent, or Firm*—Hovey Williams LLP

(57) **CLAIM**

The ornamental design for a slow cooker, as shown.

**DESCRIPTION**

FIG. 1 is a top, front perspective view of a slow cooker embodying my design in accordance with the present invention;

FIG. 2 is a bottom perspective view thereof;

FIG. 3 is a top plan view thereof;

FIG. 4 is a front elevational view thereof;

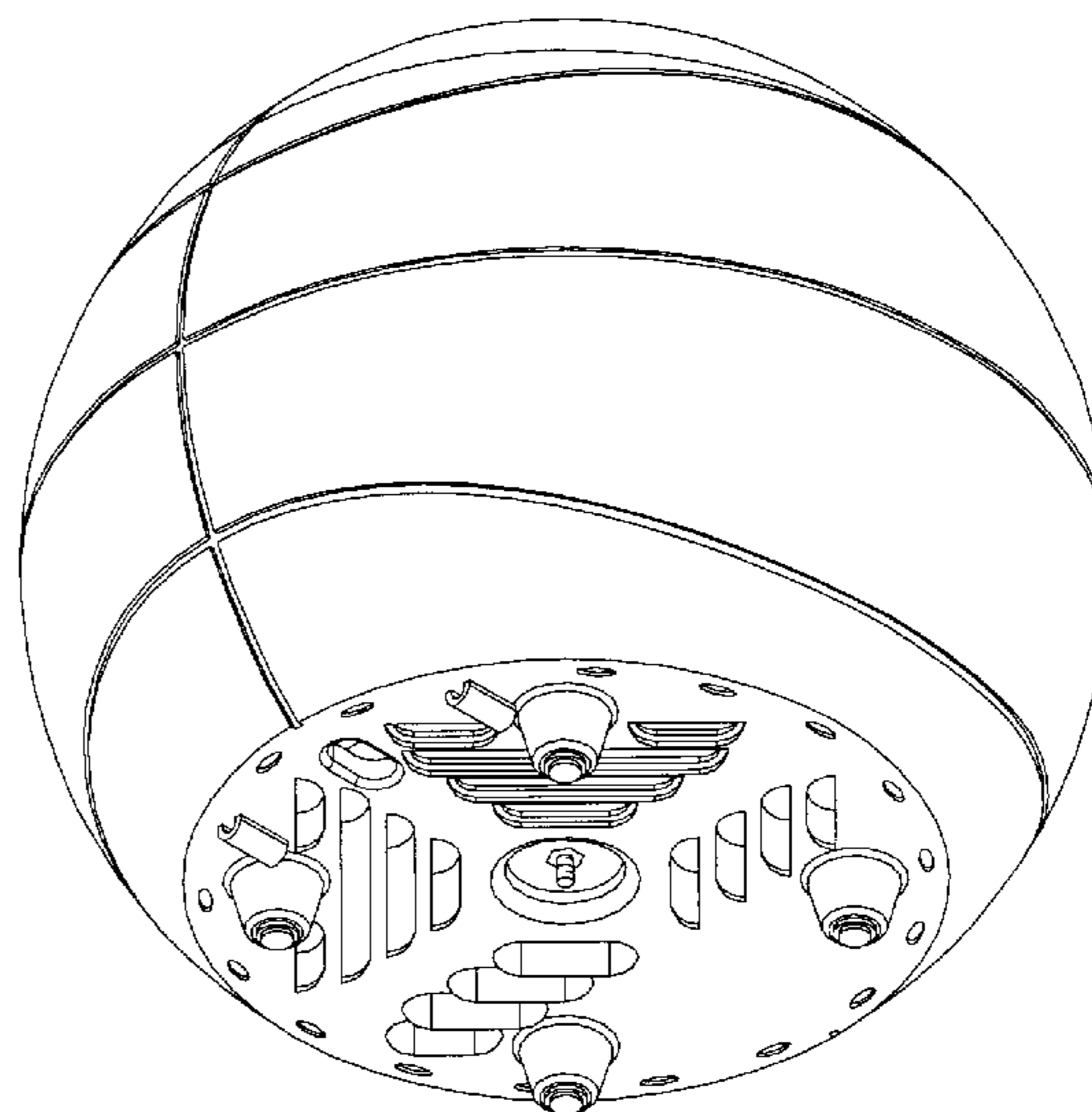
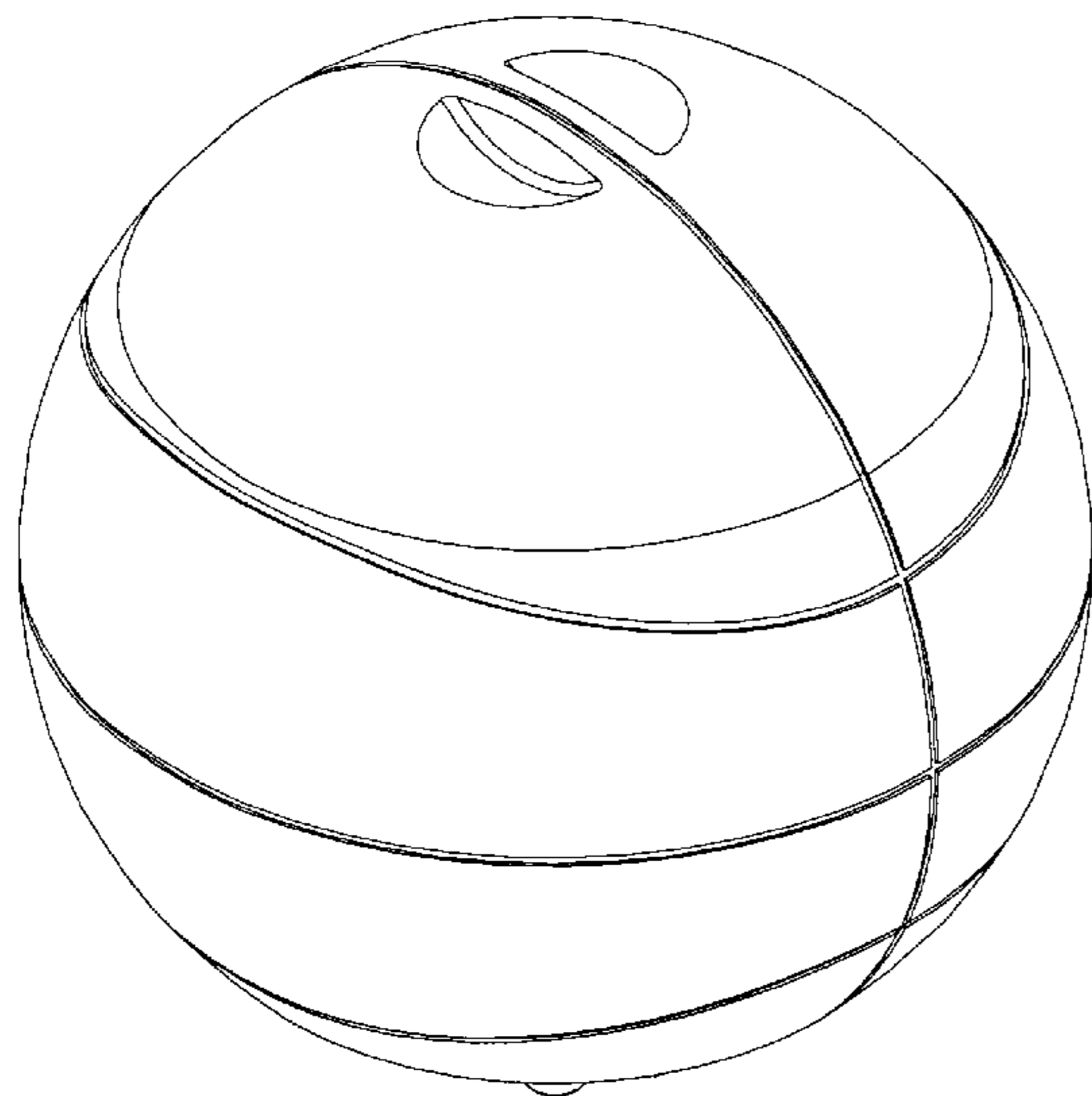
FIG. 5 is an end elevational view thereof;

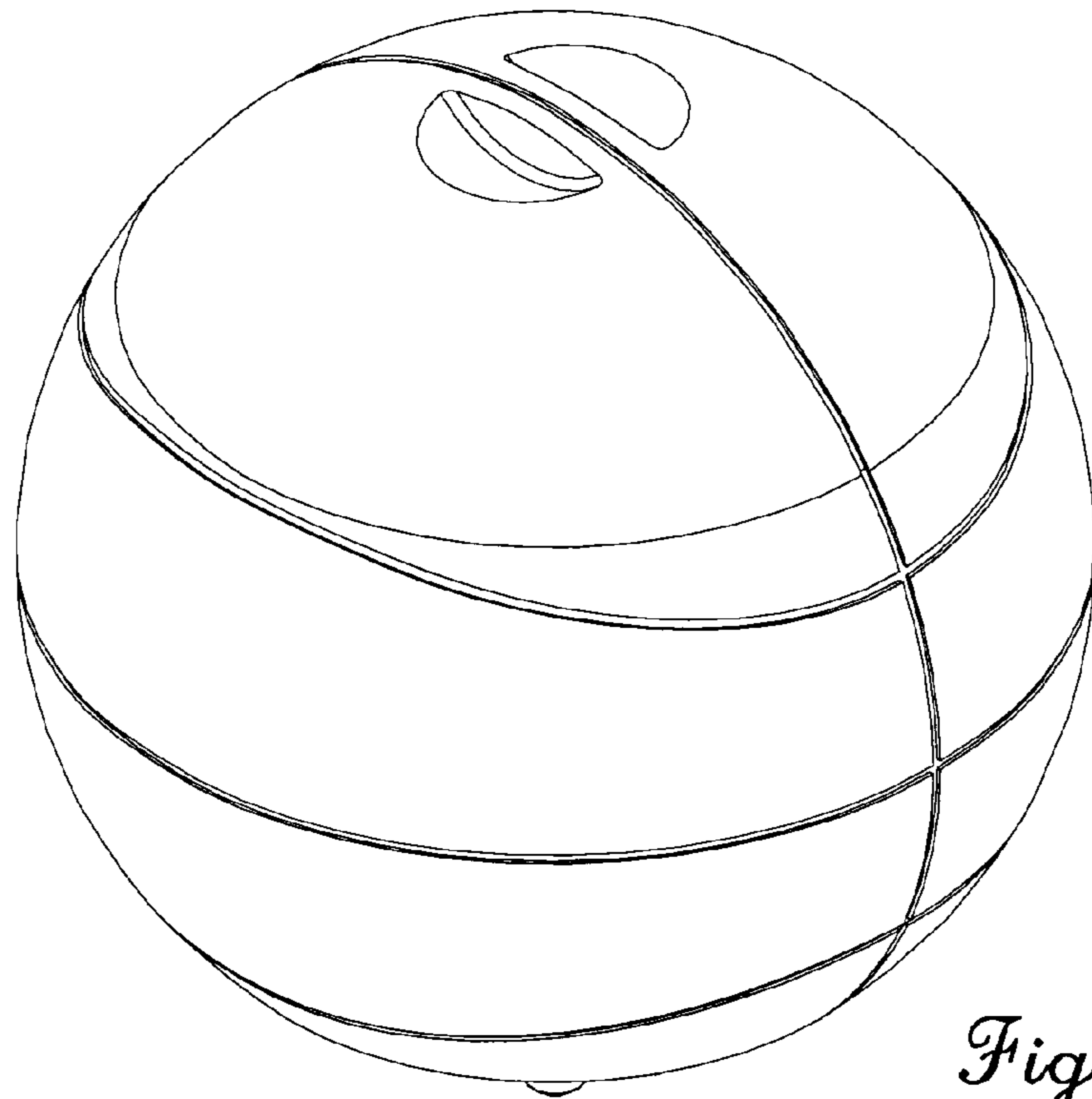
FIG. 6 is an opposite end elevational view thereof;

FIG. 7 is a rear elevational view thereof; and,

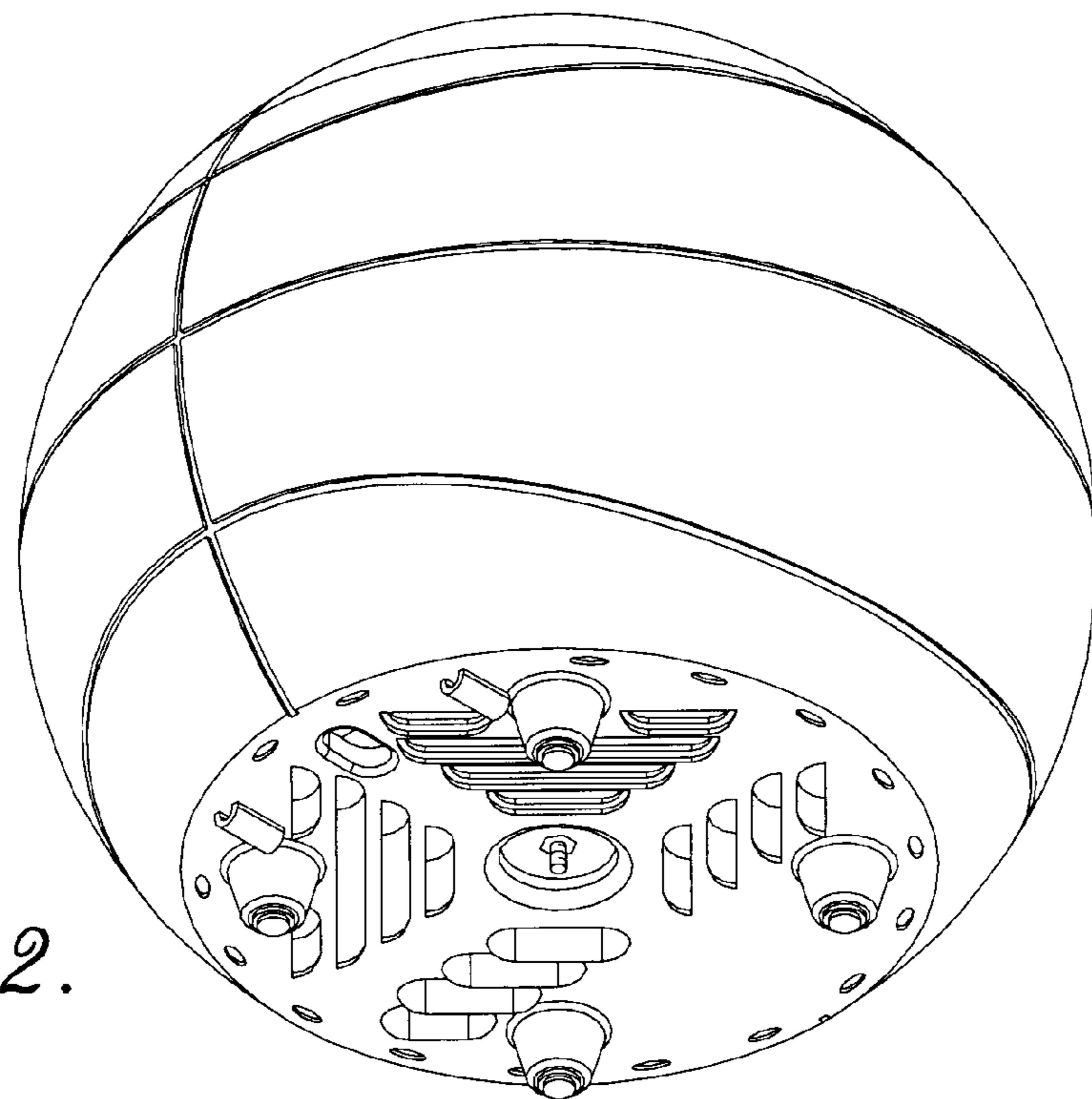
FIG. 8 is a bottom plan view thereof.

**1 Claim, 4 Drawing Sheets**

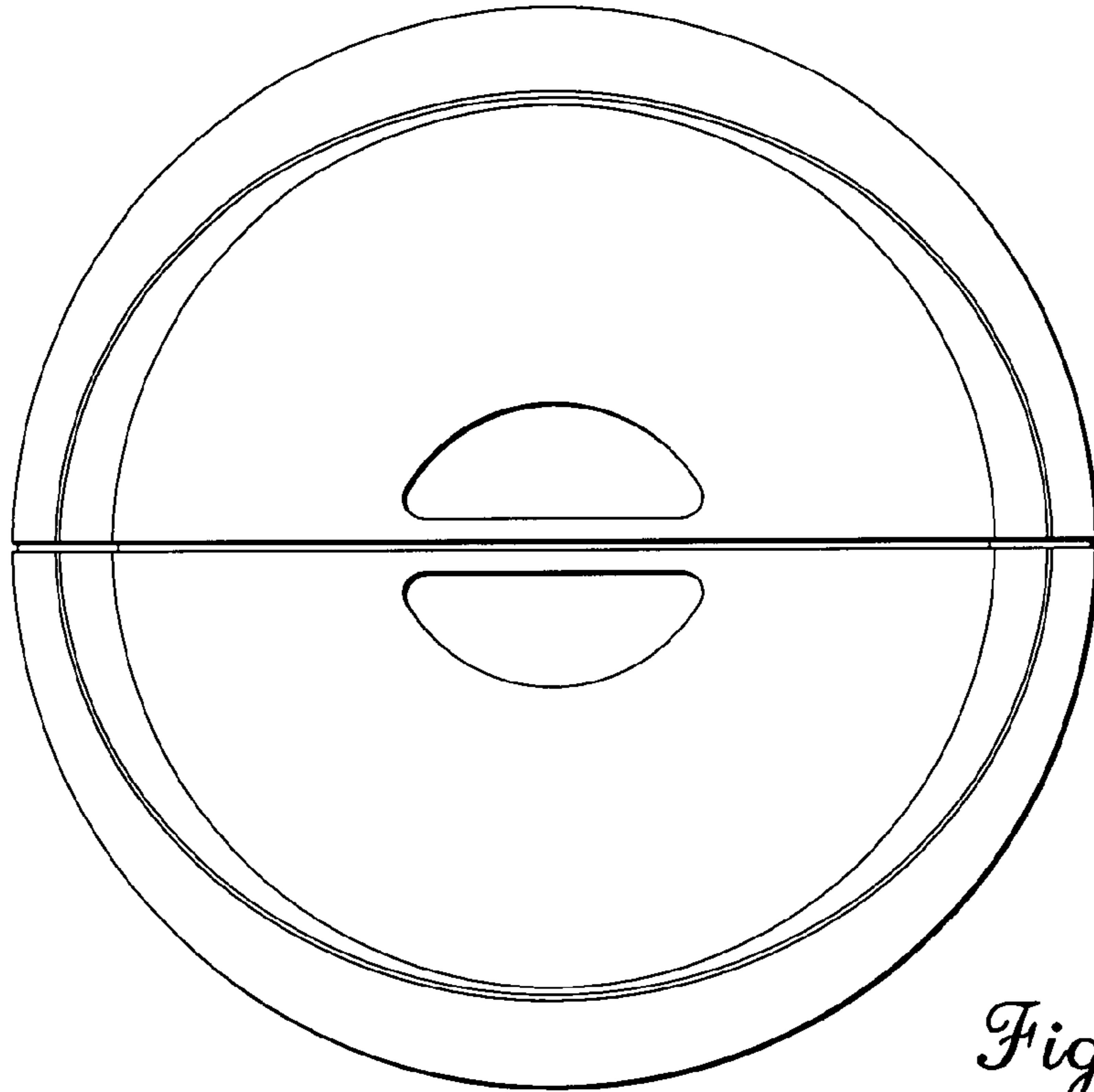




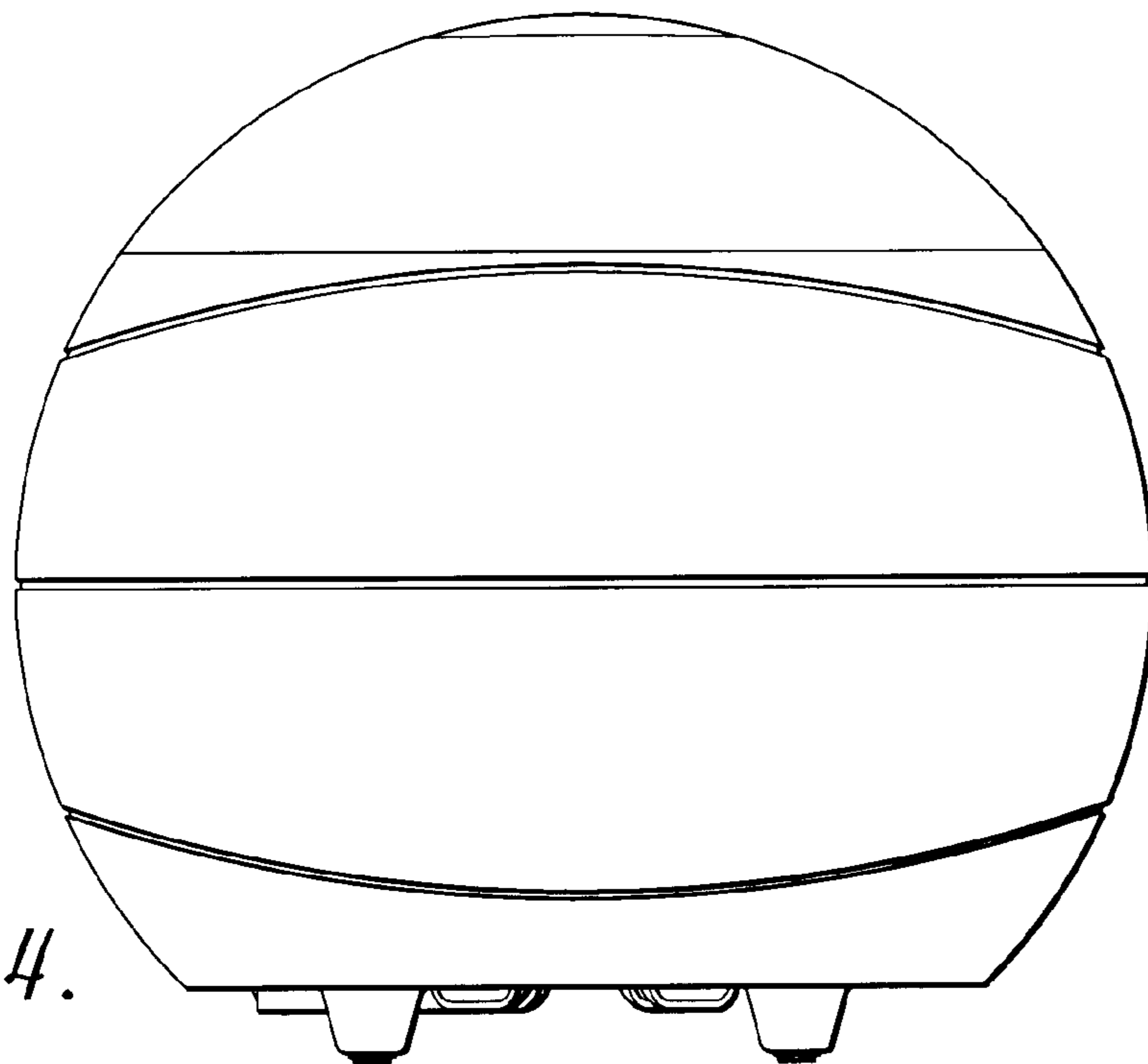
*Fig. 1.*



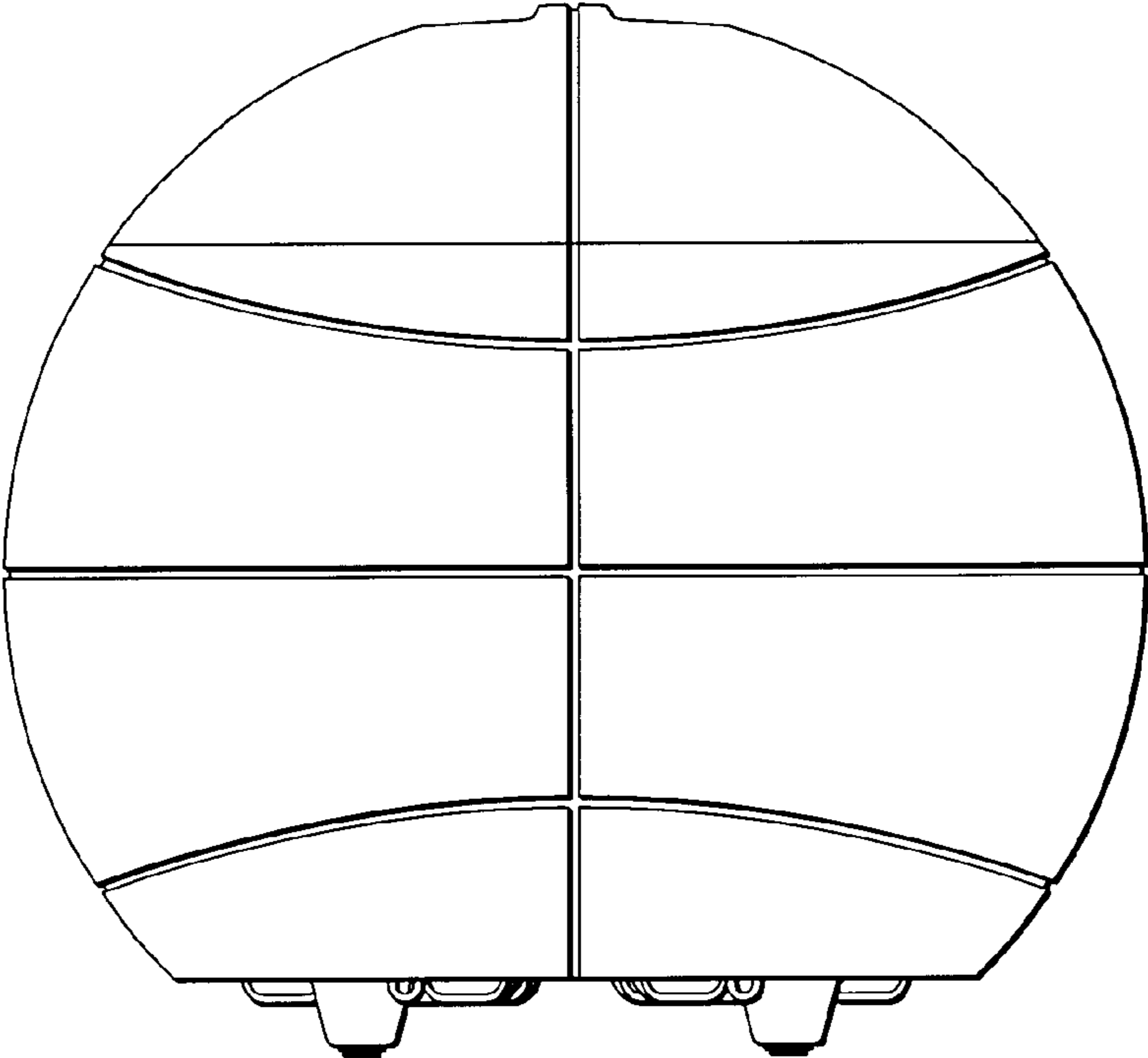
*Fig. 2.*



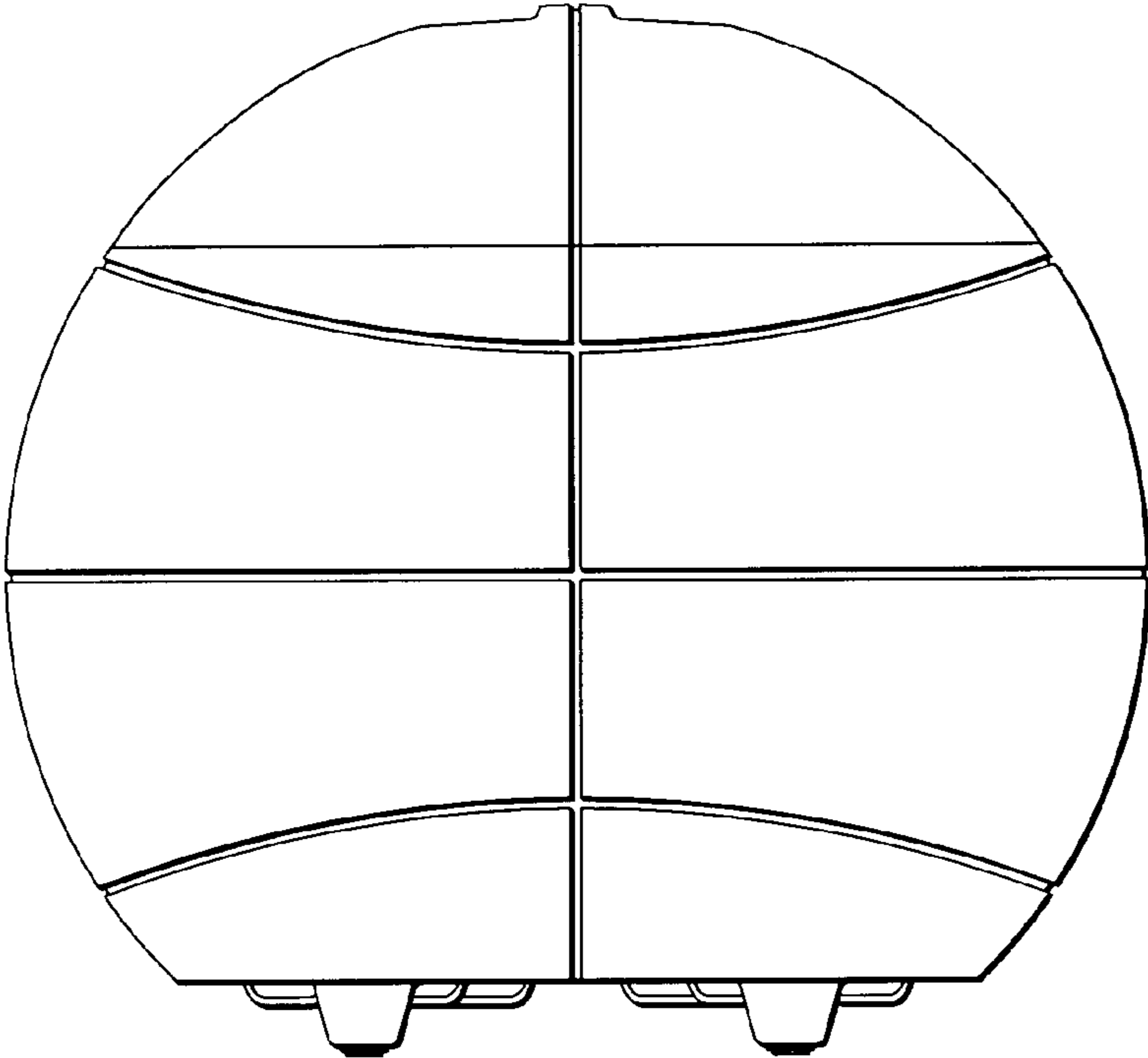
*Fig. 3.*



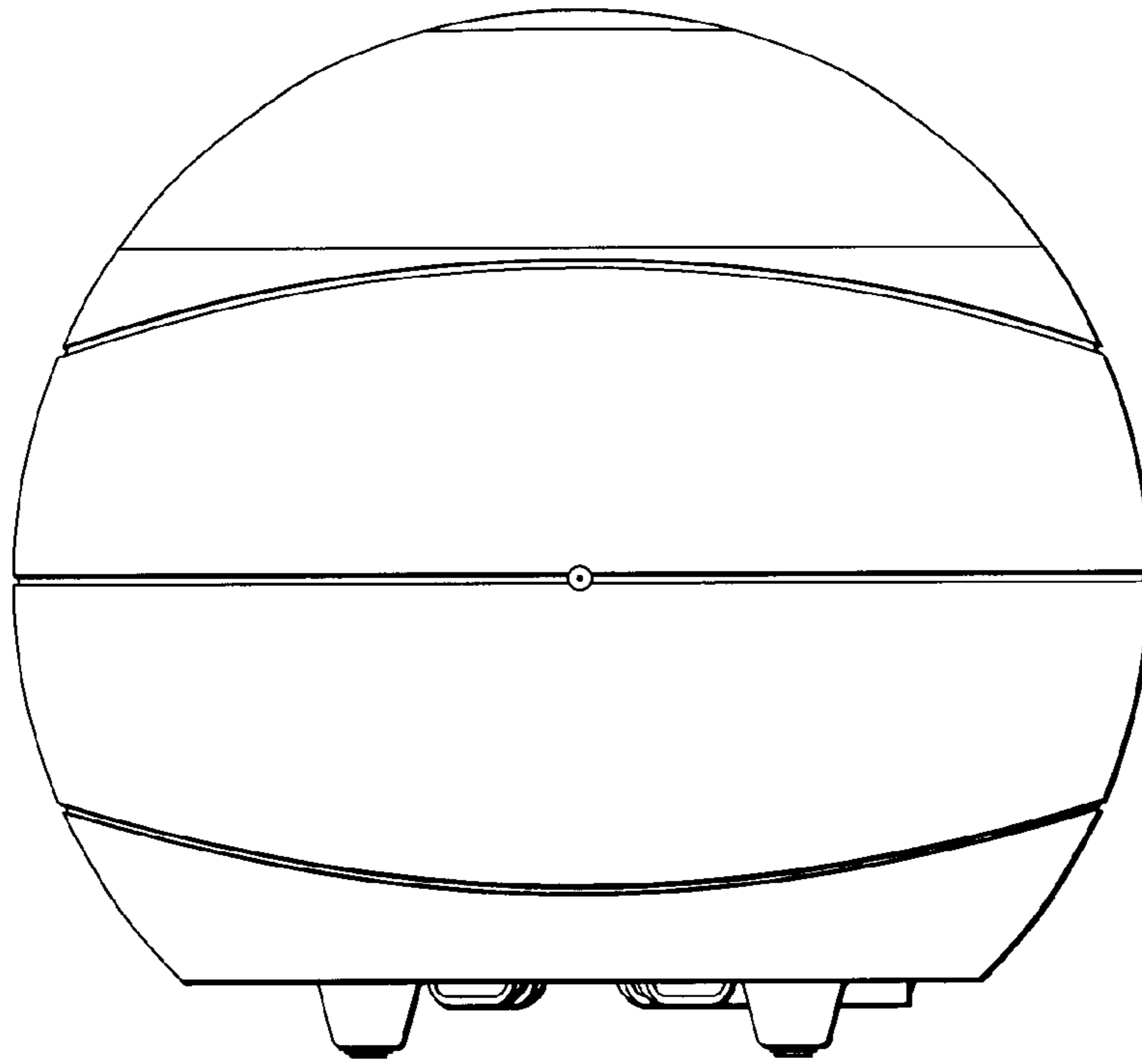
*Fig. 4.*



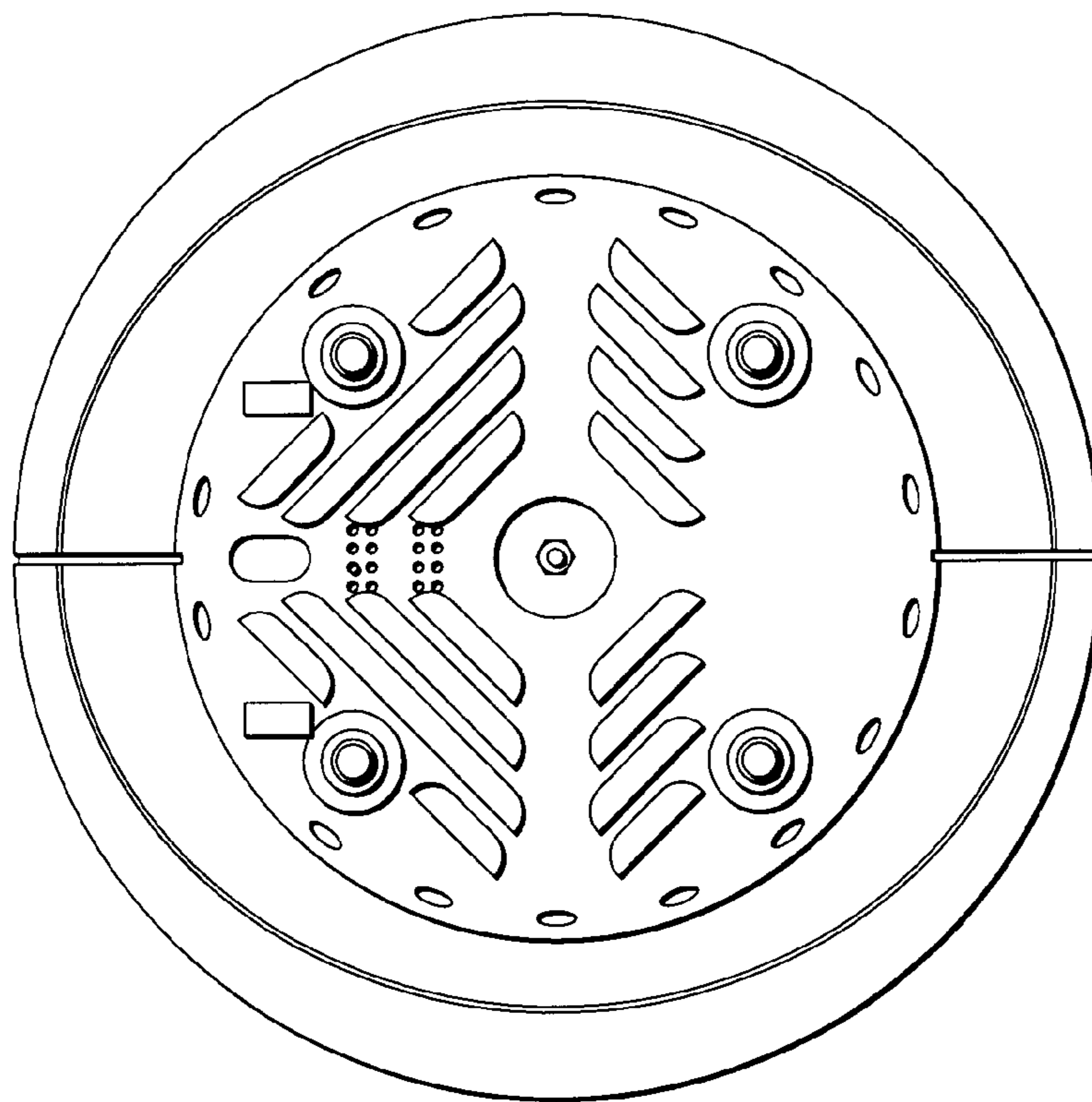
*Fig. 5.*



*Fig. 6.*



*Fig. 7.*



*Fig. 8.*