



US00D517855S

(12) **United States Design Patent**
Krasne

(10) **Patent No.:** **US D517,855 S**

(45) **Date of Patent:** **** Mar. 28, 2006**

(54) **SLOW COOKER**

(75) Inventor: **Mark T. Krasne**, Kansas City, MO
(US)

(73) Assignee: **Select Brands, Inc.**, Lenexa, KS (US)

(**) Term: **14 Years**

(21) Appl. No.: **29/231,288**

(22) Filed: **Jun. 2, 2005**

D396,599 S	8/1998	Smith, Jr.	
D401,117 S	* 11/1998	Anderson et al.	D7/606
D411,715 S	* 6/1999	Hansen	D7/606
D421,200 S	2/2000	Taylor, Jr.	
D425,367 S	5/2000	Cragg	
D435,998 S	1/2001	Mak	
D465,381 S	11/2002	Favela	
D465,694 S	11/2002	Favela	
D465,962 S	11/2002	Favela	
D482,230 S	* 11/2003	Lai	D7/332
D496,554 S	9/2004	Lai	

* cited by examiner

Related U.S. Application Data

(62) Division of application No. 29/204,734, filed on May 3, 2004.

(51) **LOC (8) Cl.** **07-02**

(52) **U.S. Cl.** **D7/354; D7/358**

(58) **Field of Classification Search** D7/323,
D7/332-337, 352, 354-361, 402-404, 606;
99/419, 421 R; 126/25 R, 25 A, 25 AA,
126/41 R, 29-30

See application file for complete search history.

Primary Examiner—Caron D. Veynar

Assistant Examiner—Vy Nguyen

(74) *Attorney, Agent, or Firm*—Hovey Williams LLP

(57) **CLAIM**

The ornamental design for a slow cooker, as shown.

DESCRIPTION

FIG. 1 is a top, front perspective view of a slow cooker embodying my design in accordance with the present invention;

FIG. 2 is a bottom perspective view thereof;

FIG. 3 is a top plan view thereof;

FIG. 4 is a front elevational view thereof;

FIG. 5 is an end elevational view thereof;

FIG. 6 is an opposite end elevational view thereof;

FIG. 7 is a rear elevational view thereof; and,

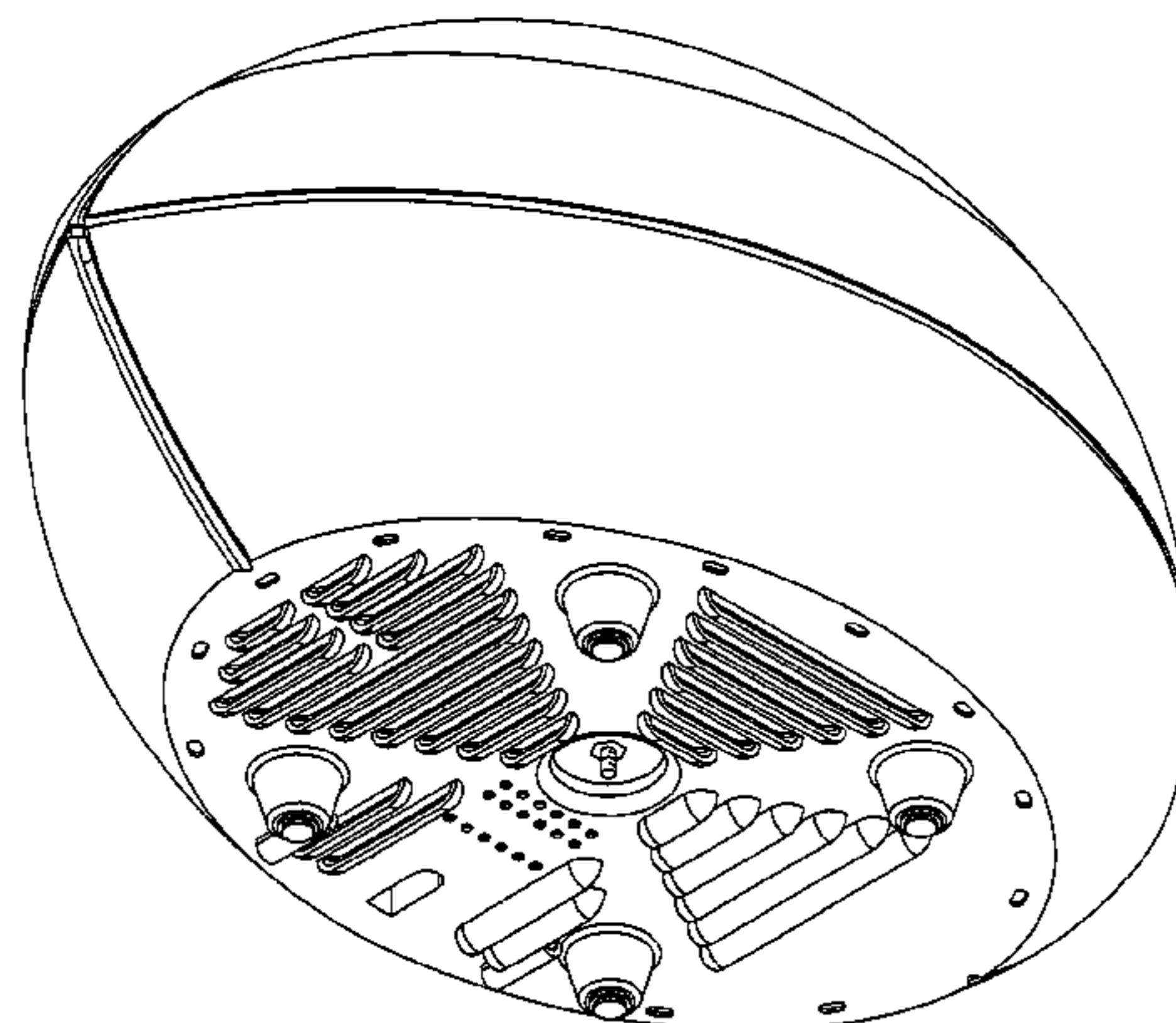
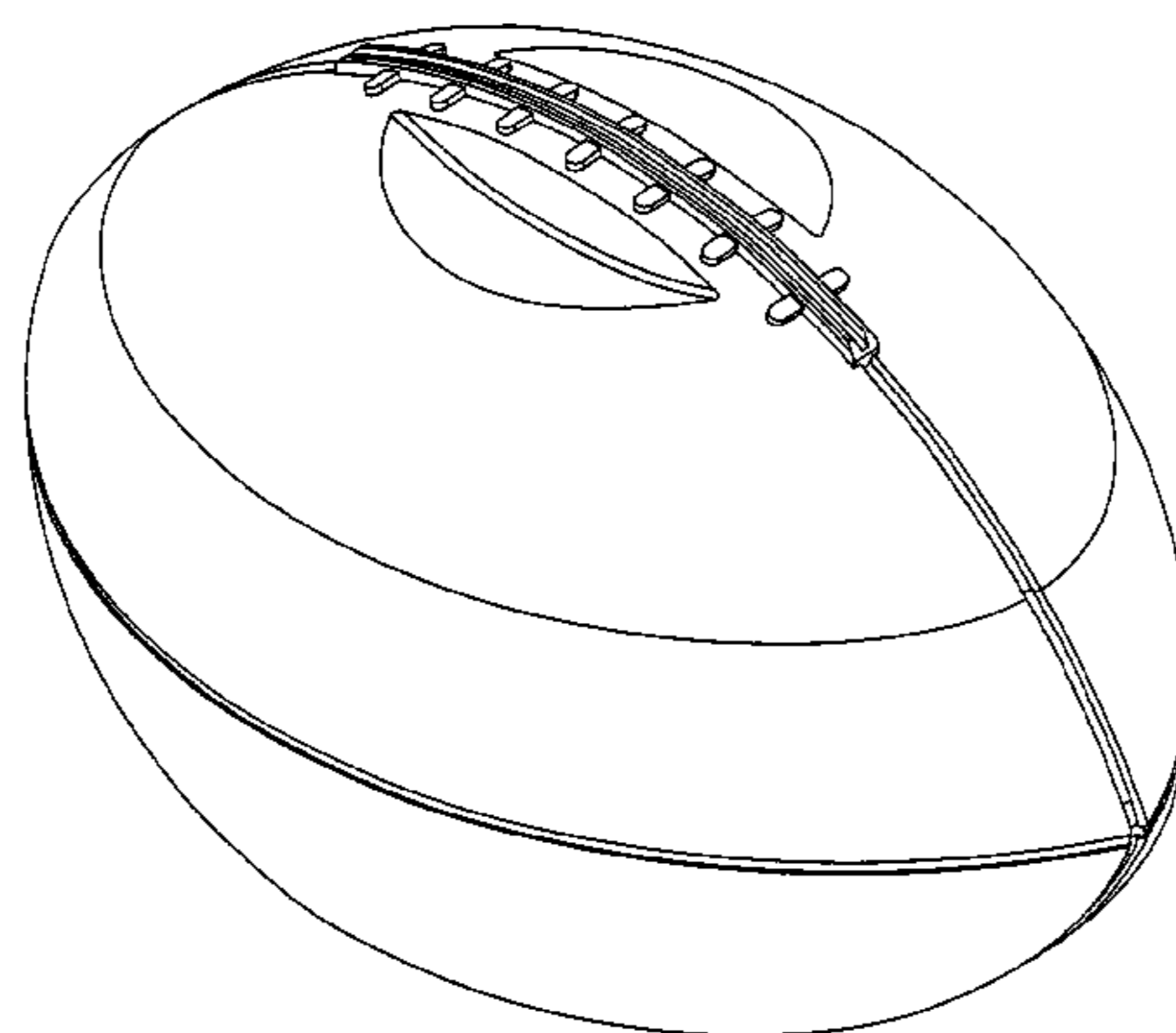
FIG. 8 is a bottom plan view thereof.

(56) **References Cited**

U.S. PATENT DOCUMENTS

D314,882 S	2/1991	Bethel, Jr.	
D349,009 S	* 7/1994	Minor	D7/606
D373,282 S	9/1996	Cordero	
D385,146 S	10/1997	Fielding et al.	
D392,844 S	* 3/1998	Todorya	D7/606

1 Claim, 4 Drawing Sheets



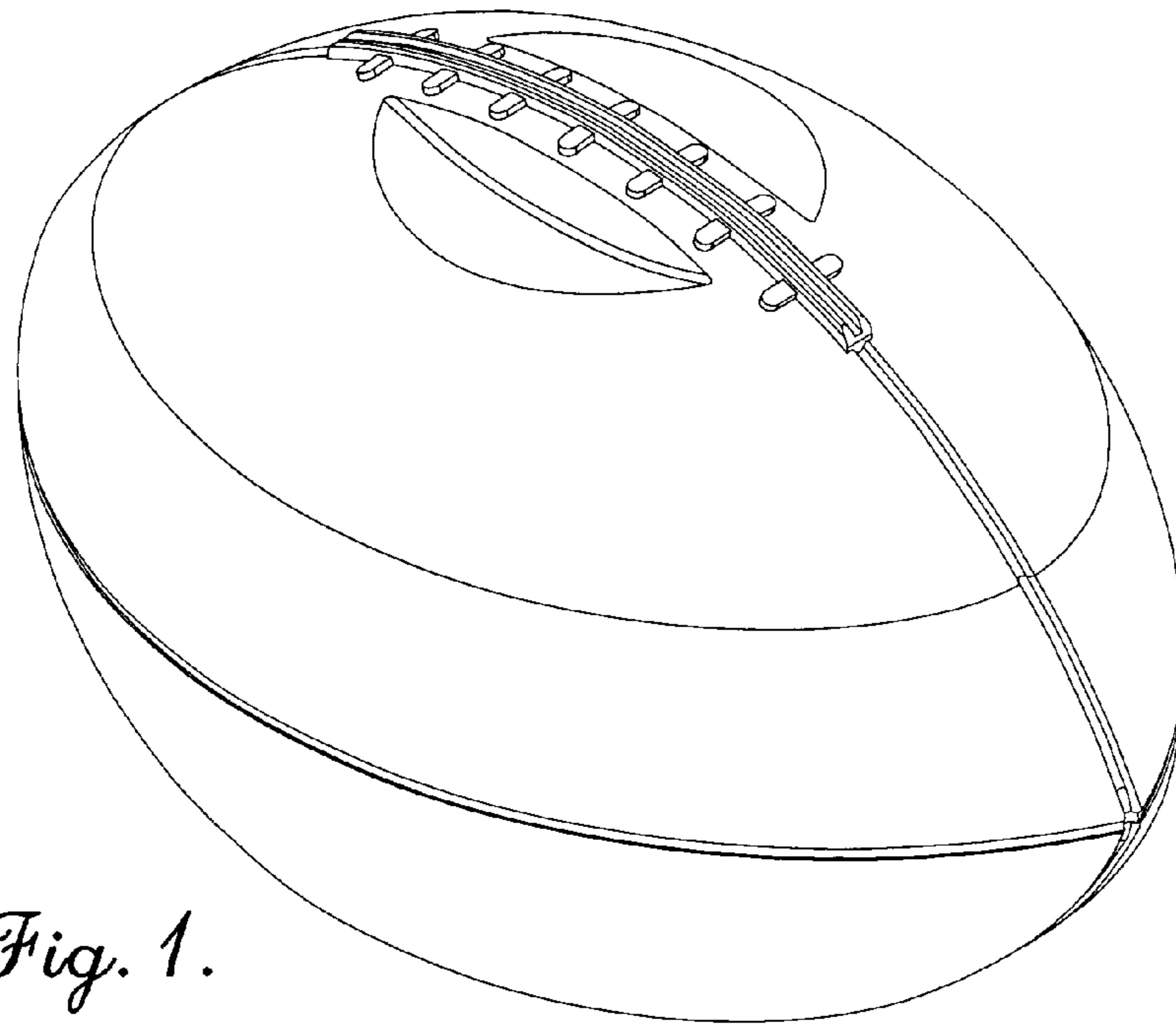


Fig. 1.

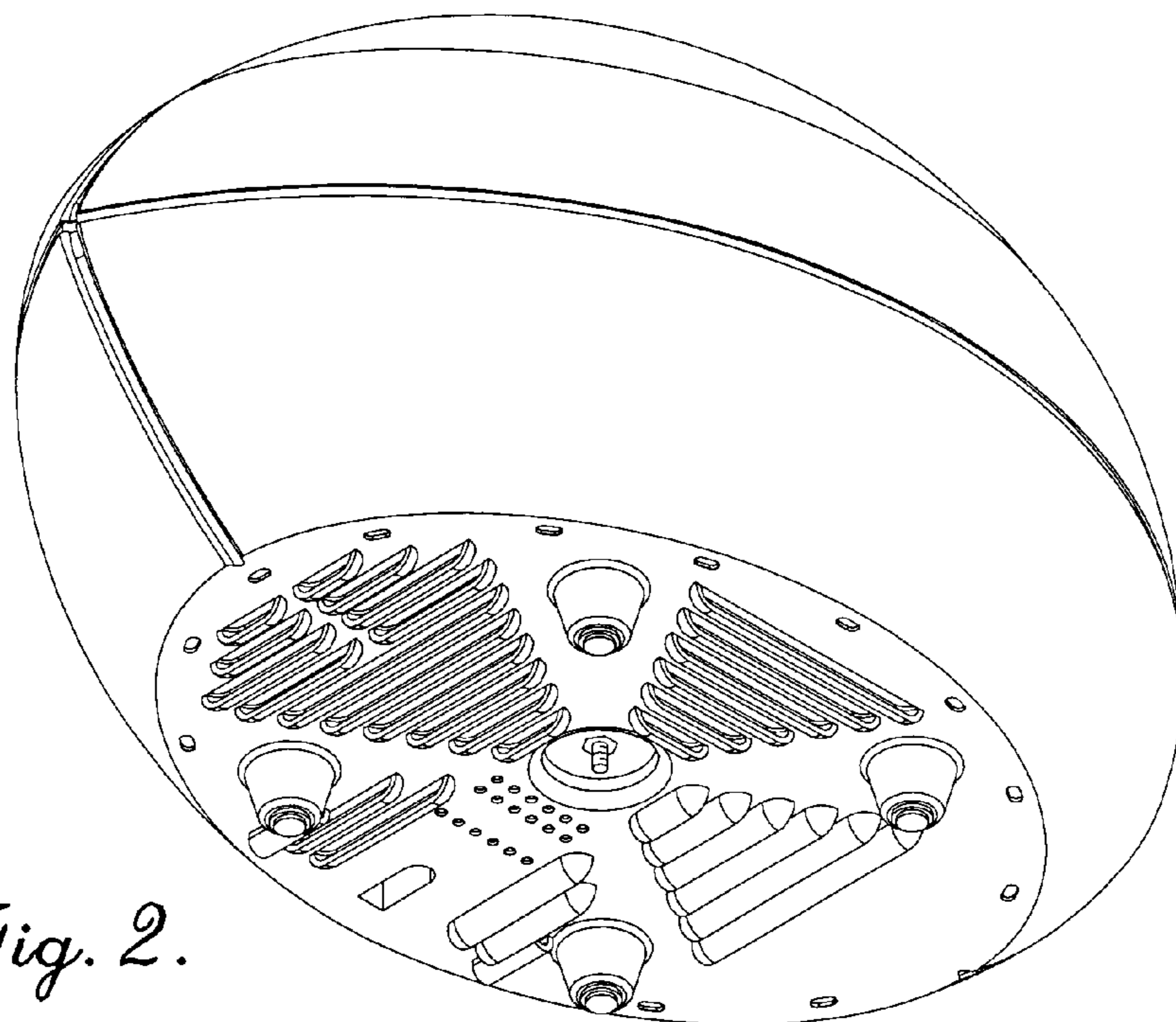


Fig. 2.

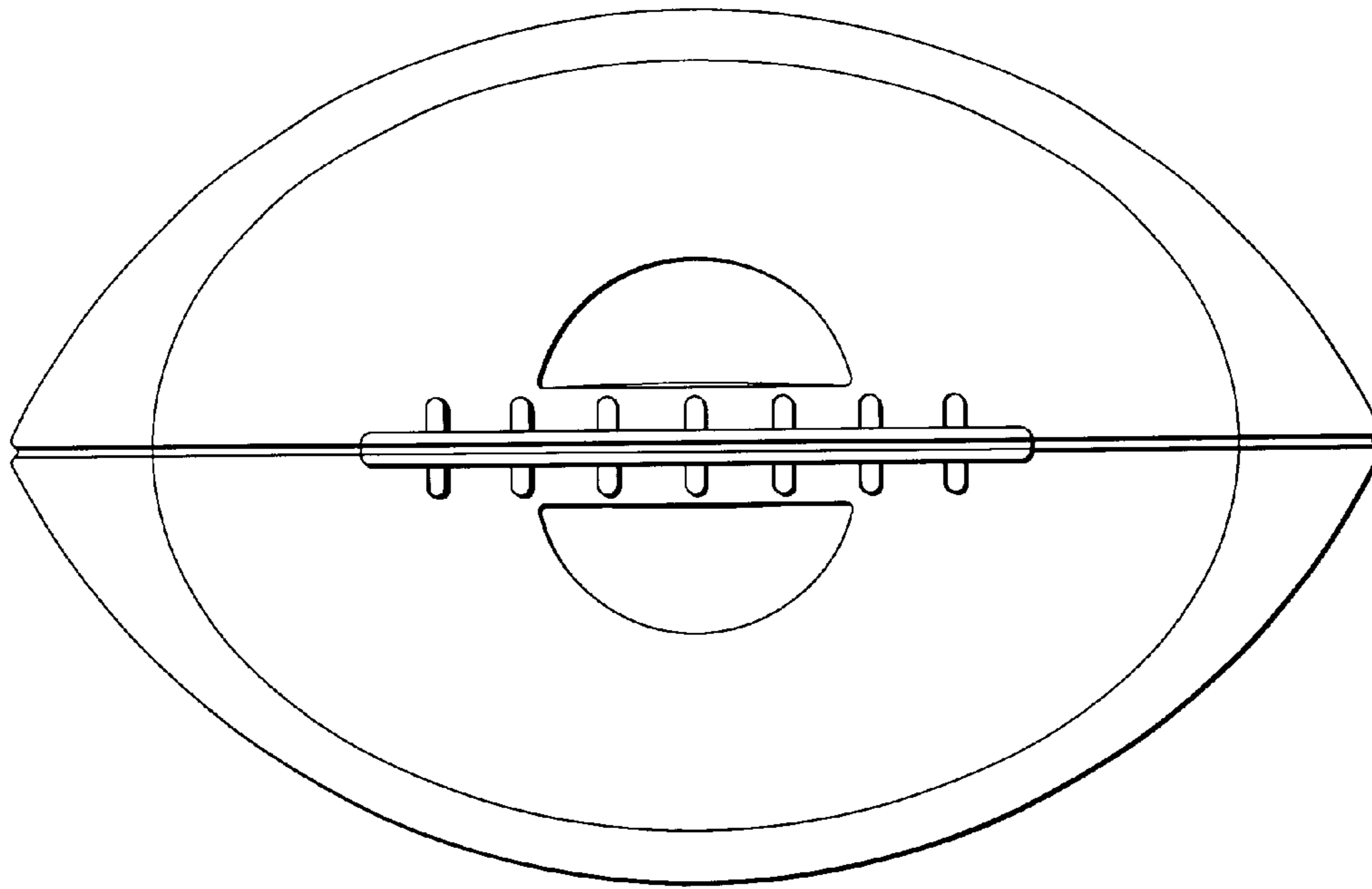


Fig. 3.

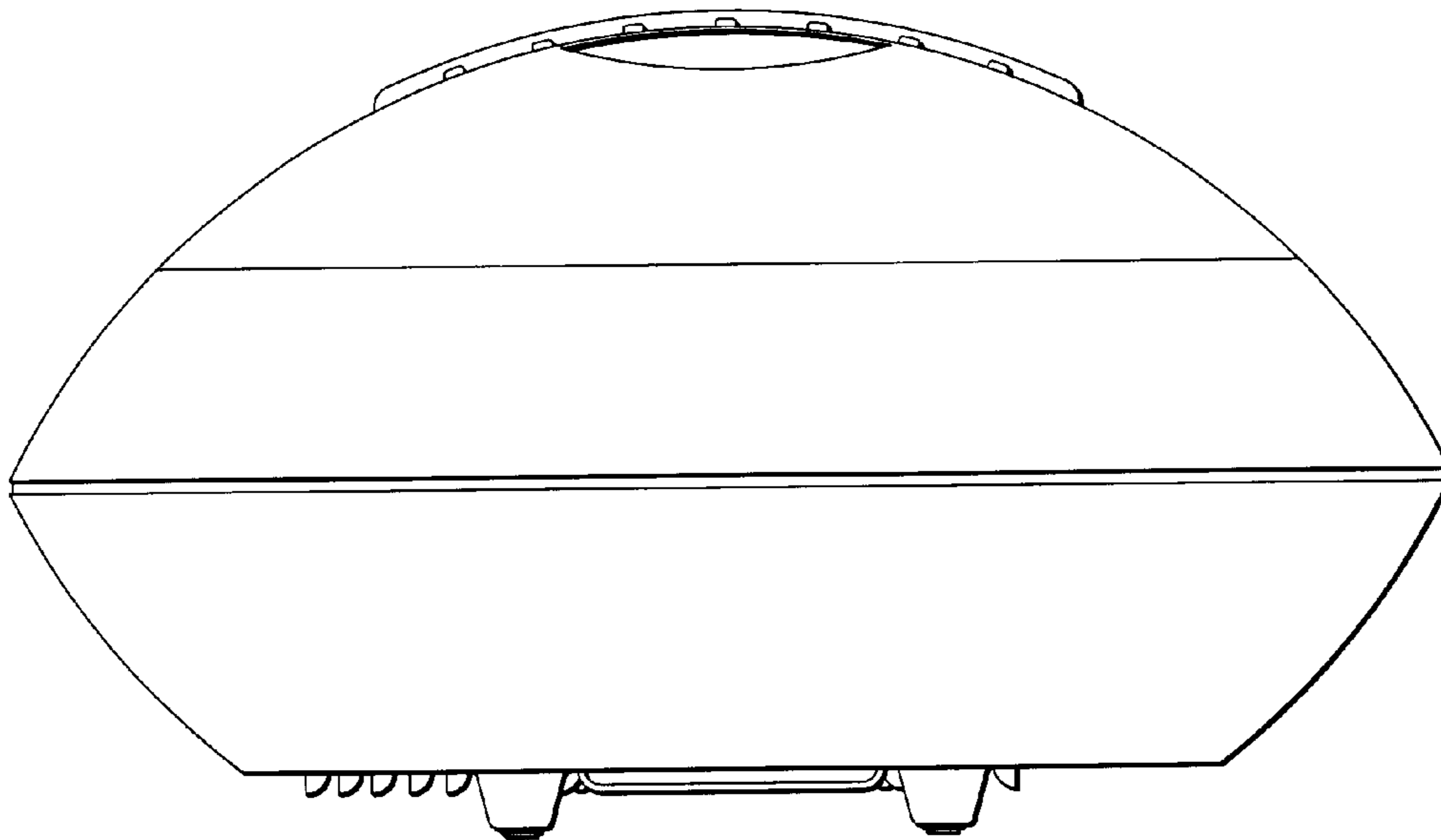


Fig. 4.

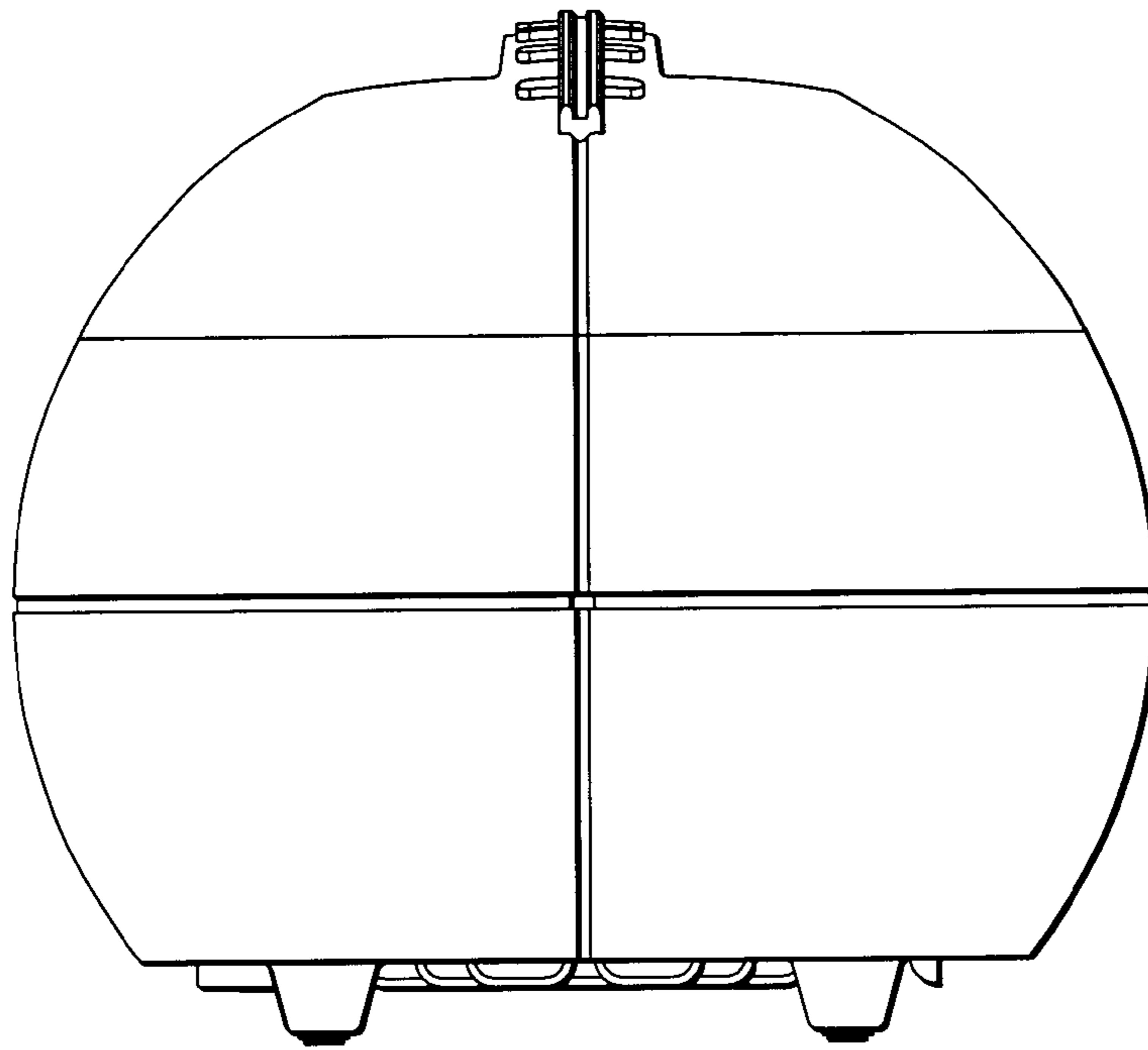


Fig. 5.

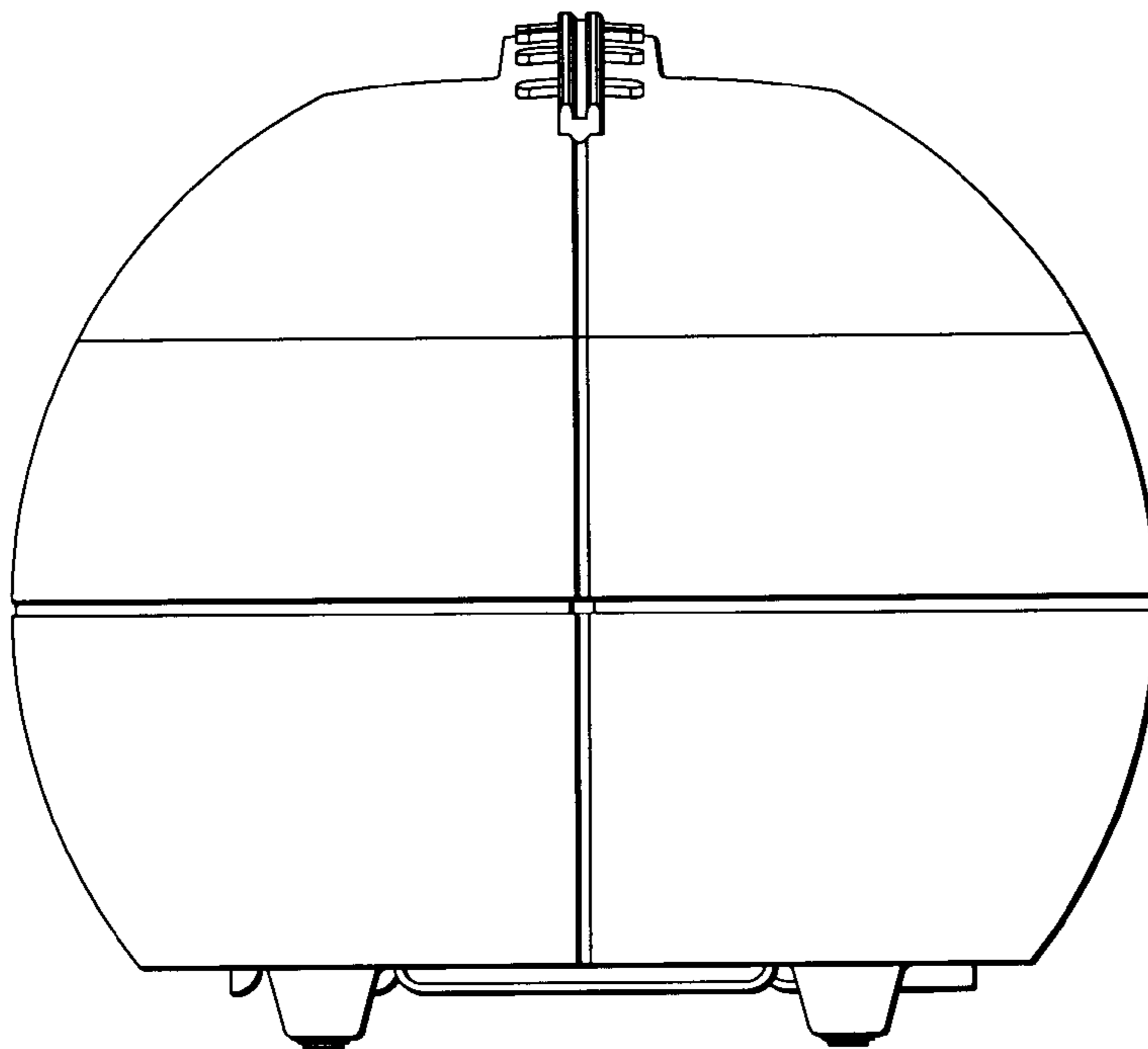


Fig. 6.

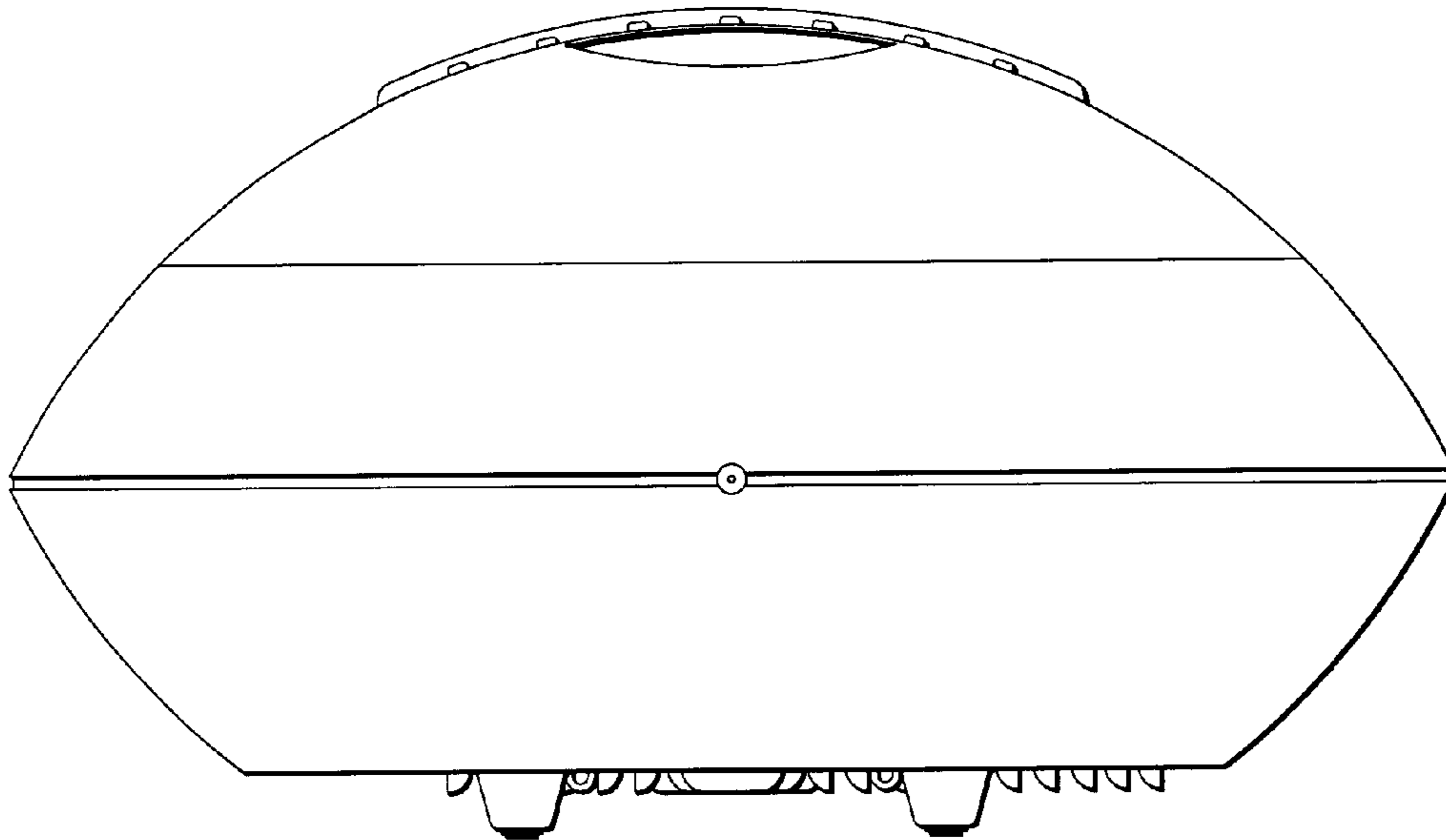


Fig. 7.

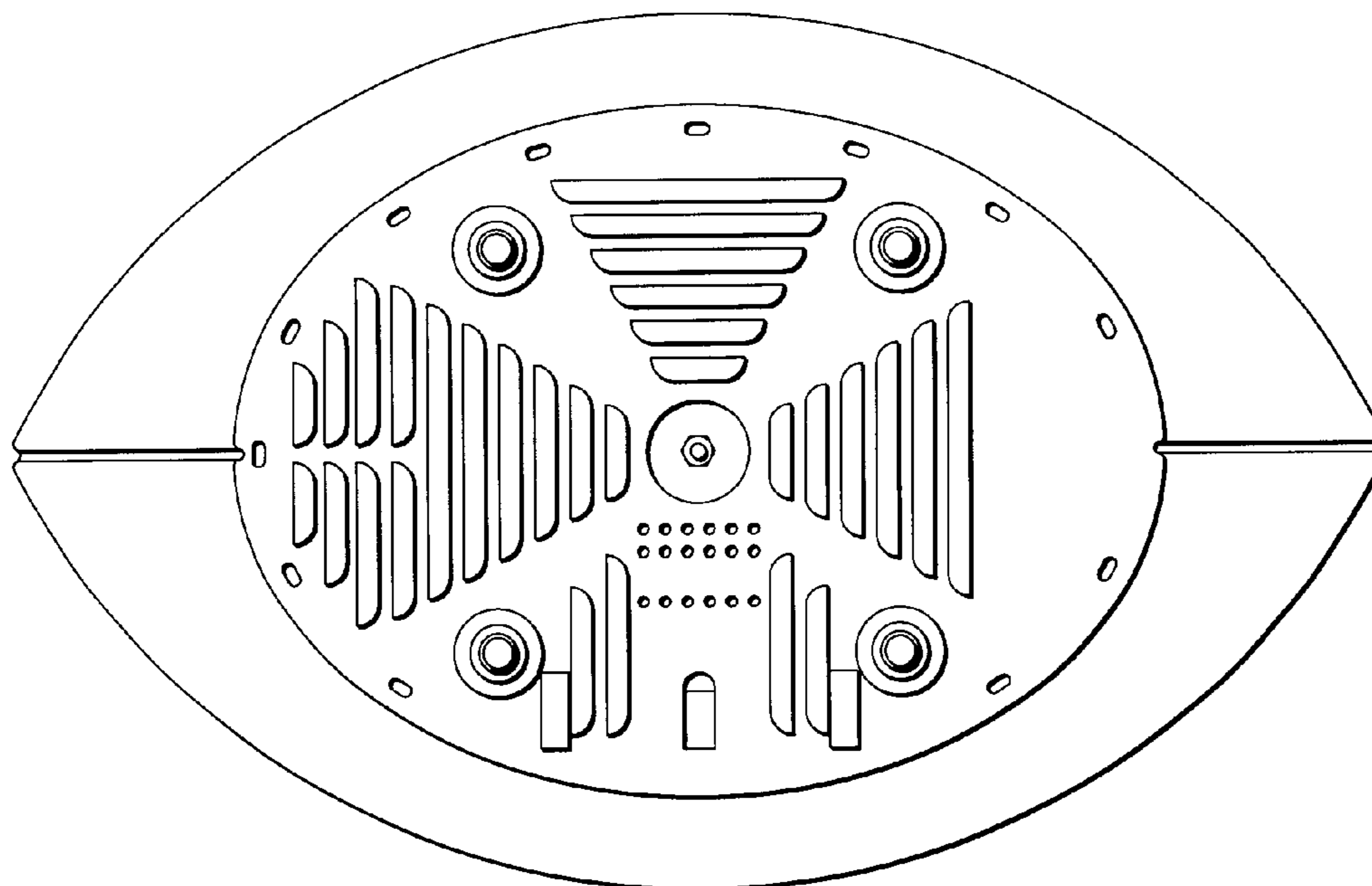


Fig. 8.