



US00D517853S

(12) **United States Design Patent**
Mata, Jr.

(10) **Patent No.: US D517,853 S**
(45) **Date of Patent: ** Mar. 28, 2006**

(54) **BARBEQUE GRILL HAVING PIRATE
TREASURE CHEST APPEARANCE**

(76) Inventor: **Manuel Mata, Jr.**, 5201 S. Maple Ave.,
Fresno, CA (US) 93725

(**) Term: **14 Years**

(21) Appl. No.: **29/212,670**

(22) Filed: **Sep. 2, 2004**

(51) **LOC (8) Cl.** **07-02**

(52) **U.S. Cl.** **D7/332**

(58) **Field of Classification Search** D7/332,
D7/334-337, 354-355, 361-367, 402-405,
D7/417; 126/9 R, 9 B, 13, 2, 25 R, 25 B,
126/26, 29, 37 R-38, 40, 41 R, 50, 218,
126/260, 262, 274, 304 R, 305, 350.1, 375.1,
126/506; 99/422, 447, 450; 219/451.1, 452.11,
219/455.11, 385, 520, 450.1; 431/203
See application file for complete search history.

(56) **References Cited**

U.S. PATENT DOCUMENTS

1,199,605 A * 9/1916 Potter 126/29
D323,444 S * 1/1992 Masters D7/332
D381,868 S * 8/1997 Schmitt et al. D7/402
D447,000 S * 8/2001 Knowles D7/402
D465,378 S * 11/2002 Hermansen et al. D7/332

D481,904 S * 11/2003 Mak D7/337
2002/0179081 A1 * 12/2002 Holland et al. 126/25 R

* cited by examiner

Primary Examiner—Ruth McInroy

(74) *Attorney, Agent, or Firm*—Richard A. Ryan

(57) **CLAIM**

The ornamental design for a barbeque grill having pirate treasure chest appearance, as shown and described.

DESCRIPTION

FIG. 1 is a front-right-top perspective view of a barbeque grill having pirate treasure chest appearance showing my new design;

FIG. 2 is a top plan view thereof;

FIG. 3 is a front elevation view thereof;

FIG. 4 is a rear elevation view thereof;

FIG. 5 is a right side elevation view thereof;

FIG. 6 is a left side elevation view thereof;

FIG. 7 is a front-right-top perspective view of a second embodiment thereof;

FIG. 8 is a top plan view of FIG. 7;

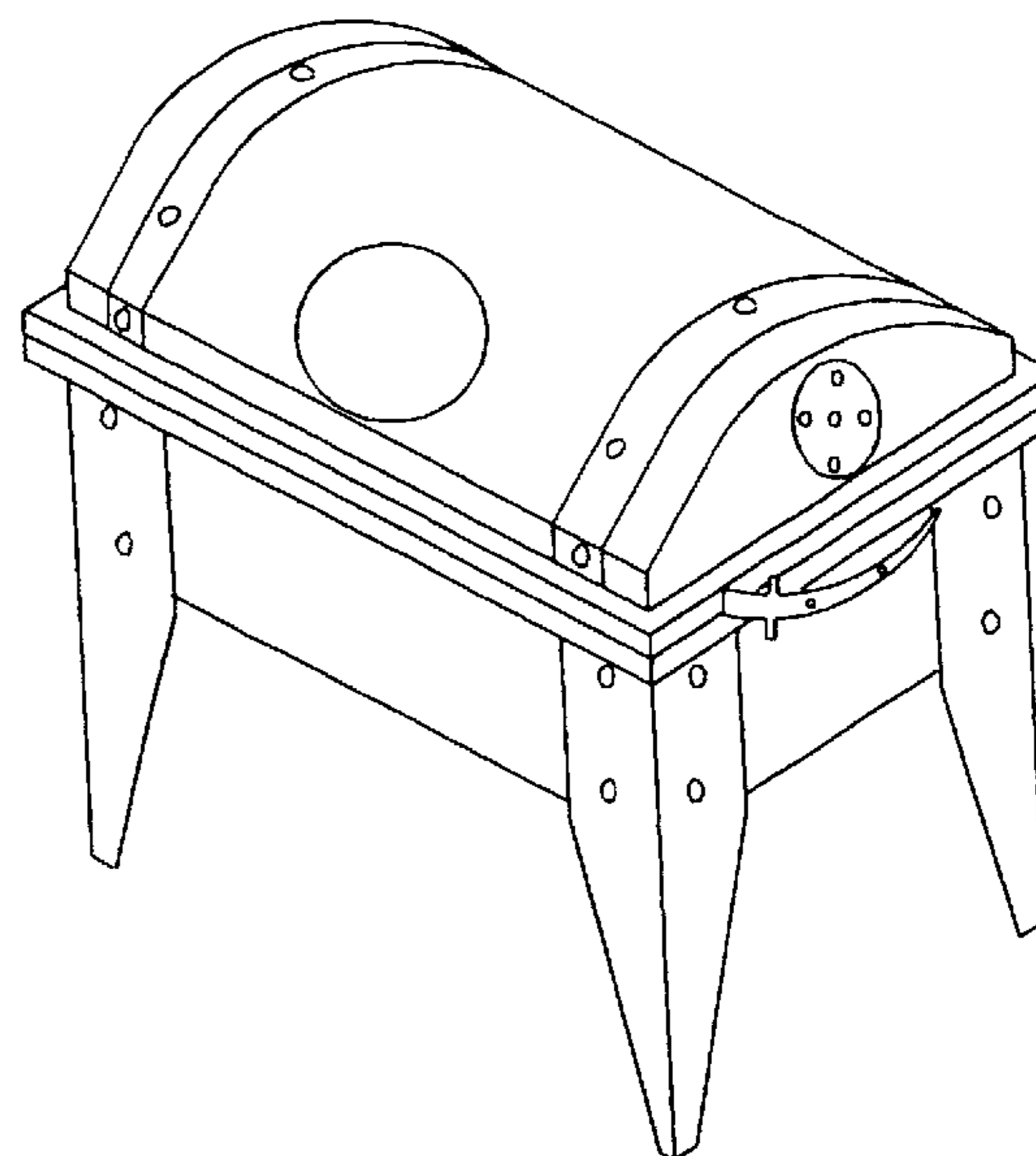
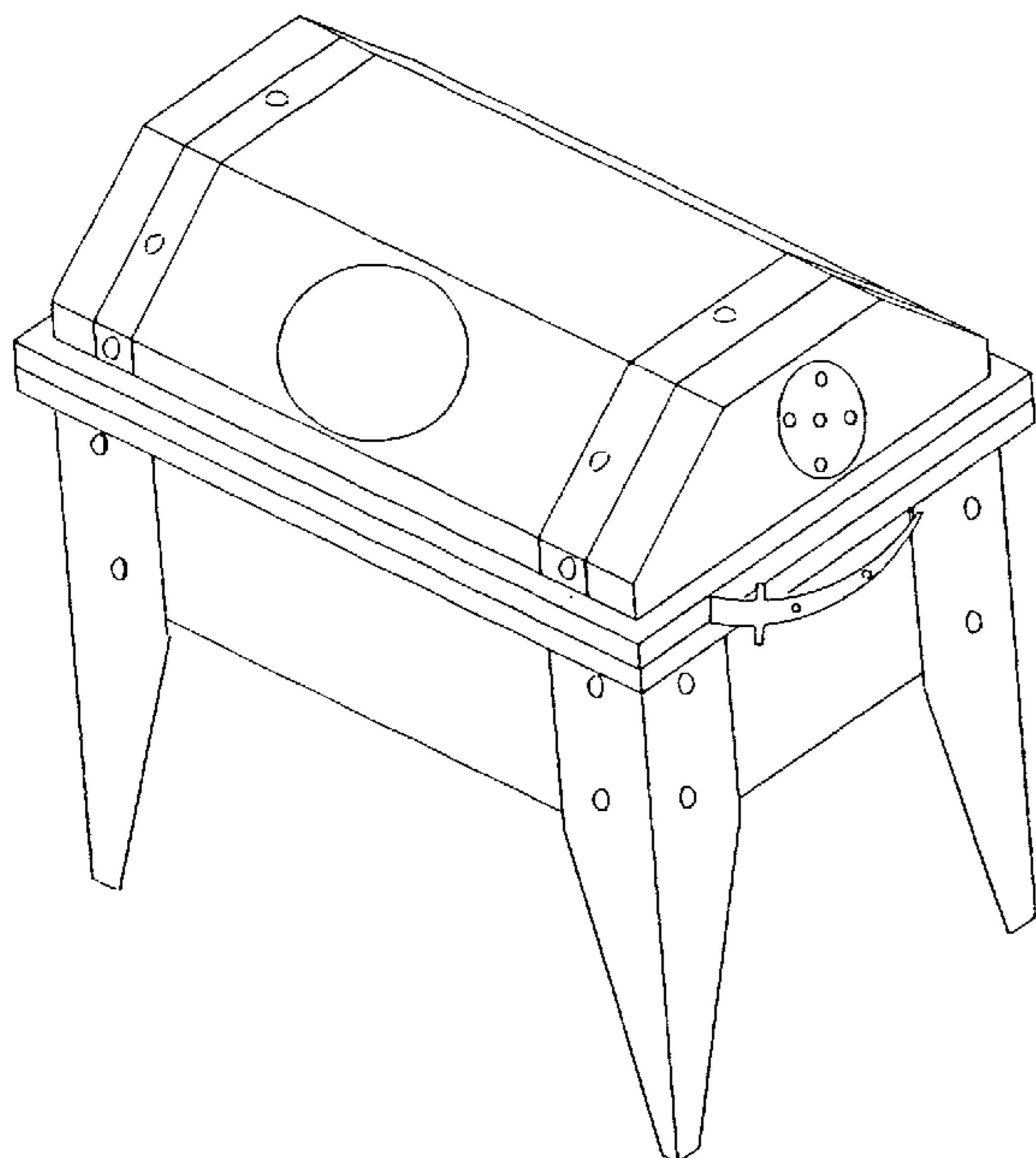
FIG. 9 is a front elevation view of FIG. 7;

FIG. 10 is a rear elevation view of FIG. 7;

FIG. 11 is a right side elevation view of FIG. 7; and,

FIG. 12 is a left side elevation view of FIG. 7.

1 Claim, 6 Drawing Sheets



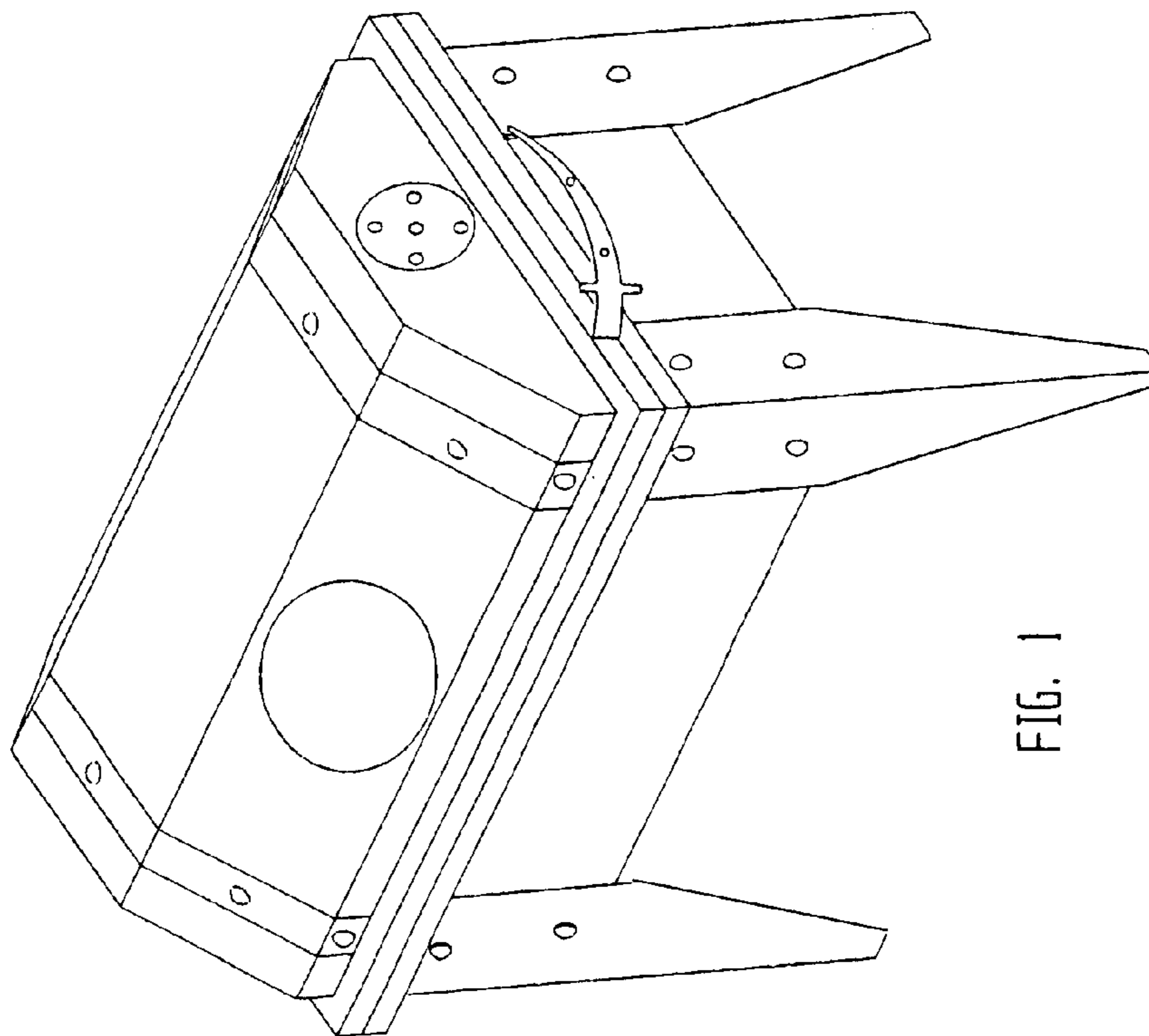


FIG. 1

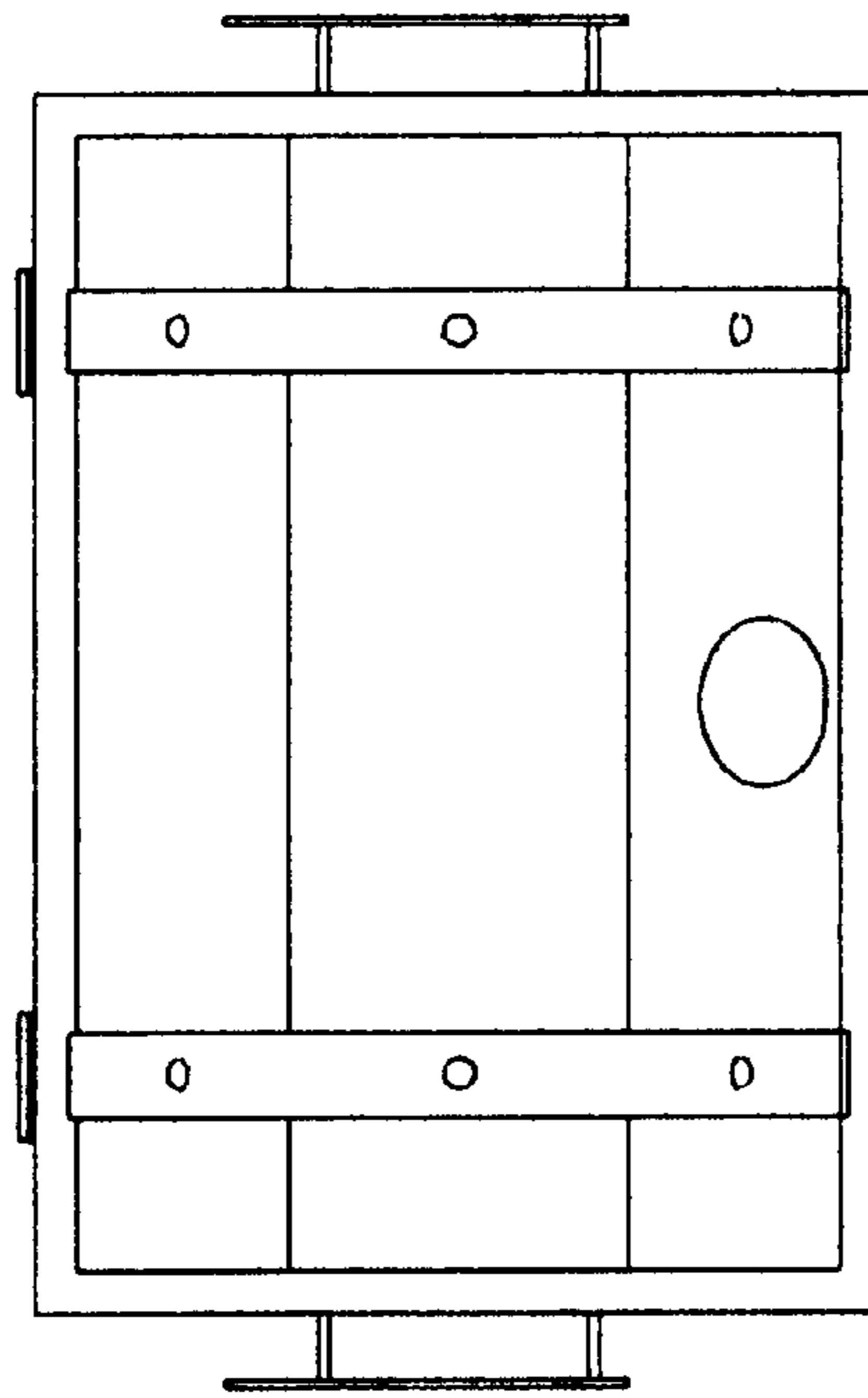


FIG. 2

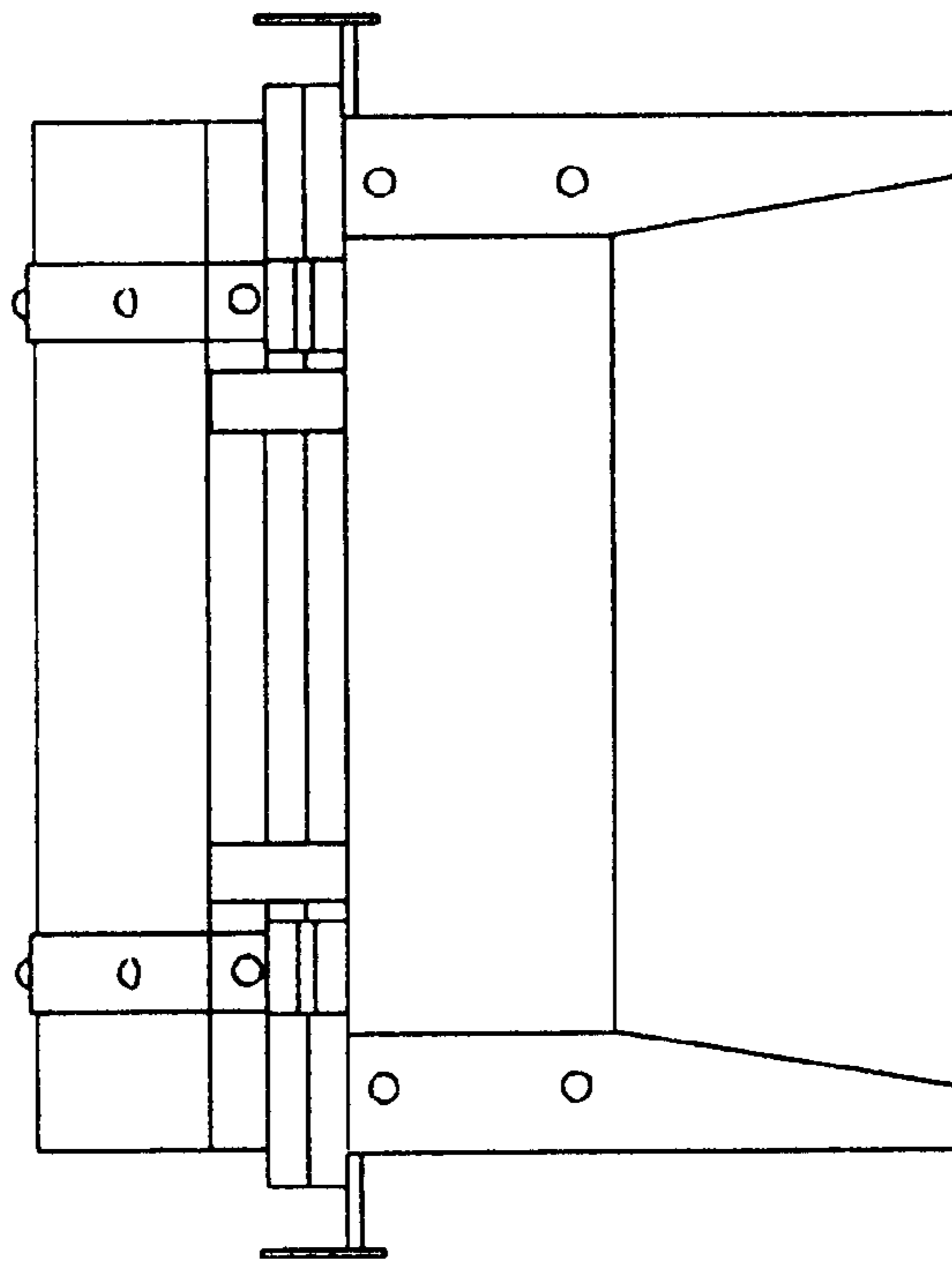


FIG. 4

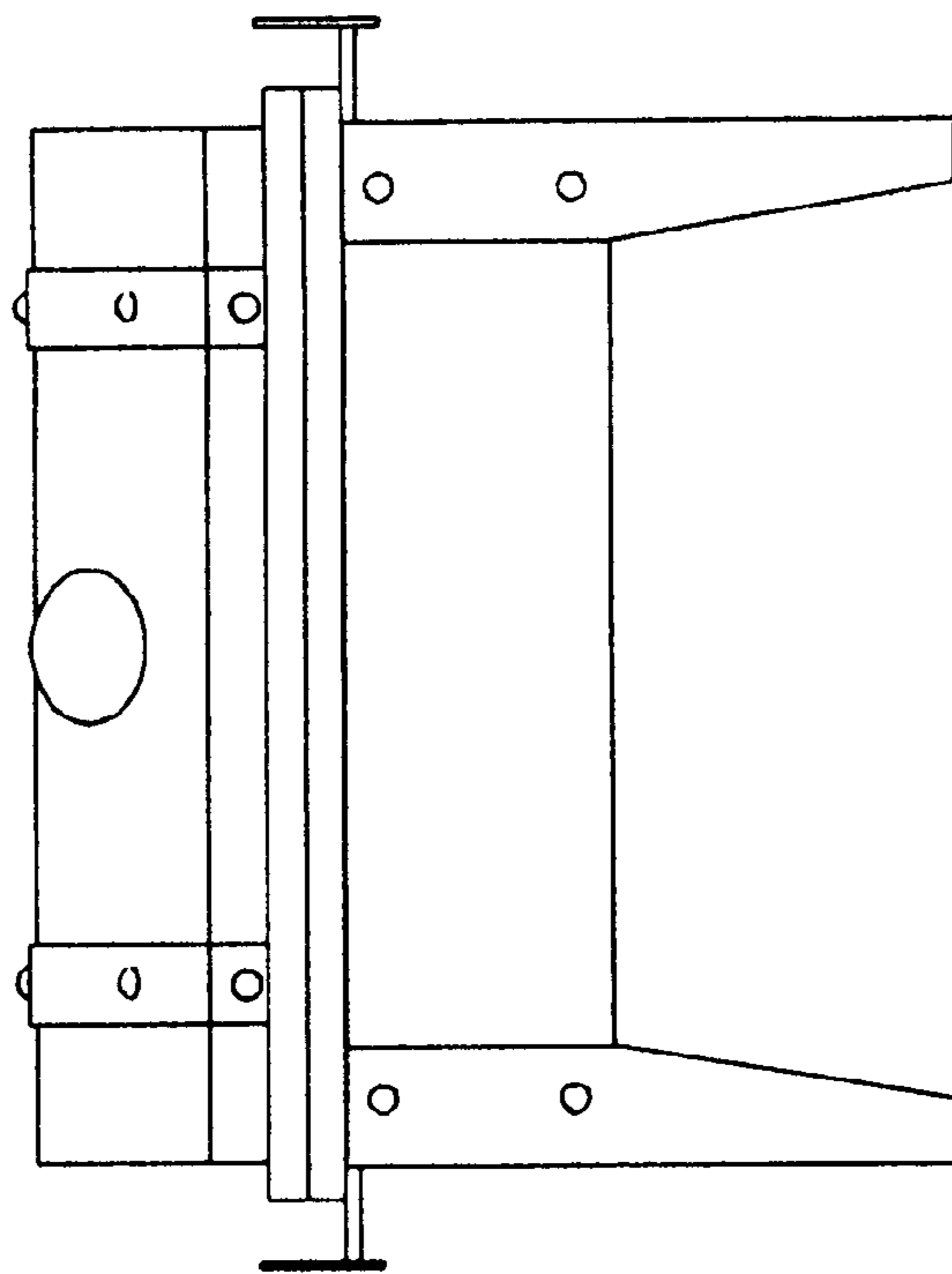


FIG. 3

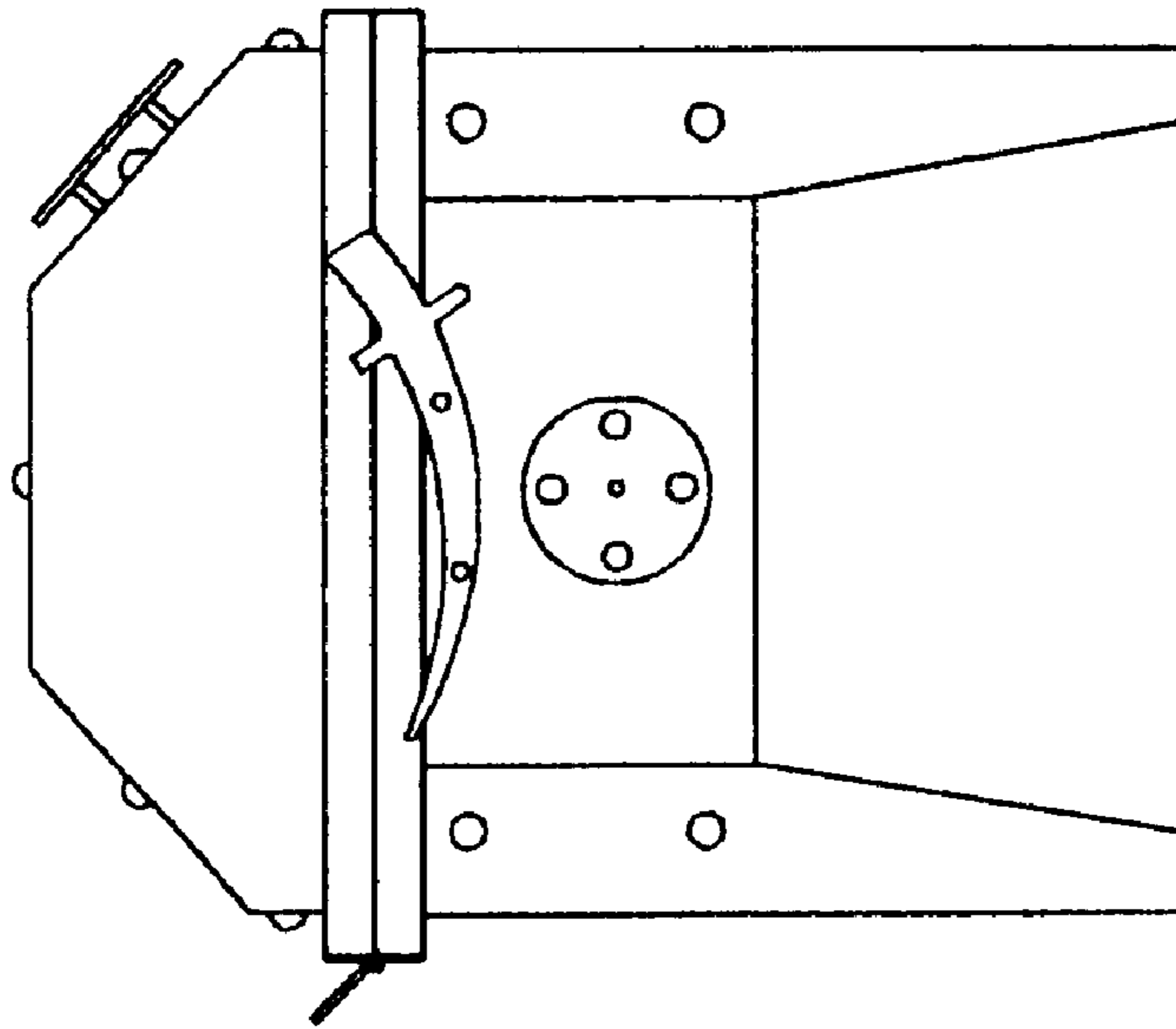


FIG. 6

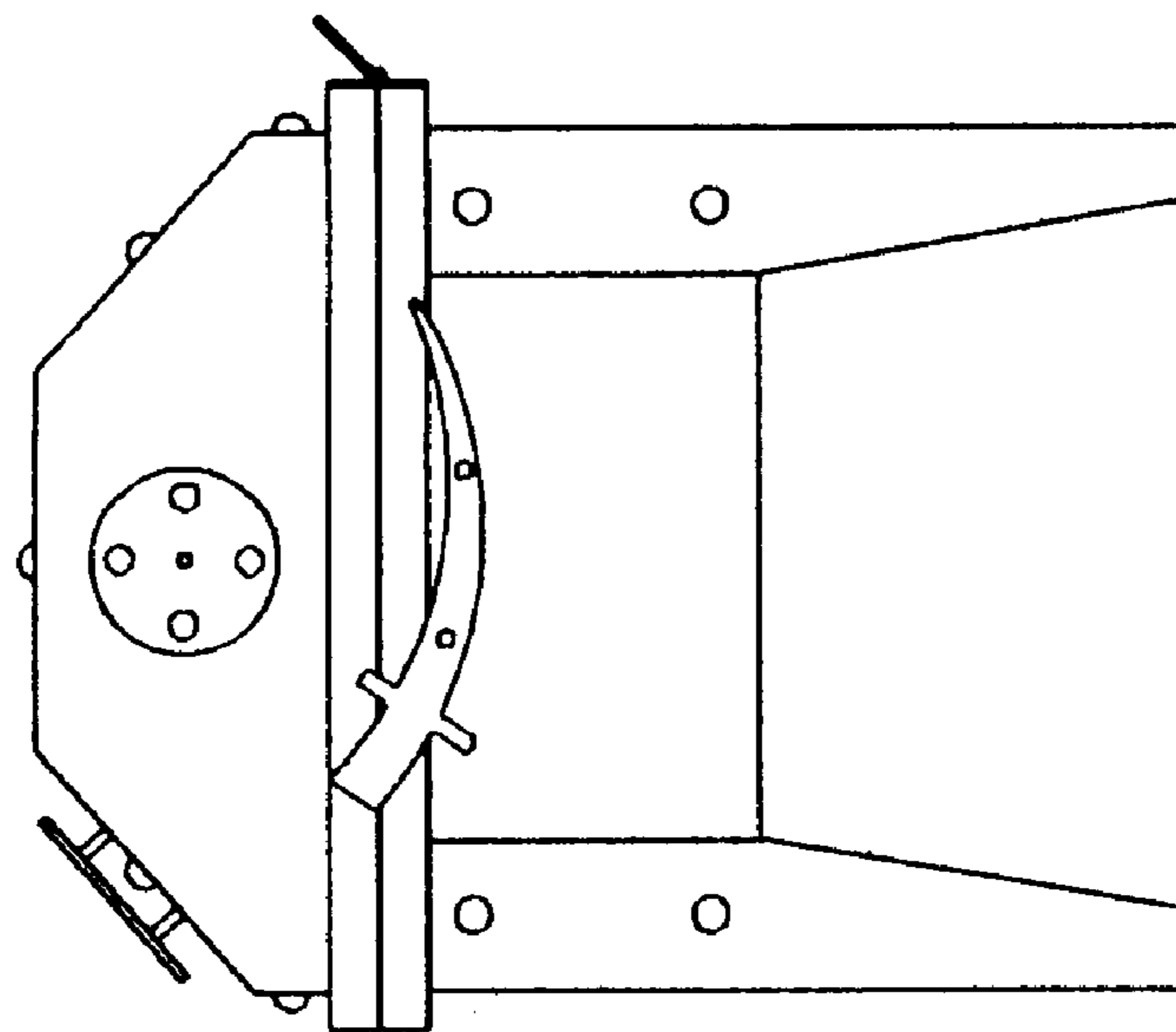


FIG. 5

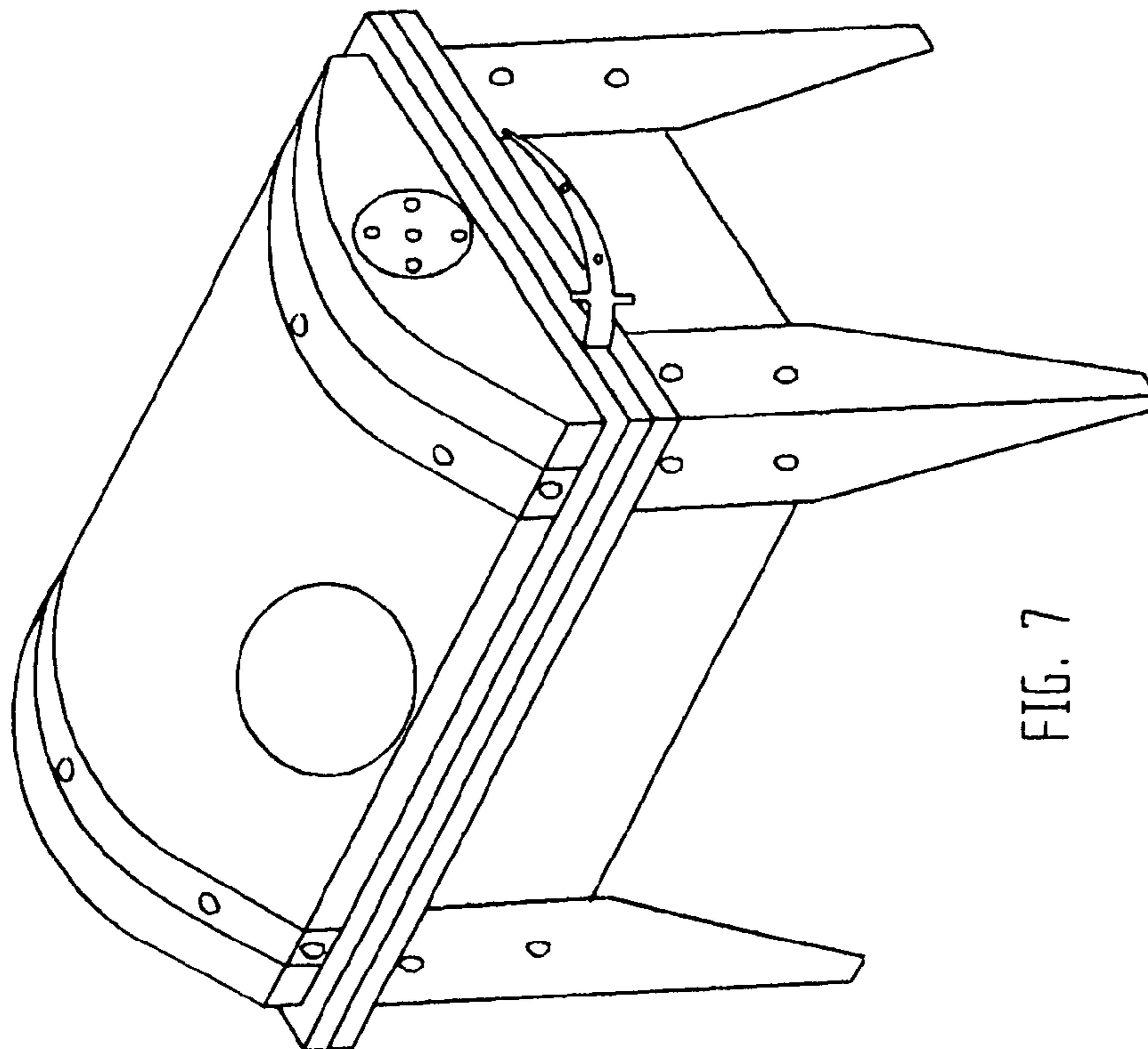


FIG. 7

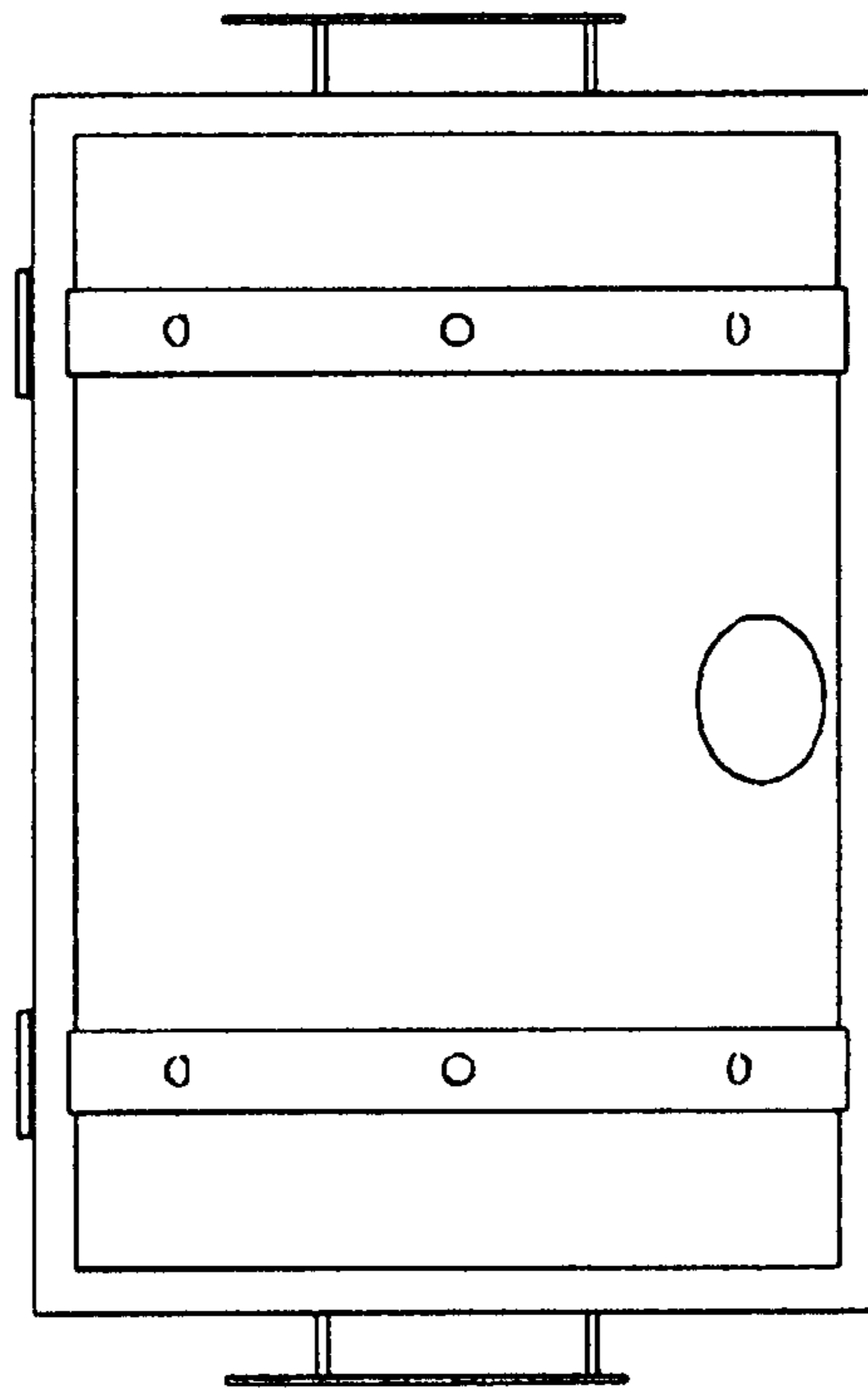


FIG. 8

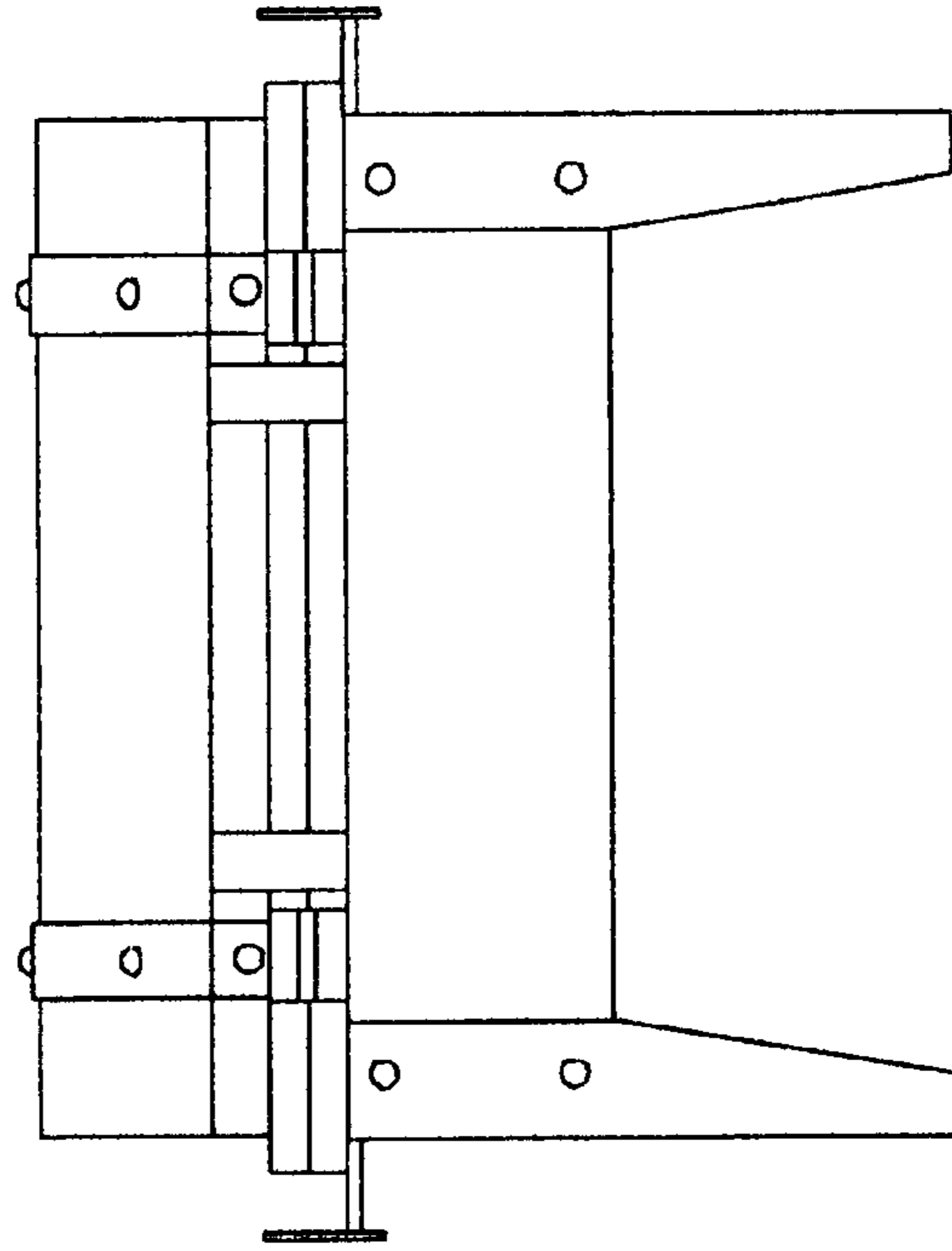


FIG. 10

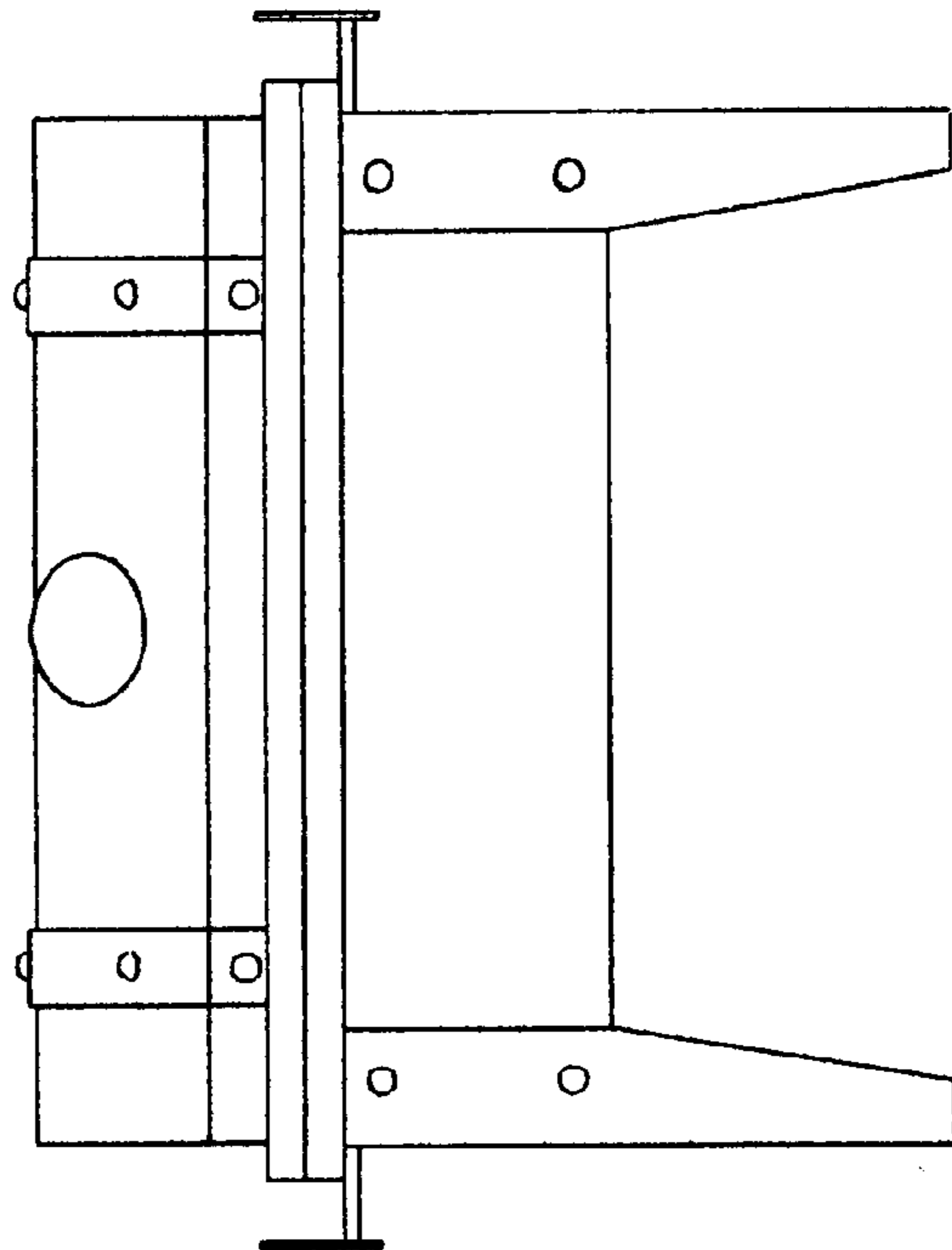


FIG. 9

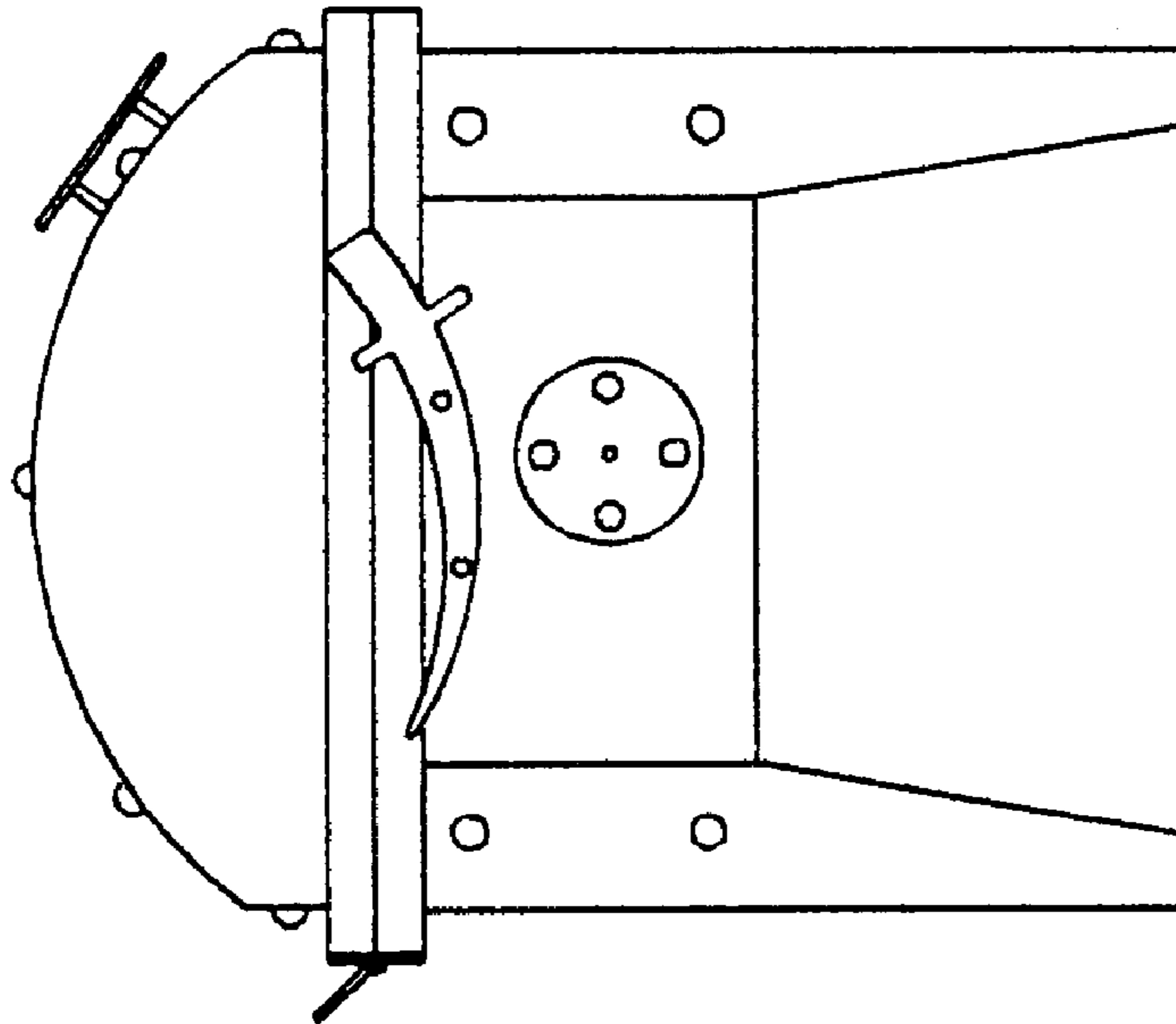


FIG. 11

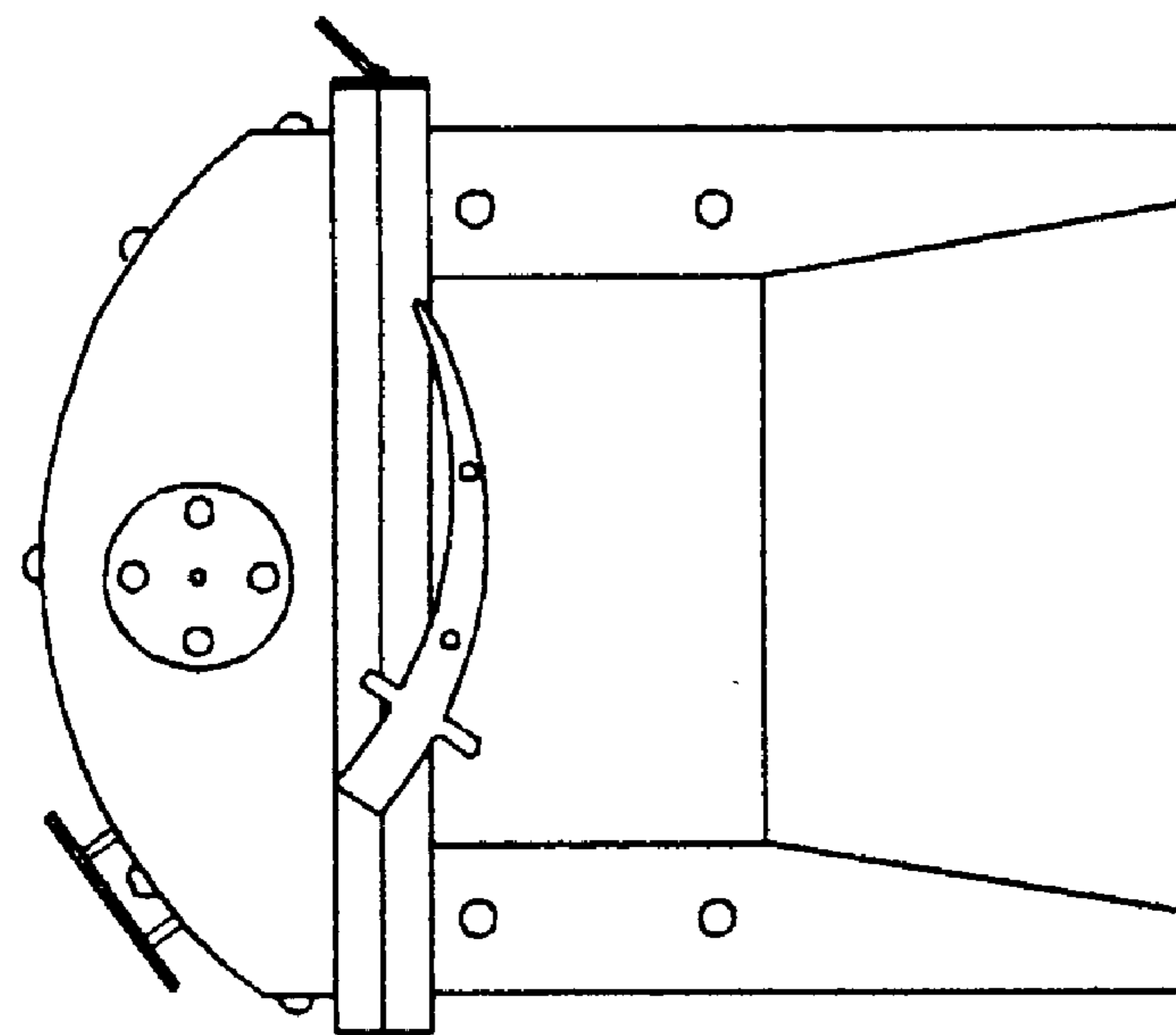


FIG. 12