

US00D517851S

(12) **United States Design Patent**
Deitzler

(10) **Patent No.:** **US D517,851 S**

(45) **Date of Patent:** **** Mar. 28, 2006**

- (54) **PROTECTIVE COVER FOR CONTAINING AND READING A COMPACT DISC**
- (76) Inventor: **Michael Deitzler**, 16156 el Evado Rd., Victorville, CA (US) 92394
- (**) Term: **14 Years**
- (21) Appl. No.: **29/211,207**
- (22) Filed: **Aug. 13, 2004**
- (51) **LOC (8) Cl.** **06-04**
- (52) **U.S. Cl.** **D6/632; D6/407**
- (58) **Field of Classification Search** D3/218, D3/270; D6/407, 626-635; 206/18, 307.1, 206/308.1, 308.2, 308.3, 309, 310, 311, 312, 206/313, 445, 749; 312/9.1, 902, 9.9, 9.48, 312/9.55, 9.64, 9.47, 9.53, 328; 360/133, 360/137; 369/13.53, 273; 720/719
See application file for complete search history.

- 6,077,583 A * 6/2000 Park 428/64.1
- 6,123,191 A * 9/2000 Dean 206/310
- 6,192,025 B1 * 2/2001 Chen 720/719
- D439,786 S * 4/2001 Myszka et al. D6/634
- D441,589 S * 5/2001 Hartstone D6/626
- D441,590 S * 5/2001 Hartstone D6/626
- 6,236,639 B1 * 5/2001 Selg et al. 720/728
- 6,241,087 B1 6/2001 Moorhouse, Sr.
- 6,243,356 B1 * 6/2001 Rubino, III 720/734
- D447,663 S * 9/2001 Myszka et al. D6/634
- D451,746 S * 12/2001 Ishii D6/627
- D452,628 S * 1/2002 Stauffer D6/632
- 6,385,164 B1 * 5/2002 Winicki 720/719
- 6,463,026 B1 * 10/2002 Anderson 720/719
- 6,480,463 B1 * 11/2002 Hunter et al. 720/719
- 6,667,953 B1 * 12/2003 Matson et al. 720/719
- 6,901,600 B1 * 5/2005 Liu 720/719
- 2003/0117937 A1 * 6/2003 Matson et al. 369/291
- 2003/0121806 A1 * 7/2003 Liu 206/308.1
- 2003/0150754 A1 * 8/2003 Saw 206/308.1

* cited by examiner

Primary Examiner—Celia A. Murphy

(74) *Attorney, Agent, or Firm*—Donald R. Schoonover

(56) **References Cited**

U.S. PATENT DOCUMENTS

- 1,303,299 A 5/1919 Hahl
- 3,961,656 A * 6/1976 Aggarwal 206/309
- 4,040,105 A * 8/1977 Slindee 360/99.12
- 4,385,335 A * 5/1983 Kiemer 360/137
- 4,433,410 A * 2/1984 Siryj et al. 720/737
- 4,542,495 A * 9/1985 Ziegler et al. 369/273
- 4,568,994 A * 2/1986 Lynch 360/133
- D293,507 S * 1/1988 Ogusu D14/479
- 4,736,840 A * 4/1988 Deiglmeier 206/308.1
- 4,850,731 A 7/1989 Youngs
- 4,879,710 A * 11/1989 Iijima 720/719
- 4,948,022 A 8/1990 VanDyke
- D323,061 S * 1/1992 Takahashi et al. D14/474
- 5,078,270 A 1/1992 Campbell
- 5,259,498 A 11/1993 Weisburn et al.
- RE34,710 E * 8/1994 Fujisawa et al. 369/13.53
- 5,377,825 A 1/1995 Sykes et al.
- 5,427,236 A 6/1995 Kramer
- 5,556,683 A 9/1996 Ranalli
- 5,590,114 A * 12/1996 Murphy 720/719
- 5,787,069 A * 7/1998 Lowe et al. 720/719

(57) **CLAIM**

I claim the ornamental design for an protective cover for containing and reading a compact disc, as shown and described.

DESCRIPTION

FIG. 1 is a bottom and side perspective view of an protective cover for containing and reading a compact disc showing my new design;

FIG. 2 is a bottom plan view thereof;

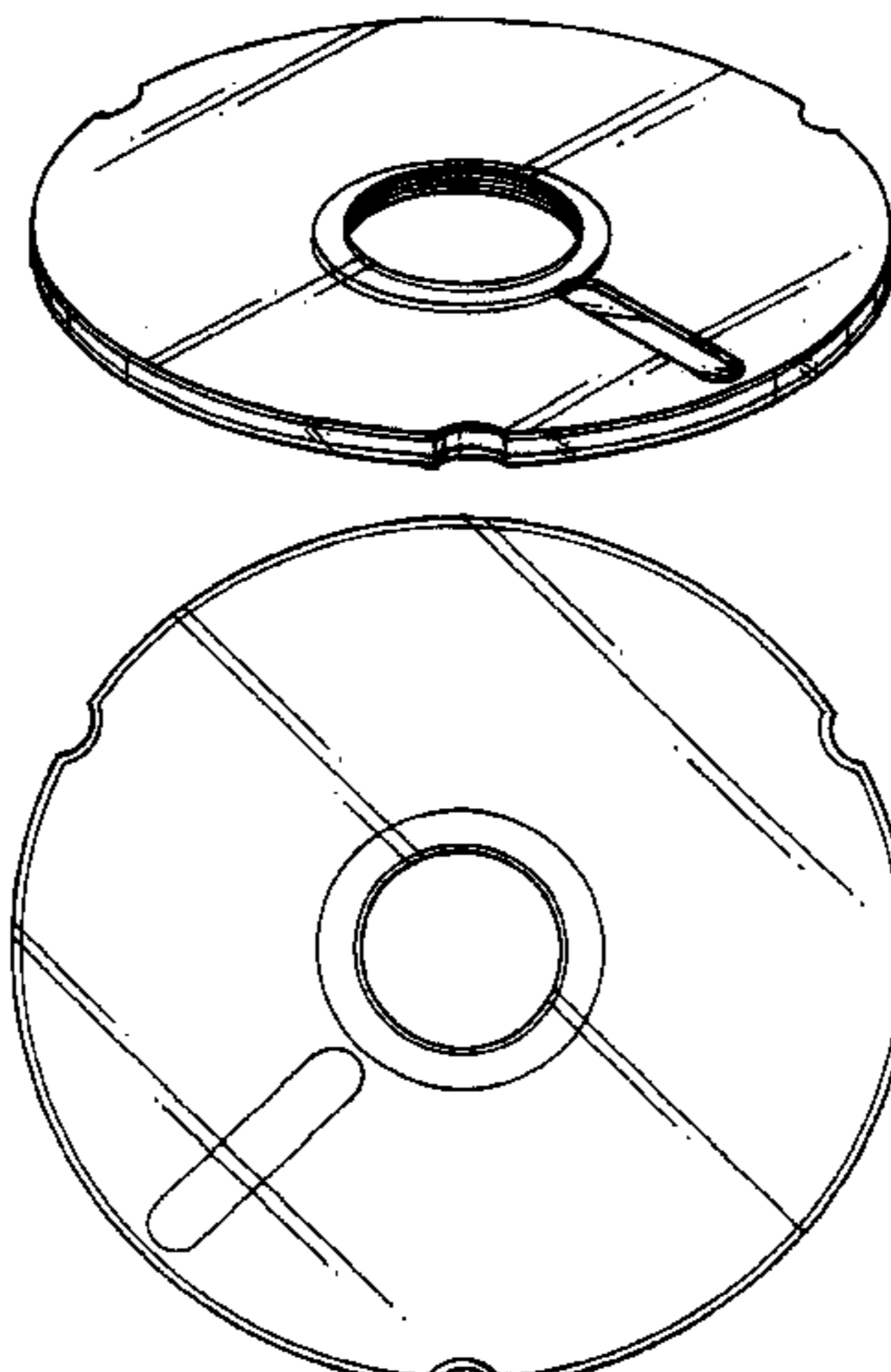
FIG. 3 is a top plan view thereof;

FIG. 4 is a side elevational view thereof taken from the bottom of FIG. 2;

FIG. 5 is a side elevational view thereof taken from the top of FIG. 2; and,

FIG. 6 is a side elevational view thereof taken from the right side of FIG. 3, the side elevational view taken from the left side of FIG. 3 is a mirror image thereof.

1 Claim, 3 Drawing Sheets



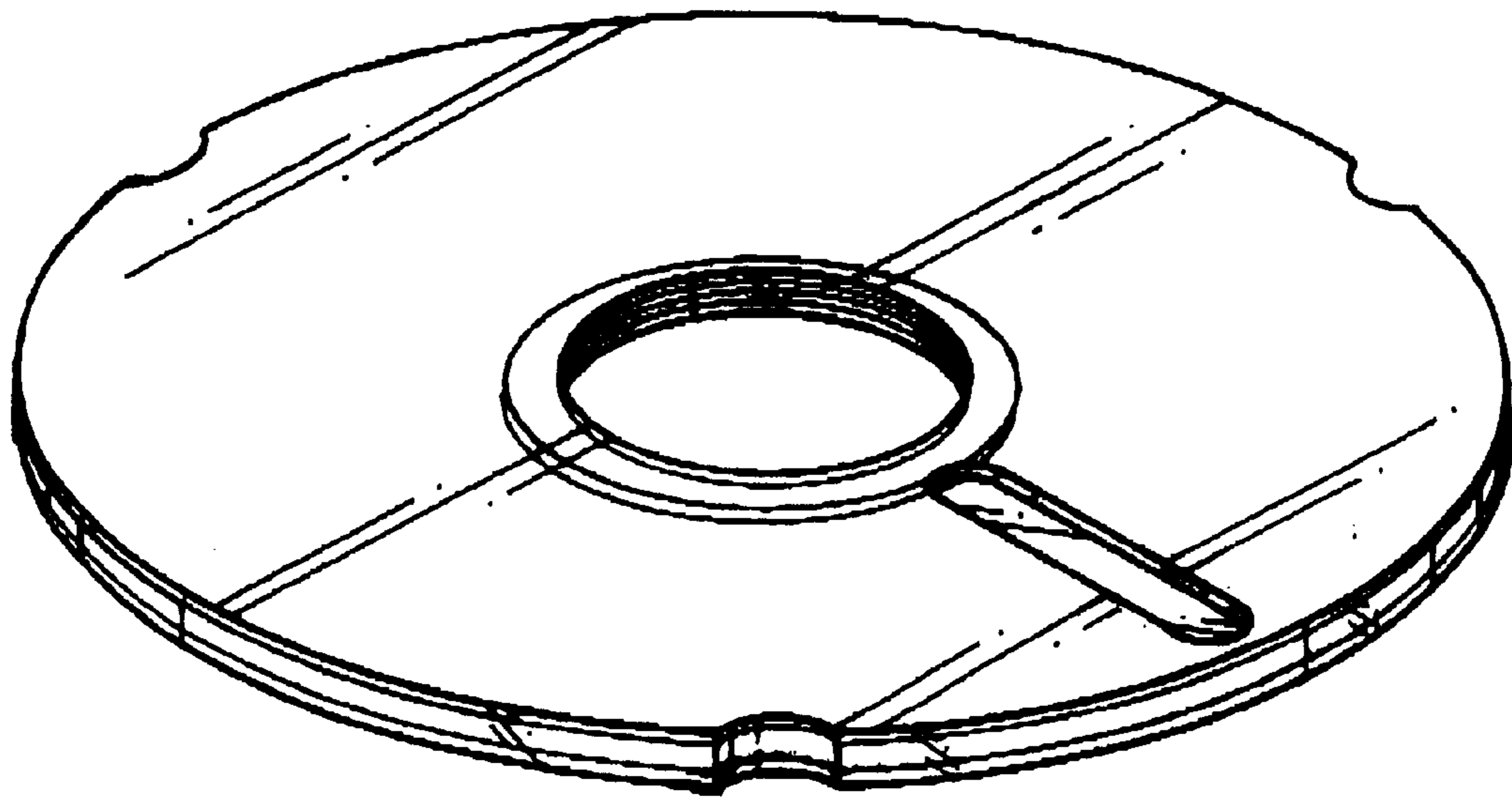


FIG. 1.

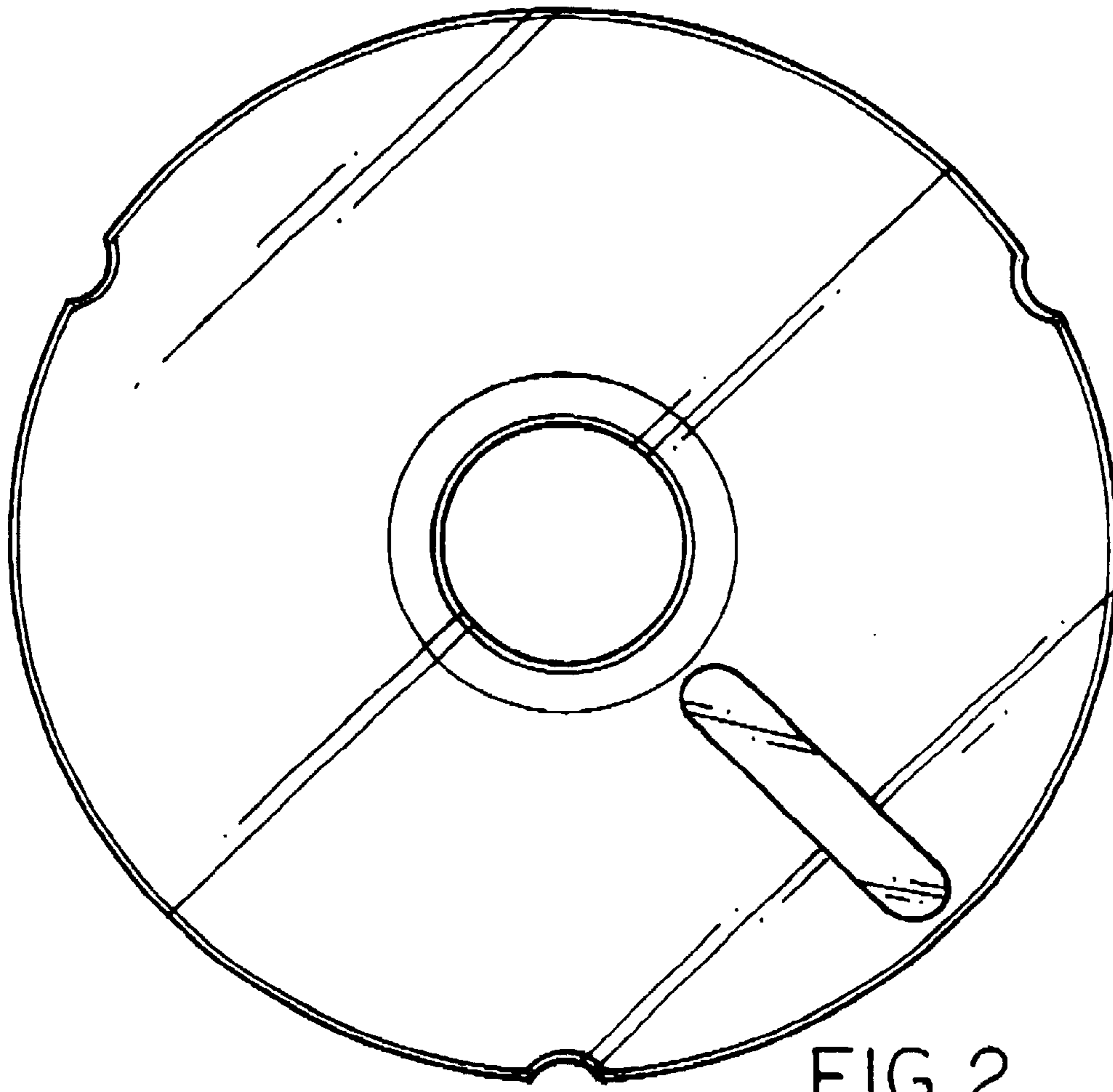


FIG. 2.



FIG. 4.



FIG. 5

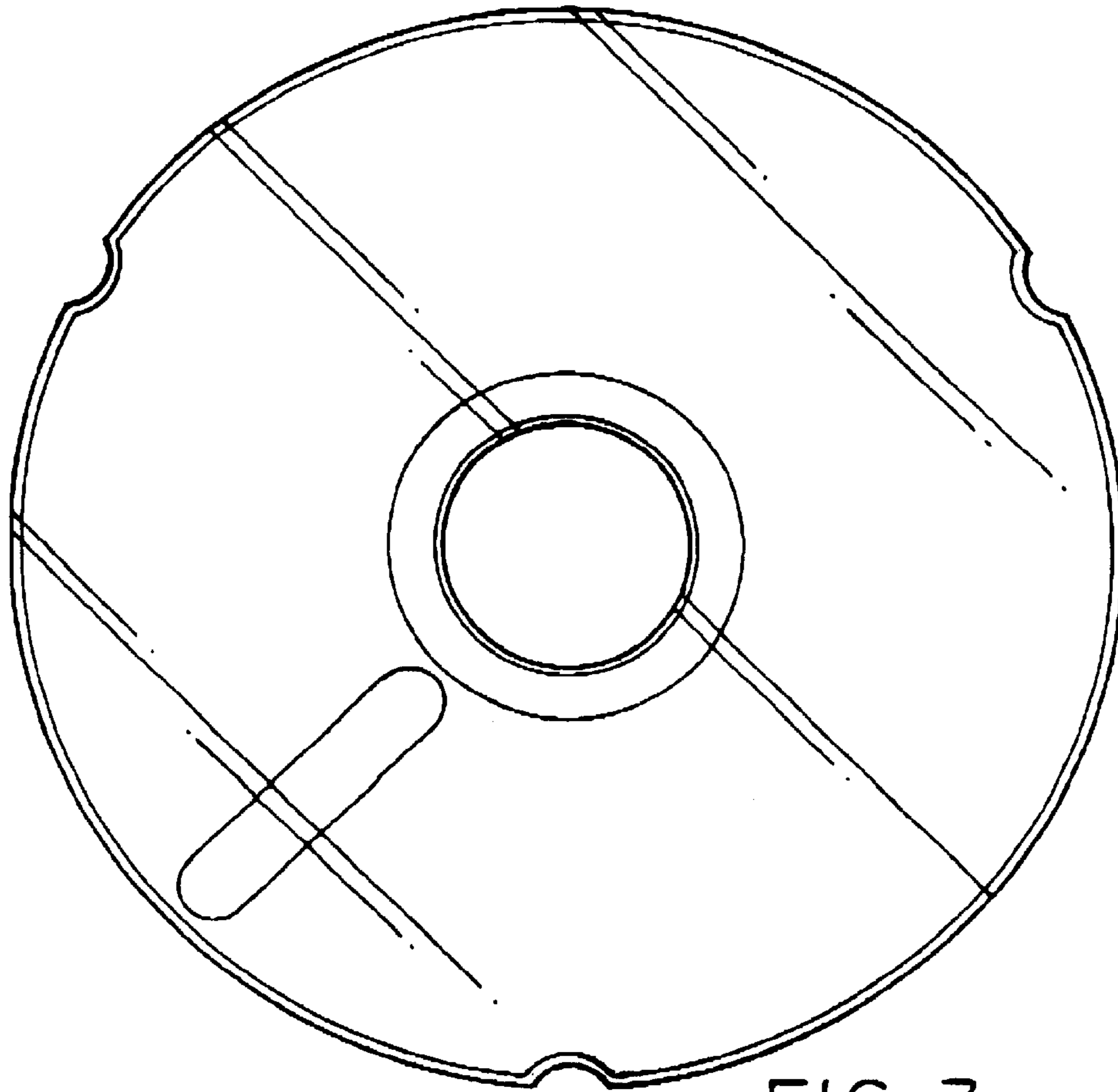


FIG. 3.



FIG. 6.