



US00D517850S

(12) **United States Design Patent**
Goto

(10) **Patent No.:** **US D517,850 S**

(45) **Date of Patent:** **** Mar. 28, 2006**

(54) **CASE FOR A DISC CARTRIDGE**

2005/0092628 A1 * 5/2005 Chang 206/308.1

(75) Inventor: **Teiyu Goto**, Tokyo (JP)

* cited by examiner

(73) Assignee: **Sony Computer Entertainment Inc.**,
Tokyo (JP)

Primary Examiner—Celia A. Murphy

(74) *Attorney, Agent, or Firm*—Rader Fishman & Grauer
PLLC

(**) Term: **14 Years**

(57) **CLAIM**

(21) Appl. No.: **29/213,849**

The ornamental design for a case for a disc cartridge, as shown and described.

(22) Filed: **Sep. 24, 2004**

(30) **Foreign Application Priority Data**

DESCRIPTION

Mar. 26, 2004 (JP) D2004-009217

(51) **LOC (8) Cl.** **08-04**

(52) **U.S. Cl.** **D6/629; D6/407; D6/632;**
D6/635

(58) **Field of Classification Search** D3/218,
D3/270; D6/407, 626–635; 206/18, 307.1,
206/308.1, 308.2, 308.3, 309, 310, 311, 312,
206/313, 445, 749; 312/9.1, 902, 9.9, 9.48,
312/9.55, 9.64, 9.47, 9.53, 328

See application file for complete search history.

FIG. 1 is a front elevational view of a case for a disc cartridge showing my new design;

FIG. 2 is a rear elevational view thereof;

FIG. 3 is a left side elevational view thereof;

FIG. 4 is a right side elevational view thereof;

FIG. 5 is a top plan view thereof;

FIG. 6 is a bottom plan view thereof.

FIG. 7 is a front elevational view thereof;

FIG. 8 is a cross-sectional view taken along line VIII–VIII'–VIII''–VIII''' of FIG. 7;

FIG. 9 is a cross sectional view taken along line IX–IX'–IX''–IX'''–IX''''–IX''''' of FIG. 7;

FIG. 10 is an enlarged cross-sectional view taken along lines X–X and X'–X' of FIG. 8;

FIG. 11 is an enlarged cross-sectional view taken along lines XI–XI and XI'–XI' of FIG. 9;

FIG. 12 is an enlarged cross-sectional view taken along lines XII–XII and XII'–XII' of FIG. 7;

FIG. 13 is a front elevational view of the case for a disc cartridge as seen in a closed position;

FIG. 14 is a right side elevational view of FIG. 13; and,

FIG. 15 is a cross-sectional view taken along line XV–XV of FIG. 13.

Portions of the figures that are shown as broken lines are for illustrative purpose only and form no part of the claimed design.

(56) **References Cited**

U.S. PATENT DOCUMENTS

D271,726 S	*	12/1983	Drake	D6/631
D324,337 S	*	3/1992	Brady	D6/634
5,290,118 A	*	3/1994	Ozeki	402/79
D378,333 S		3/1997	Anderson		
D411,071 S	*	6/1999	Cerda-Vicedo	D6/632
D433,461 S	*	11/2000	Goto	D21/330
D452,105 S	*	12/2001	Chan	D6/635
D455,312 S	*	4/2002	Myszka et al.	D6/629
D455,595 S	*	4/2002	Ikeda et al.	D6/632
D470,707 S	*	2/2003	Lopez Mas	D6/634
D474,935 S		5/2003	Goto		
D495,551 S	*	9/2004	Goto	D6/631
D501,209 S	*	1/2005	Goto	D14/478
D501,482 S	*	2/2005	Goto	D14/478

1 Claim, 9 Drawing Sheets

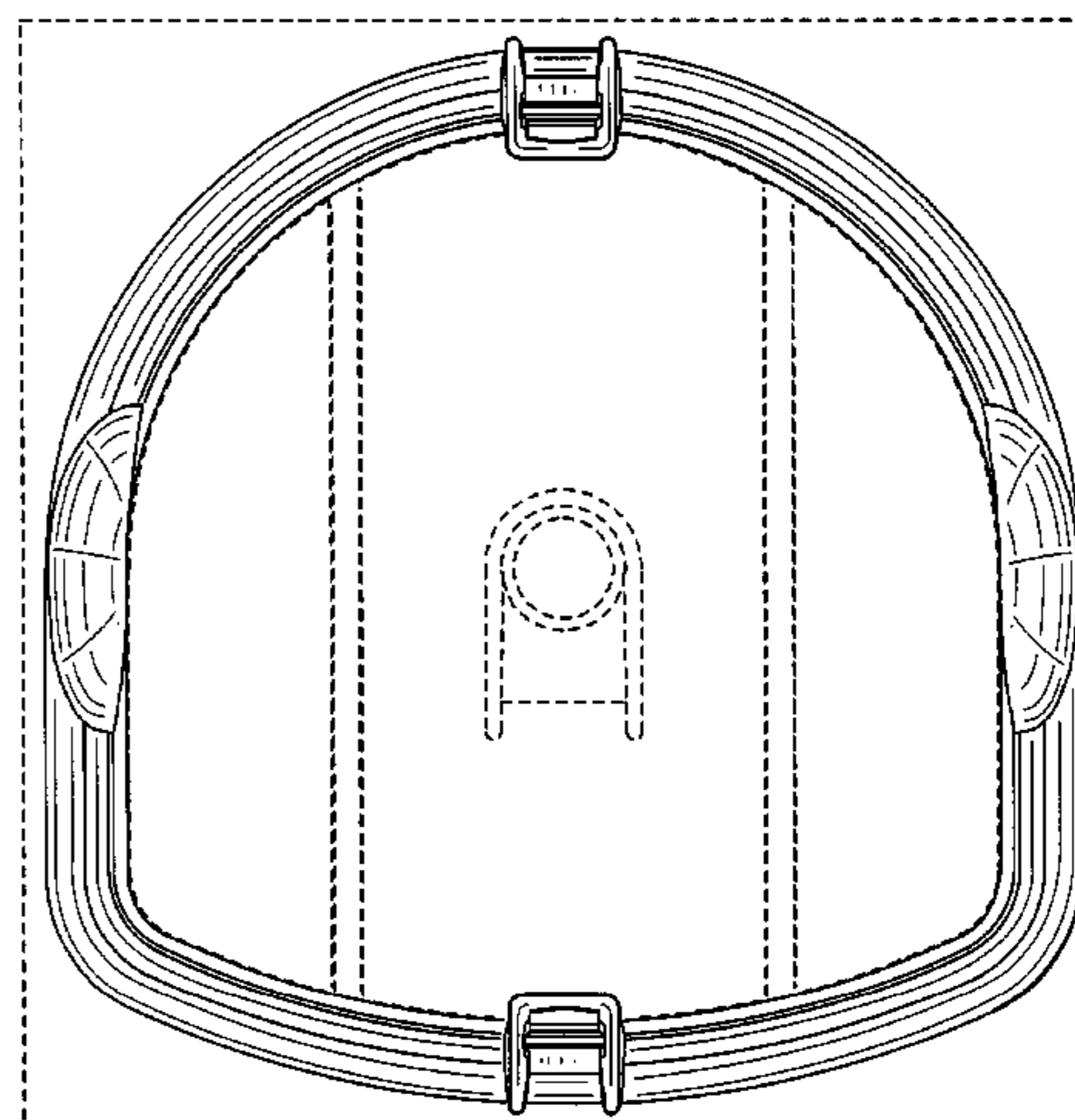
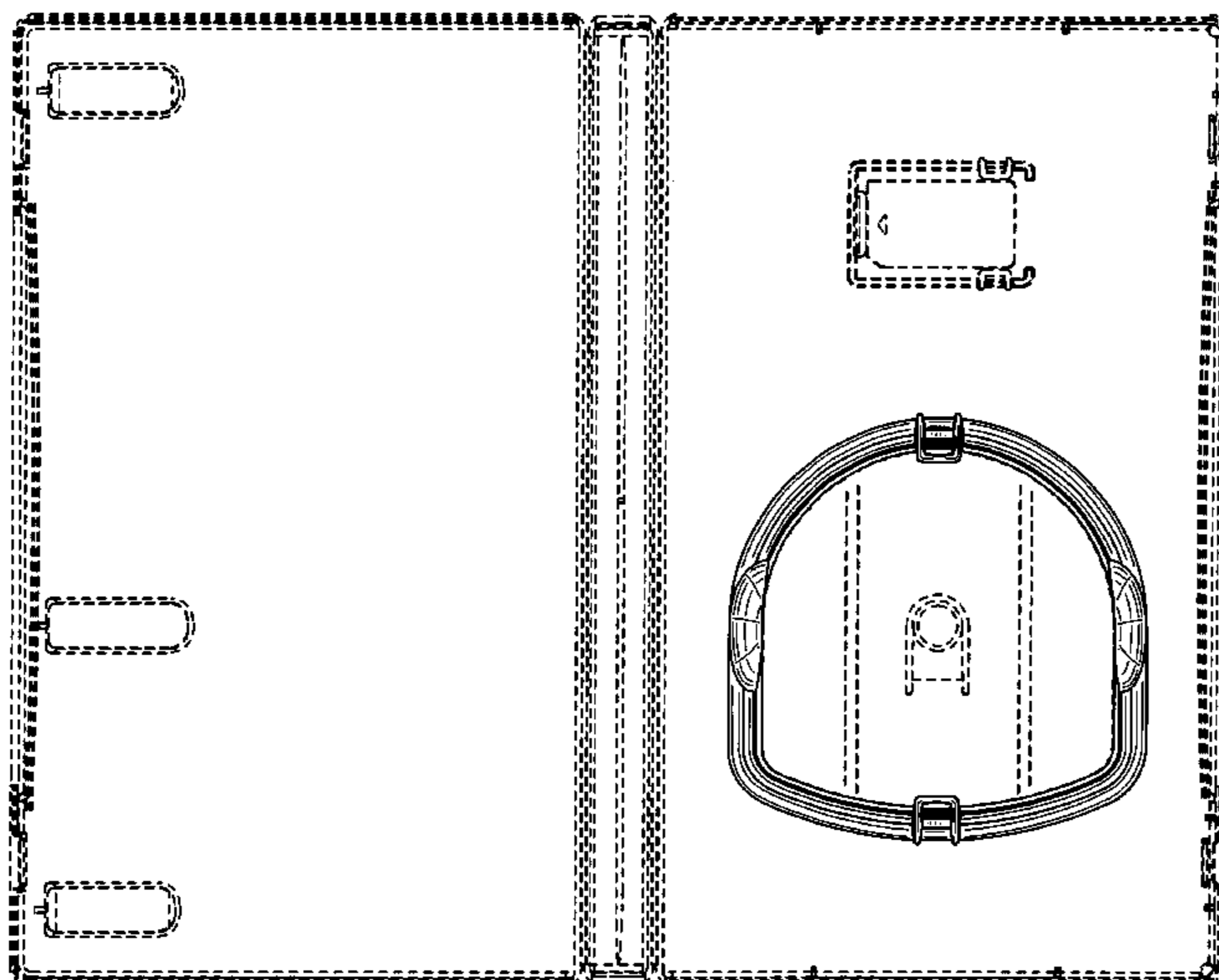


FIG. 1

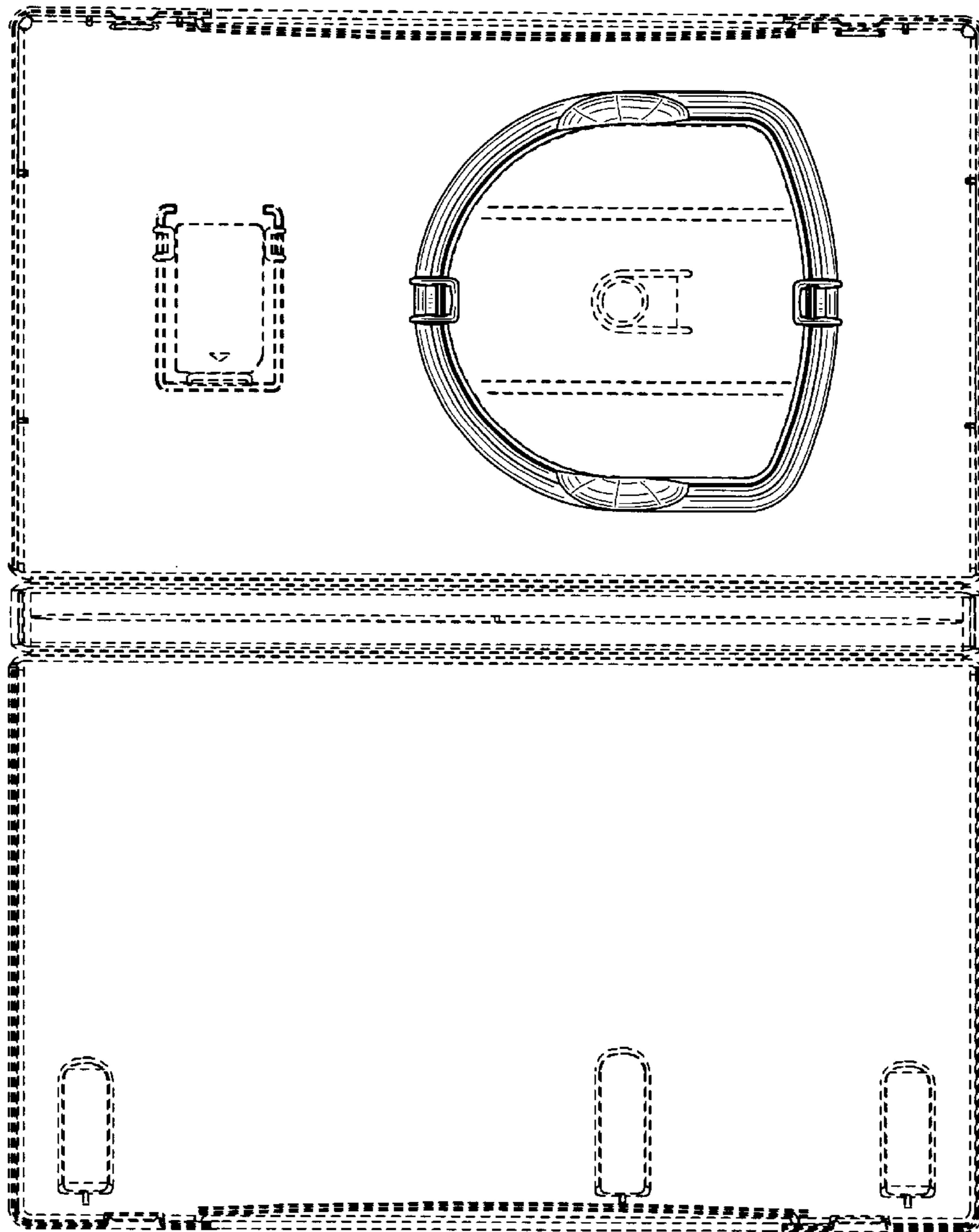


FIG. 2

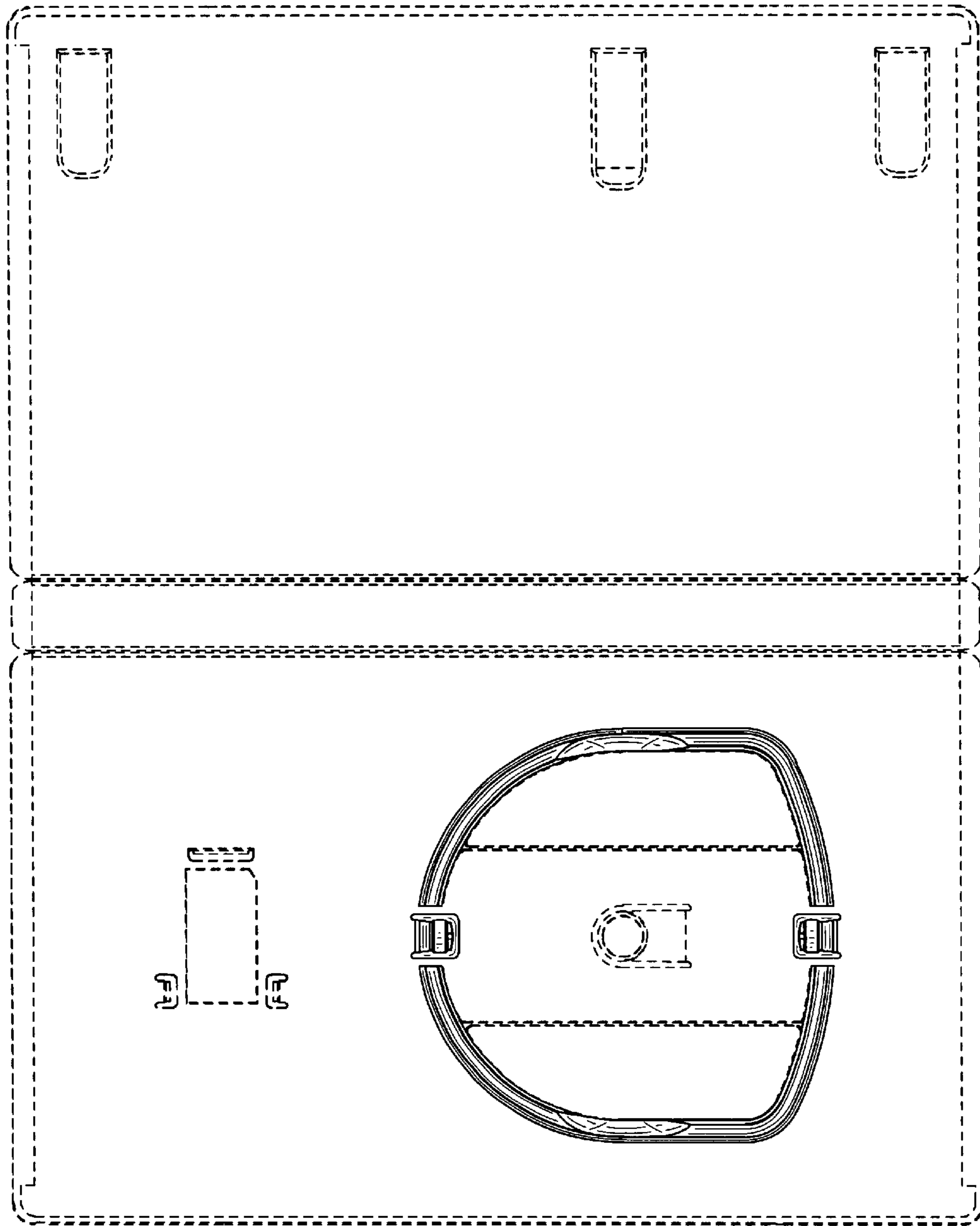


FIG. 3

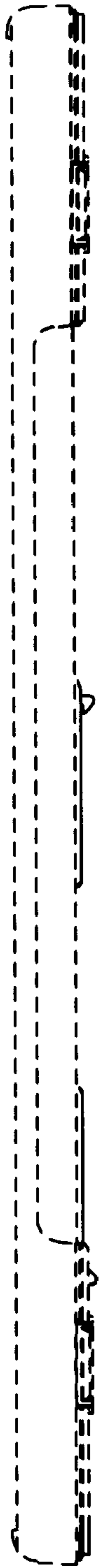


FIG. 4



FIG. 5



FIG. 6



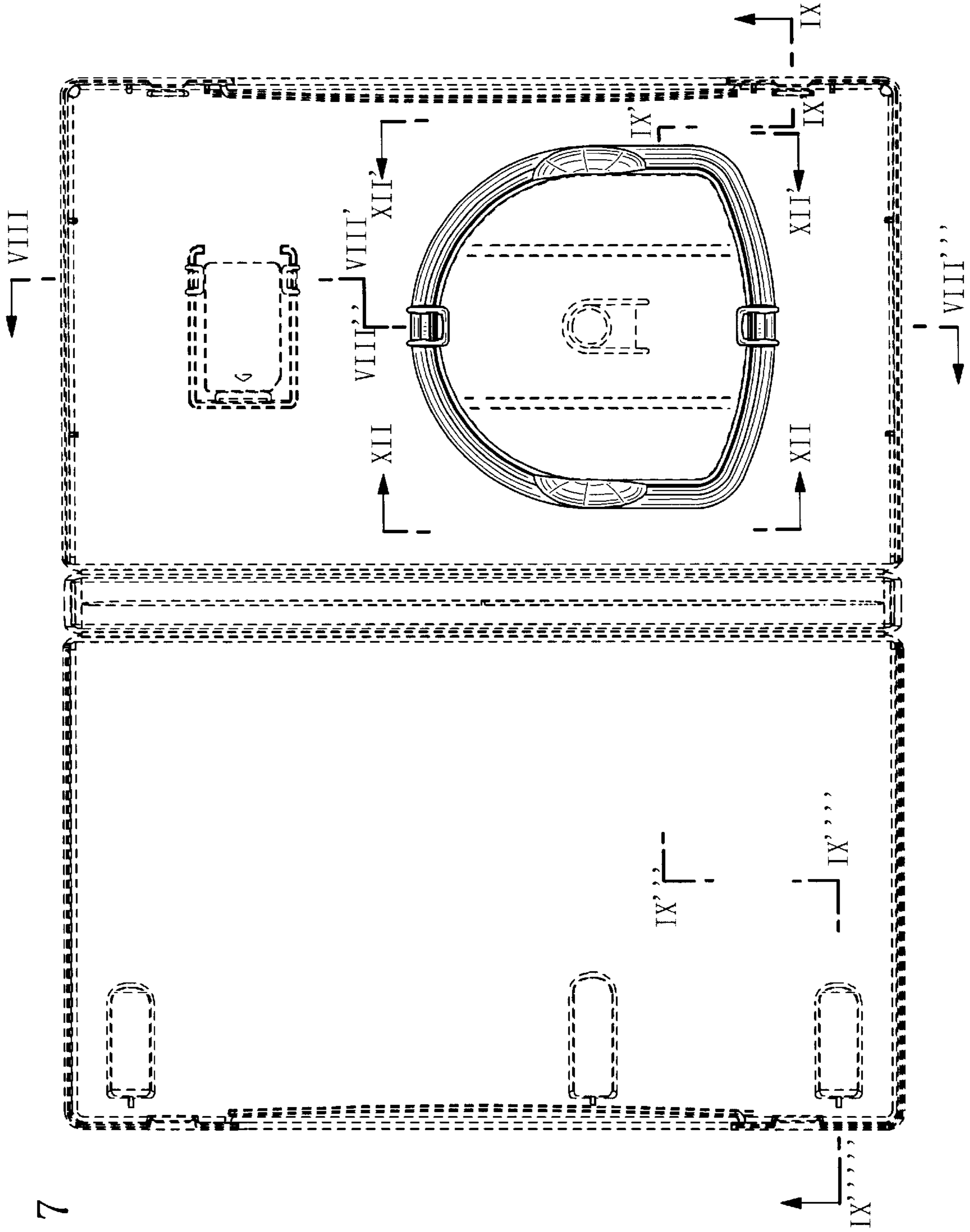
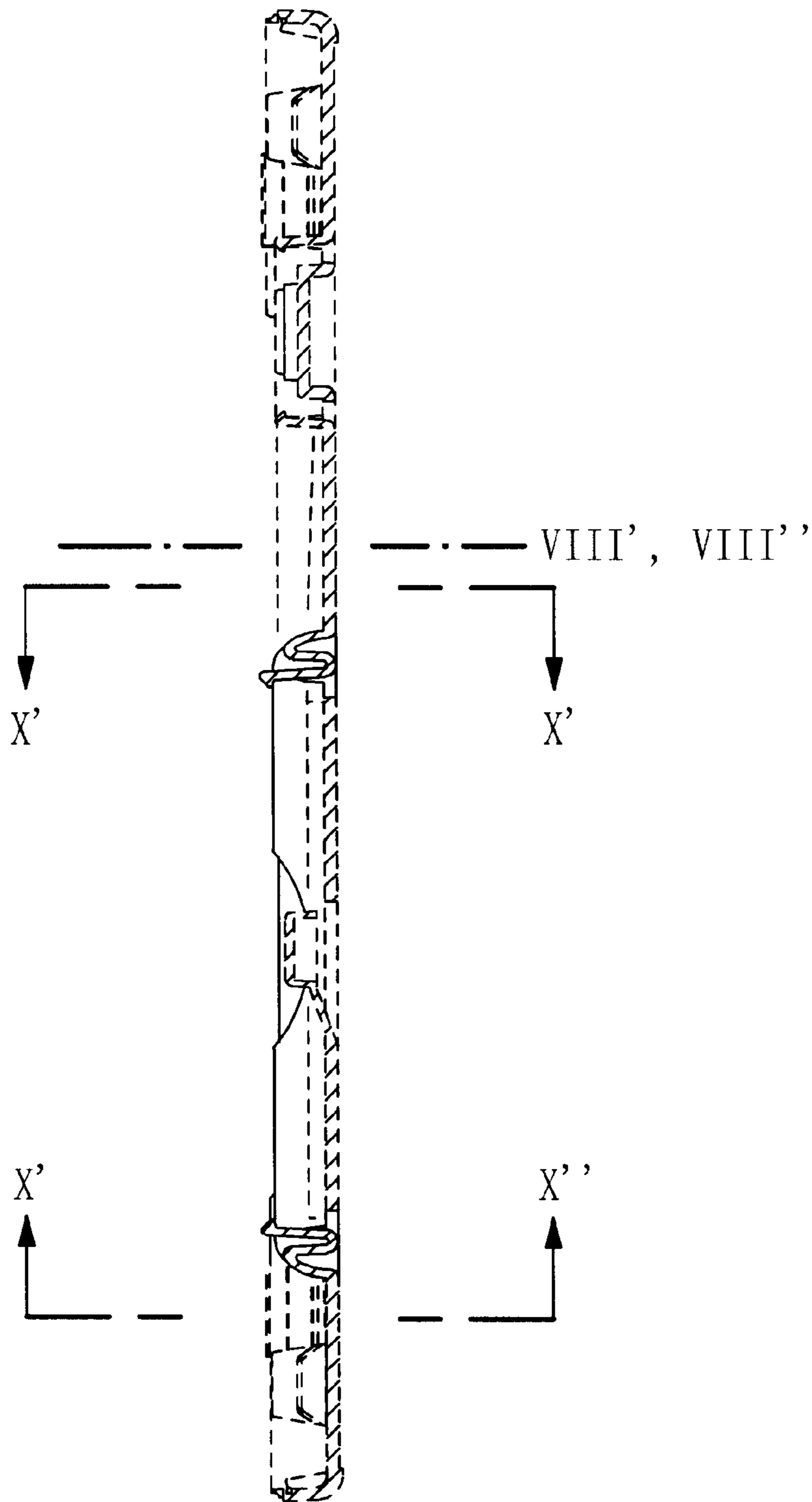


FIG. 7

FIG. 8



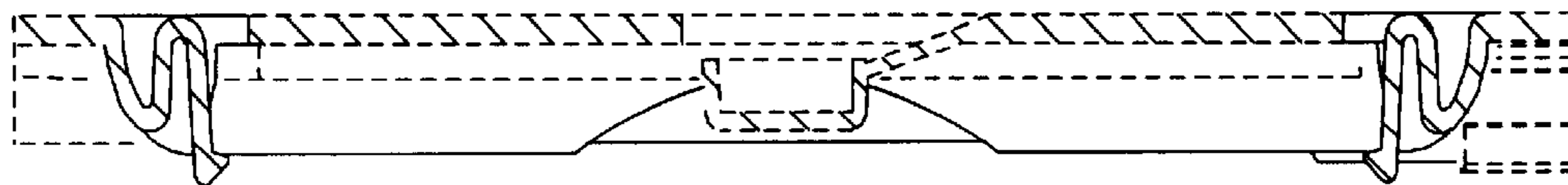


FIG. 10

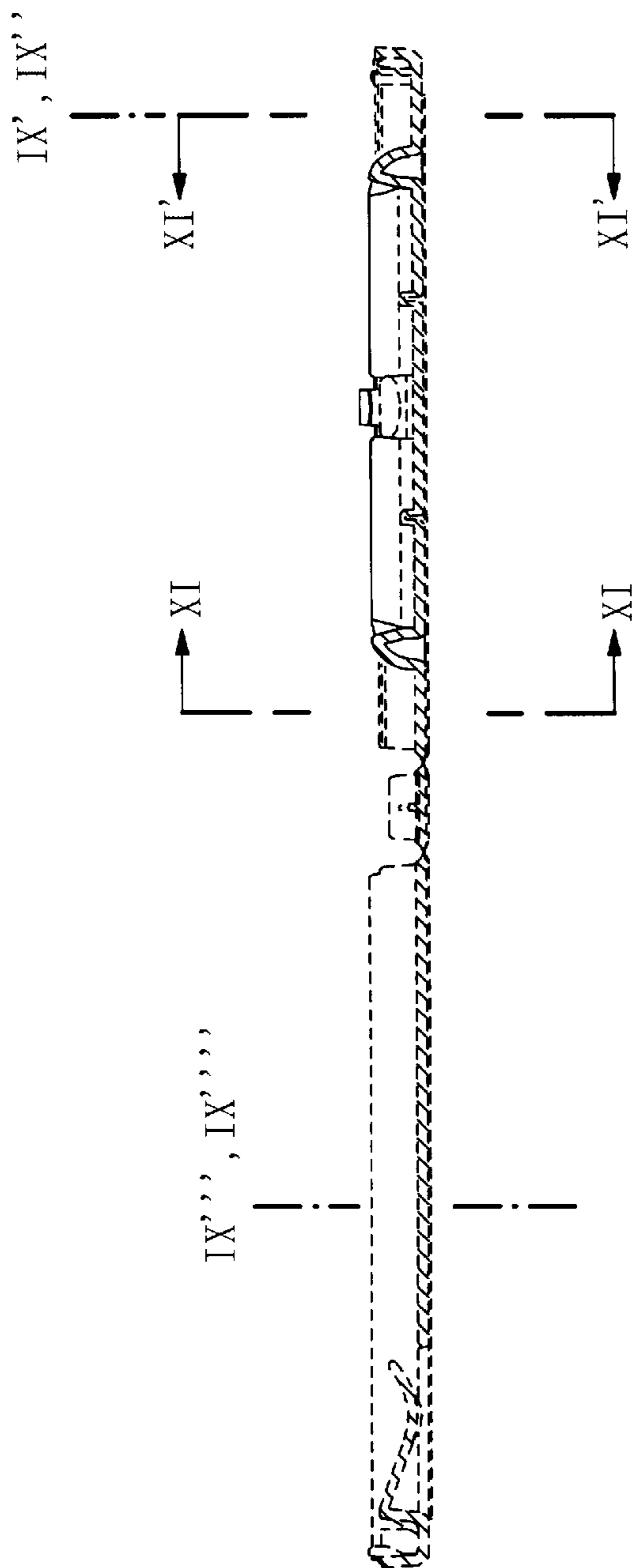


FIG. 9

FIG. 11

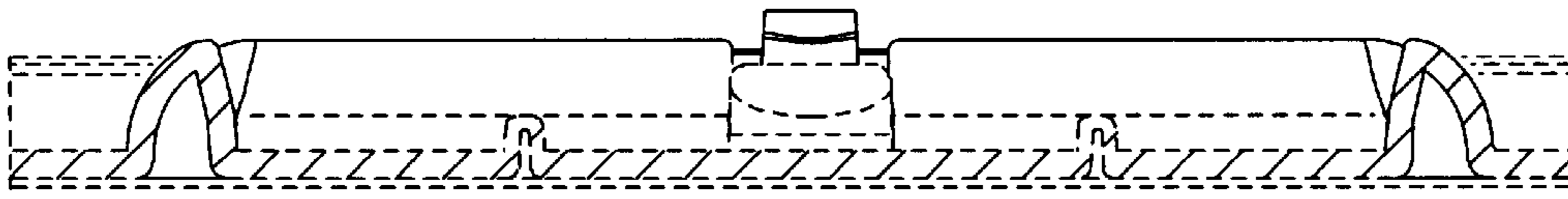


FIG. 12

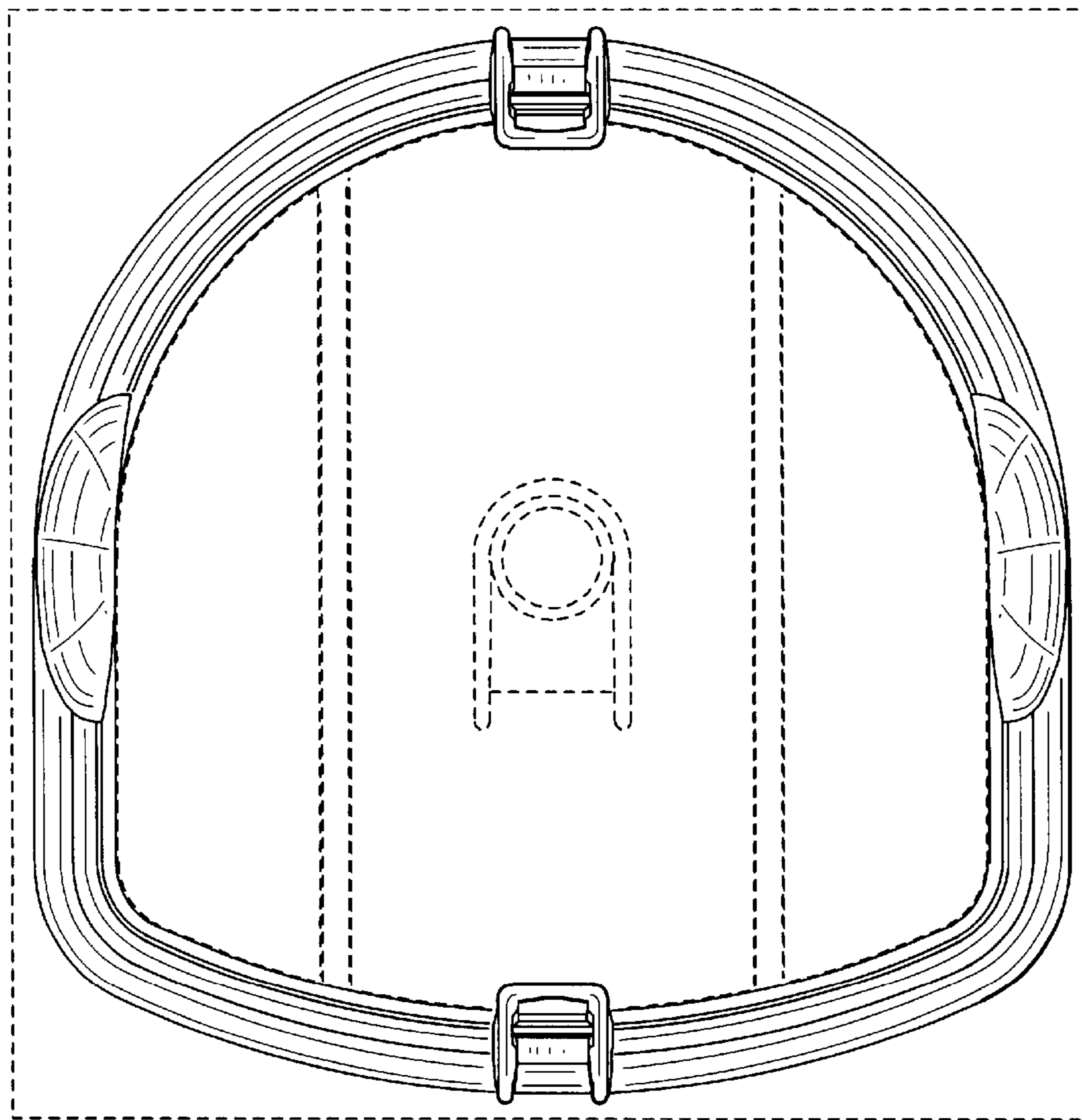


FIG. 13

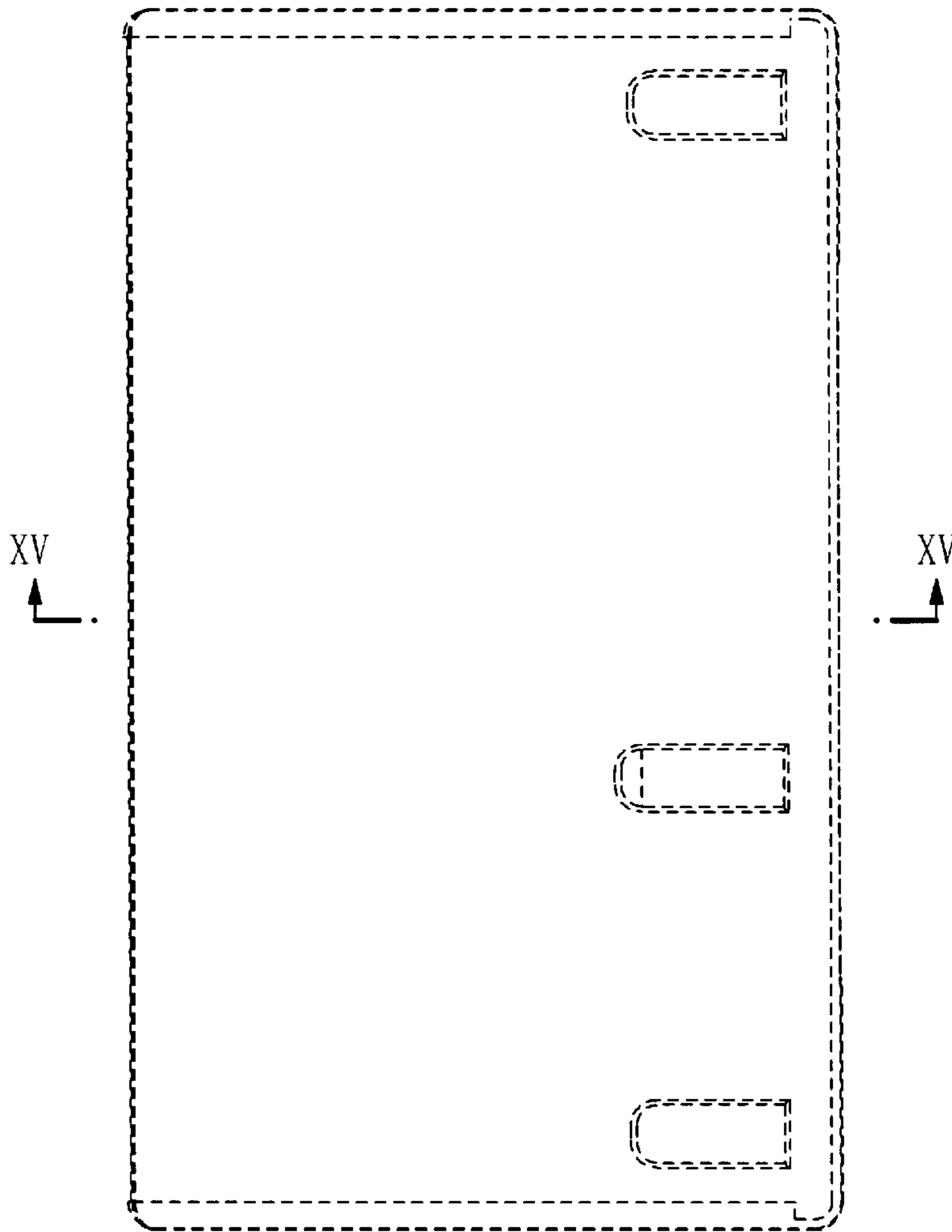


FIG. 14

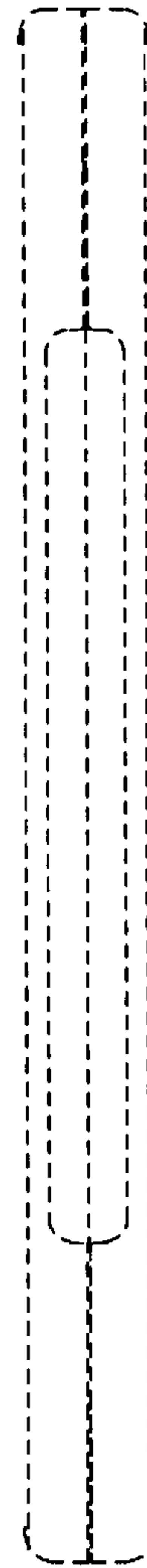


FIG. 15

