



US00D517847S

(12) **United States Design Patent**  
**Aubry et al.**

(10) **Patent No.:** **US D517,847 S**

(45) **Date of Patent:** **\*\* Mar. 28, 2006**

(54) **WALL MOUNTABLE ACCESSORY**

(57) **CLAIM**

(75) Inventors: **Clodagh Aubry**, New York, NY (US);  
**Kate Verner**, New York, NY (US)

The ornamental design for a wall mountable accessory, as shown and described.

(73) Assignee: **Ann Sacks Tile and Stone, Inc.**,  
Portland, OR (US)

**DESCRIPTION**

(\*\*) Term: **14 Years**

In a preferred embodiment, the nature of this product is as a wall mountable accessory in the form of a hook, a toilet paper holder, or a toothbrush holder.

(21) Appl. No.: **29/179,535**

FIG. 1 is a top, right, front perspective view of a wall mountable accessory embodying our new design in the form of a toilet paper holder;

(22) Filed: **Apr. 10, 2003**

FIG. 2 is a right side elevational view thereof;

(51) **LOC (8) Cl.** ..... **23-02**

FIG. 3 is a front elevational view thereof, the left side elevational view thereof being identical to the front elevational view shown;

(52) **U.S. Cl.** ..... **D6/523**

FIG. 4 is top plan view thereof;

(58) **Field of Classification Search** ..... D6/546-550,  
D6/518-523; D8/300, 303, 315-321, 349,  
D8/354, 363, 373, 380; 108/28-29; 211/13.1,  
211/16, 60.1, 100, 86.01, 87.01, 88.01, 88.04,  
211/105.1-105.2, 123, 182, 181.1; 248/175,  
248/176.1, 251, 302, 309.1; 16/110.1, 412,  
16/415; 242/570, 590, 595-598

FIG. 5 is a bottom plan view thereof;

FIG. 6 is a rear elevational view thereof;

FIG. 7 is a cross-sectional view thereof taken along line 7-7 of FIG. 4; and,

See application file for complete search history.

FIG. 8 is a top, left, front perspective view of another embodiment in the form of a toilet paper holder, the left side elevational view thereof being a mirror image of that shown in FIG. 2, the front elevational and the right side elevational views thereof being identical to that shown in FIG. 3, the top plan view thereof being identical to that shown in FIG. 4, the bottom plan view thereof being a mirror image of that shown in FIG. 5, and the rear elevational view thereof being identical to that shown in FIG. 6.

The broken line representations of holes in FIGS. 6 and 7 are for the purpose of illustration only, and form no part of the claimed design.

(56) **References Cited**

**U.S. PATENT DOCUMENTS**

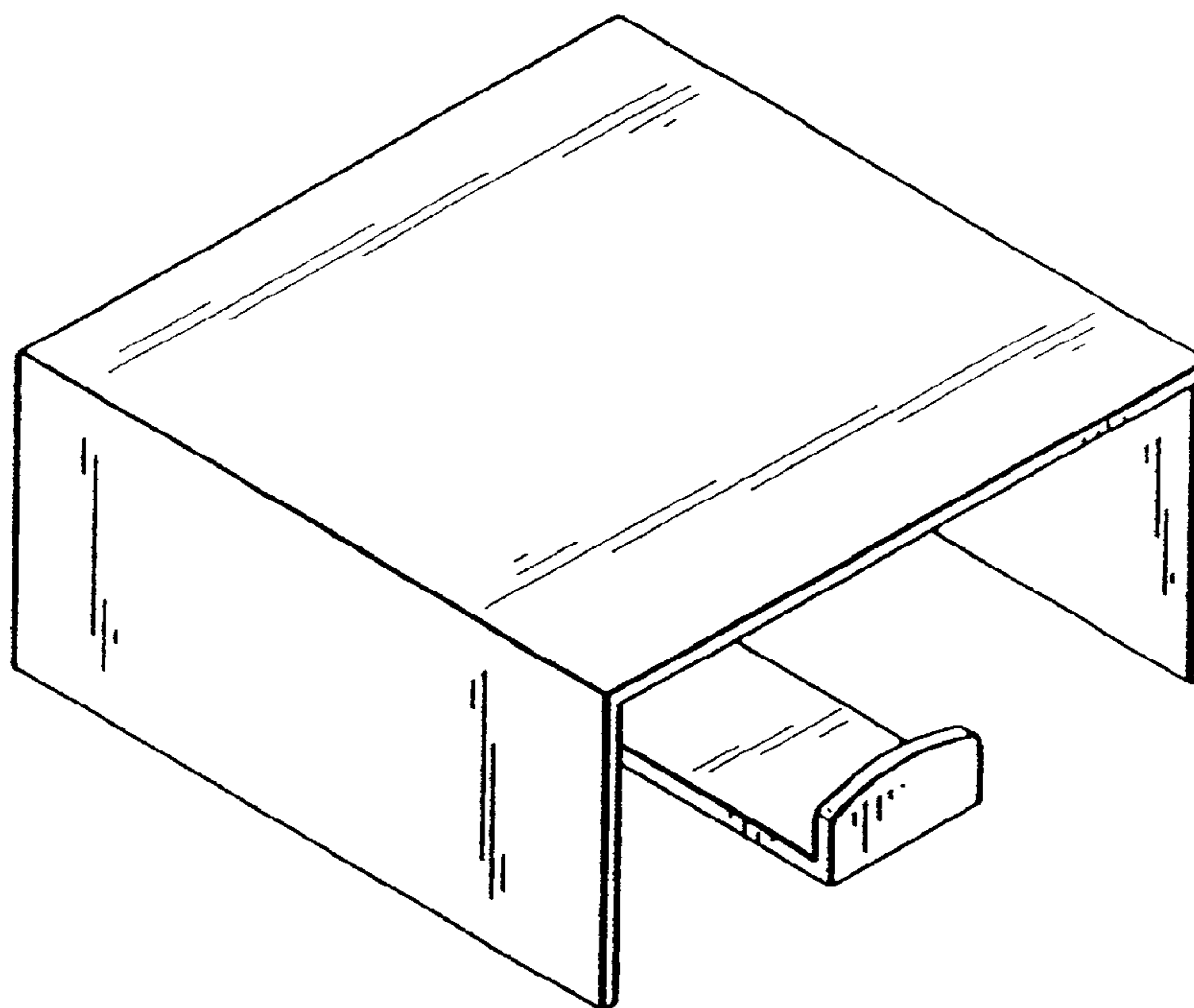
- D394,177 S \* 5/1998 Christopher ..... D6/523
- D447,899 S \* 9/2001 Draughn, Sr. .... D6/523
- D486,681 S \* 2/2004 Hoernig ..... D6/523
- D487,858 S \* 3/2004 Richardson ..... D6/523

\* cited by examiner

*Primary Examiner*—Brian N Vinson

(74) *Attorney, Agent, or Firm*—Quarles & Brady LLP

**1 Claim, 2 Drawing Sheets**



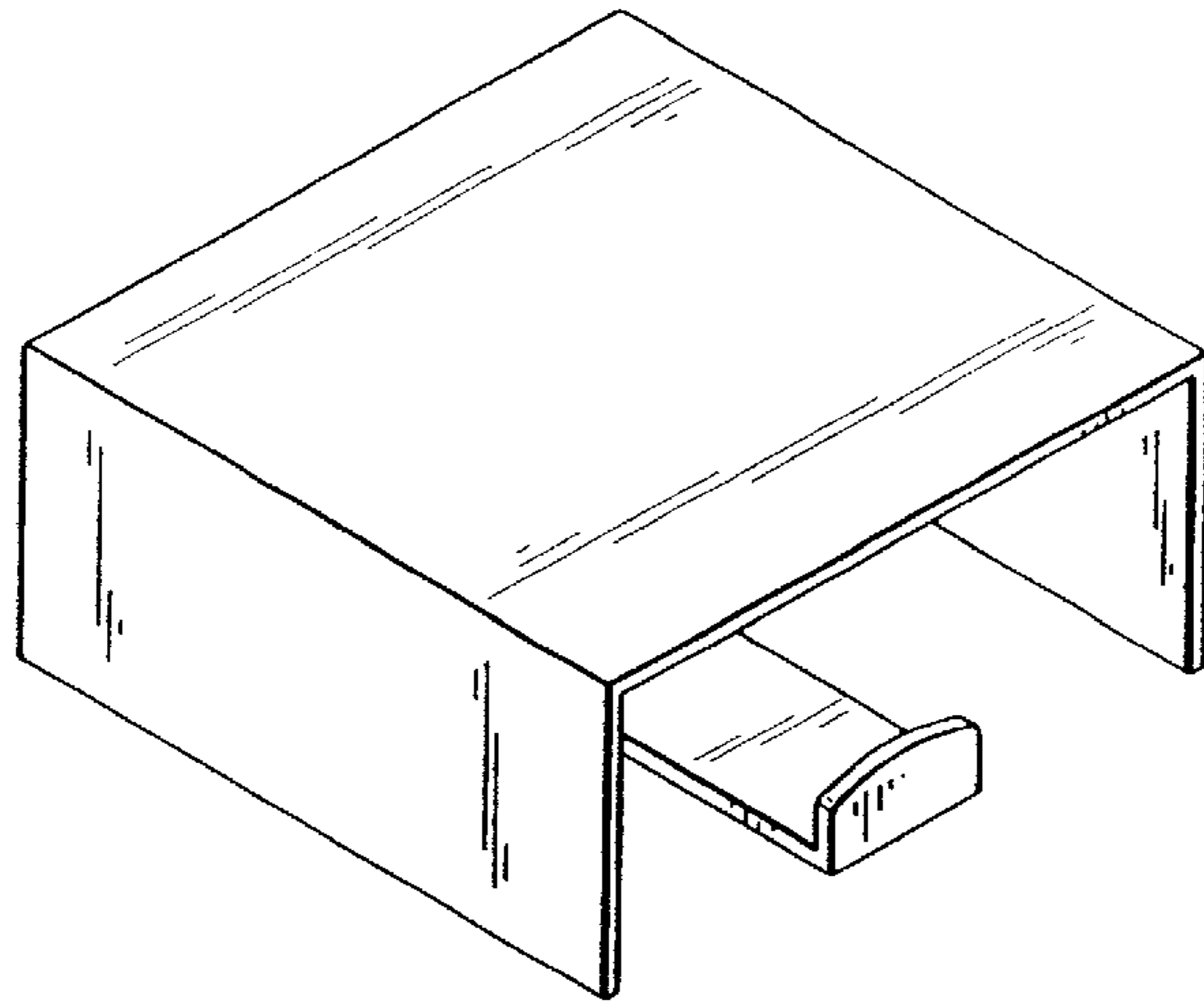


FIG. 1

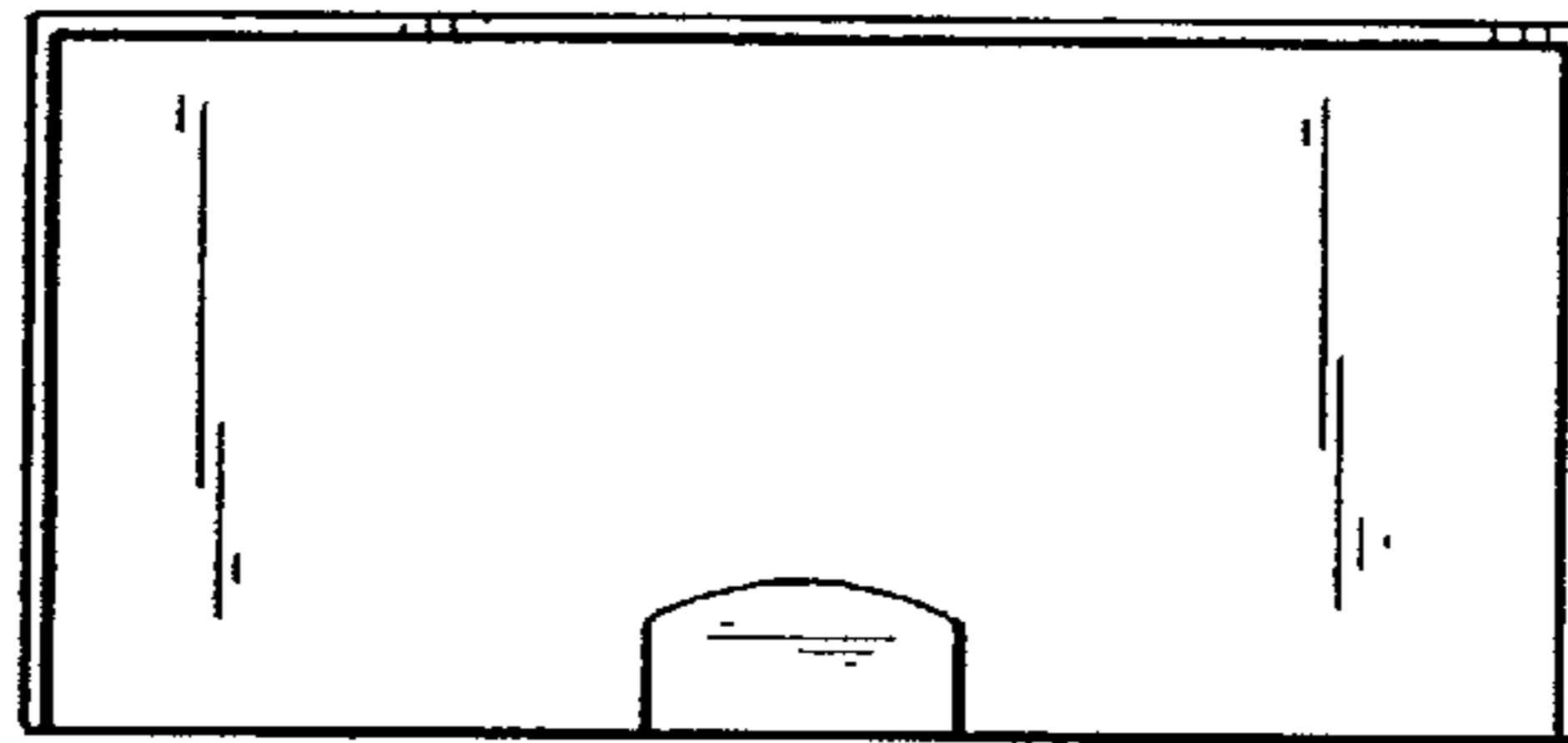


FIG. 2

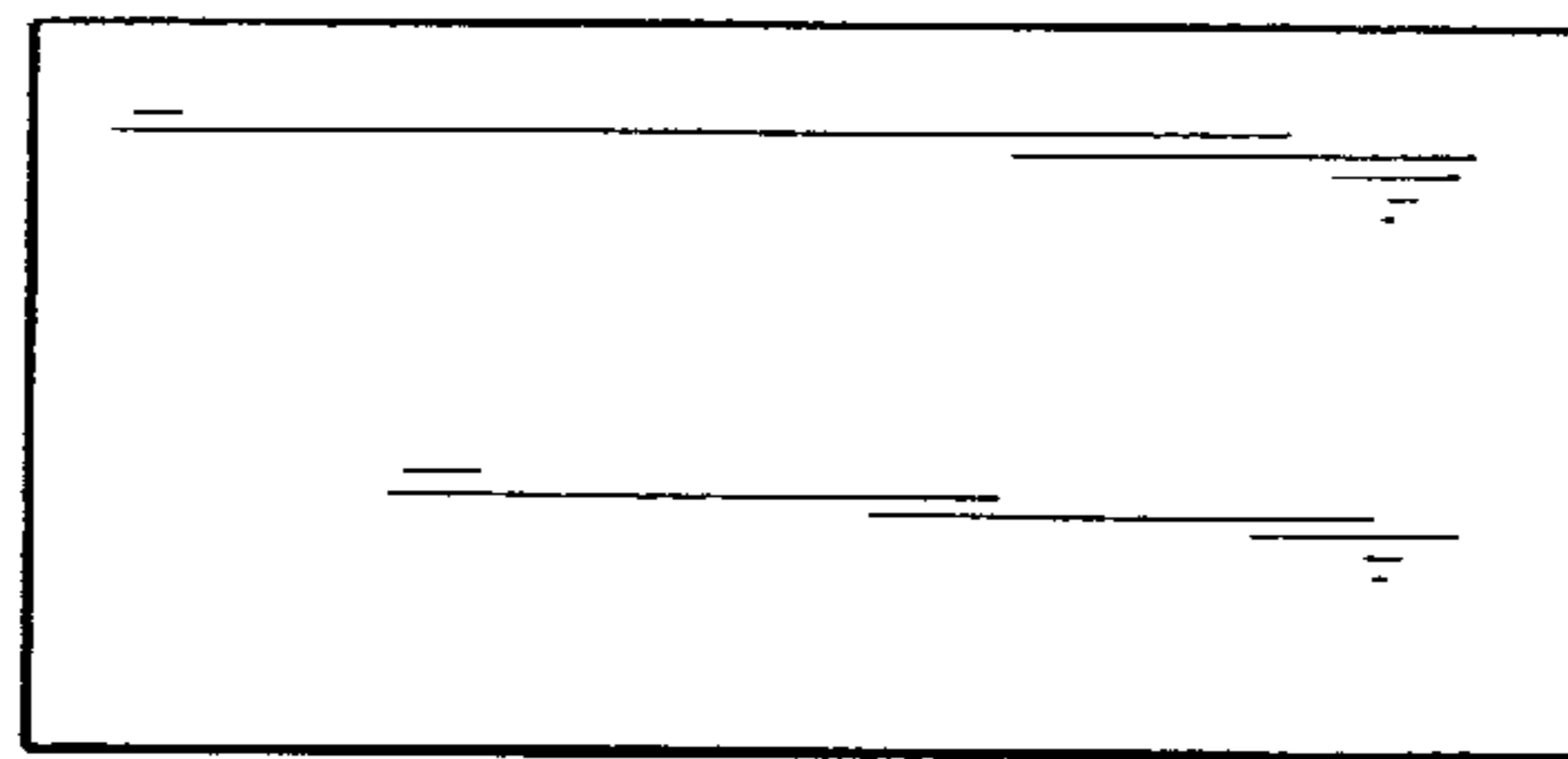


FIG. 3

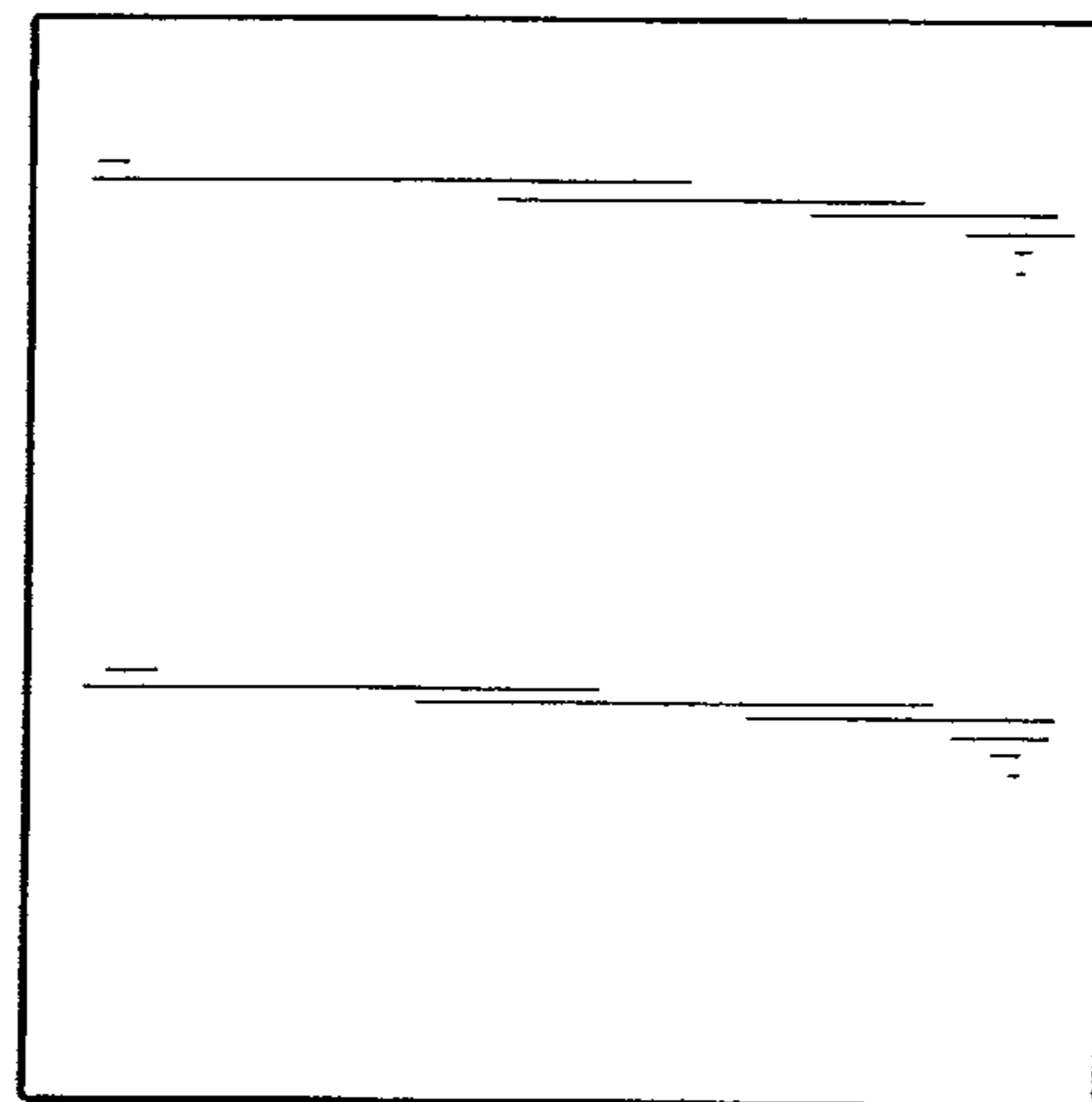
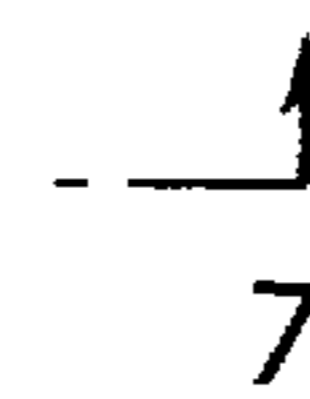
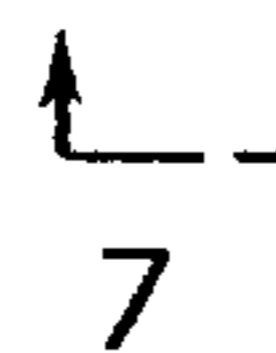


FIG. 4



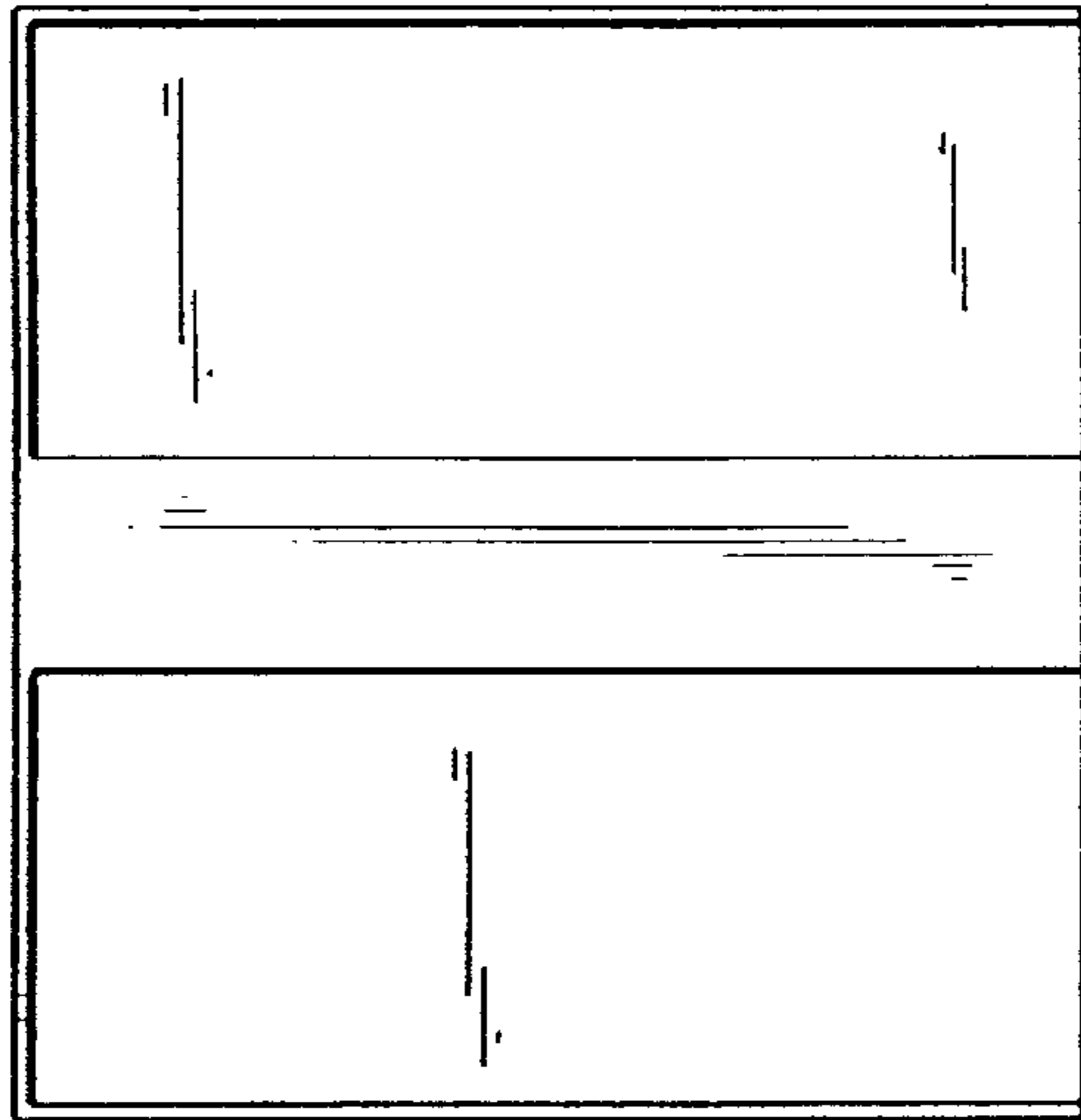


FIG. 5

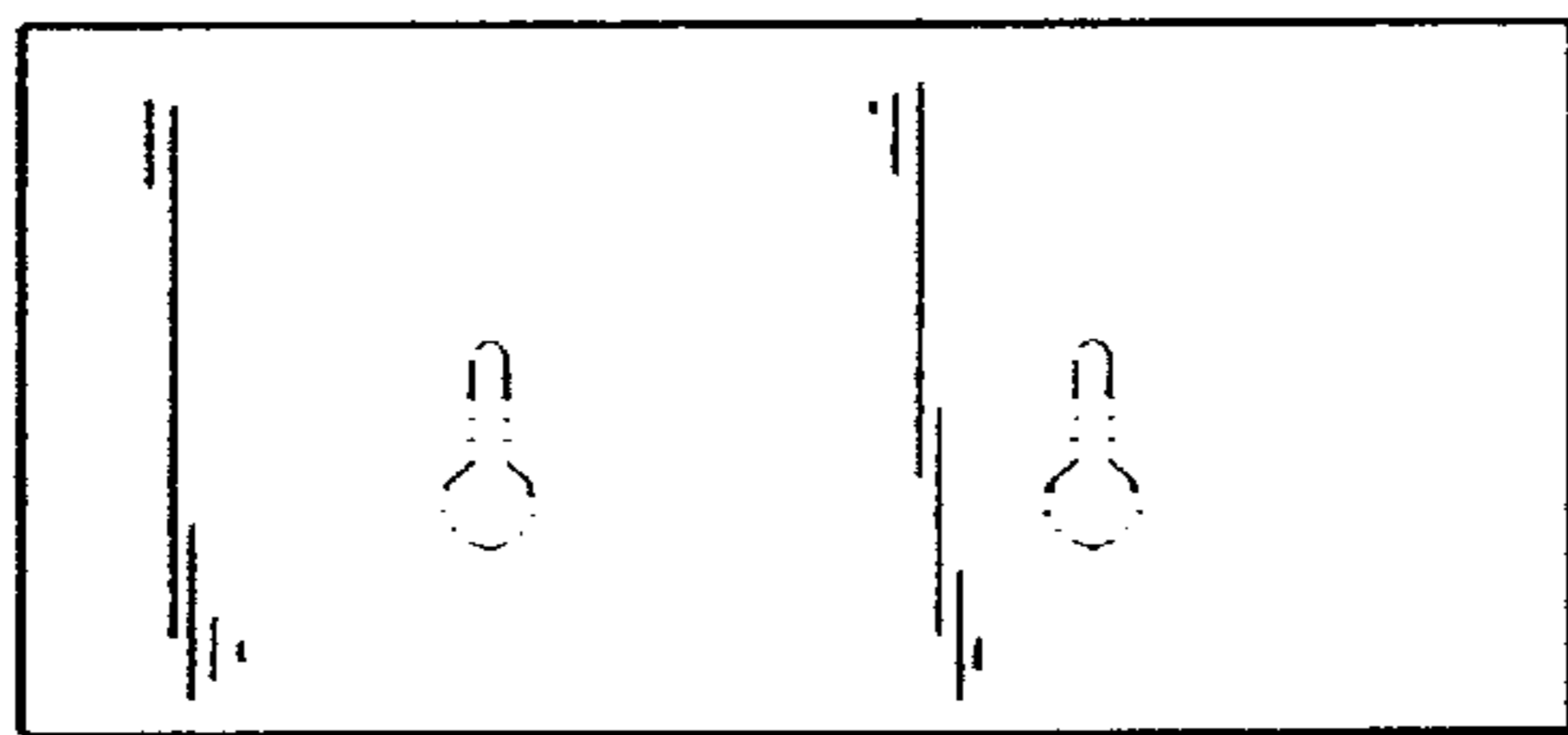


FIG. 6

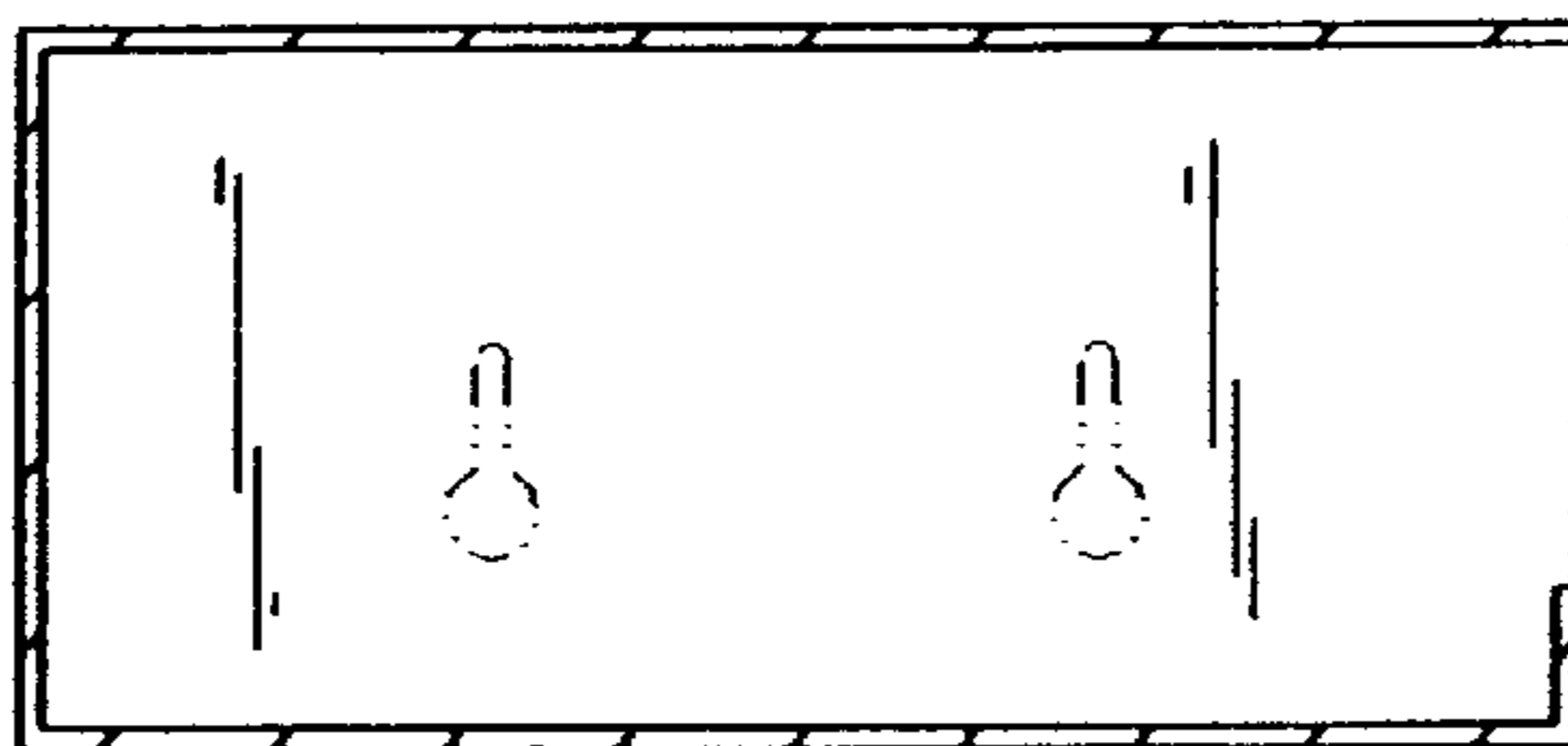


FIG. 7

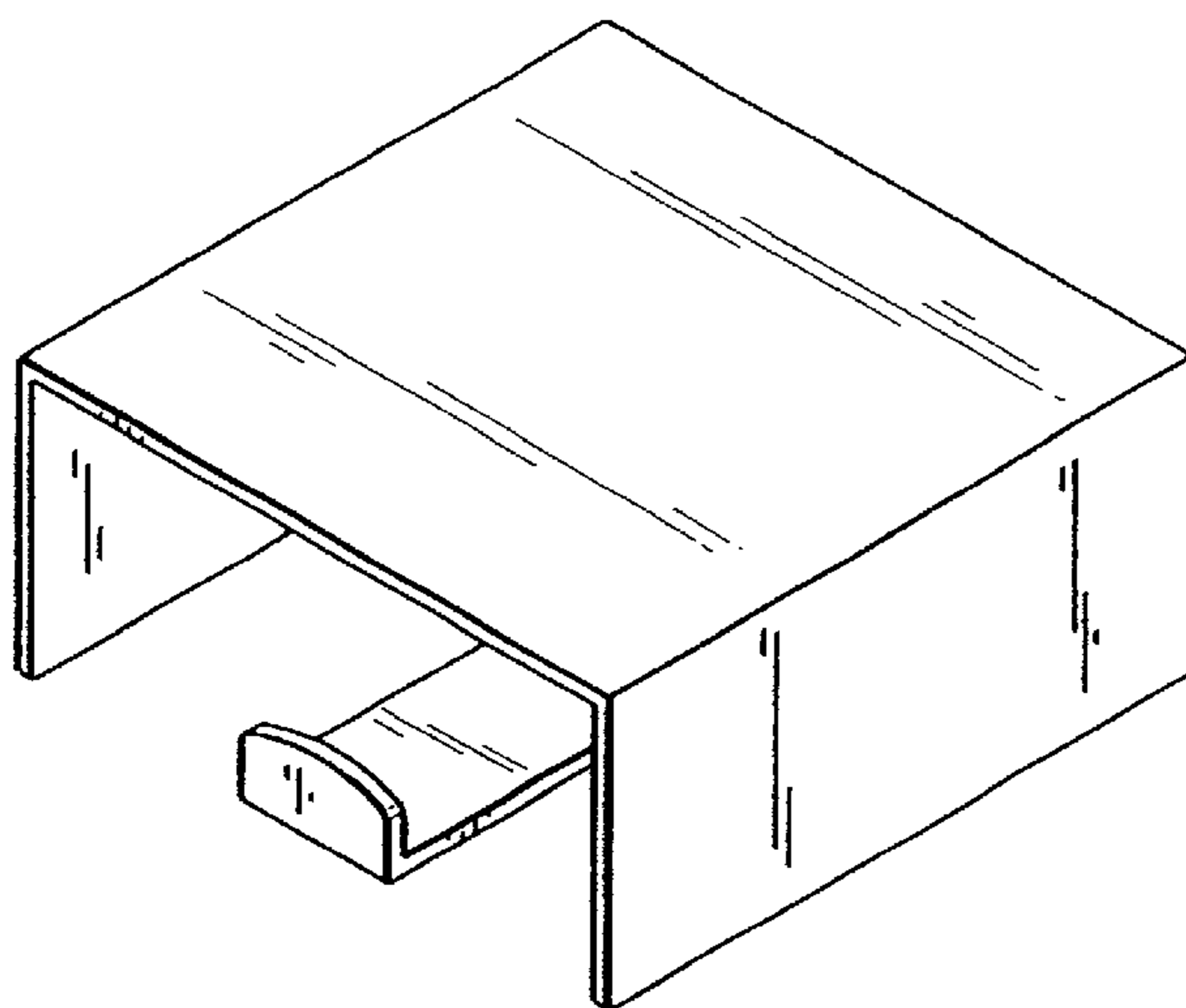


FIG. 8