



US00D517844S

(12) **United States Design Patent**
Gladney

(10) **Patent No.:** **US D517,844 S**
(45) **Date of Patent:** **** Mar. 28, 2006**

- (54) **PLASTIC MATTRESS FOUNDATION DRAWER**
- (75) Inventor: **Richard F. Gladney**, Fairburn, GA (US)
- (73) Assignee: **Dreamwell Ltd.**, Las Vegas, NV (US)
- (**) Term: **14 Years**
- (21) Appl. No.: **29/216,643**
- (22) Filed: **Nov. 4, 2004**

Related U.S. Application Data

- (63) Continuation of application No. 10/829,669, filed on Apr. 21, 2004, which is a continuation-in-part of application No. 10/826,672, filed on Apr. 16, 2004, which is a continuation-in-part of application No. 10/617,946, filed on Jul. 11, 2003, said application No. 10/826,672, filed on Apr. 16, 2004, and a continuation-in-part of application No. 29/192,103, filed on Oct. 17, 2003, and a continuation-in-part of application No. 29/192,104, filed on Oct. 17, 2003, and a continuation-in-part of application No. 29/192,105, filed on Oct. 17, 2003.

- (51) **LOC (8) Cl.** **06-06**
- (52) **U.S. Cl.** **D6/503; D6/510**
- (58) **Field of Classification Search** D6/382, D6/383, 384, 385, 390-395, 605, 606; 5/907, 5/279.1, 280, 281, 308, 690, 691
See application file for complete search history.

(56) **References Cited**

U.S. PATENT DOCUMENTS

- 1,866,953 A 7/1932 Stephens
- 2,330,192 A * 9/1943 Bednarek 5/703
- 2,827,952 A 3/1958 Propst
- 2,908,918 A 10/1959 Hopkes, Jr.
- D188,483 S * 8/1960 Koenigsberg D6/605
- D188,484 S * 8/1960 Koenigsberg D6/605
- 3,049,729 A 8/1962 Broyles
- 3,083,380 A 4/1963 Adler
- 3,754,289 A 8/1973 Larkin
- 3,768,106 A 10/1973 Fitzgerald
- 3,994,033 A 11/1976 Bendell
- 4,103,375 A 8/1978 Santo

- 4,128,907 A 12/1978 Gelbart
- 4,476,595 A 10/1984 Ikeda
- 4,583,254 A 4/1986 Johenning
- 4,597,120 A 7/1986 Fogel
- 4,602,396 A 7/1986 Fraige
- 4,662,015 A 5/1987 Galumbeck
- 4,734,946 A 4/1988 Saputo
- 4,759,088 A 7/1988 Brown
- 4,774,733 A 10/1988 Akers
- 4,878,259 A 11/1989 Lupo
- 5,099,529 A 3/1992 Anderson
- 5,136,740 A 8/1992 Kraft
- 5,161,271 A 11/1992 Gronbach
- D334,502 S * 4/1993 Hill D6/605
- 5,231,714 A 8/1993 Mossbeck
- 5,289,600 A 3/1994 Schermel
- 5,469,589 A 11/1995 Steed
- 5,564,960 A 10/1996 Underhill
- 5,628,080 A 5/1997 Quintile
- 5,701,653 A 12/1997 Rupe
- 5,858,508 A 1/1999 Sturtevant
- 5,953,775 A 9/1999 Mauro

(Continued)

FOREIGN PATENT DOCUMENTS

GB 2 172 198 A 9/1986

Primary Examiner—Janice E. Seeger
(74) *Attorney, Agent, or Firm*—Fish & Neave IP Group, Ropes & Gray, LLP

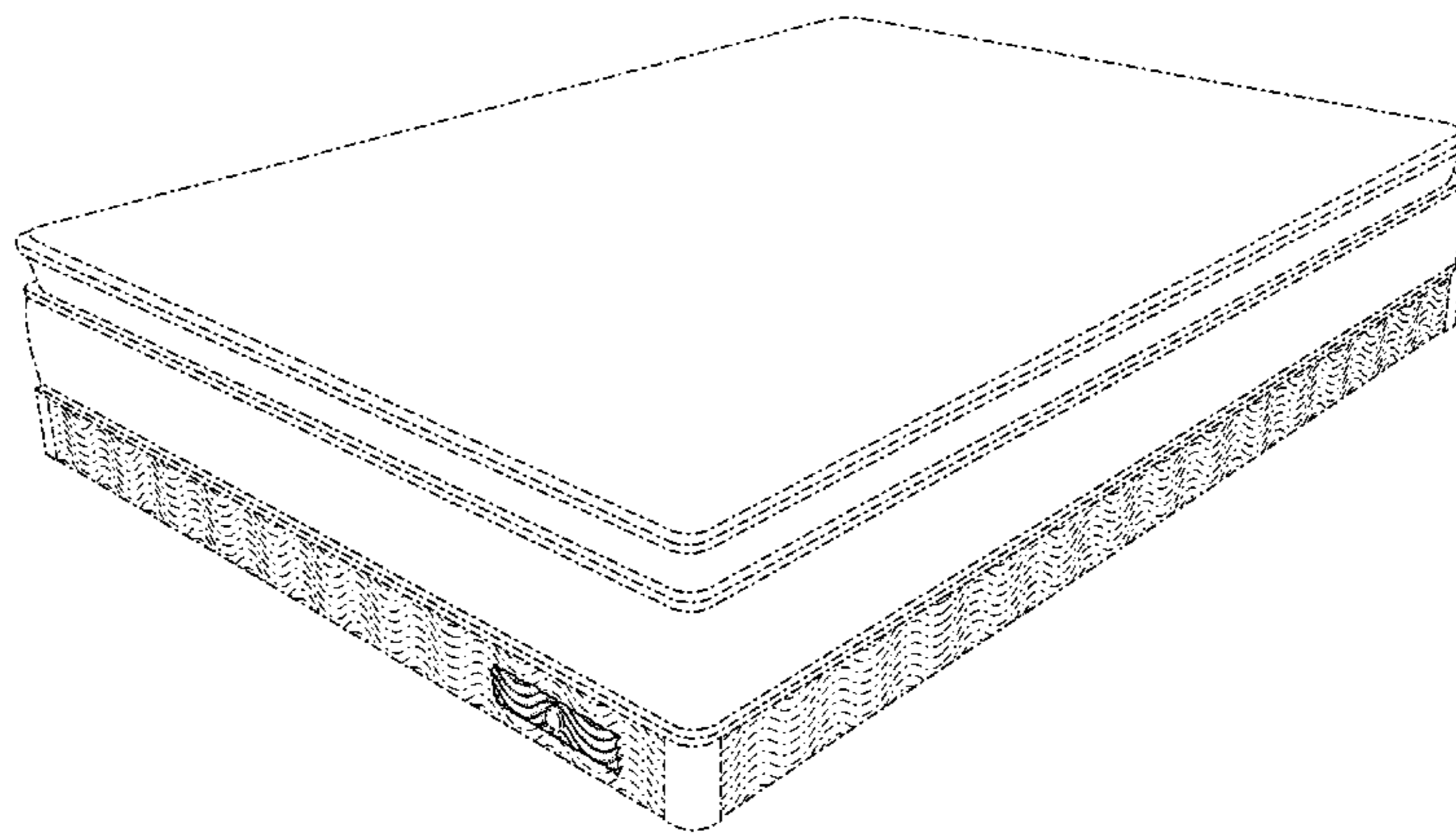
(57) **CLAIM**

The ornamental design for a drawer for a plastic mattress foundation drawer, as shown and described.

DESCRIPTION

FIG. 1 is a perspective view of a plastic mattress foundation drawer, showing my new design; and, FIG. 2 is a front perspective view, showing the design in an alternate environment. The phantom lines depicting a mattress, portions of a mattress foundation, and portions of a drawer are for illustrative purposes only and form no part of the claimed design.

1 Claim, 2 Drawing Sheets



US D517,844 S

Page 2

U.S. PATENT DOCUMENTS

6,108,834	A	8/2000	Mauro	2002/0069462	A1	6/2002	Gaboury
6,125,488	A	10/2000	Vogland	2003/0024045	A1	2/2003	Bellows
6,292,960	B1	9/2001	Bowling	2003/0079284	A1	5/2003	Gaboury
6,557,191	B1	5/2003	Bellows	2004/0078897	A1	4/2004	Gladney
6,615,425	B1	* 9/2003	Candell	2004/0128761	A1	7/2004	Gaboury
6,785,920	B1	9/2004	Amador				

5/400

* cited by examiner

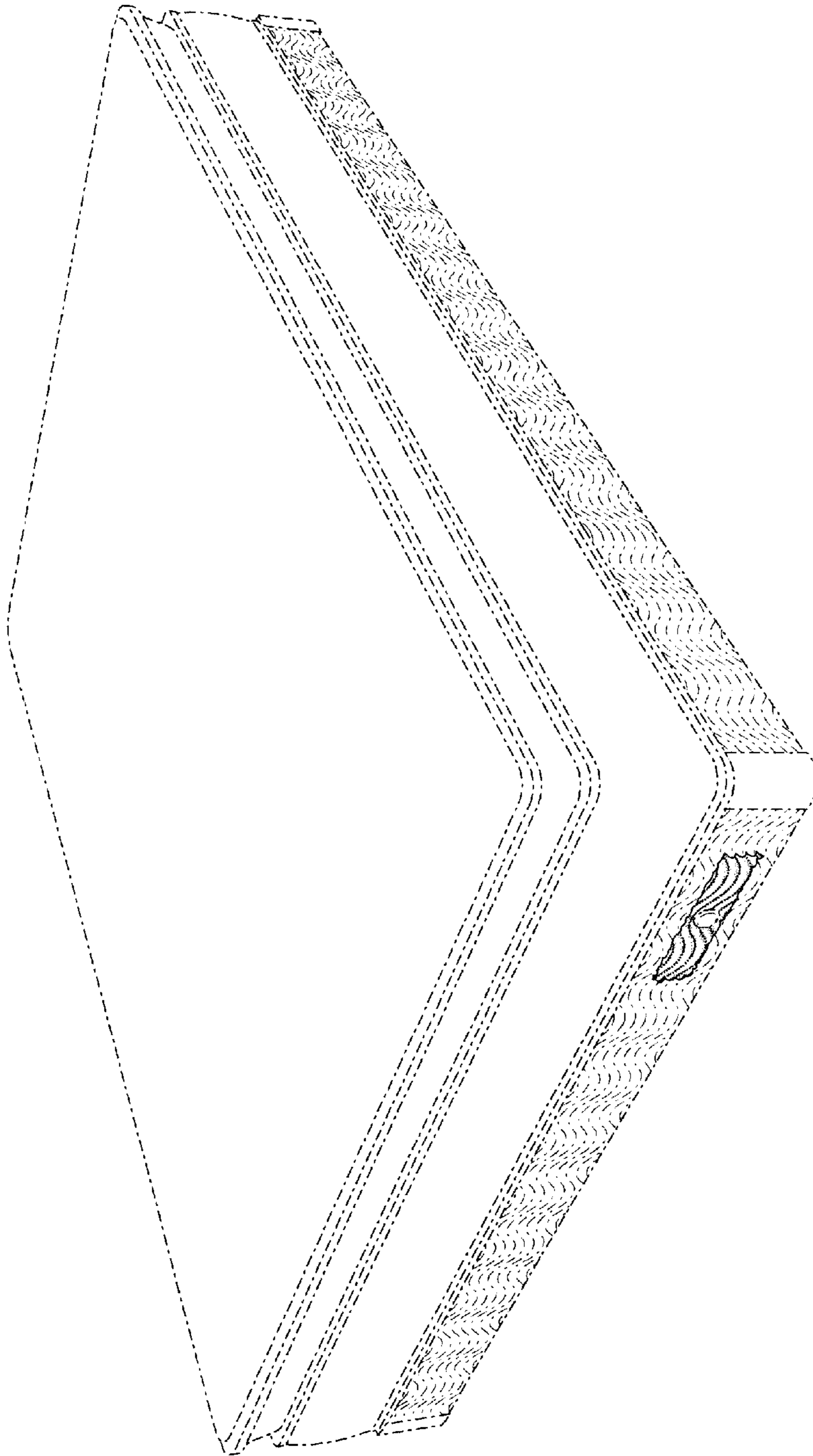


Fig. 1

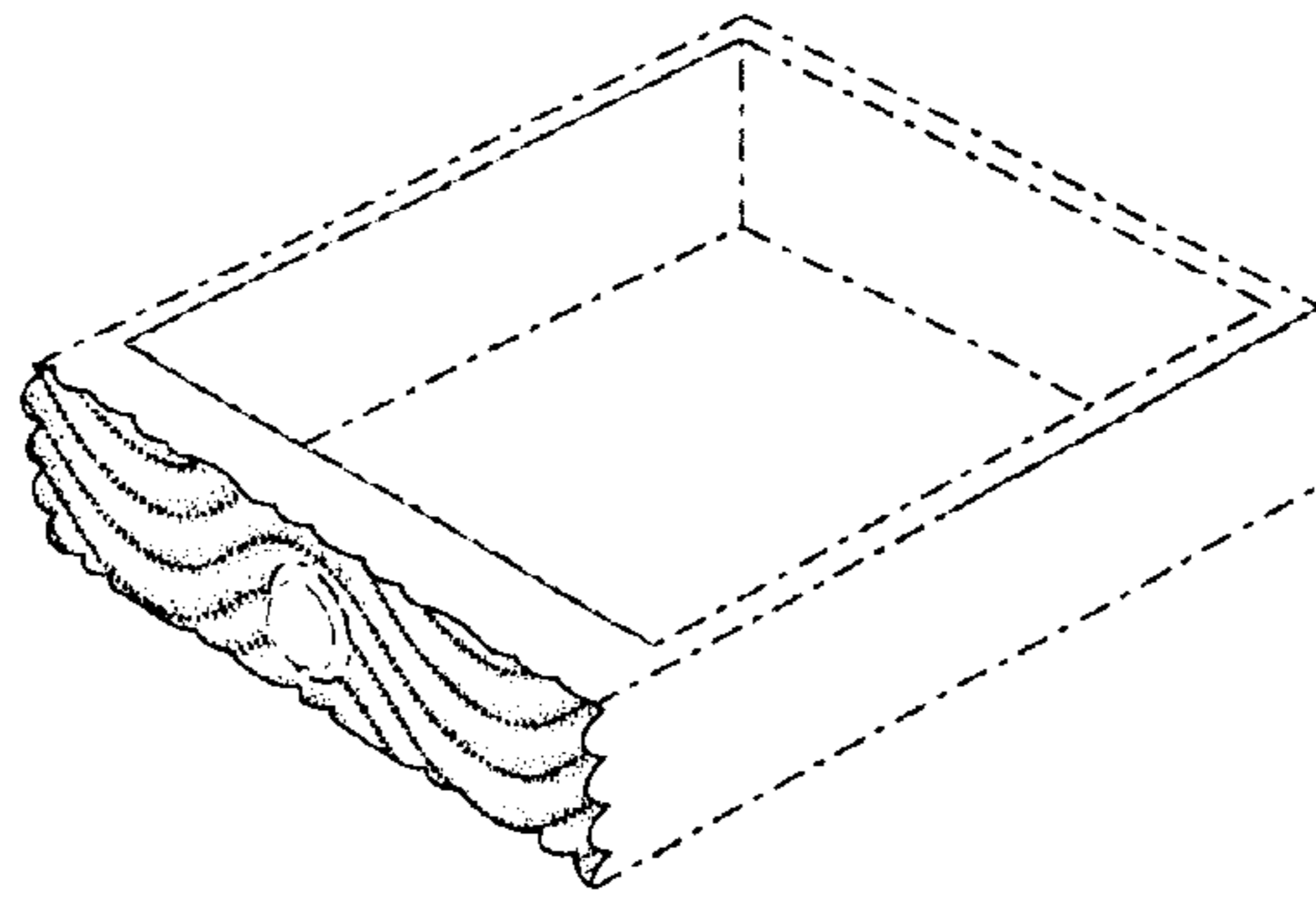


Fig. 2