

US00D517843S

(12) **United States Design Patent**
Barefoot

(10) **Patent No.:** **US D517,843 S**
(45) **Date of Patent:** **** Mar. 28, 2006**

(54) **TABLE LEG**
(75) Inventor: **James E. Barefoot**, Winston Salem, NC
(US)

D468,938 S 1/2003 Williams
D473,735 S 4/2003 Moore
D486,329 S 2/2004 Strong et al.

* cited by examiner

(73) Assignee: **Krueger International, Inc.**, Green Bay, WI (US)

Primary Examiner—Janice E. Seeger
(74) *Attorney, Agent, or Firm*—Boyle Fredrickson Newholm Stein & Gratz S.C.

(**) Term: **14 Years**

(57) **CLAIM**

(21) Appl. No.: **29/207,333**

The ornamental design of a table leg, as shown and described.

(22) Filed: **Jun. 12, 2004**

(51) **LOC (8) Cl.** **06-06**

DESCRIPTION

(52) **U.S. Cl.** **D6/499**

(58) **Field of Classification Search** D6/480–489,
D6/495–499, 511, 429–431; 108/150, 153.1,
108/155, 156, 157.1, 161; 248/188, 188.1,
248/188.8, 188.5

FIG. 1 is a perspective view of a table leg, showing my new design;

FIG. 2 is a side elevation view;

FIG. 3 is a top plan view;

FIG. 4 is a bottom plan view;

FIG. 5 is a perspective view showing an alternate embodiment of my new design; and,

FIG. 6 is a side elevation view thereof, wherein the top and bottom plan views are the same as in FIGS. 3 and 4, respectively.

See application file for complete search history.

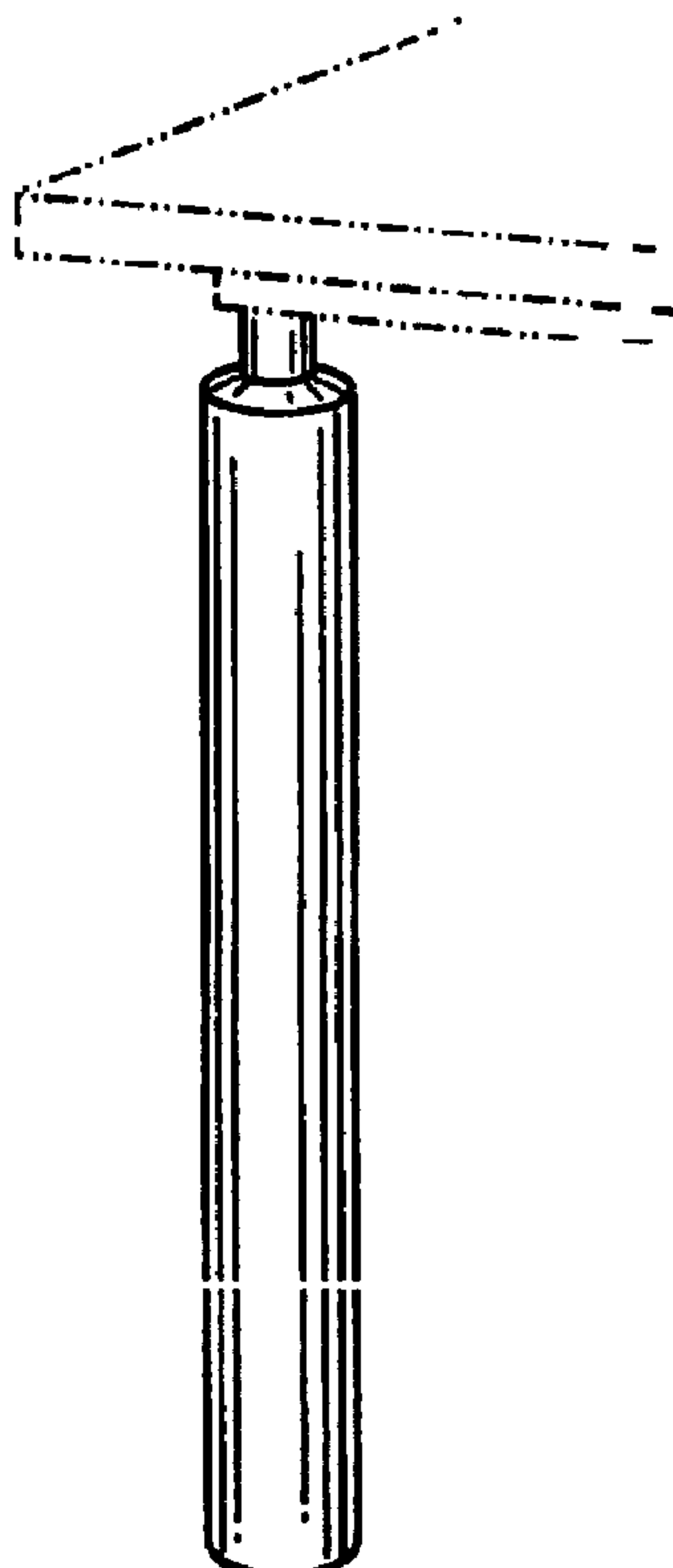
The broken line showing of the table top is for environmental purposes only and forms no part of the claimed design. Portions of the article are shown broken away whereby to indicate indeterminate length.

(56) **References Cited**

U.S. PATENT DOCUMENTS

- D147,114 S 7/1947 Cutrow
- 2,710,781 A * 6/1955 Haynes, Sr. 108/156
- D290,561 S 6/1987 Becker
- D341,506 S 11/1993 Nourse
- 5,395,088 A * 3/1995 Ginsberg 248/456
- D387,927 S * 12/1997 Canton Gongora et al. . D6/495
- D415,911 S * 11/1999 Grosfillex D6/495

1 Claim, 1 Drawing Sheet



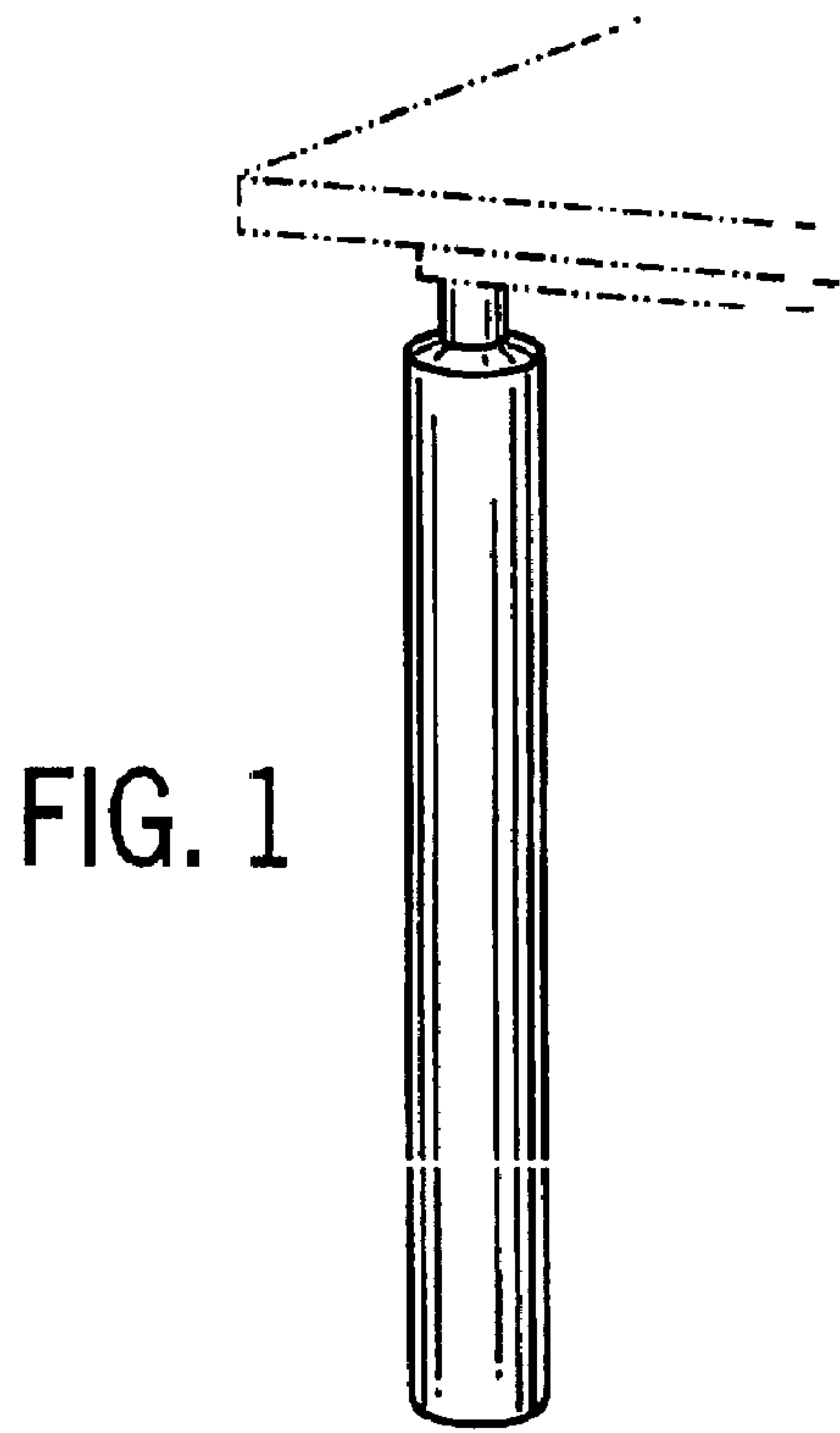


FIG. 3



FIG. 4

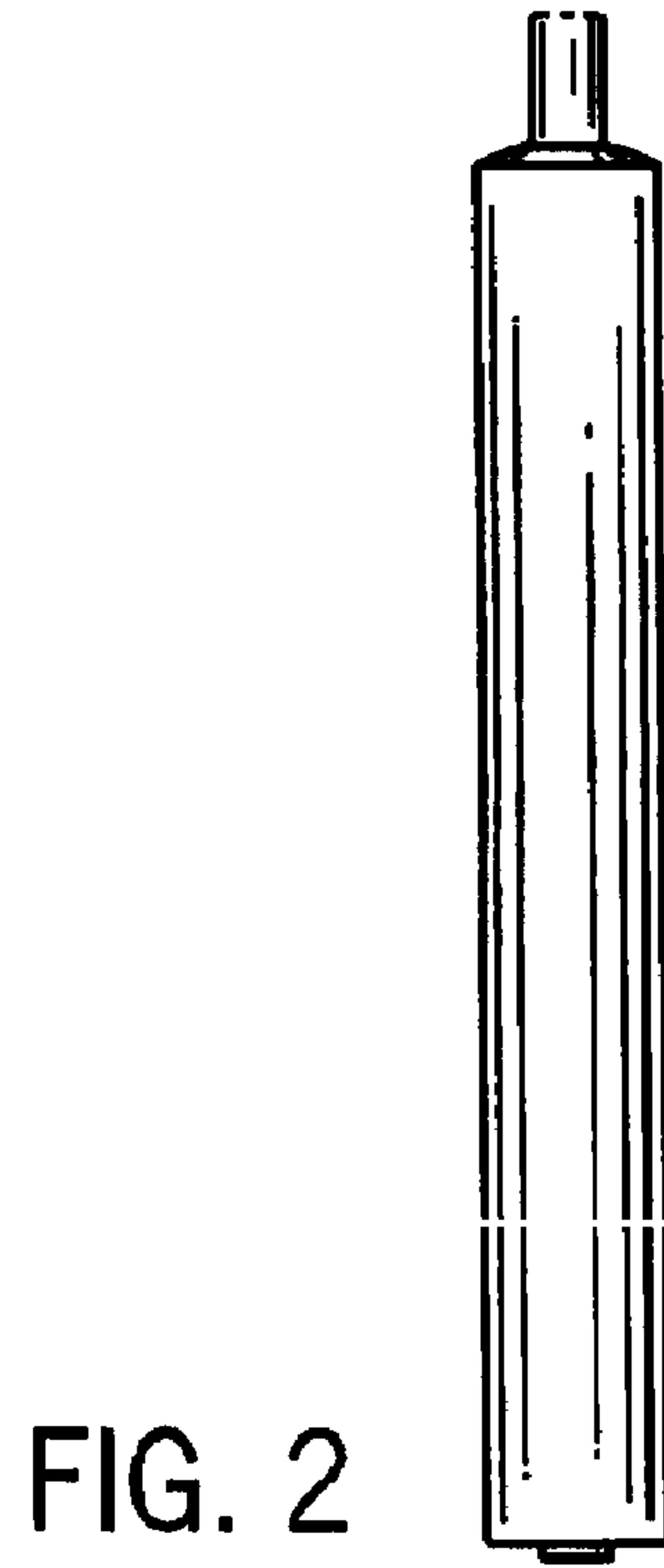


FIG. 2

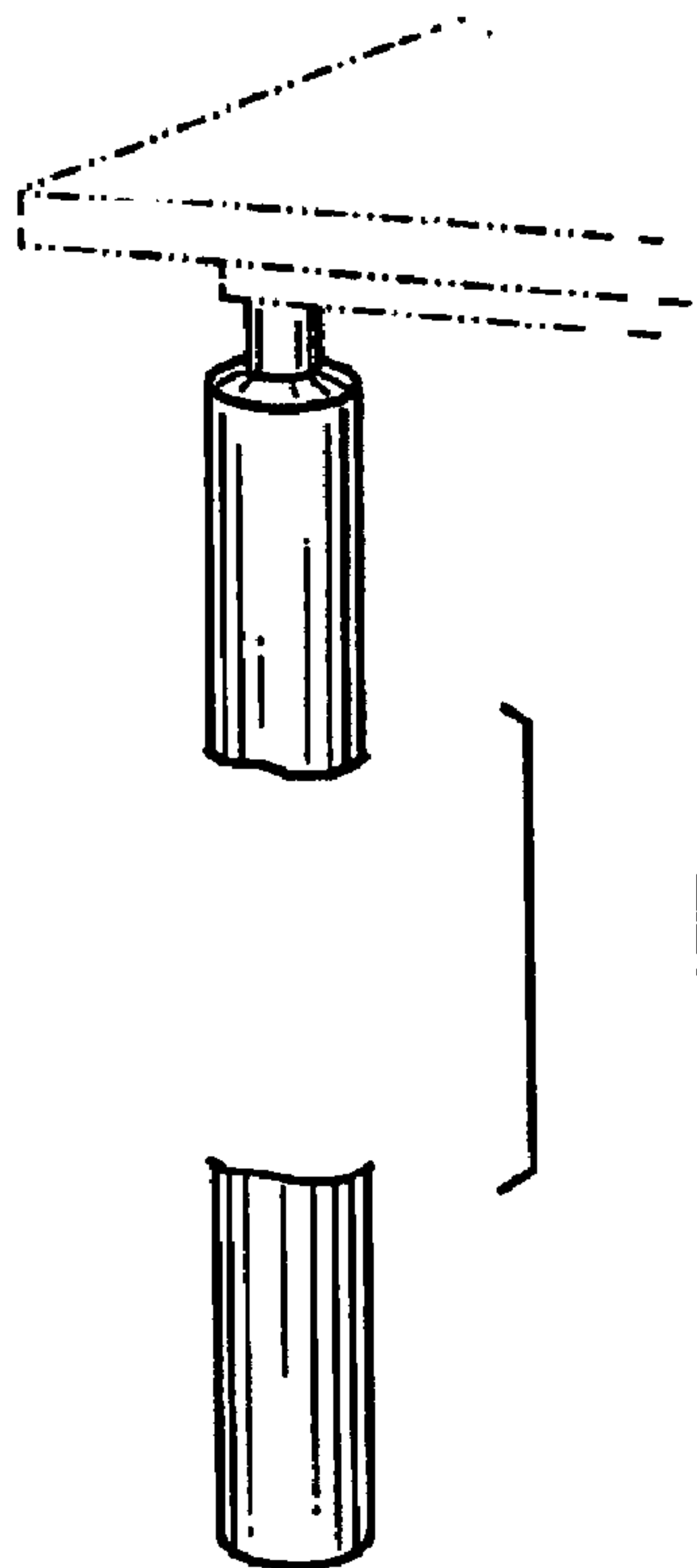


FIG. 5

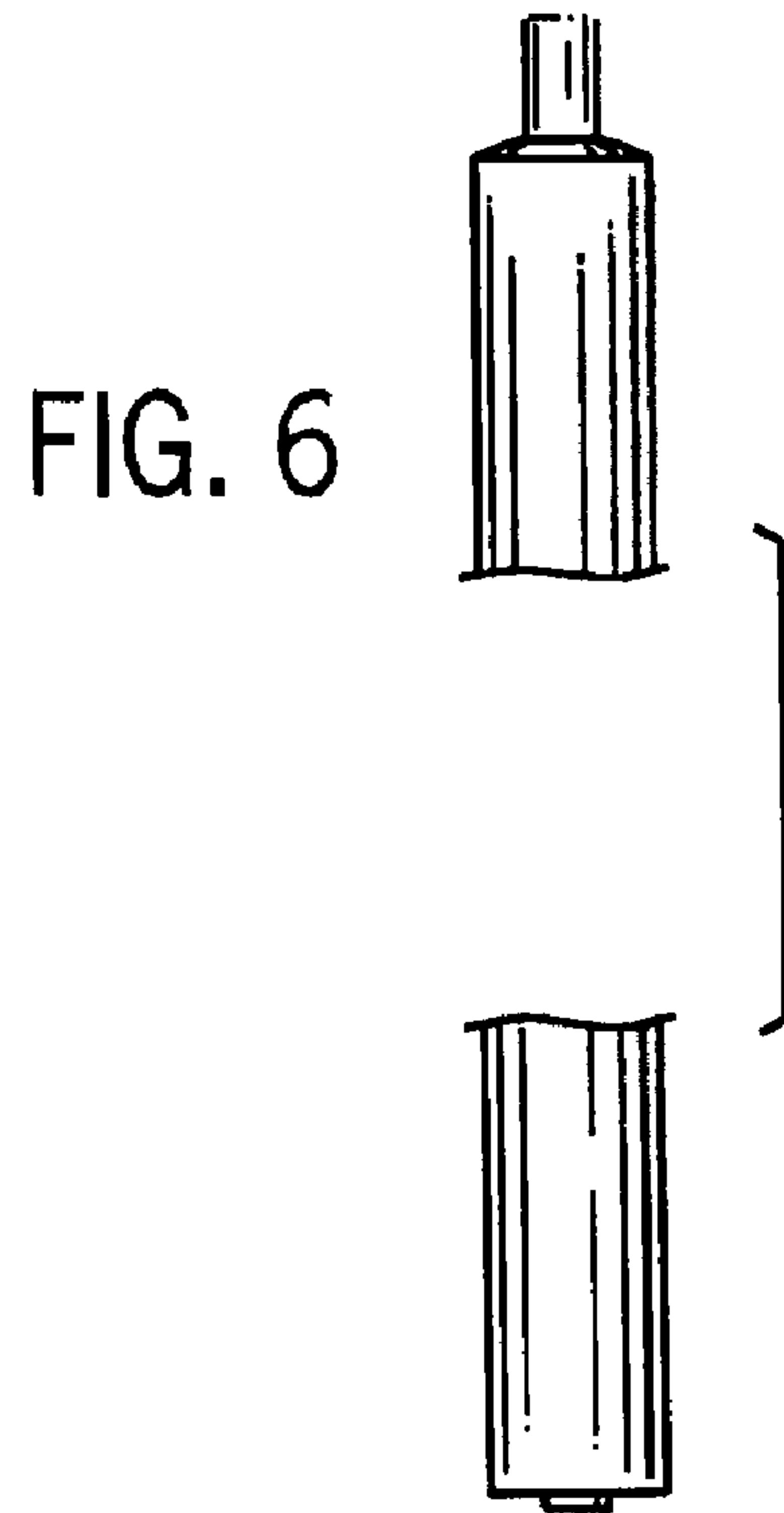


FIG. 6