



US00D517842S

(12) **United States Design Patent**
Diekman

(10) **Patent No.:** **US D517,842 S**

(45) **Date of Patent:** **** Mar. 28, 2006**

(54) **TABLE**

(76) **Inventor:** **Norman Joseph Diekman**, 160 E. 88th St., Apt. 9J, New York, NY (US) 10128

(**) **Term:** **14 Years**

(21) **Appl. No.:** **29/213,484**

(22) **Filed:** **Sep. 18, 2004**

(51) **LOC (8) Cl.** **06-06**

(52) **U.S. Cl.** **D6/495**

(58) **Field of Classification Search** D6/480-489,
D6/495-499; 108/150, 153.1, 155, 156, 157.1,
108/161; 248/188, 188.1, 188.8, 188.9
See application file for complete search history.

(56) **References Cited**

U.S. PATENT DOCUMENTS

- D161,538 S * 1/1951 Ross D6/474
- D216,471 S * 1/1970 Dixon D6/488
- D276,675 S * 12/1984 Hamami D6/483

D277,438 S * 2/1985 Passarello D6/483

* cited by examiner

Primary Examiner—Janice E. Seeger

(57) **CLAIM**

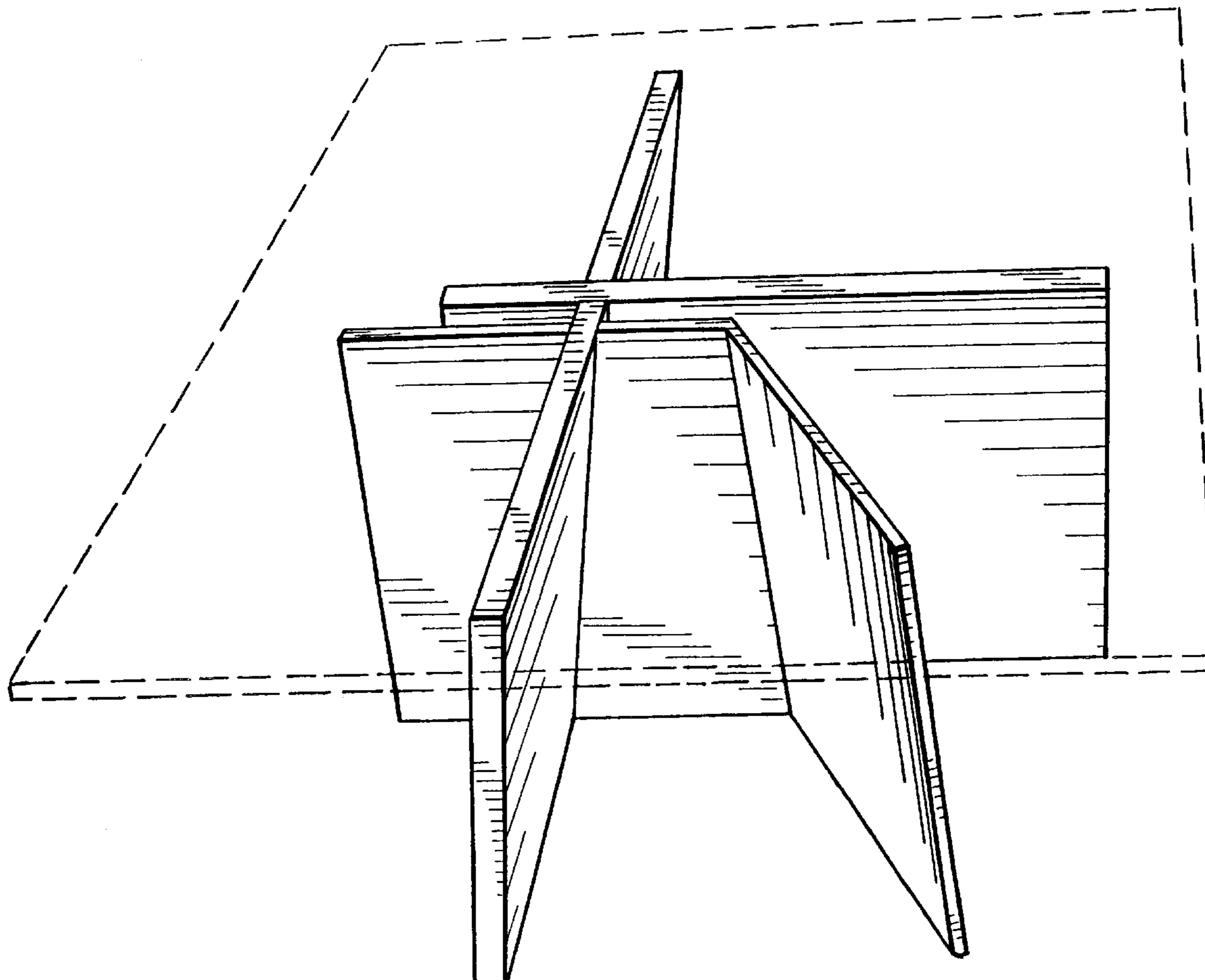
The ornamental design for a table, as shown and described.

DESCRIPTION

FIG. 1 is top, front, upper perspective of a view of a table embodying my new design;
 FIG. 2 is top, right side, upper perspective view thereof;
 FIG. 3 is top plan thereof;
 FIG. 4 is front elevational view thereof;
 FIG. 5 is rear elevational view thereof;
 FIG. 6 is right side elevational view thereof;
 FIG. 7 is left side elevational view thereof; and,
 FIG. 8 is bottom view thereof.

The broken lines are for environmental purposes only and form no part of the claimed design.

1 Claim, 5 Drawing Sheets



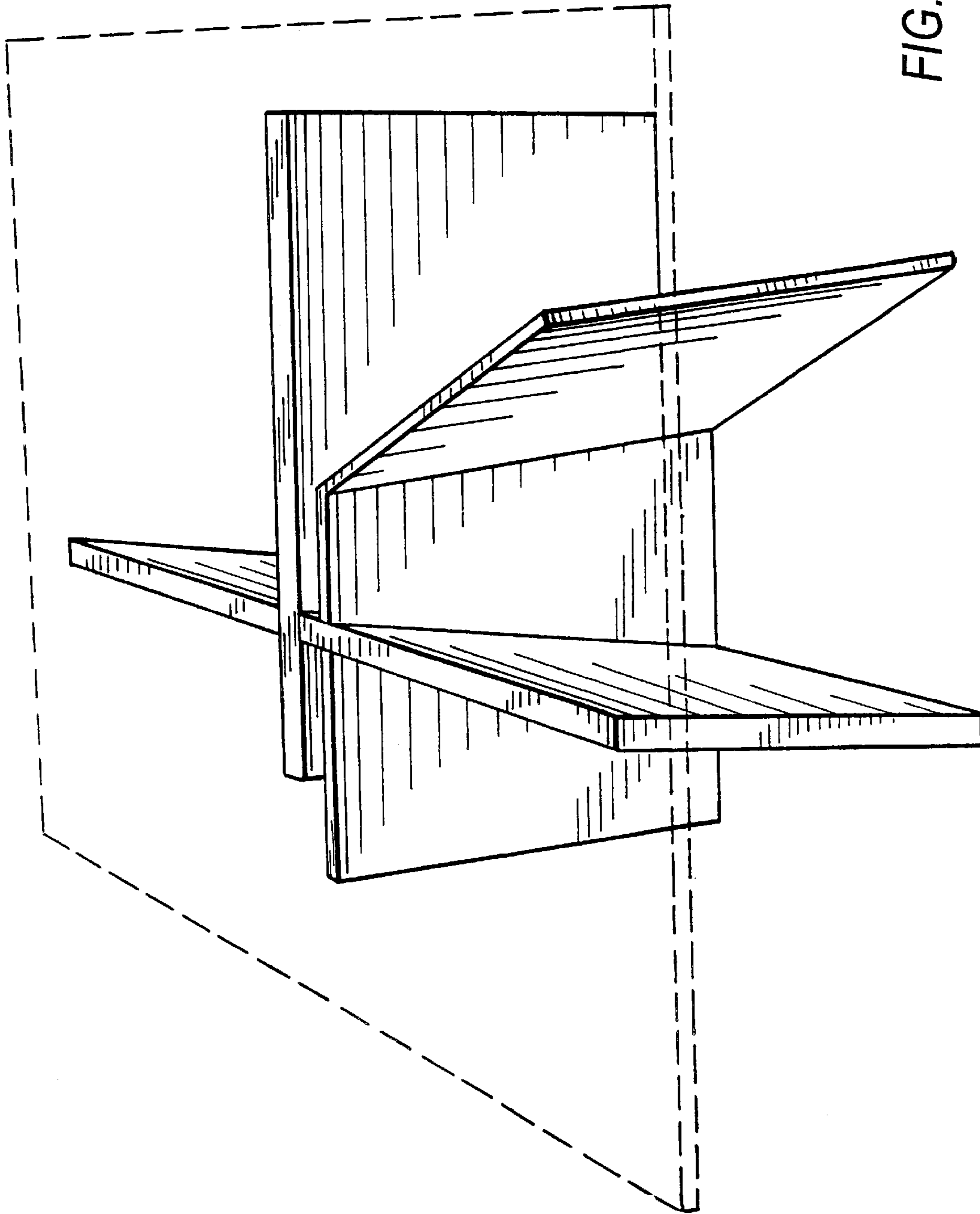


FIG. 1

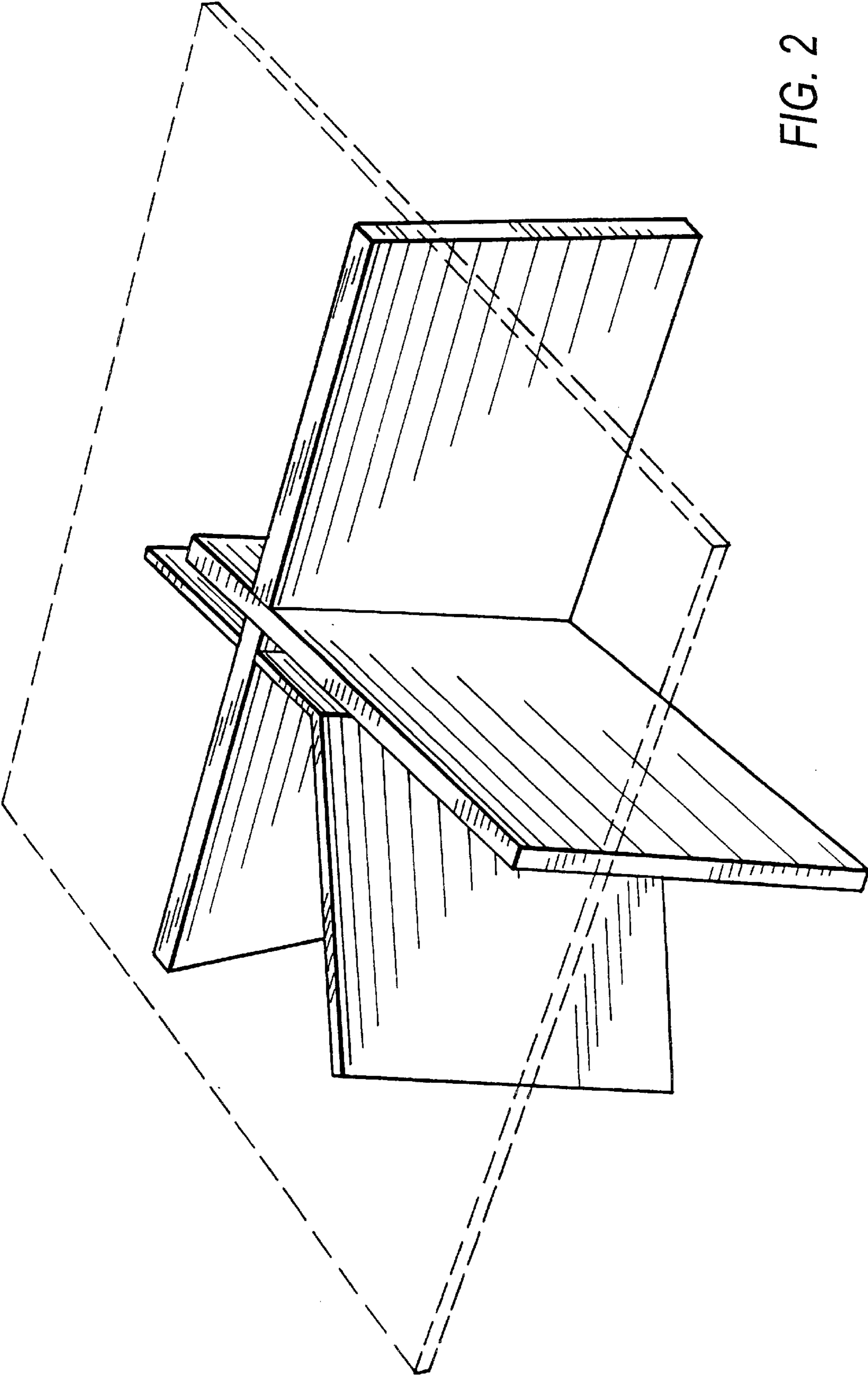


FIG. 2

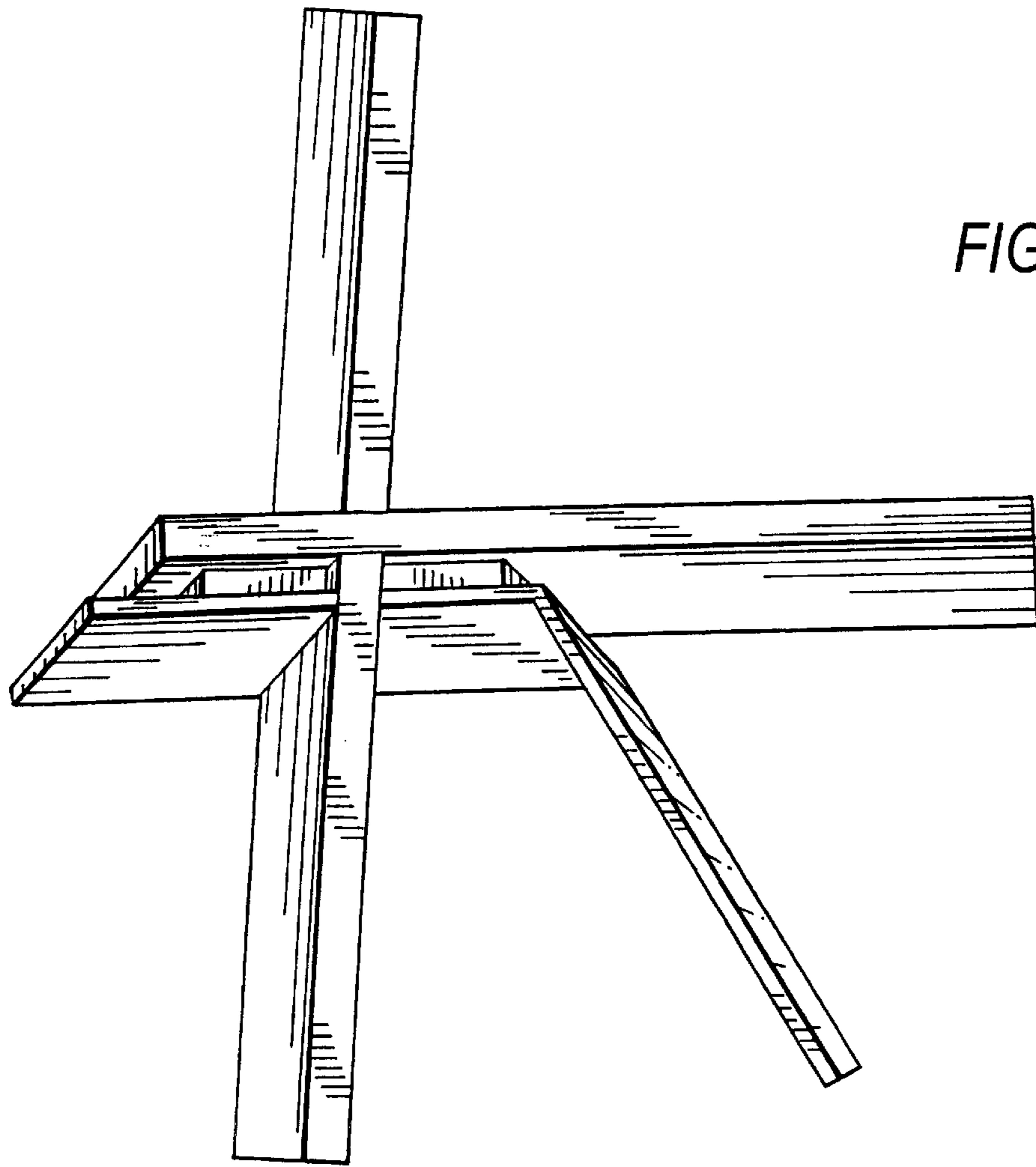


FIG. 3

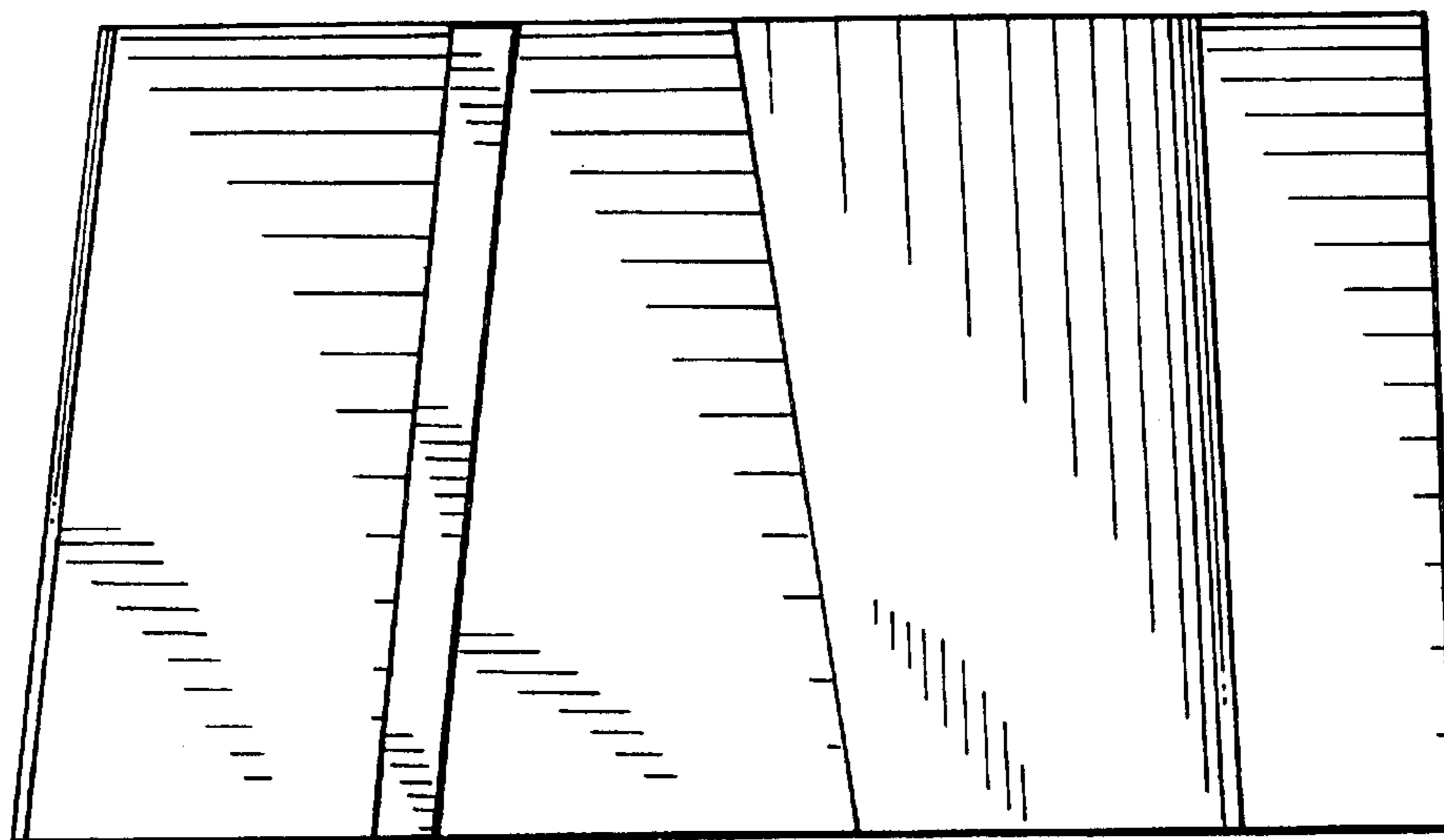


FIG. 4

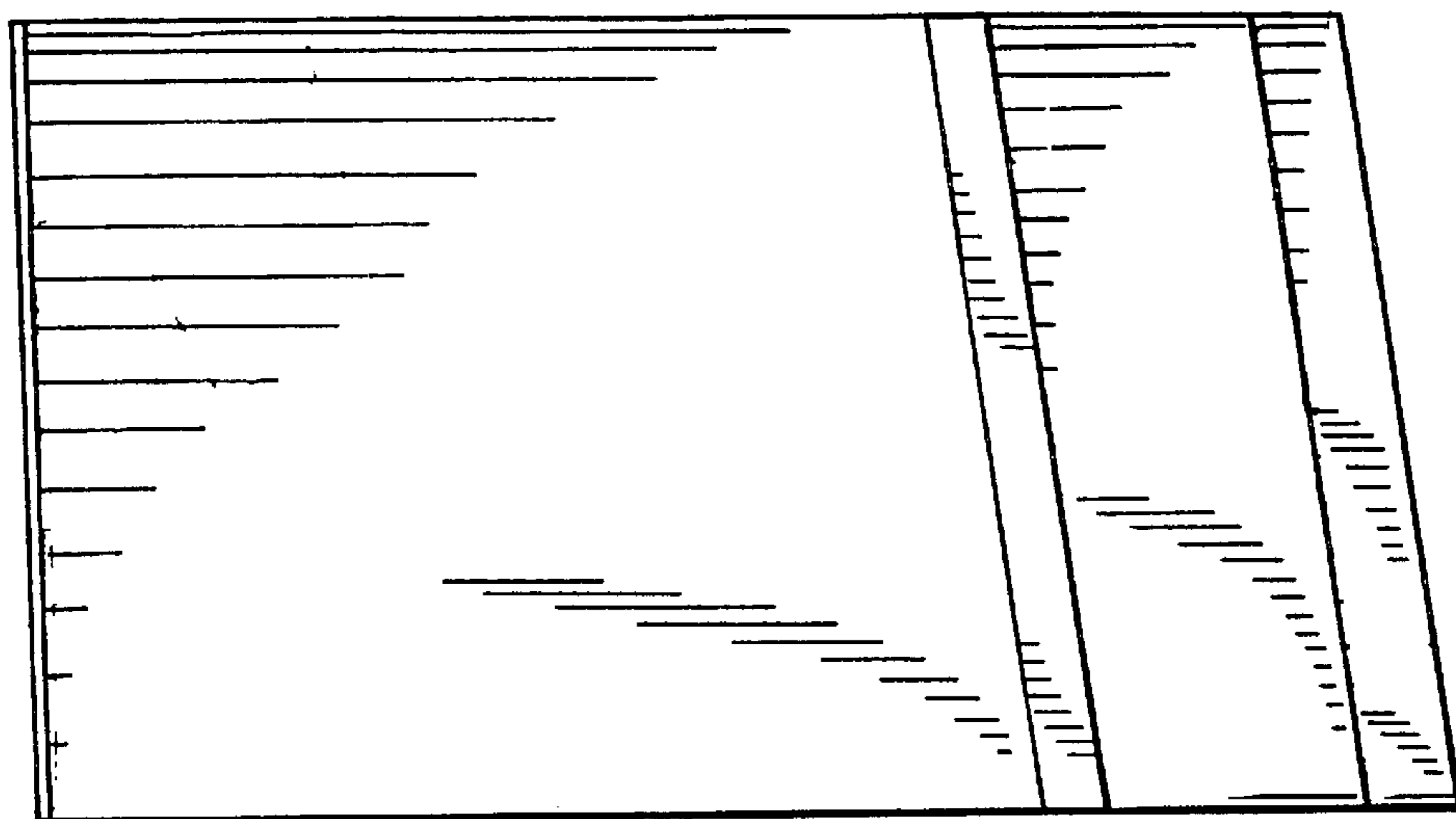


FIG. 5

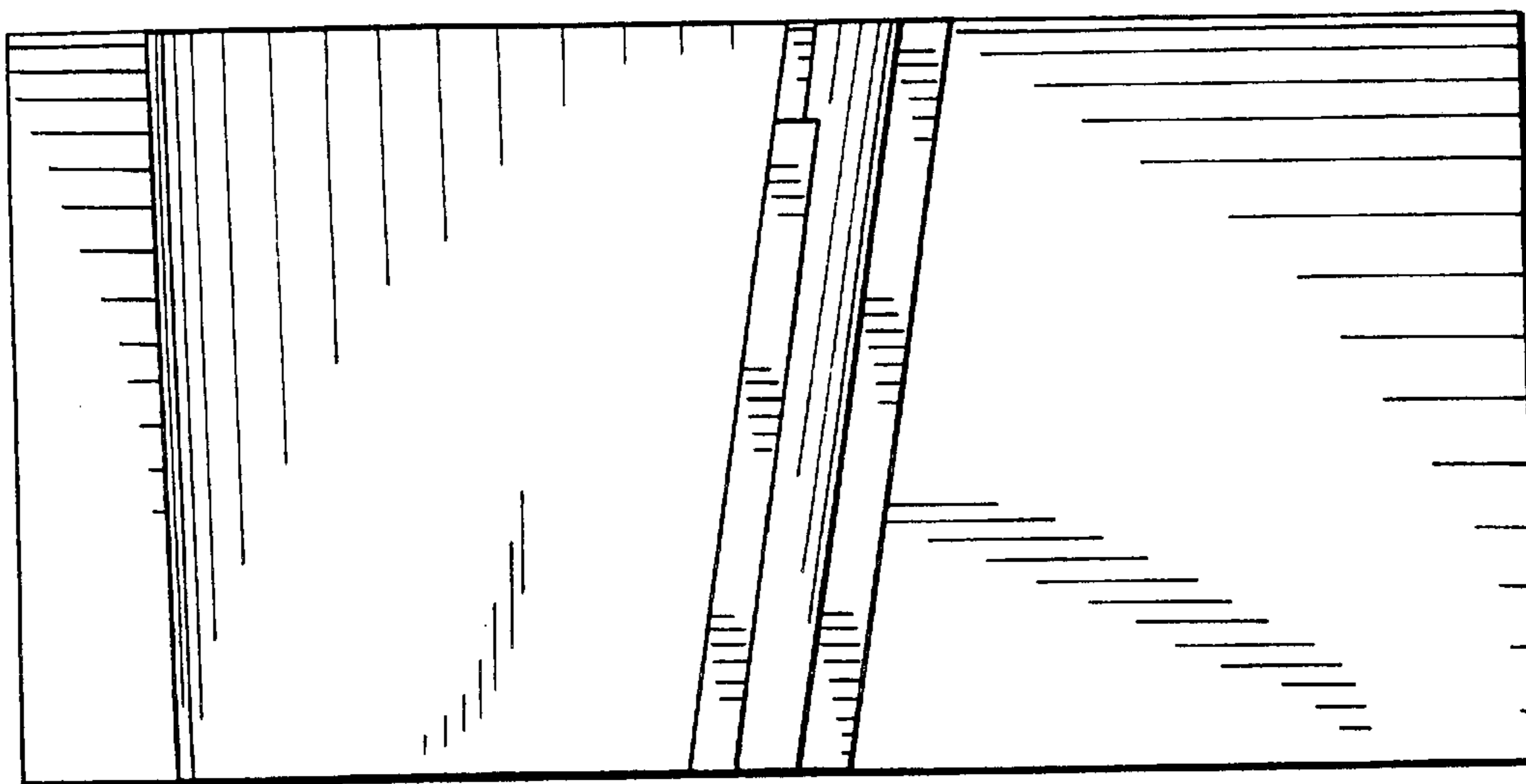


FIG. 6

FIG. 7

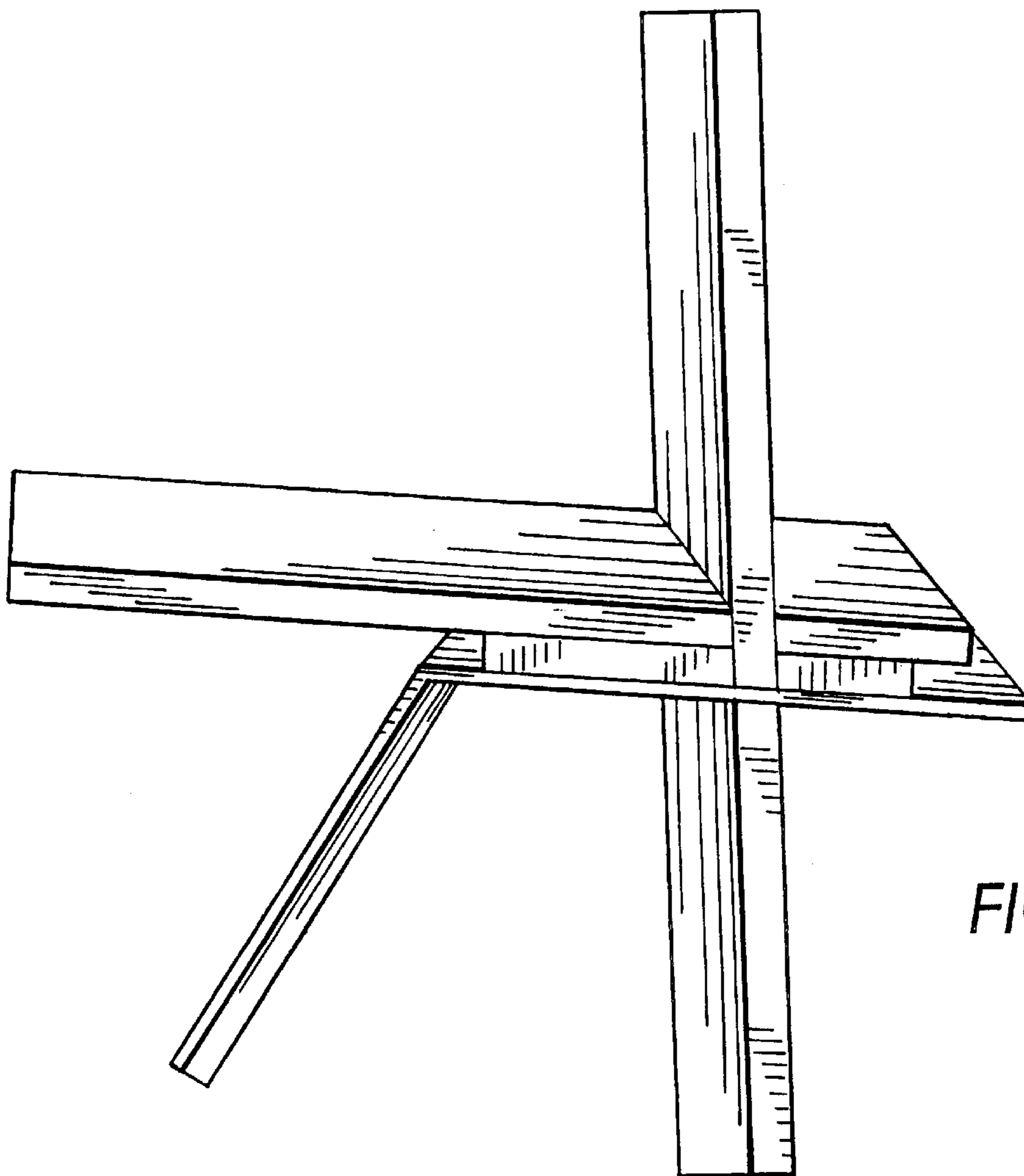
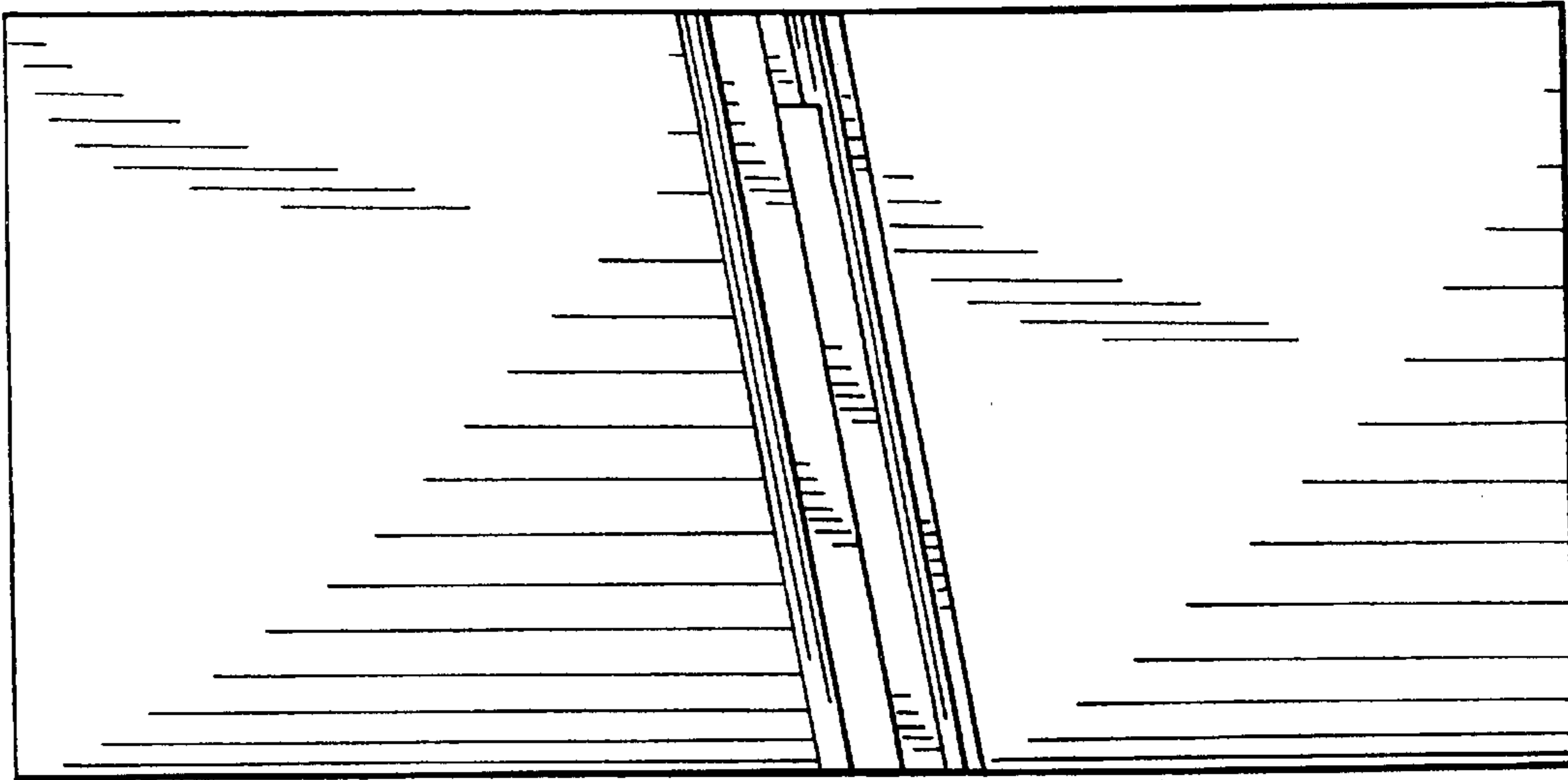


FIG. 8