



US00D517840S

(12) **United States Design Patent** (10) **Patent No.:** **US D517,840 S**
Katz et al. (45) **Date of Patent:** **** Mar. 28, 2006**

(54) **TABLE**

(75) Inventors: **Jeffrey B. Katz**, Hickory, NC (US);
Gary A. Huffstetler, Lenoir, NC (US);
Scott C. Dergins, Morganton, NC (US)

(73) Assignee: **Broyhill Furnitures Industries, Inc.**,
Lenoir, NC (US)

(**) Term: **14 Years**

(21) Appl. No.: **29/202,763**

(22) Filed: **Apr. 5, 2004**

(51) **LOC (8) Cl.** **06-03**

(52) **U.S. Cl.** **D6/488**

(58) **Field of Classification Search** D6/480-489,
D6/495-499, 349, 477, 429, 430; 248/188,
248/188.1, 188.8, 188.9; 108/153.1, 155,
108/156, 157.1, 161, 69

See application file for complete search history.

(56) **References Cited**

U.S. PATENT DOCUMENTS

D158,055 S * 4/1950 D'Ambrosio D6/489
D343,079 S * 1/1994 Wegener D6/480
D377,279 S * 1/1997 Lenger D6/436
D469,987 S * 2/2003 Stanton D6/480

OTHER PUBLICATIONS

U.S. Appl. No. 29/185,588, filed Jun. 30, 2003, Katz et al.
U.S. Appl. No. 29/185,551, filed Jun. 30, 2003, Katz et al.
U.S. Appl. No. 29/185,550, filed Jun. 30, 2003, Katz et al.
U.S. Appl. No. 29/186,159, filed Jul. 10, 2003, Katz et al.
U.S. Appl. No. 29/185,574, filed Jun. 30, 2003, Katz et al.
U.S. Appl. No. 29/185,579, filed Jun. 27, 2003, Katz et al.
U.S. Appl. No. 29/185,566, filed Jun. 30, 2003, Katz et al.
U.S. Appl. No. 29/185,890, filed Jul. 3, 2003, Katz et al.
U.S. Appl. No. 29/185,623, filed Jun. 30, 2003, Katz et al.
U.S. Appl. No. 29/185,669, filed Jun. 20, 2003, Katz et al.
U.S. Appl. No. 29/185,896, filed Jul. 2, 2003, Katz et al.
U.S. Appl. No. 29/185,888, filed Jul. 2, 2003, Katz et al.
U.S. Appl. No. 29/186,062, filed Jul. 9, 2003, Katz et al.

U.S. Appl. No. 29/186,074, filed Jul. 9, 2003, Katz et al.
U.S. Appl. No. 29/186,171, filed Jul. 10, 2003, Katz et al.
U.S. Appl. No. 29/186,158, filed Jul. 10, 2003, Katz et al.
U.S. Appl. No. 29/185,897, filed Jul. 2, 2003, Katz et al.
U.S. Appl. No. 29/185,891, filed Jul. 3, 2003, Katz et al.
U.S. Appl. No. 29/185,511, filed Jun. 27, 2003, Katz et al.
U.S. Appl. No. 29/186,063, filed Jul. 9, 2003, Katz et al.
U.S. Appl. No. 29/185,445, filed Jun. 27, 2003, Katz et al.
U.S. Appl. No. 29/186,157, filed Jul. 10, 2003, Katz et al.
U.S. Appl. No. 29/202,937, filed Apr. 7, 2004, Katz, et al.
U.S. Appl. No. 29/202,991, filed Apr. 7, 2004, Katz, et al.
U.S. Appl. No. 29/202,936, filed Apr. 7, 2004, Katz, et al.
U.S. Appl. No. 29/202,993, filed Apr. 7, 2004, Katz, et al.
U.S. Appl. No. 29/202,989, filed Apr. 7, 2004, Katz, et al.
U.S. Appl. No. 29/202,992, filed Apr. 7, 2004, Katz, et al.
U.S. Appl. No. 29/202,817, filed Apr. 5, 2004, Katz, et al.
U.S. Appl. No. 29/202,901, filed Apr. 6, 2004, Katz, et al.
U.S. Appl. No. 29/202,797, filed Apr. 5, 2004, Katz, et al.
U.S. Appl. No. 29/202,799, filed Apr. 5, 2004, Katz, et al.
U.S. Appl. No. 29/202,818, filed Apr. 5, 2004, Katz, et al.
U.S. Appl. No. 29/202,763, filed Apr. 5, 2004, Katz, et al.
U.S. Appl. No. 29/202,877, filed Apr. 6, 2004, Katz, et al.
U.S. Appl. No. 29/202,853, filed Apr. 6, 2004, Katz, et al.
U.S. Appl. No. 29/202,820, filed Apr. 5, 2004, Katz, et al.

(Continued)

Primary Examiner—Janice E. Seeger
(74) *Attorney, Agent, or Firm*—Thompson Coburn LLP

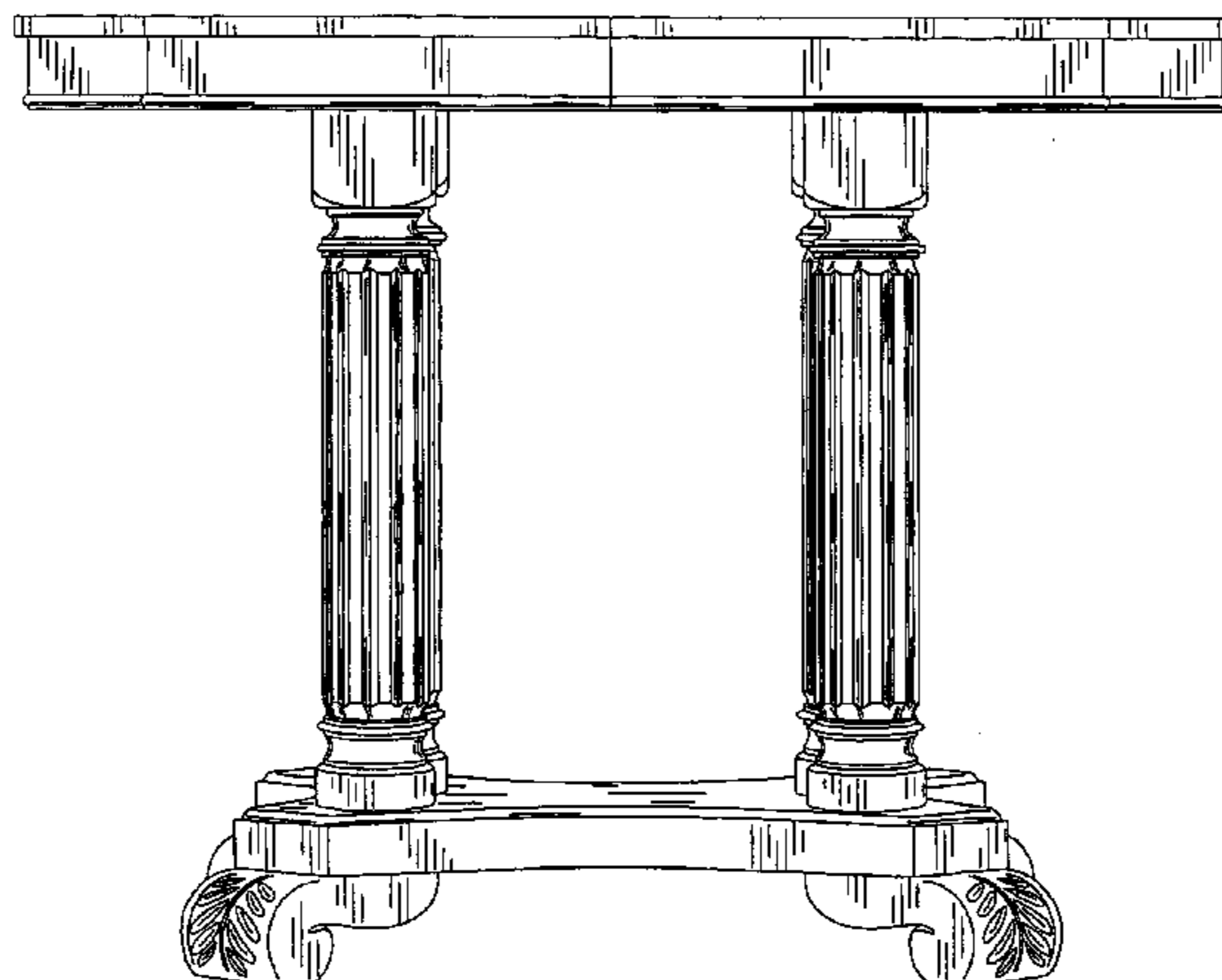
(57) **CLAIM**

The ornamental design for a table, as shown and described.

DESCRIPTION

FIG. 1 is a front perspective view of a table showing our new design;
FIG. 2 is a right side perspective view thereof, the left side being a mirror image of the right side; and,
FIG. 3 is a top plan view thereof.
The surfaces or portions of the article not shown in the Figures or described in the specification form no part of the claimed design.

1 Claim, 3 Drawing Sheets



OTHER PUBLICATIONS

U.S. Appl. No. 29/202,796, filed Apr. 5, 2004, Katz, et al.
U.S. Appl. No. 29/202,821, filed Apr. 5, 2004, Katz, et al.
U.S. Appl. No. 29/202,798, filed Apr. 5, 2004, Katz, et al.
U.S. Appl. No. 29/202,819, filed Apr. 5, 2004, Katz, et al.
U.S. Appl. No. 29/202,822, filed Apr. 5, 2004, Katz, et al.
U.S. Appl. No. 29/203,923, filed Apr. 21, 2004, Katz, et al.
Broyhill Furniture Industries, Compilation of Photos of Furniture Designs, unpublished. This compilation is a collection of photographs, advertisement, brochures, articles, etc. compiled, and pages numbered by the subject inventors. Most of the pages are of unknown dates, and are from unknown publications, but for purposes of examination,

applicants admit to their publications more than one year prior to the filing date of the subject application.

Broyhill Furniture Industries, Compilation of Color Photos of Furniture Designs, unpublished. This compilation is a selection, reproduced in color for a clearer view of certain designs.

Miller, Judith, et al. Miller's Pine & Country Furniture Buying Guide. 195, pp. 21, 67-68, 113, 117, 132, 147-148, 165, 179, 198, 221, 223, 246-247. Miller's Publications Ltd., Tenterden, Kent, England.

Compilation beginning with American Antiques by Norman Hudson.

* cited by examiner

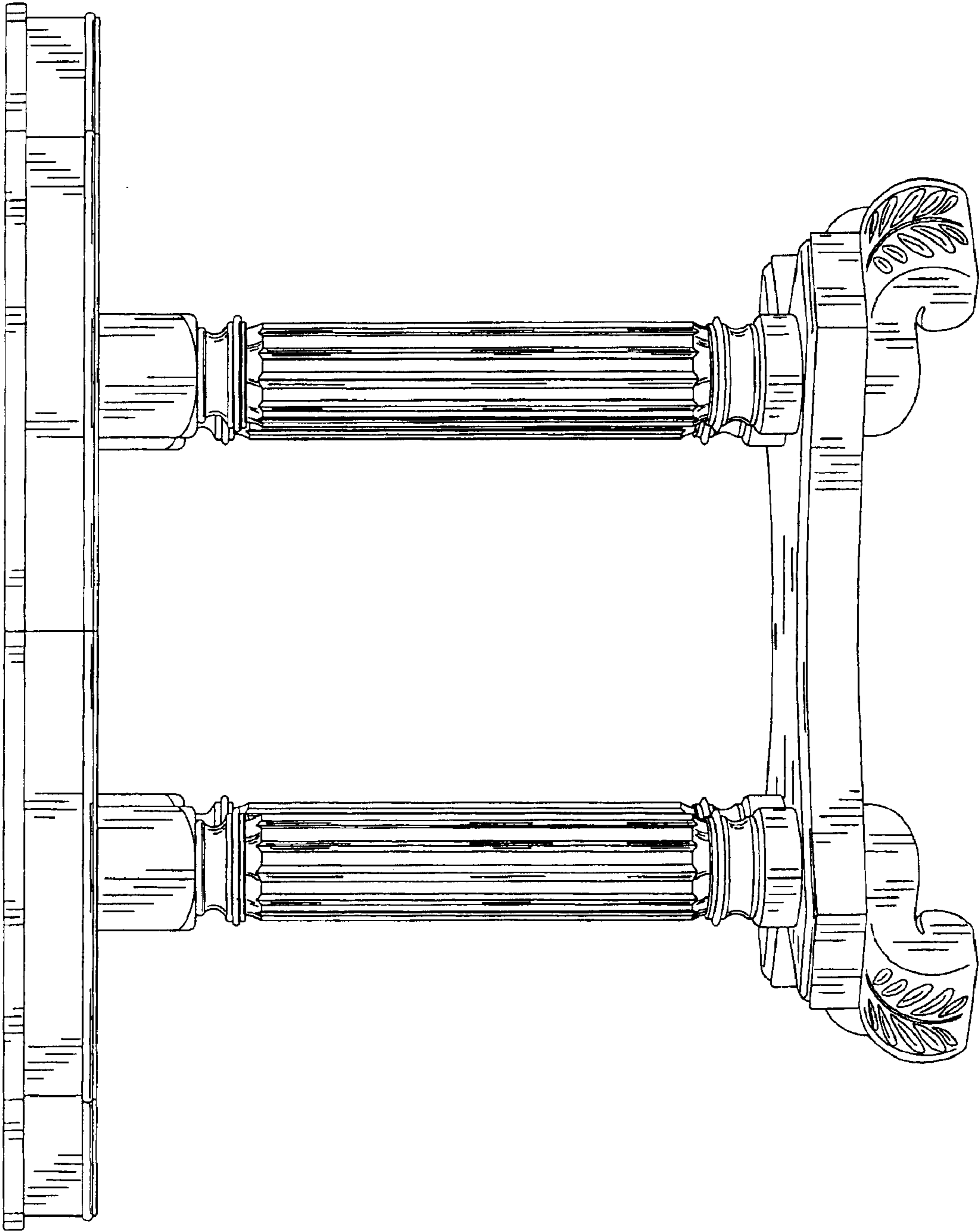


Figure 1

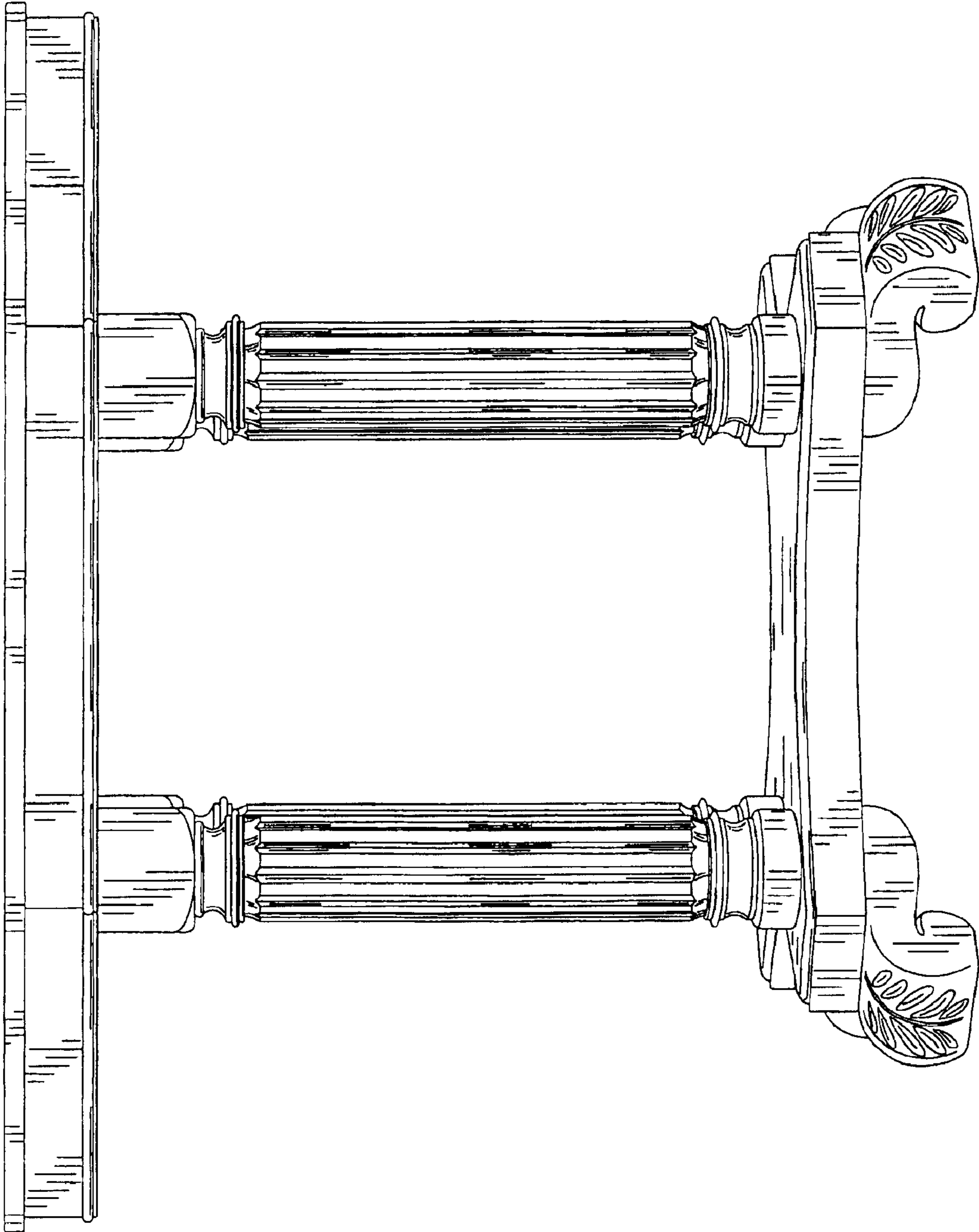


Figure 2

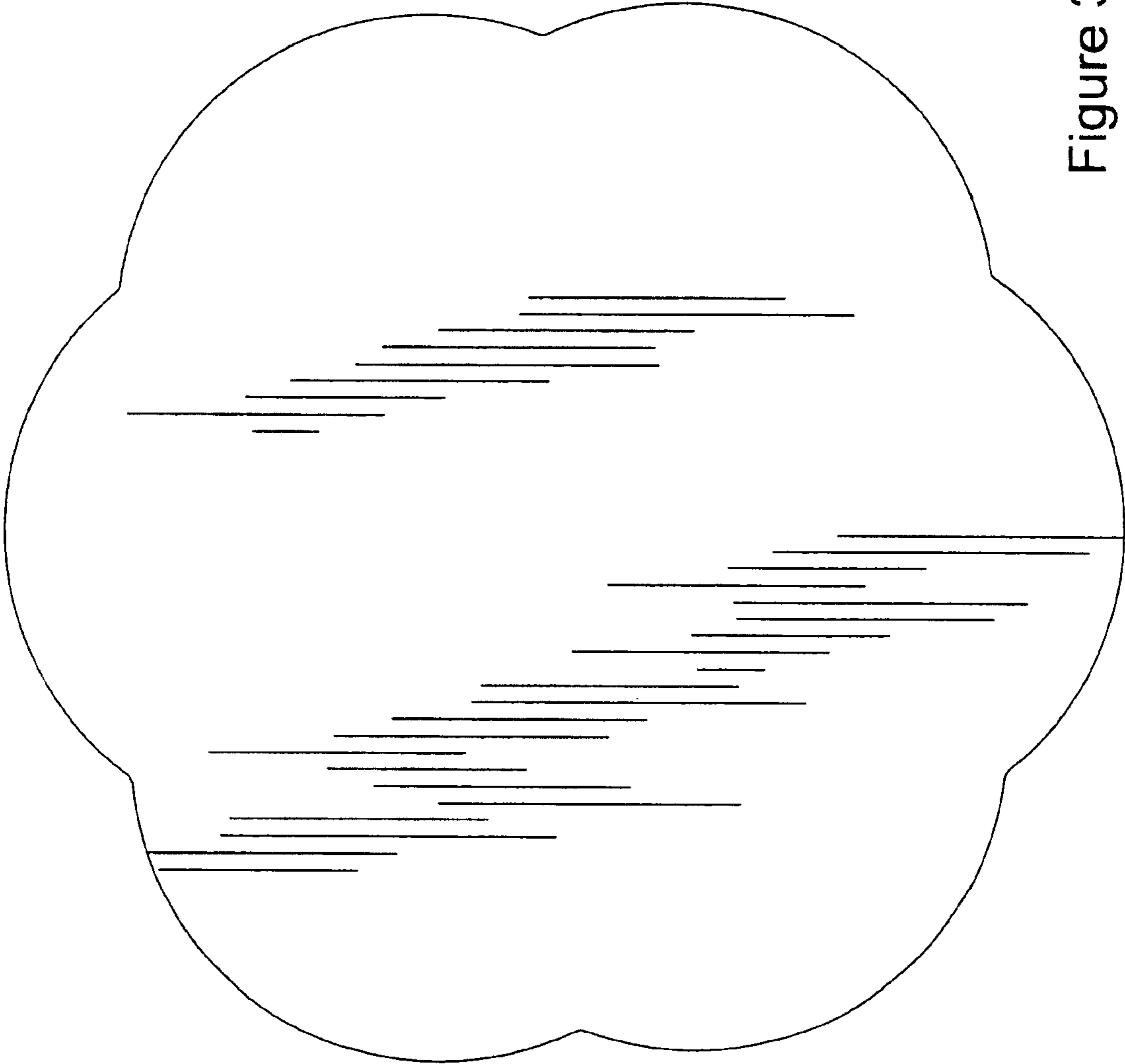


Figure 3