



US00D517838S

(12) **United States Design Patent**  
**Luong**

(10) **Patent No.:** **US D517,838 S**  
(45) **Date of Patent:** **\*\* Mar. 28, 2006**

(54) **ENTERTAINMENT CENTER**

D505,807 S \* 6/2005 Goto et al. .... D6/477

(75) Inventor: **Phuoc Hong Luong**, Fountain Valley,  
CA (US)

\* cited by examiner

*Primary Examiner*—Cathron C. Brooks

(73) Assignee: **Elite Manufacturing Corporation**,  
Santa Fe Springs, CA (US)

(74) *Attorney, Agent, or Firm*—Marvin E. Jacobs

(\*\*) Term: **14 Years**

(57) **CLAIM**

The ornamental design for entertainment center, as shown  
and described.

(21) Appl. No.: **29/228,698**

**DESCRIPTION**

(22) Filed: **Apr. 26, 2005**

(51) **LOC (8) Cl.** ..... **06-04**

FIG. 1 is a perspective view of the entertainment center of  
the invention (broken lines of a plasma T.V. are for illus-  
trative purposes only and forms no part of the claimed  
design);

(52) **U.S. Cl.** ..... **D6/477; D6/479; D6/466;**  
D14/129

FIG. 2 is a front elevational view of the entertainment center  
of FIG. 1;

(58) **Field of Classification Search** ..... D6/460,  
D6/461, 468, 474, 477-479; D14/126, 129;  
312/7.2, 9.1; 108/59, 91, 92, 96; 211/40,  
211/41.12, 42, 49.1, 50, 85.2, 90.04, 187,  
211/190, 119.003, 134.153, 87.01, 71.01

FIG. 3 is a right side elevational view of the entertainment  
center (left side is identical) of FIG. 1;

See application file for complete search history.

FIG. 4 is a rear elevational view of the entertainment center  
of FIG. 1;

(56) **References Cited**

FIG. 5 is a top plan view of the entertainment center of FIG.  
1; and,

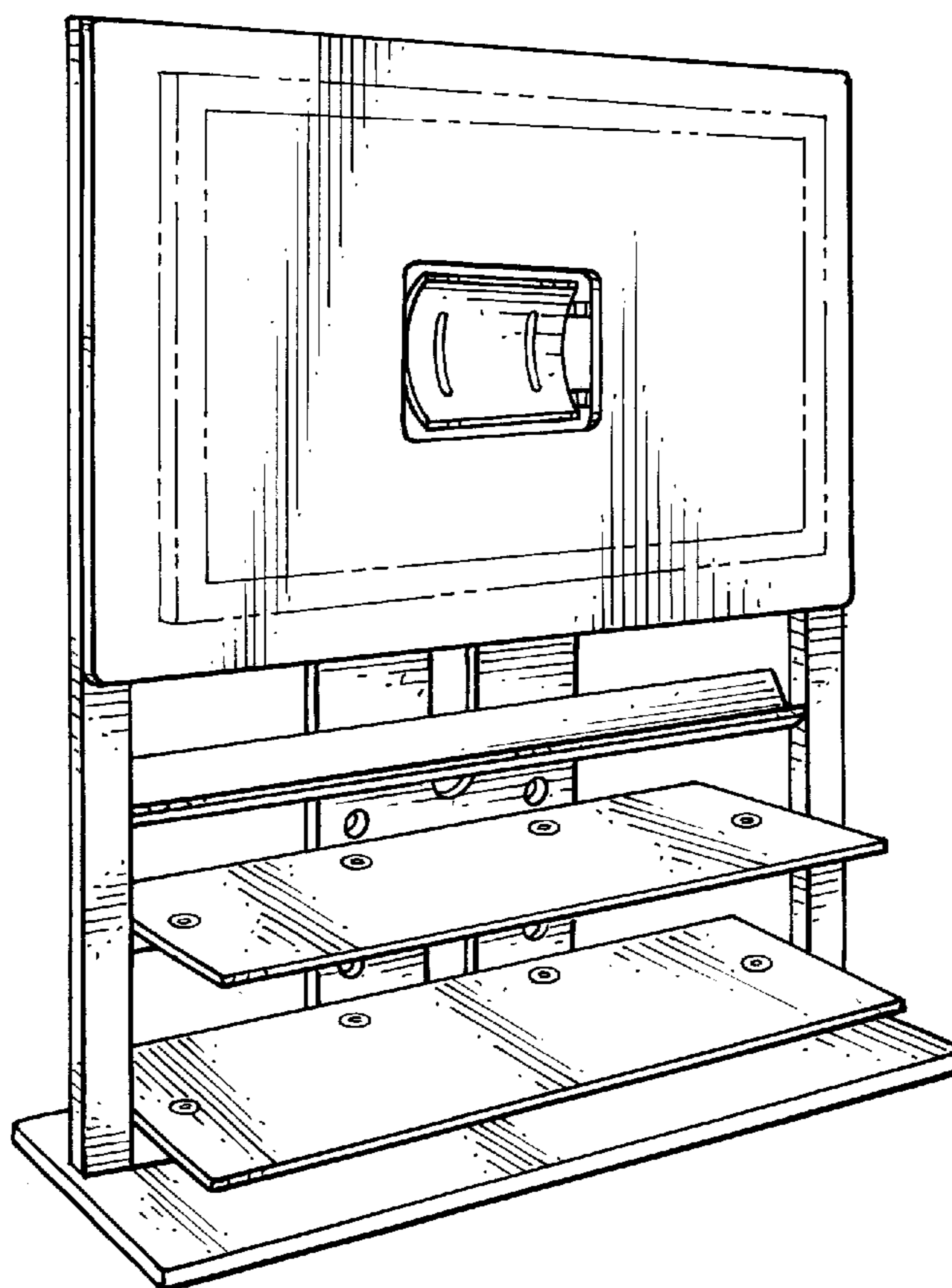
**U.S. PATENT DOCUMENTS**

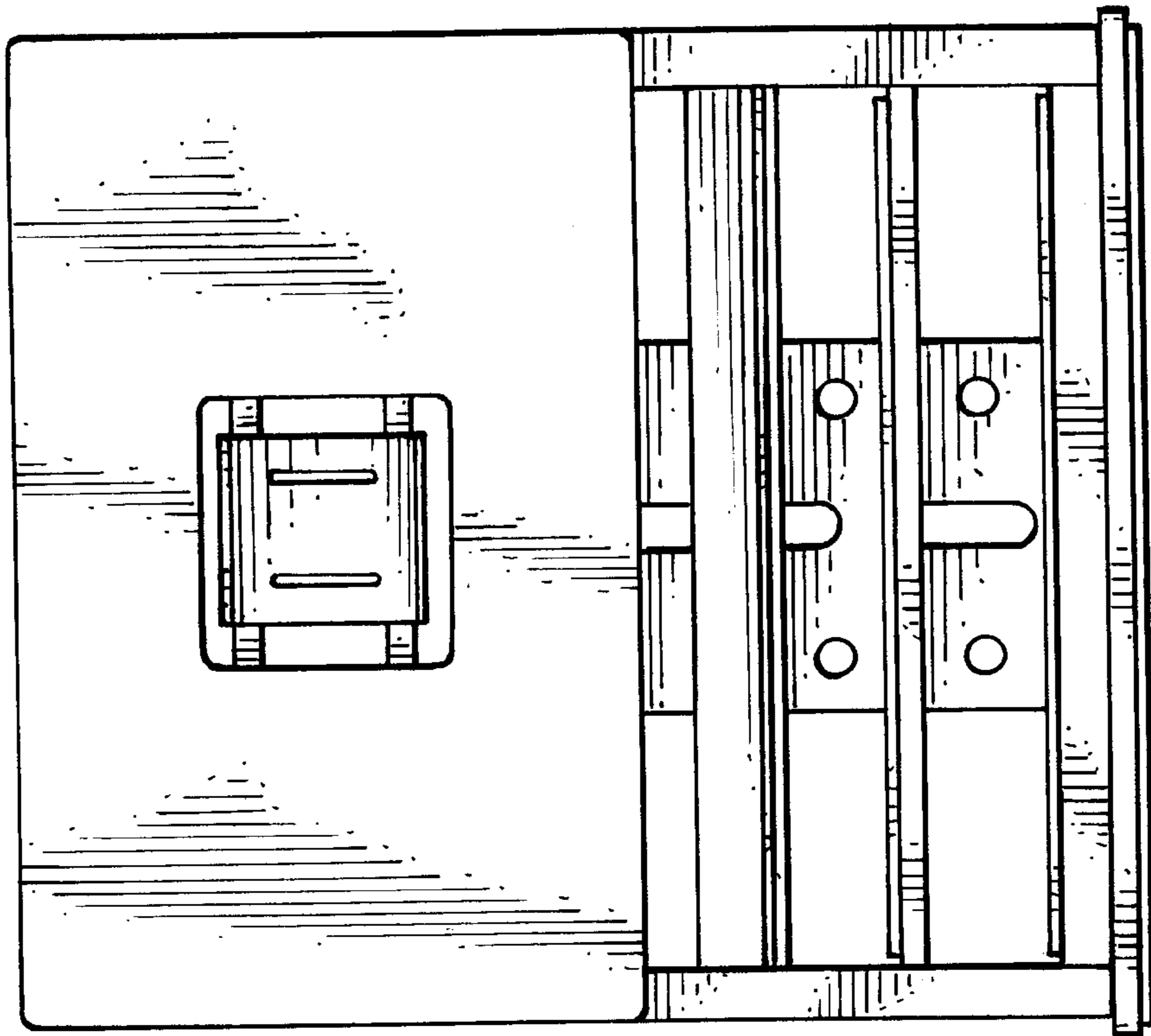
FIG. 6 is a bottom plan view of the entertainment center of  
FIG. 1.

D488,785 S \* 4/2004 Ohba et al. .... D14/126

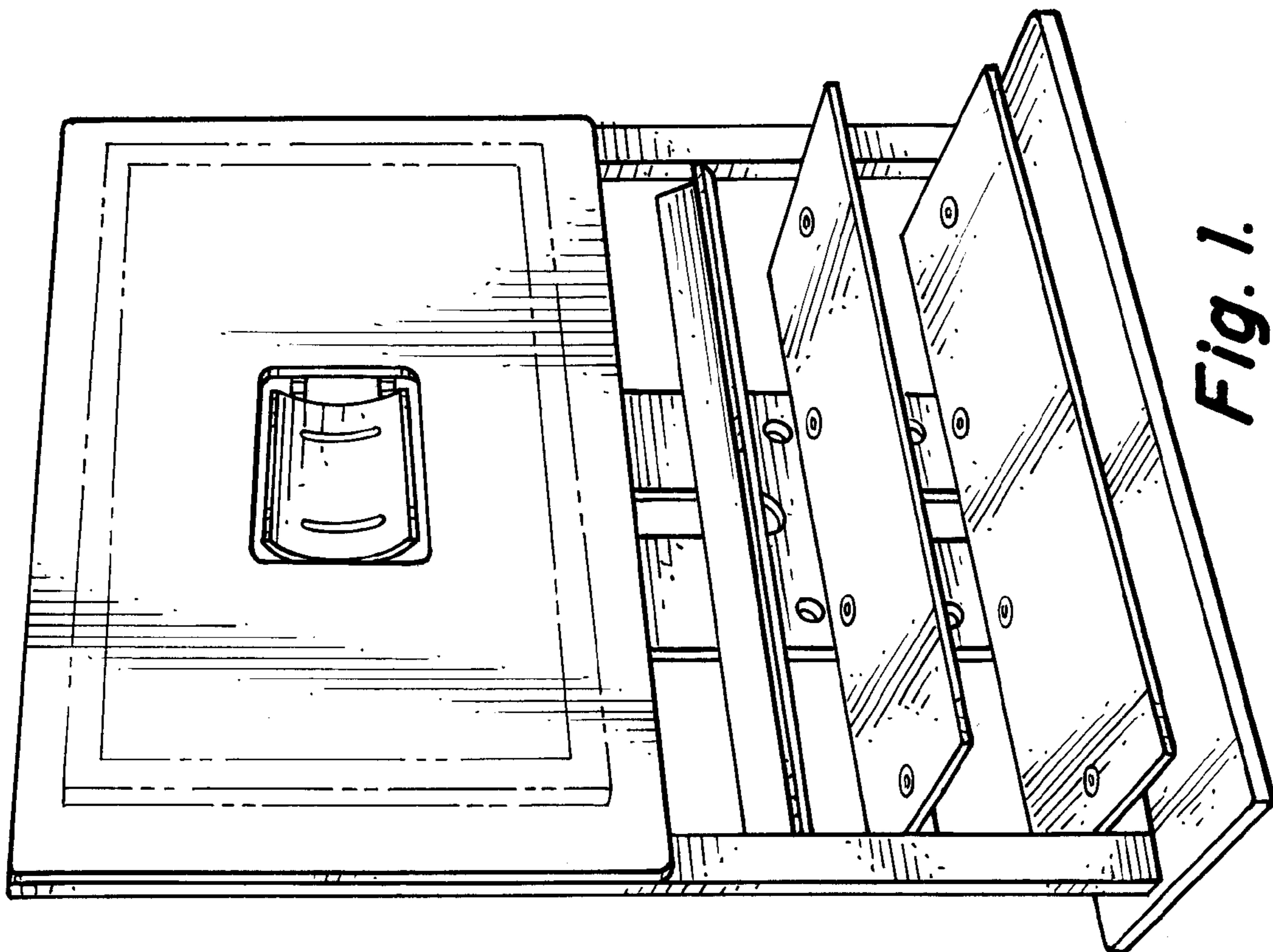
D495,163 S \* 8/2004 Weatherly ..... D6/479

**1 Claim, 2 Drawing Sheets**

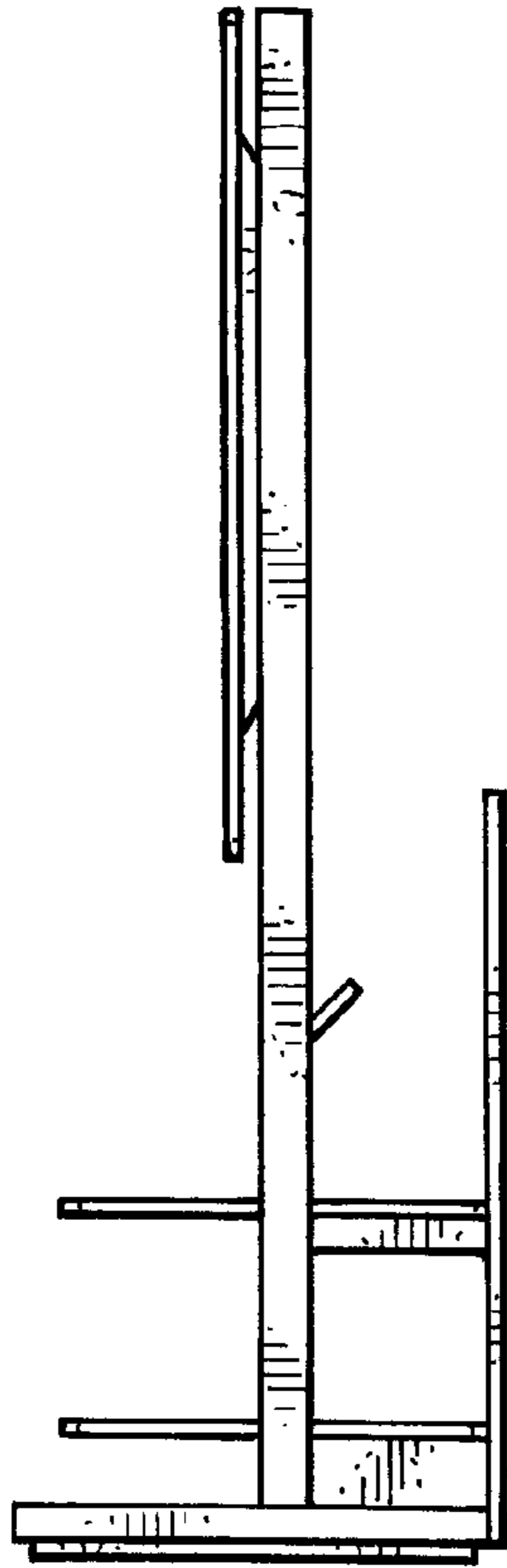




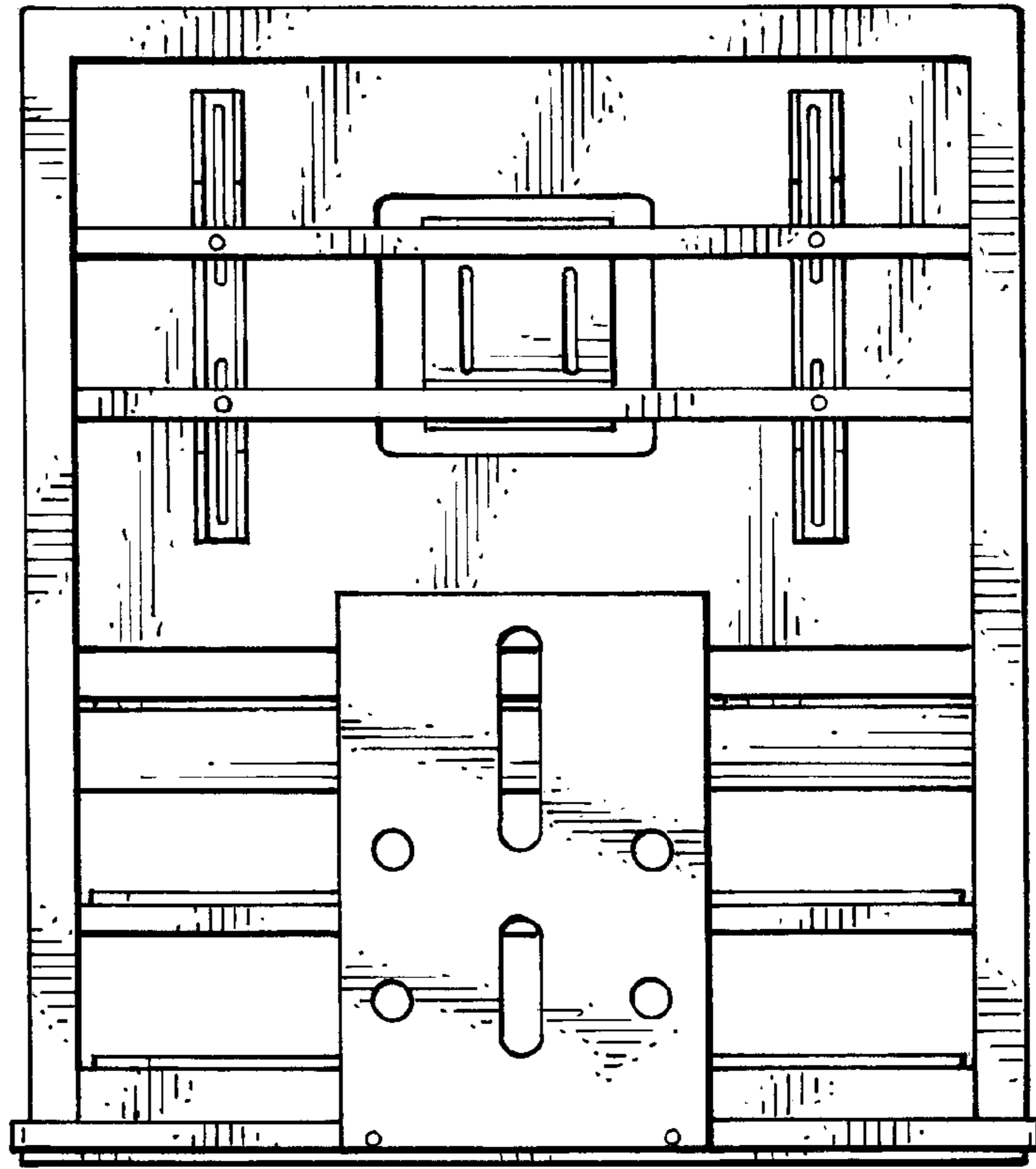
*Fig. 2.*



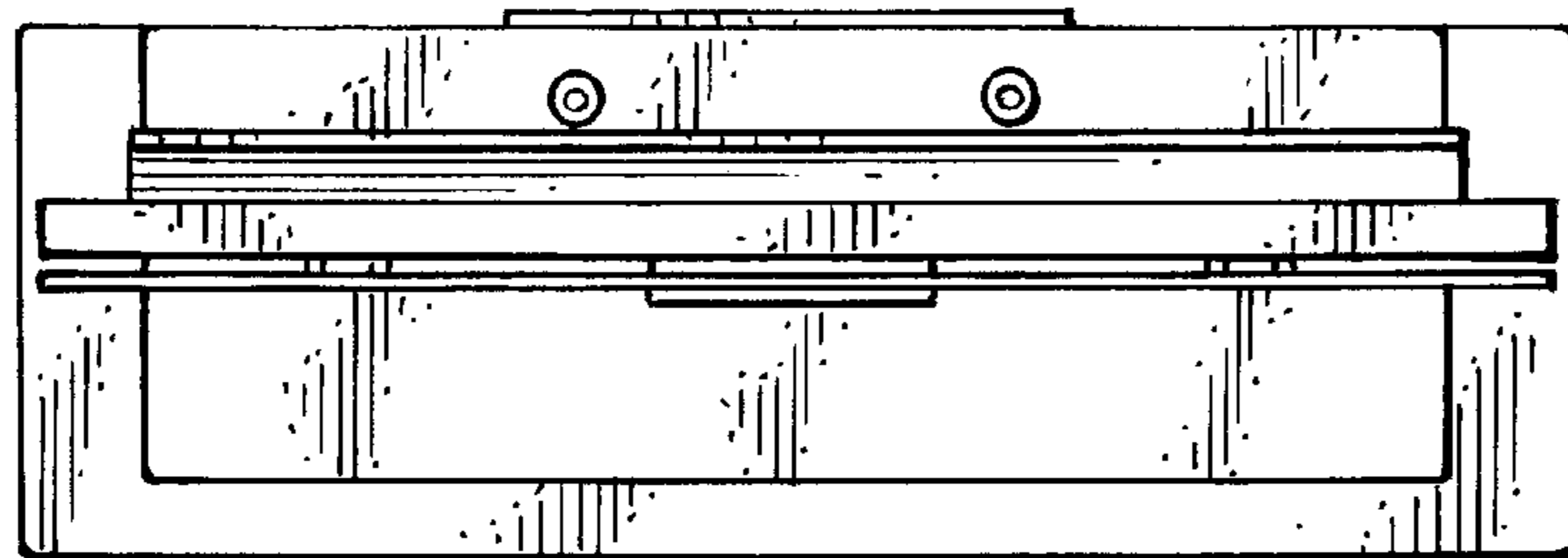
*Fig. 1.*



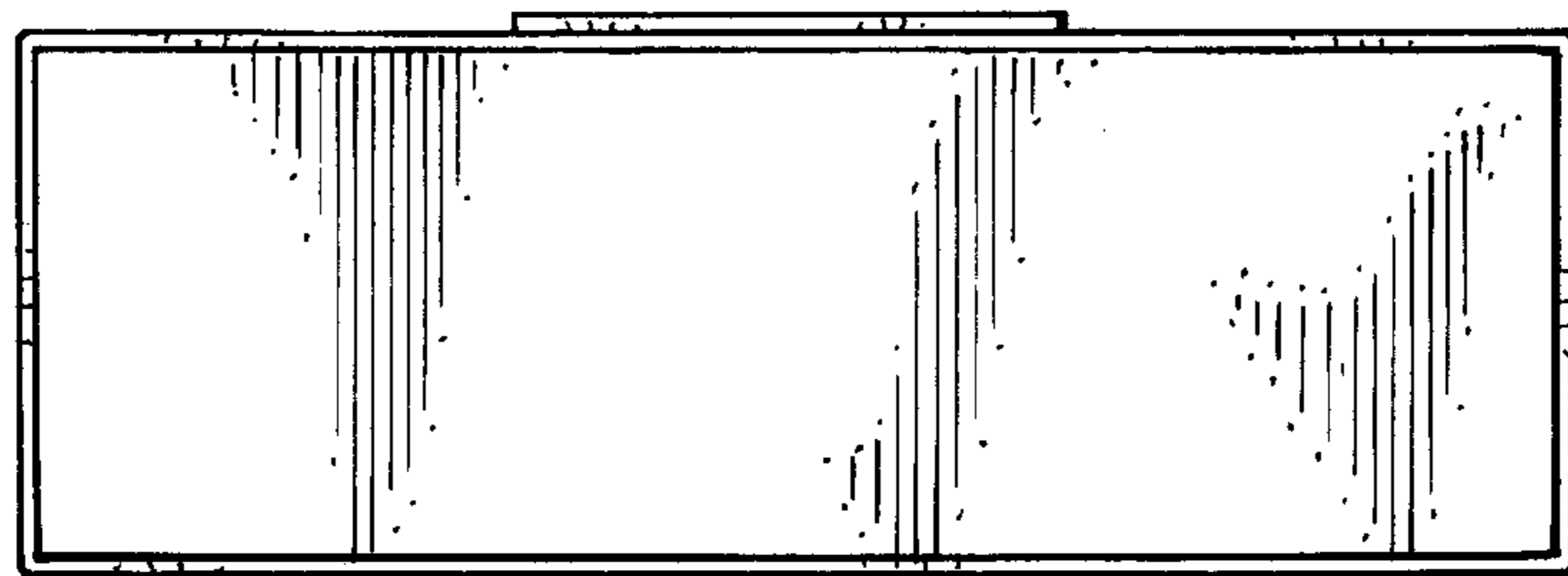
*Fig. 3.*



*Fig. 4.*



*Fig. 5.*



*Fig. 6.*