



US00D517837S

(12) **United States Design Patent**
Takatsuki et al.

(10) **Patent No.:** **US D517,837 S**
(45) **Date of Patent:** **** Mar. 28, 2006**

(54) **TELEVISION STAND**
(75) Inventors: **Hiroaki Takatsuki**, La Jolla, CA (US);
Shigetaka Kimura, La Jolla, CA (US)
(73) Assignee: **Hitachi Home Electronics (America),**
Inc., Chula Vista, CA (US)
(**) Term: **14 Years**

(21) Appl. No.: **29/215,744**
(22) Filed: **Oct. 21, 2004**

(51) **LOC (8) Cl.** **06-04**
(52) **U.S. Cl.** **D6/477**
(58) **Field of Classification Search** D6/460,
D6/461, 468, 474, 477-479; 312/7.2, 9.1;
108/59, 91, 92, 96; 211/40, 41.12, 42, 49.1,
211/50, 85.2, 90.04, 187, 190, 119.003, 134.153,
211/87.01, 71.01
See application file for complete search history.

(56) **References Cited**
U.S. PATENT DOCUMENTS

D450,489 S * 11/2001 Wong D6/479
D454,731 S * 3/2002 Niitsu D6/479
D457,507 S * 5/2002 Lim et al. D14/133
D477,159 S * 7/2003 Niitsu D6/479
D488,785 S * 4/2004 Ohba et al. D14/126

D489,547 S * 5/2004 Acevedo et al. D6/477
D491,002 S * 6/2004 Forlenza et al. D6/477
D496,543 S * 9/2004 Forlenza D6/477
6,814,009 B1 * 11/2004 Acevedo et al. 108/50.02
D500,930 S * 1/2005 Goto et al. D6/477
D506,328 S * 6/2005 Inoue D6/477
2003/0066463 A1 * 4/2003 Acevedo et al. 108/50.02

* cited by examiner

Primary Examiner—Cathron C. Brooks

(74) *Attorney, Agent, or Firm*—Knobbe, Martens, Olson &
Bear, LLP

(57) **CLAIM**

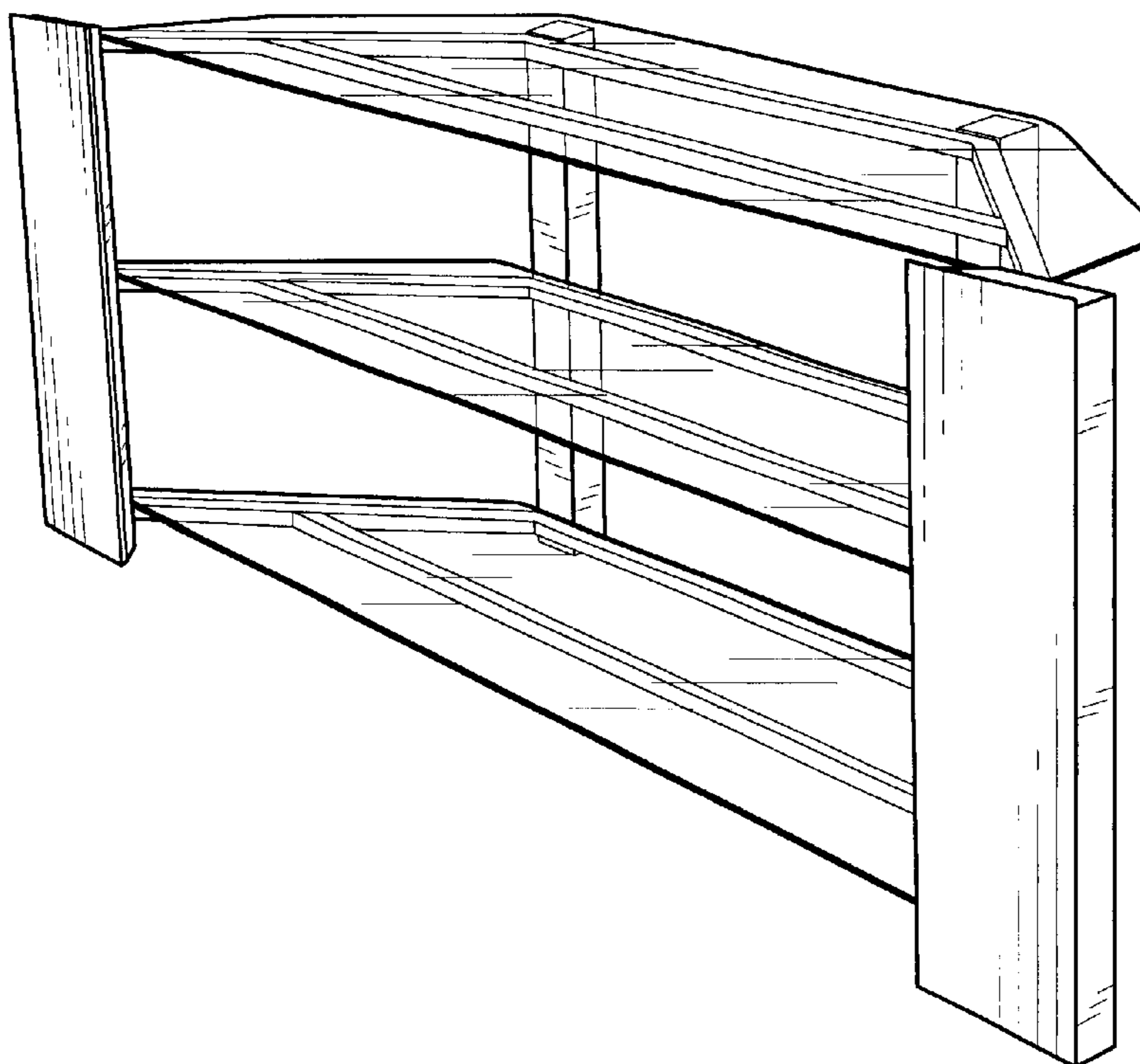
The ornamental design for a television stand, as shown and
described.

DESCRIPTION

FIG. 1 is a front perspective view of a television stand;
FIG. 2 is a front elevational view thereof;
FIG. 3 is a rear elevational view thereof;
FIG. 4 is a left elevational view thereof;
FIG. 5 is a right elevational view thereof;
FIG. 6 is a top plan view thereof; and,
FIG. 7 is a bottom plan view thereof.

The broken line are shown for illustrative purposes only and
form no part of the claimed invention.

1 Claim, 4 Drawing Sheets



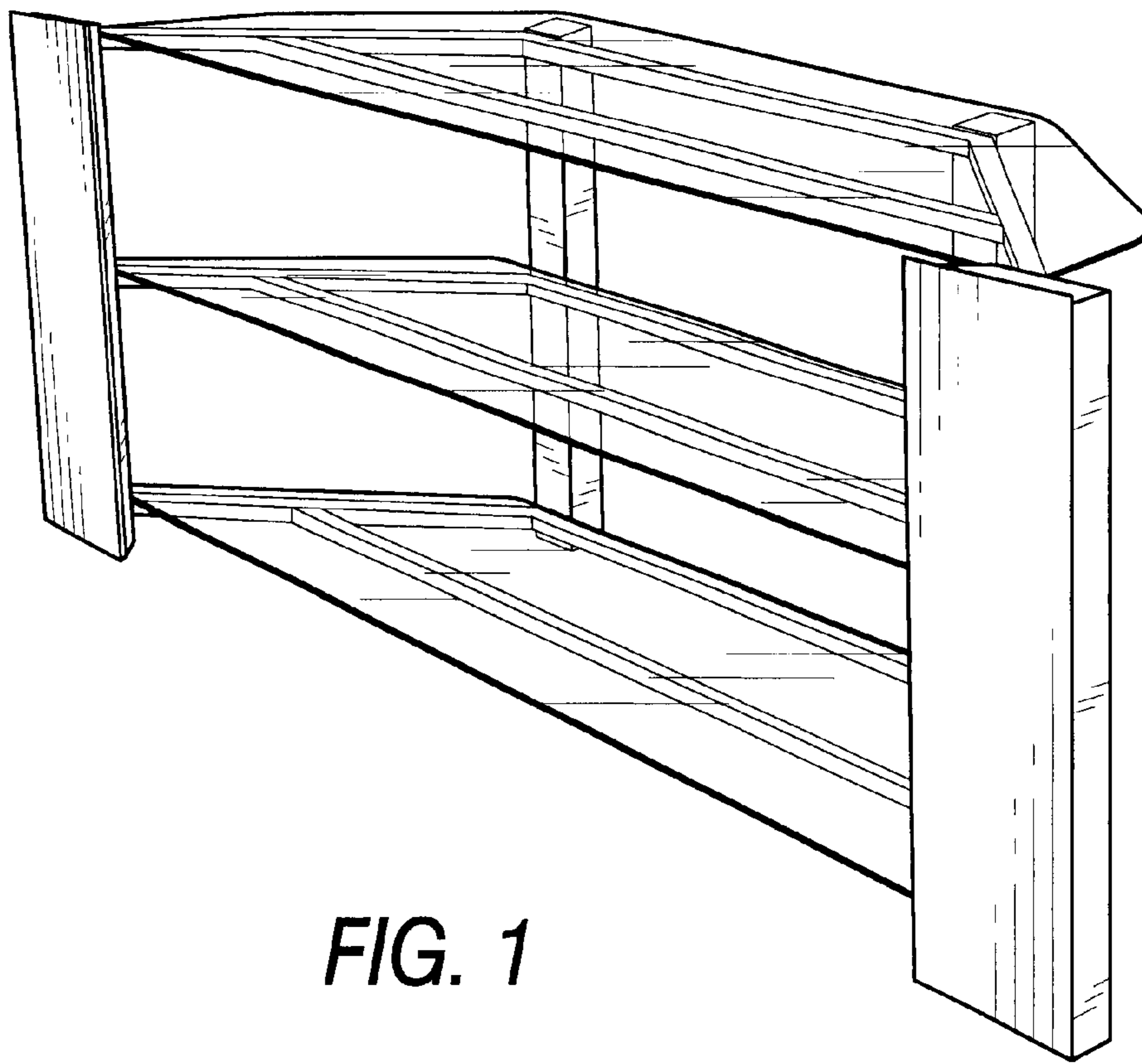


FIG. 1

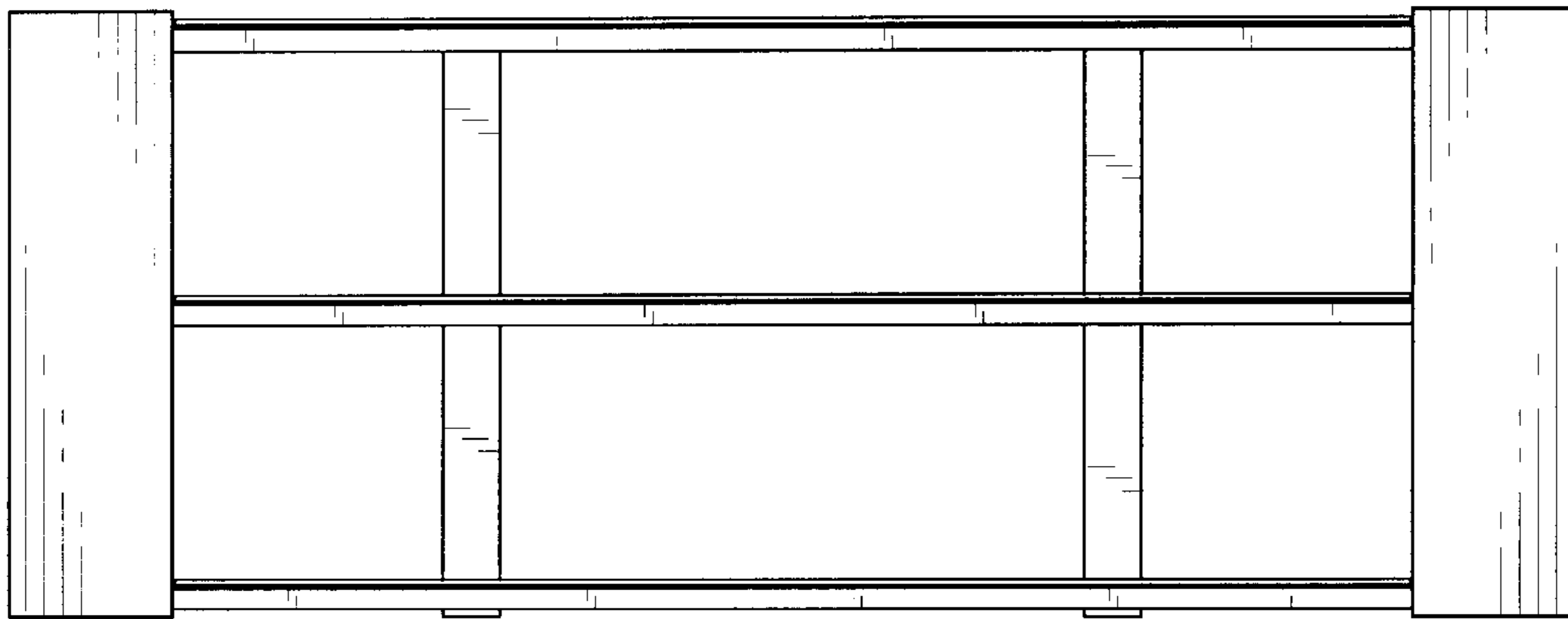


FIG. 2

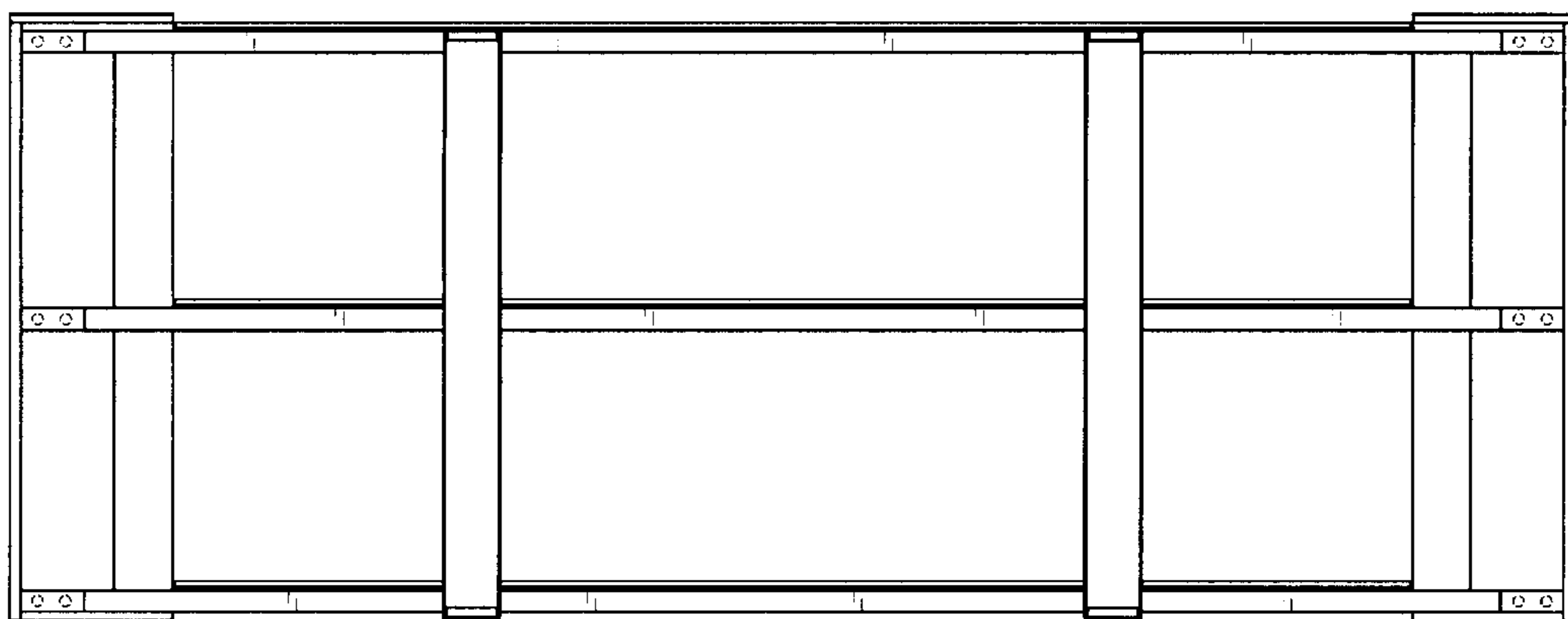


FIG. 3

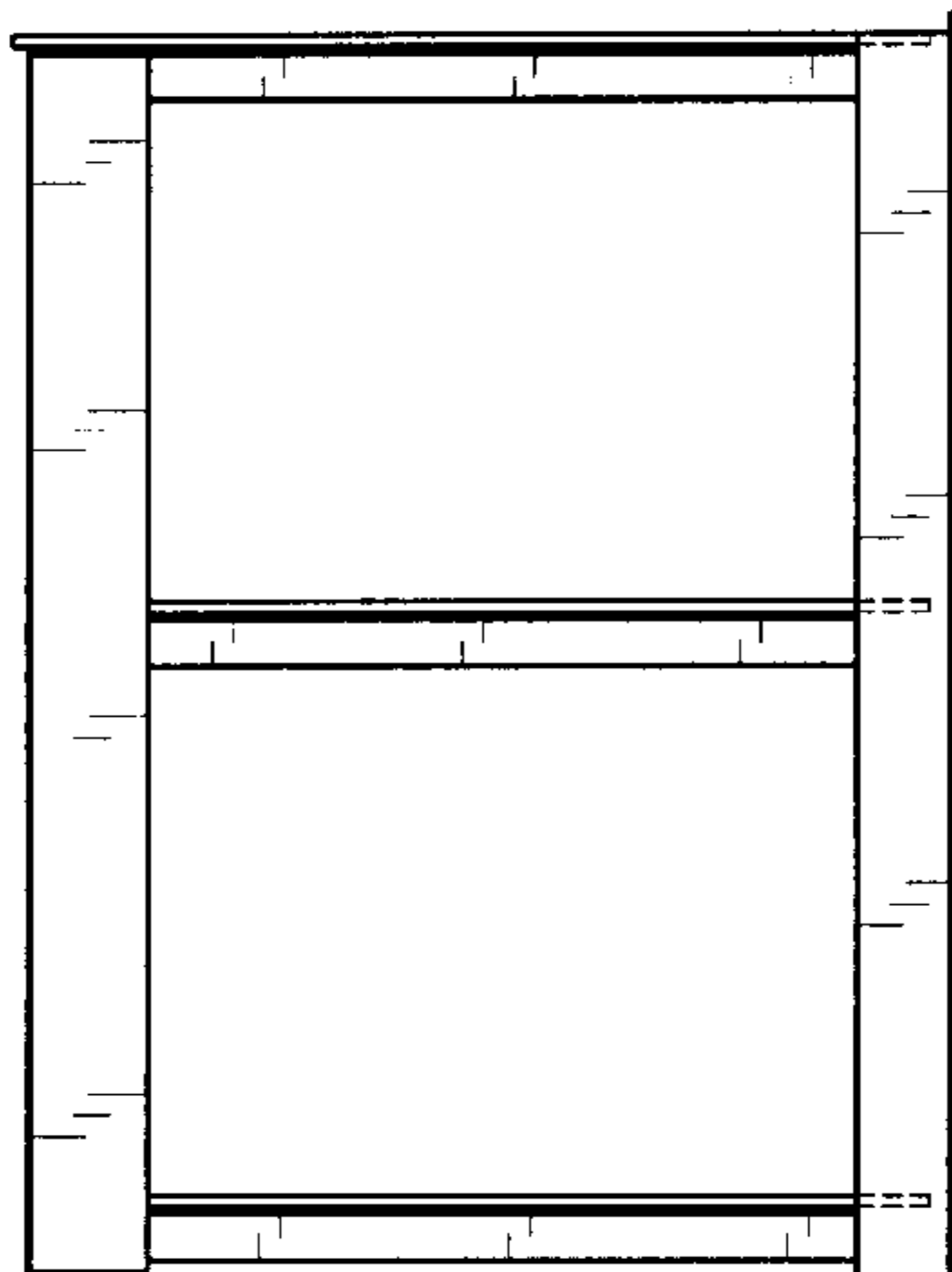


FIG. 4

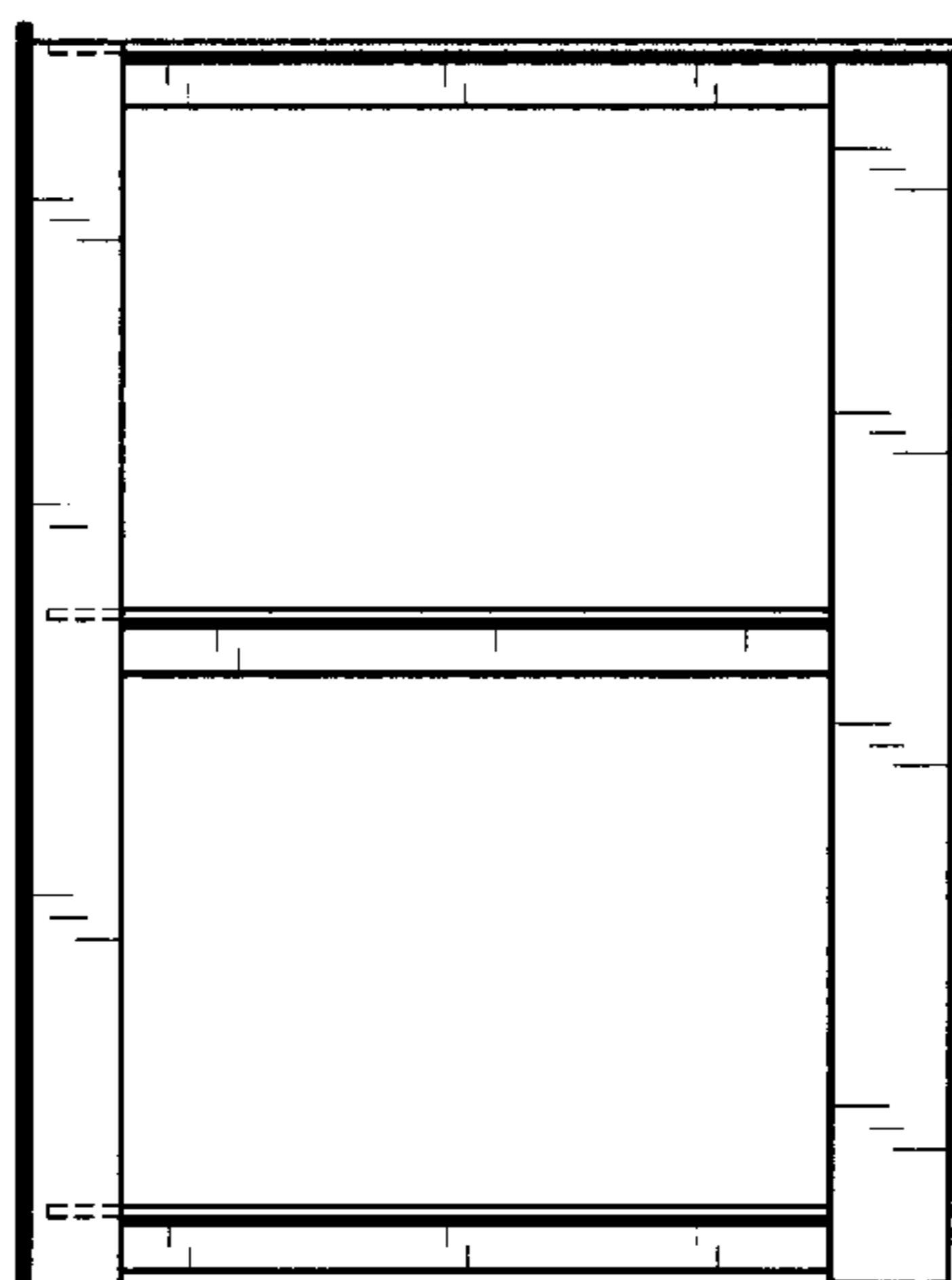


FIG. 5

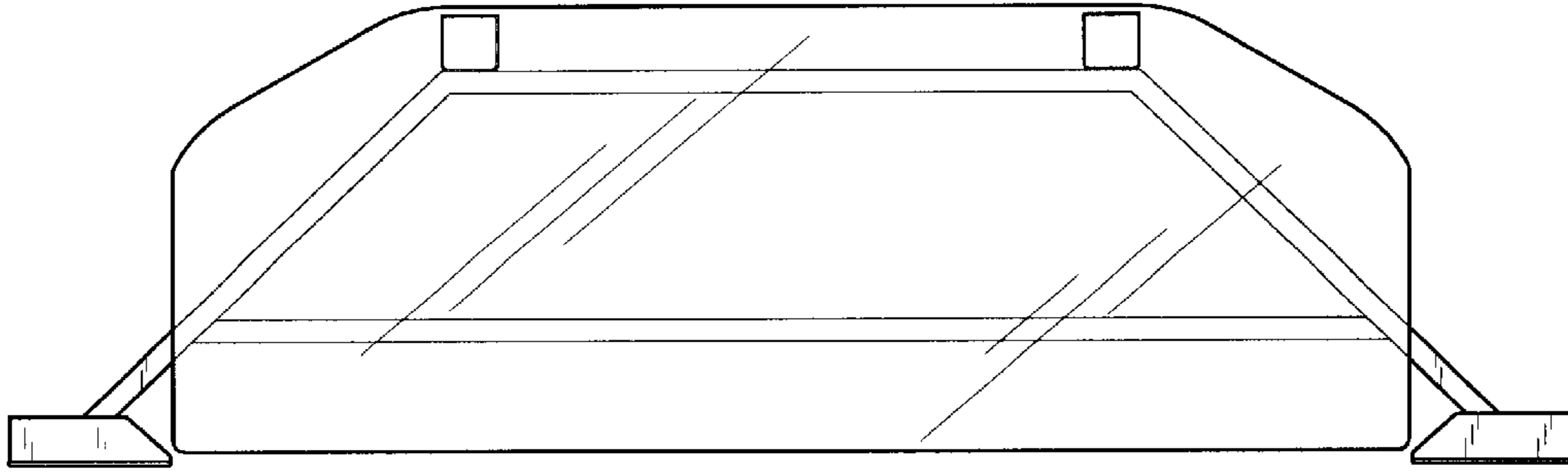


FIG. 6

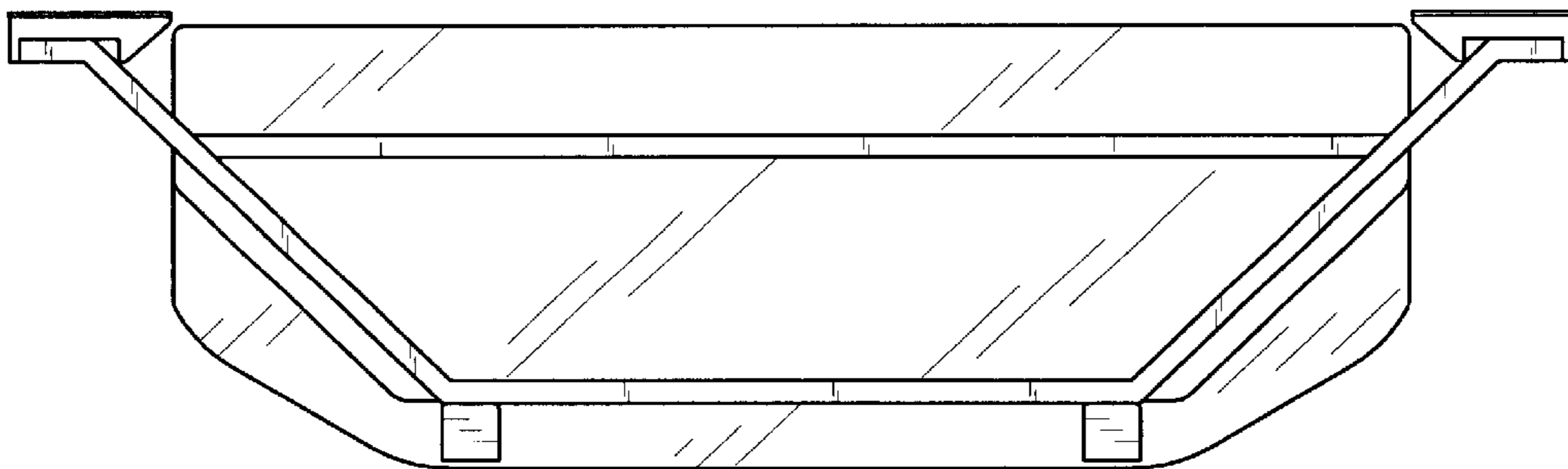


FIG. 7