



US00D517835S

(12) **United States Design Patent**  
**O'Hare**

(10) **Patent No.:** **US D517,835 S**

(45) **Date of Patent:** **\*\* Mar. 28, 2006**

(54) **DESK**

(75) Inventor: **Timothy M. O'Hare**, Oak Ridge, NC (US)

(73) Assignee: **Thomasville Furniture Industries, Inc.**, Thomasville, NC (US)

(\*\*) Term: **14 Years**

(21) Appl. No.: **29/214,678**

(22) Filed: **Oct. 6, 2004**

(51) **LOC (8) Cl.** ..... **06-03**

(52) **U.S. Cl.** ..... **D6/422; D6/480**

(58) **Field of Classification Search** ..... D6/480-489,  
D6/495-499, 511, 422-428; 108/150, 153.1,  
108/155, 156, 157.1, 161; 248/188, 188.1,  
248/188.8, 188.9; 312/194-196

See application file for complete search history.

(56) **References Cited**

**U.S. PATENT DOCUMENTS**

D185,544 S	*	6/1959	Frey	.....	D6/447
D188,605 S	*	8/1960	Lubberts et al.	.....	D6/428
D278,959 S	*	5/1985	Berry, Jr.	.....	D6/480
D484,337 S	*	12/2003	Risdon et al.	.....	D6/495
D486,016 S		2/2004	Stanton	.....	D6/484

**OTHER PUBLICATIONS**

Heywood Wakefield, Jul. 1, 1937, p. 40, C3246 dressing table at top center.\*

Tabula Writing Desk, Hemingway Windemere Collection brochure, Thomasville Furniture Industries, Inc., p. 21, 2002.

Computer Desk, Mission Arts Collection brochure, Thomasville Furniture Industries, Inc., p. 27, 2002.

Desk, Montrachet Collection brochure, Thomasville Furniture Industries, Inc., p. 23, discontinued Sep. 14, 1994.

\* cited by examiner

*Primary Examiner*—Janice E. Seeger

(74) *Attorney, Agent, or Firm*—Womble Carlyle Sandridge & Rice, PLLC

(57) **CLAIM**

The ornamental design for a desk, as shown and described.

**DESCRIPTION**

FIG. 1 is a perspective view of a desk showing my new design;

FIG. 2 is a plan view thereof;

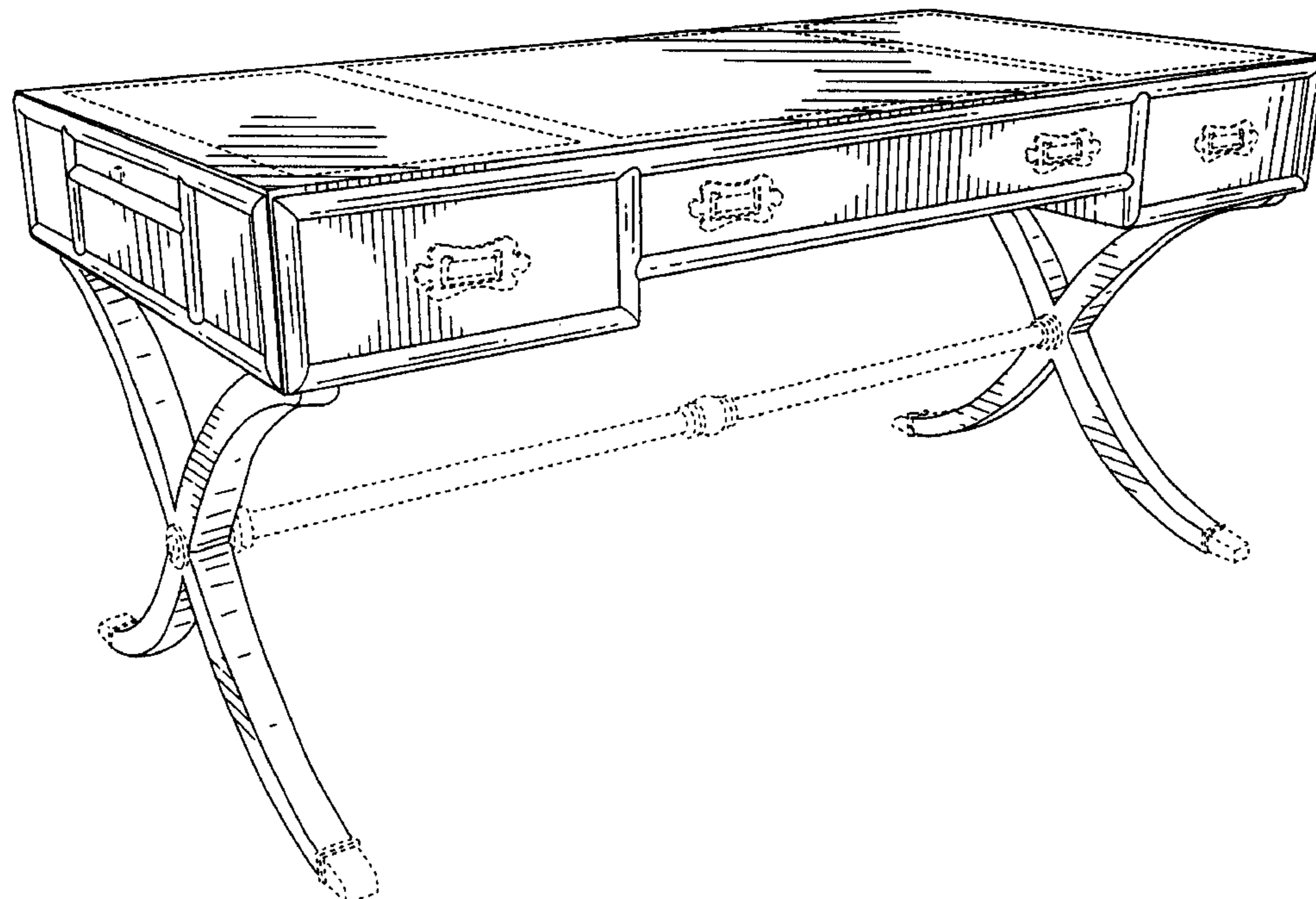
FIG. 3 is a side elevational view, the opposite side being a mirror image thereof;

FIG. 4 is a rear elevational view thereof; and,

FIG. 5 is a top view thereof.

The views of the desk not shown form no part of the claimed design. The broken lines depicting hardware, feet, spreader bar and ornamentation on top represent environmental elements only and form no part of the claimed design.

**1 Claim, 5 Drawing Sheets**



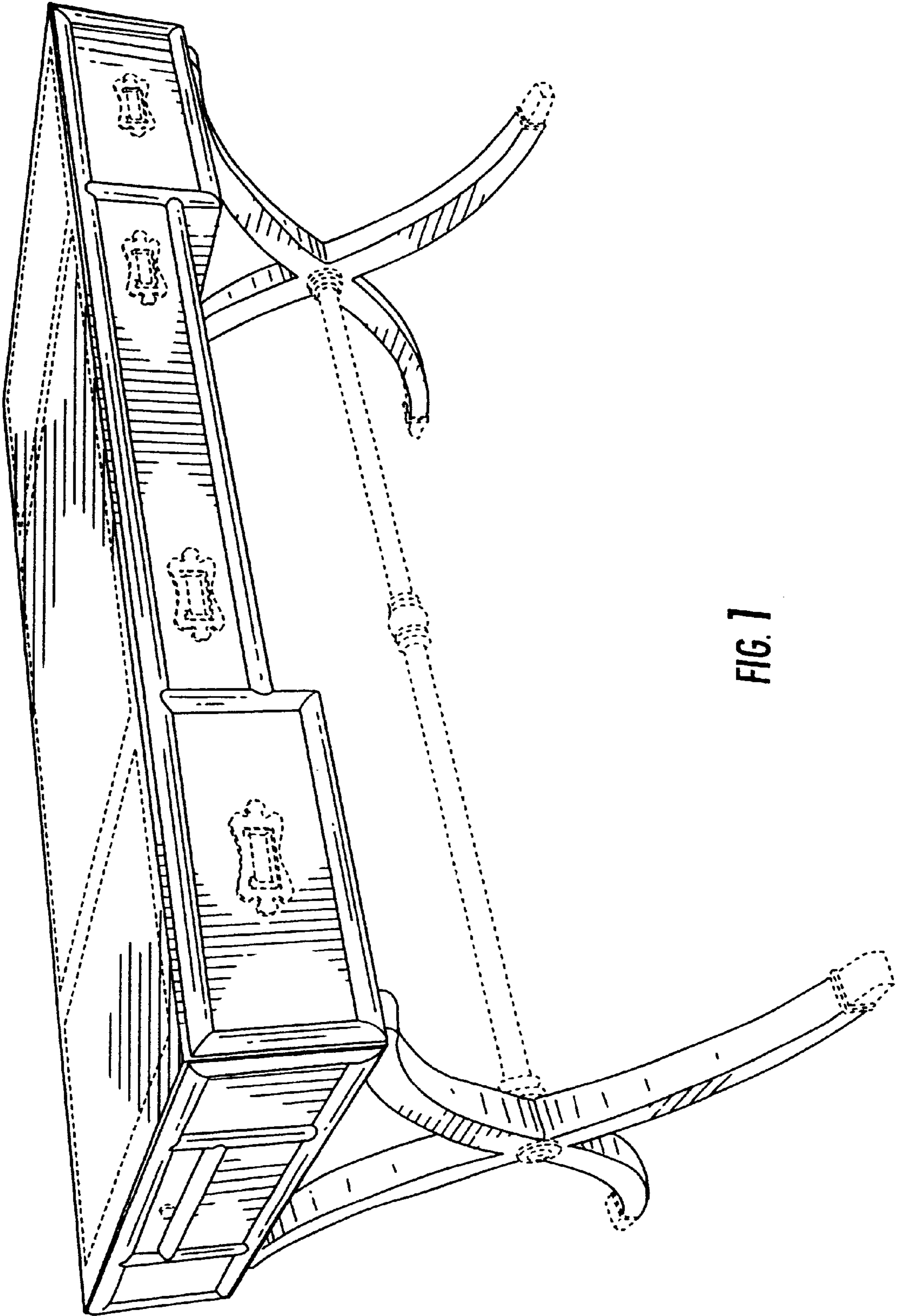


FIG. 1

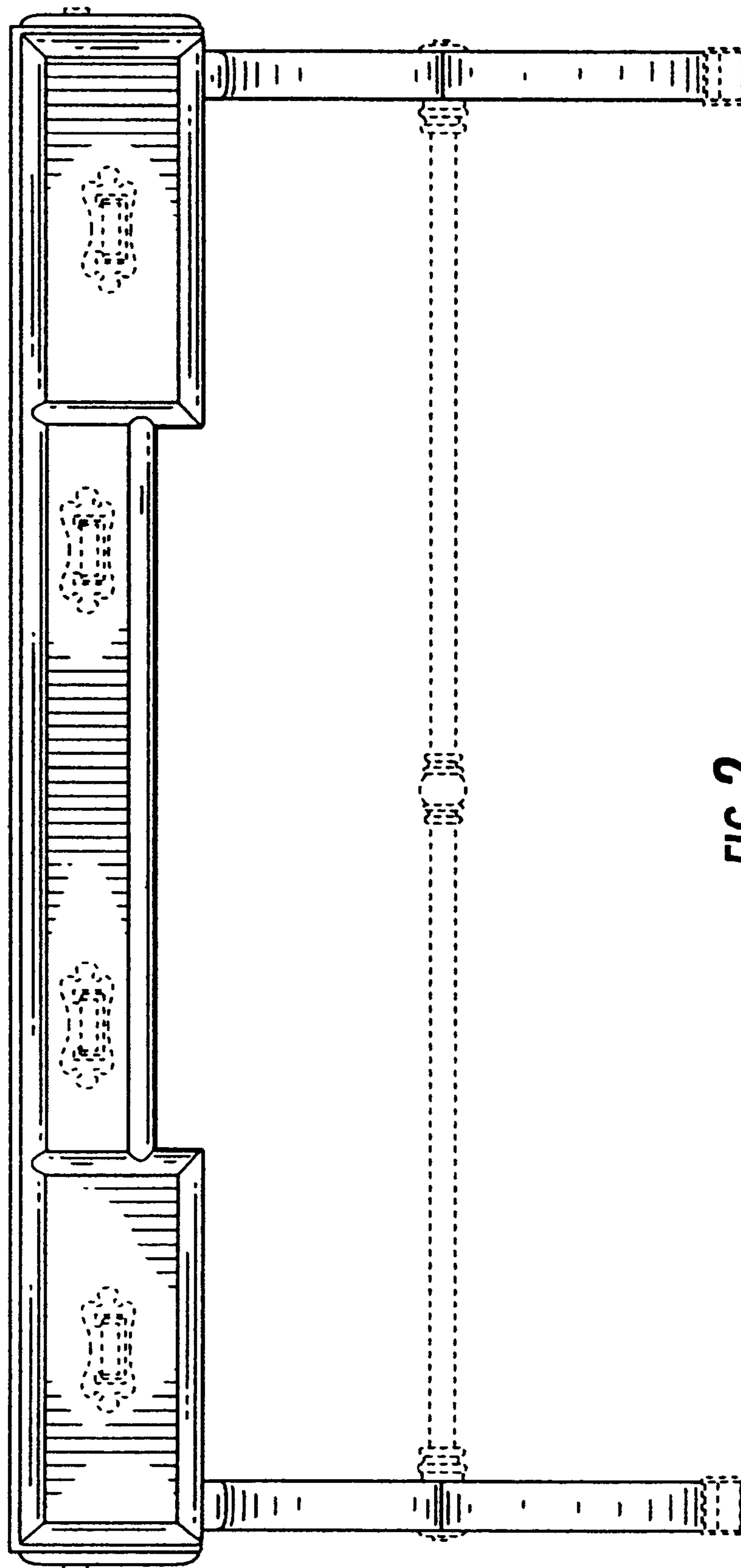
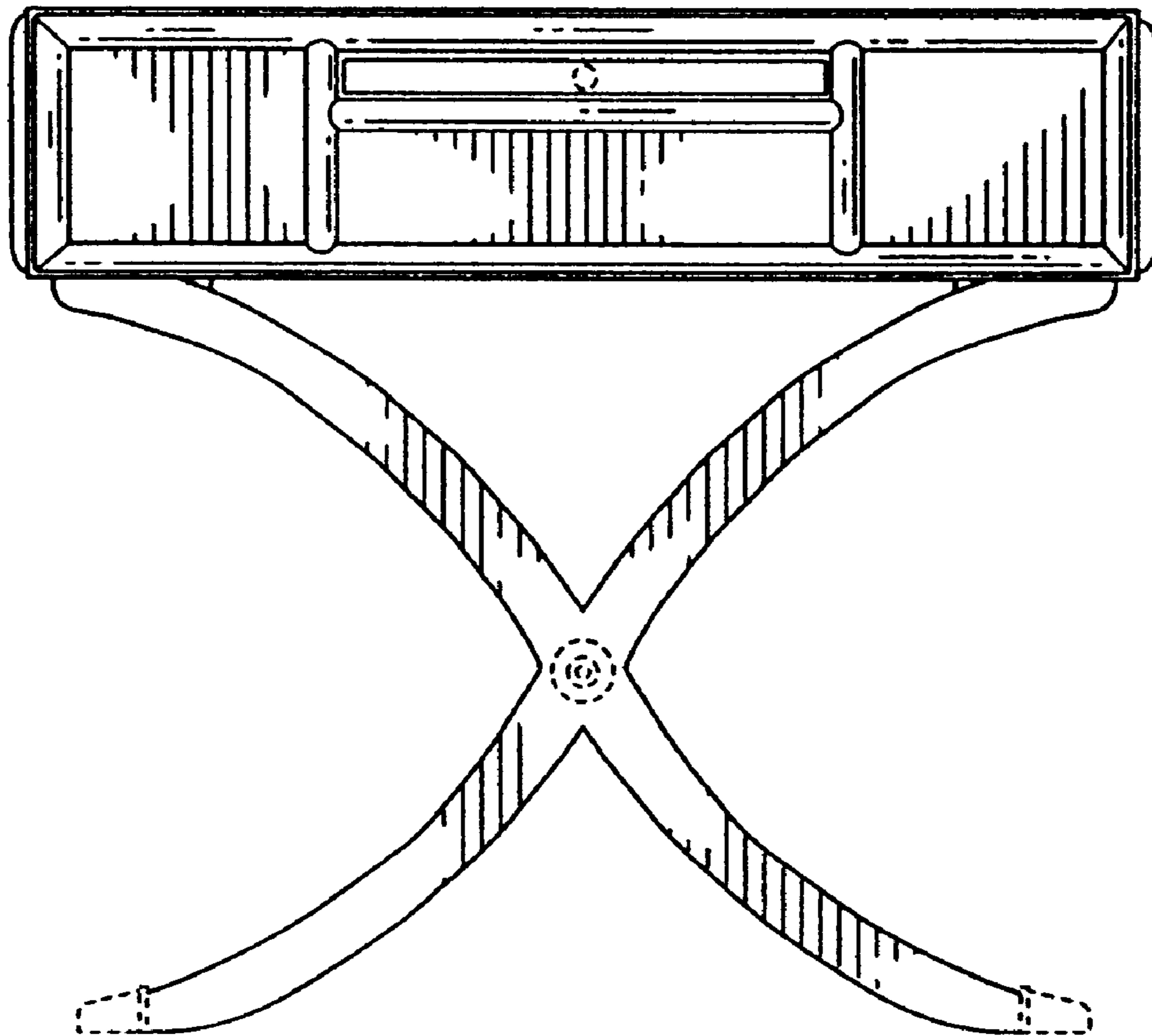


FIG. 2



**FIG. 3**

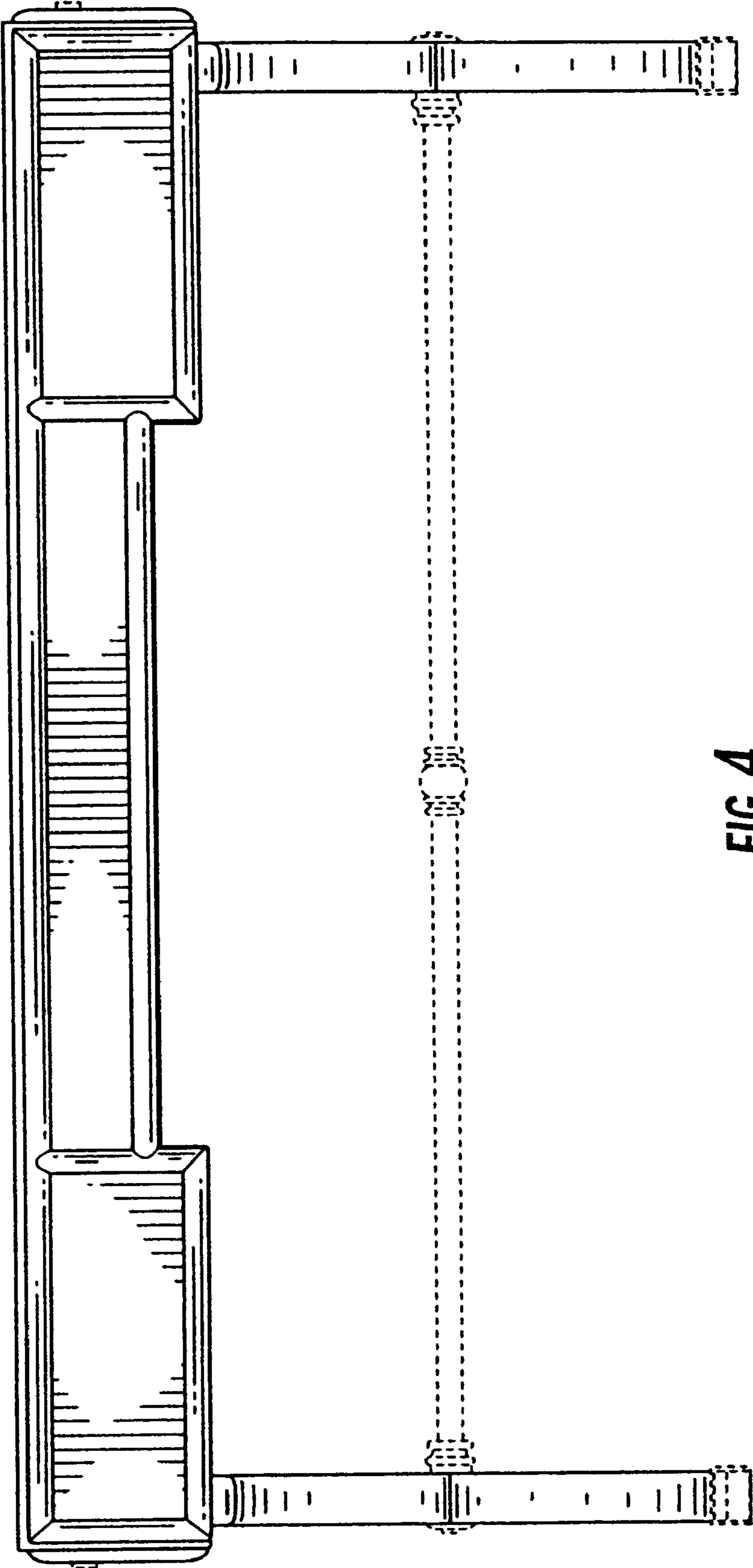


FIG. 4



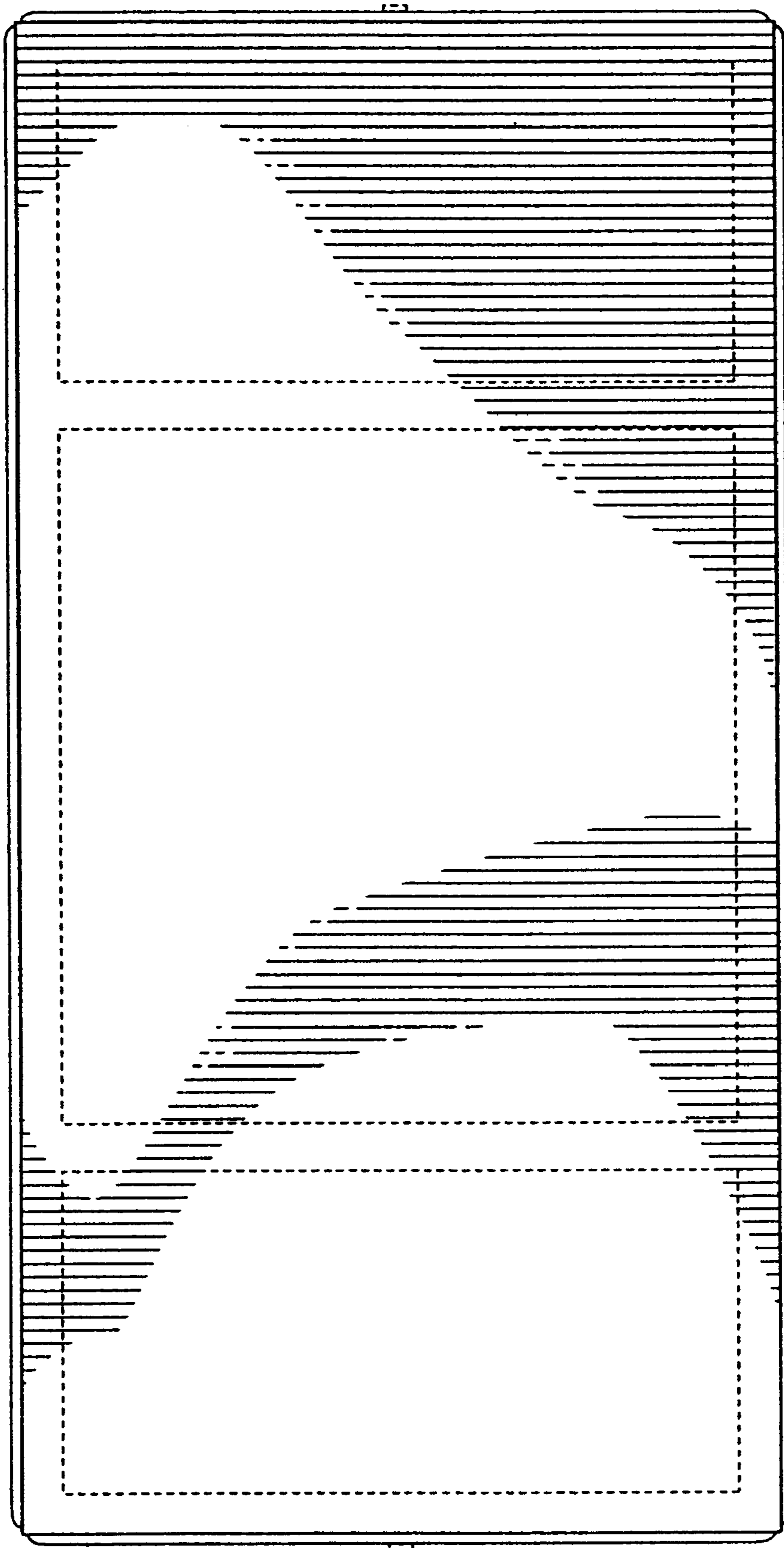


FIG. 5