



US00D517833S

(12) **United States Design Patent**
Jennings

(10) **Patent No.:** **US D517,833 S**

(45) **Date of Patent:** **** Mar. 28, 2006**

(54) **LAP DESK**

(75) **Inventor:** **D. Micheal Jennings**, Arlington, TX
(US)

(73) **Assignee:** **Texas Saddlebags, Inc.**, Arlington, TX
(US)

(**) **Term:** **14 Years**

(21) **Appl. No.:** **29/189,811**

(22) **Filed:** **Sep. 11, 2003**

(51) **LOC (8) Cl.** **06-06**

(52) **U.S. Cl.** **D6/406.5**

(58) **Field of Classification Search** D14/240,
D14/242, 299, 140, 230, 236, 447, 457; D13/123,
D13/184, 199; 361/600, 728, 730, 622, 641;
455/3.01, 3.06, 553.1; 379/900, 908, 441,
379/67.1, 219-220.01; D6/406.1-406.6,
D6/339, 419, 429, 430; D12/133, 416, 419,
D12/426.1; D7/550.1-550.2, 552.2-552.5,
D7/554.3-554.4; 108/25, 42-43, 150; 220/575,
220/679, 632, 670, 339, 574, 17.1; 211/11,
211/126

See application file for complete search history.

(56) **References Cited**

U.S. PATENT DOCUMENTS

1,928,806 A	10/1933	Barcalo	45/57
2,946,604 A	7/1960	Hunger et al.	281/34
4,052,944 A	10/1977	Jennings	108/43
4,537,646 A	8/1985	Hoyle	156/212

4,700,634 A	10/1987	Mills et al.	108/43
D308,450 S	* 6/1990	Harris et al.	D6/406.6
5,081,936 A	* 1/1992	Drieling	108/43
5,090,334 A	* 2/1992	Sutton	108/43
D376,948 S	12/1996	Sullins et al.	D6/601
D388,463 S	12/1997	Sullins et al.	D19/88
5,692,815 A	* 12/1997	Murphy	312/283
5,823,574 A	10/1998	Sullins et al.	281/45
D411,388 S	* 6/1999	Sacco et al.	D6/406.6
D418,327 S	1/2000	Sullins et al.	D6/406.3
6,050,200 A	4/2000	Sullins et al.	108/43
D433,580 S	11/2000	Jarke et al.	D6/406.5
D467,933 S	* 12/2002	Hovsepian	D14/458
D475,550 S	* 6/2003	Cote et al.	D6/406.3

* cited by examiner

Primary Examiner—Charles A. Rademaker

(74) *Attorney, Agent, or Firm*—Sidley Austin Brown & Wood LLP

(57) **CLAIM**

The ornamental design for a lap desk, as shown and described.

DESCRIPTION

FIG. 1 is a perspective view of a lap desk showing my new design;

FIG. 2 is a rear elevation thereof;

FIG. 3 is a front elevation thereof;

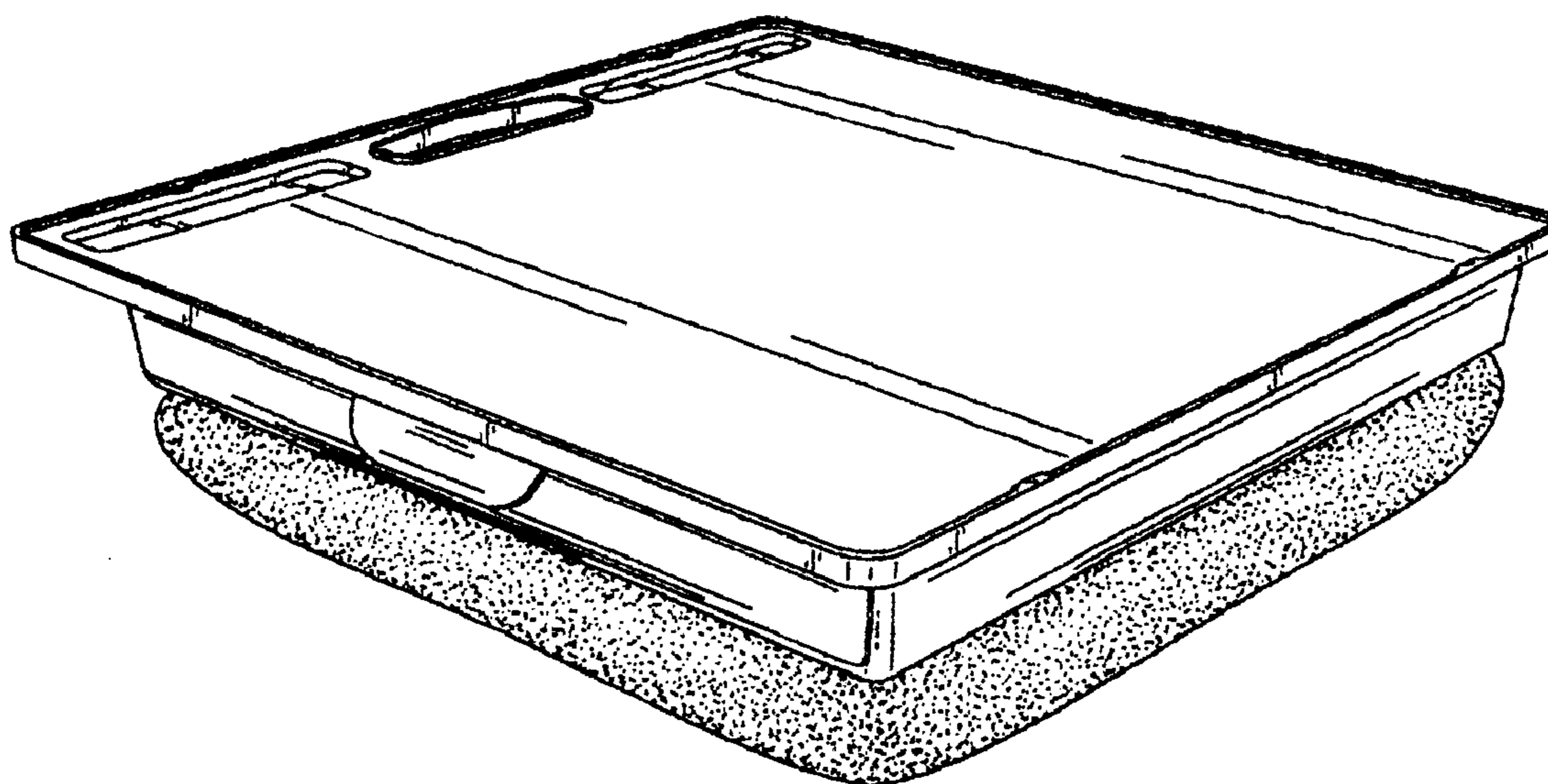
FIG. 4 is a right side elevation thereof;

FIG. 5 is a left side elevation thereof;

FIG. 6 is a top plan view thereof; and,

FIG. 7 is a bottom plan view thereof.

1 Claim, 7 Drawing Sheets



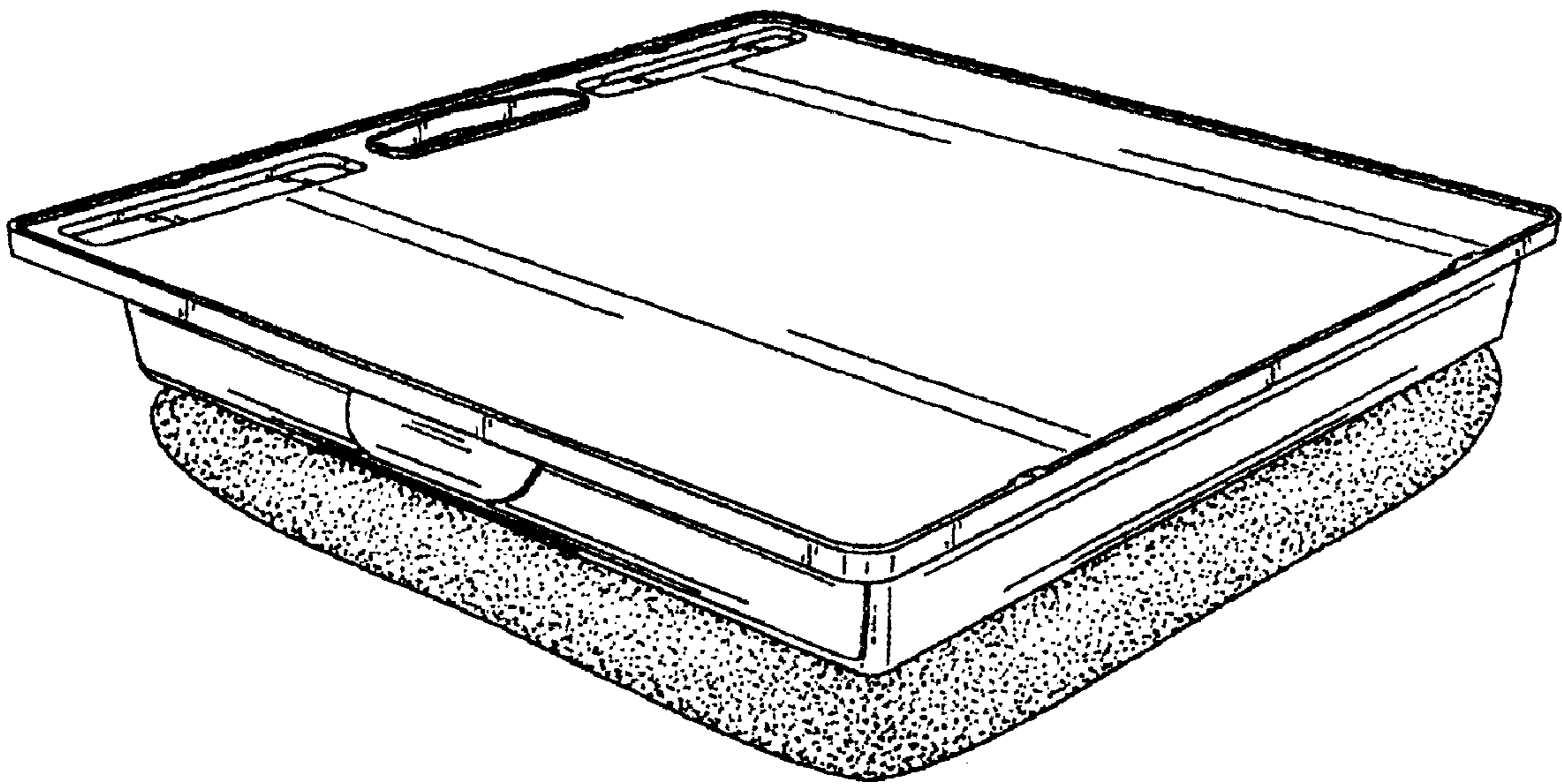


FIG. 1

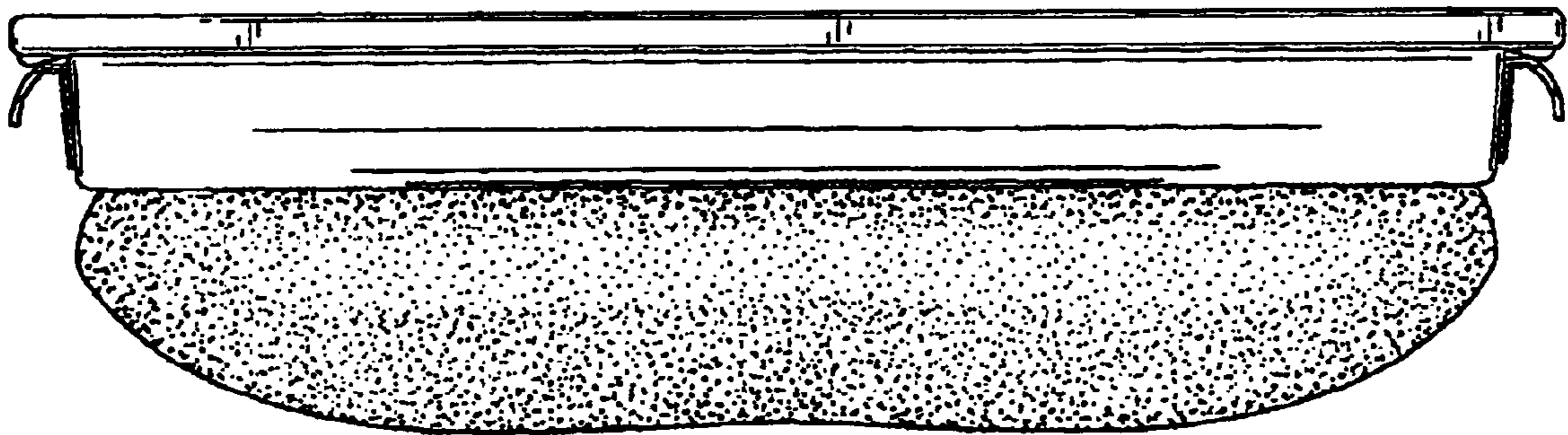


FIG. 2

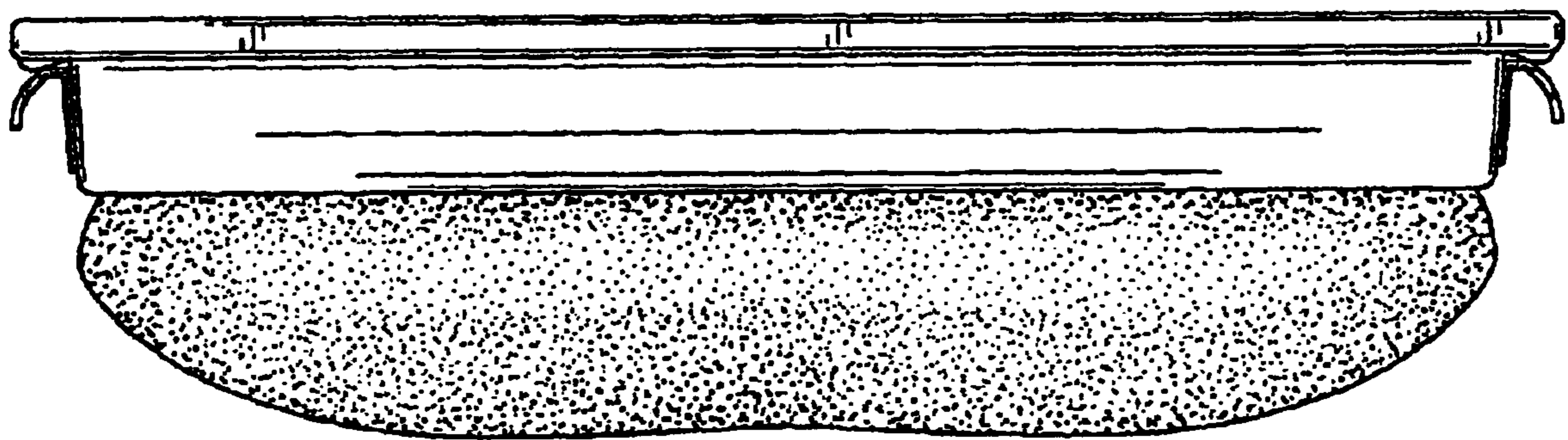


FIG. 3

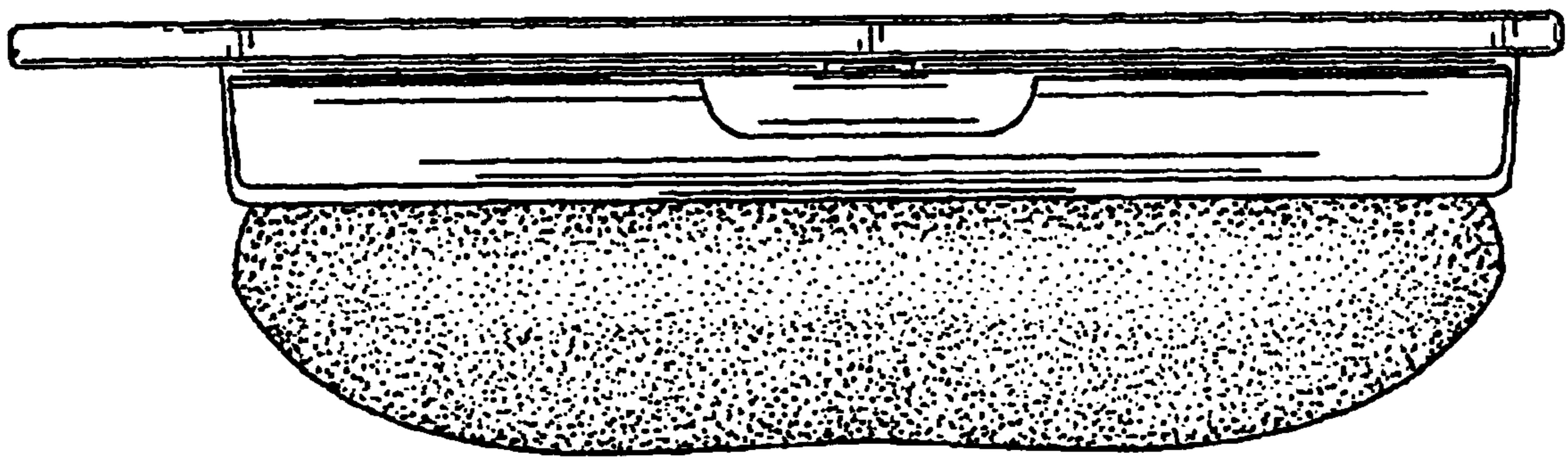


FIG. 4

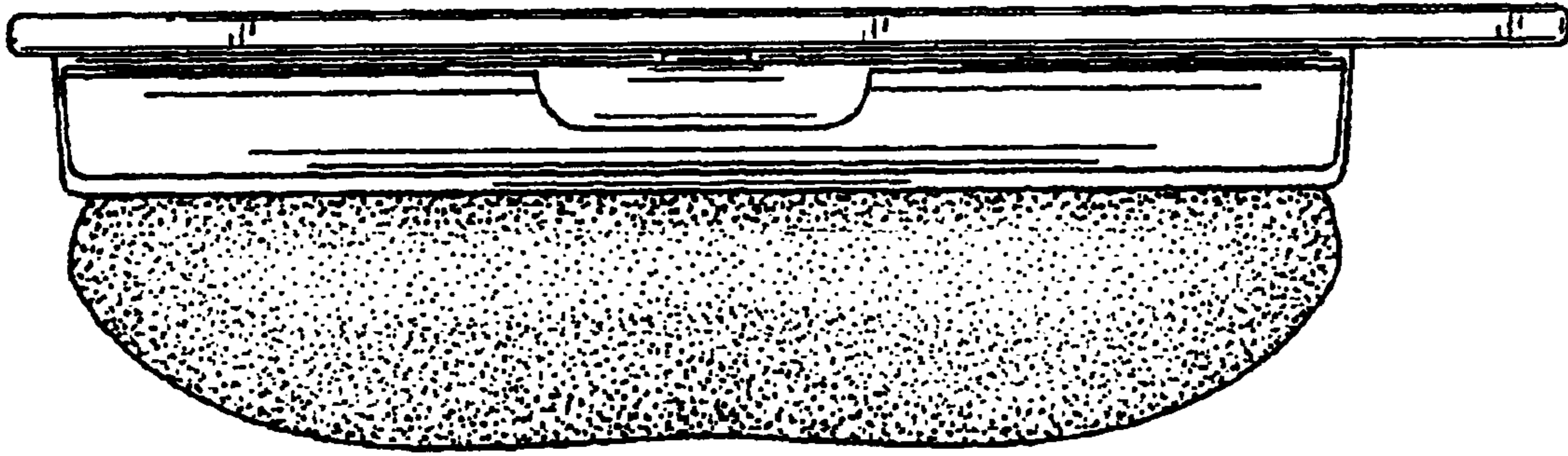


FIG. 5

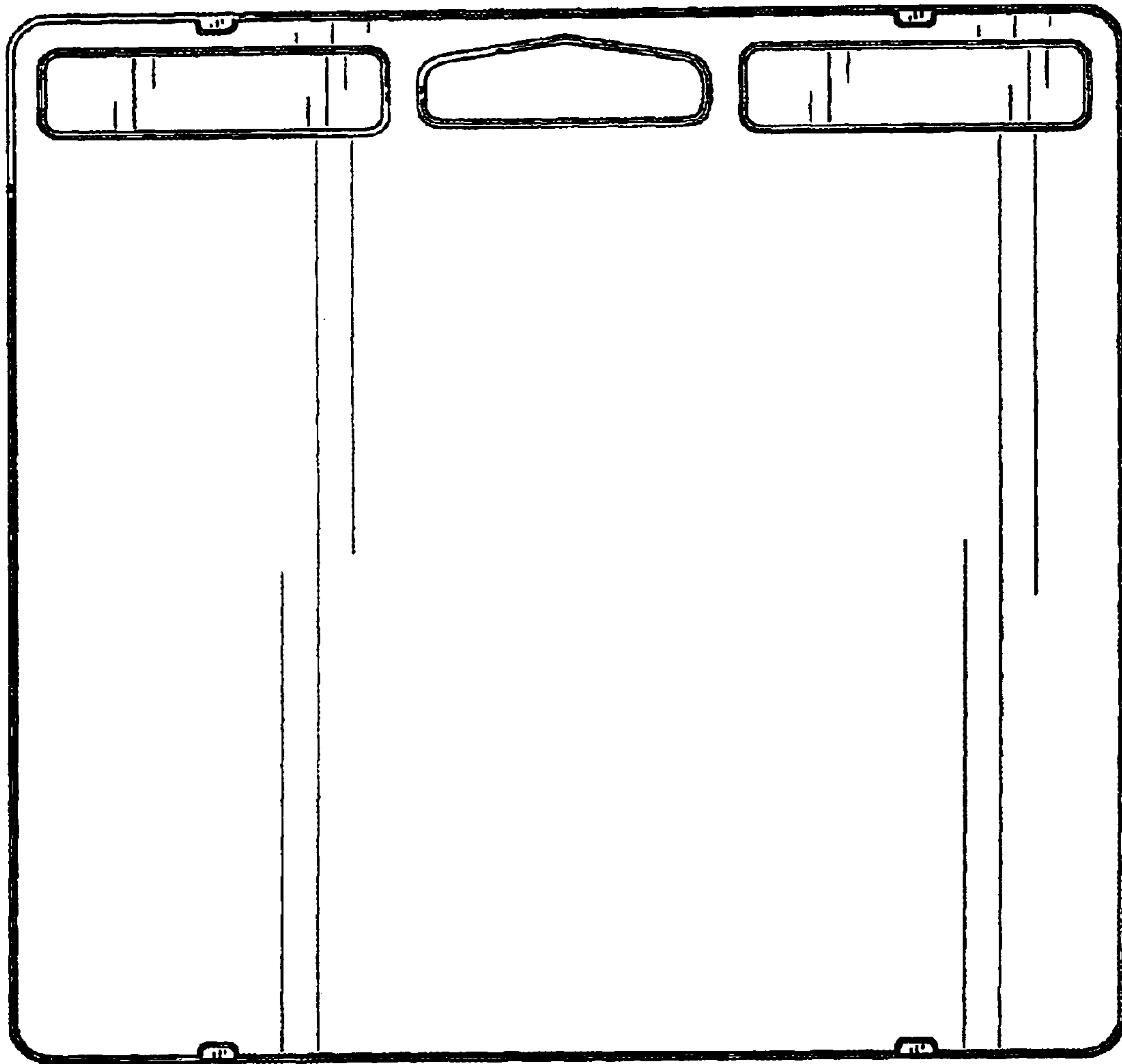


FIG. 6

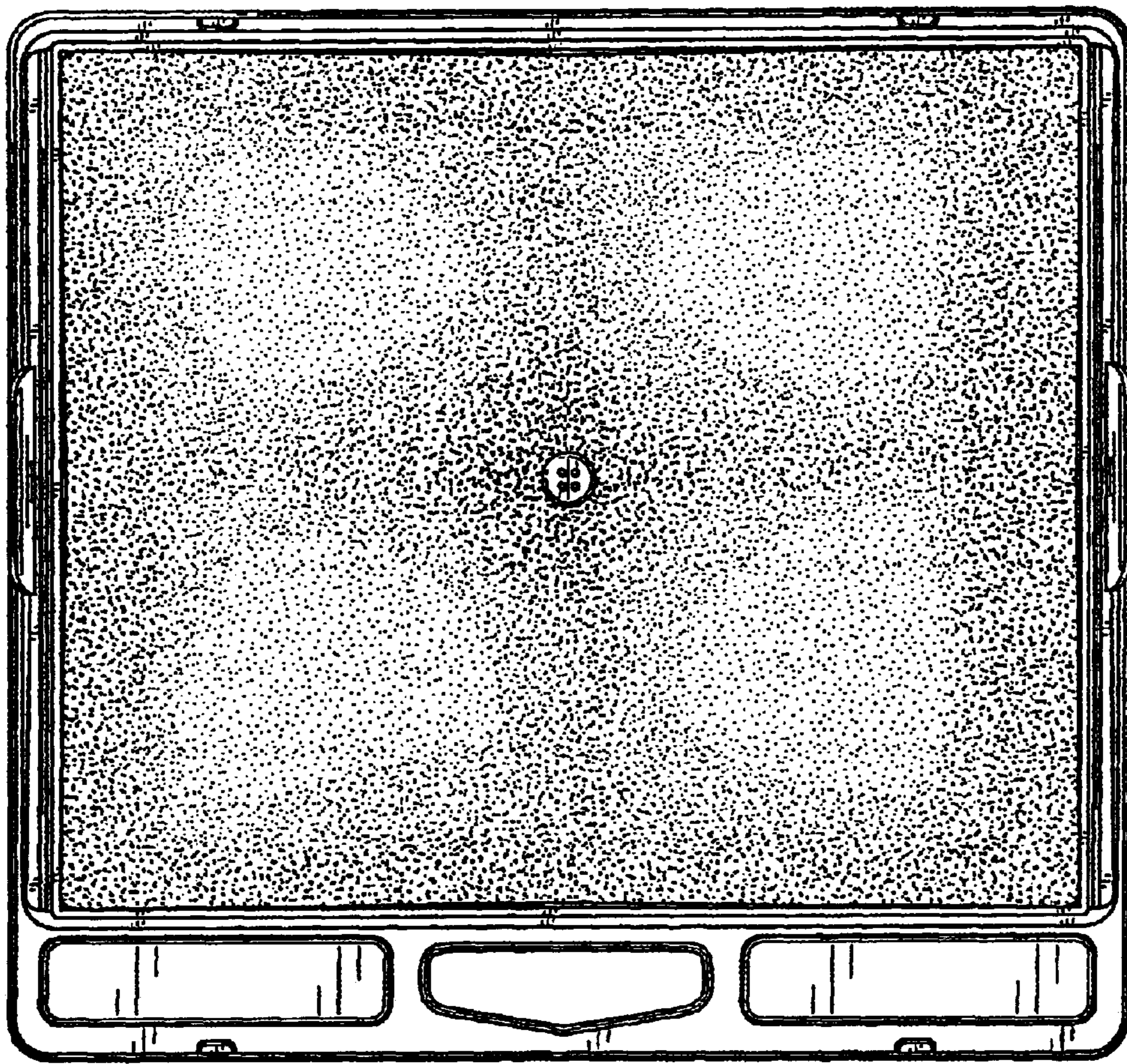


FIG. 7