



US00D517832S

(12) **United States Design Patent**  
**Jenkins**

(10) **Patent No.:** **US D517,832 S**

(45) **Date of Patent:** **\*\* Mar. 28, 2006**

(54) **HANGING PLANTER ARRANGEMENT**

(76) **Inventor:** **Ryan C. Jenkins**, 11652 Marble Arch Dr., Santa Ana, CA (US) 92705

(\*\*) **Term:** **14 Years**

(21) **Appl. No.:** **29/234,550**

(22) **Filed:** **Jul. 20, 2005**

(51) **LOC (8) Cl.** ..... **06-06**

(52) **U.S. Cl.** ..... **D6/405**

(58) **Field of Classification Search** ..... D6/403-404, D6/514, 556-558; D11/143, 144, 164; D25/100; 47/32.7, 39, 41.01, 41.1, 44, 67, 70; 211/86.01, 211/88.03, 90.04, 113, 153; 248/27.8, 317, 248/318, 328, 343

See application file for complete search history.

(56) **References Cited**

**U.S. PATENT DOCUMENTS**

726,079	A	*	4/1903	Lord	.....	47/67
D77,225	S		12/1928	Danz		
1,749,497	A	*	3/1930	McGlashan	.....	47/67
D160,781	S		11/1950	Giese		
D222,949	S		2/1972	Souder		
D224,746	S	*	9/1972	Kyle	.....	D11/144
D232,283	S	*	8/1974	Wagschal	.....	D6/514
3,854,242	A		12/1974	Gladstein		
D247,838	S	*	5/1978	Jones et al.	.....	D6/514
D248,196	S		6/1978	Gordon, Sr.		
4,121,720	A	*	10/1978	Hayes	.....	211/113
4,159,094	A		6/1979	Stekoll et al.		
4,170,089	A	*	10/1979	Smrt	.....	47/67
4,181,234	A	*	1/1980	Feighan	.....	248/318
D255,851	S		7/1980	Crane		
4,244,301	A	*	1/1981	Nakatsu	.....	D6/514

4,349,172	A		9/1982	Banks, Jr.		
4,506,475	A		3/1985	Elliott		
D300,191	S	*	3/1989	Walsh	.....	D6/514
D300,192	S		3/1989	Walsh		
D307,877	S		5/1990	White, Jr.		
5,503,587	A		4/1996	Mellen		
5,535,546	A	*	7/1996	Krivosos	.....	47/39
D402,229	S		12/1998	Christensen		
D416,409	S		11/1999	Matthews et al.		
6,758,010	B1	*	7/2004	Wright	.....	47/67
2005/0028443	A1	*	2/2005	Hartman	.....	47/67

**FOREIGN PATENT DOCUMENTS**

GB 2073277 \* 9/1998

\* cited by examiner

*Primary Examiner*—Caron D. Veynar

*Assistant Examiner*—Garth Rademaker

(74) *Attorney, Agent, or Firm*—Harold L. Jackson

(57) **CLAIM**

The ornamental design for a hanging planter arrangement, as shown and described.

**DESCRIPTION**

FIG. 1 is a perspective view of a hanging planter arrangement showing my new design.

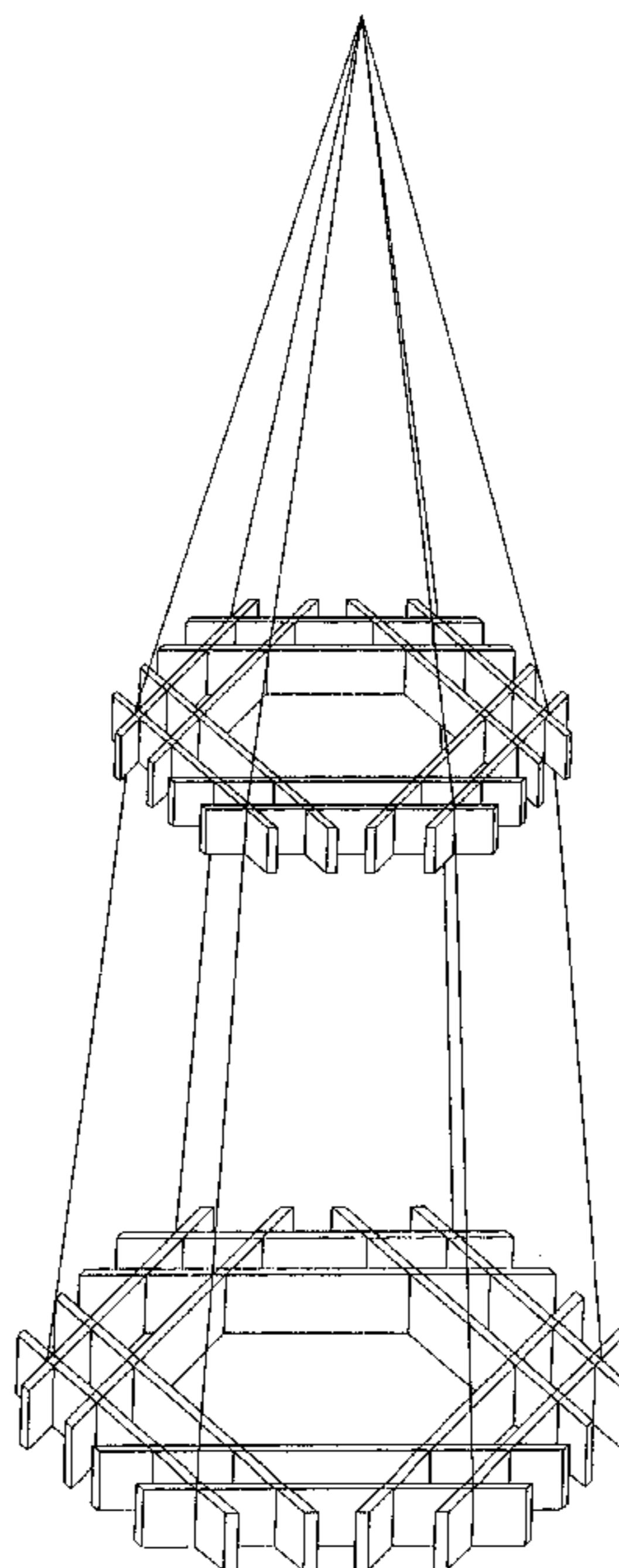
FIG. 2 is a perspective view of a second embodiment thereof.

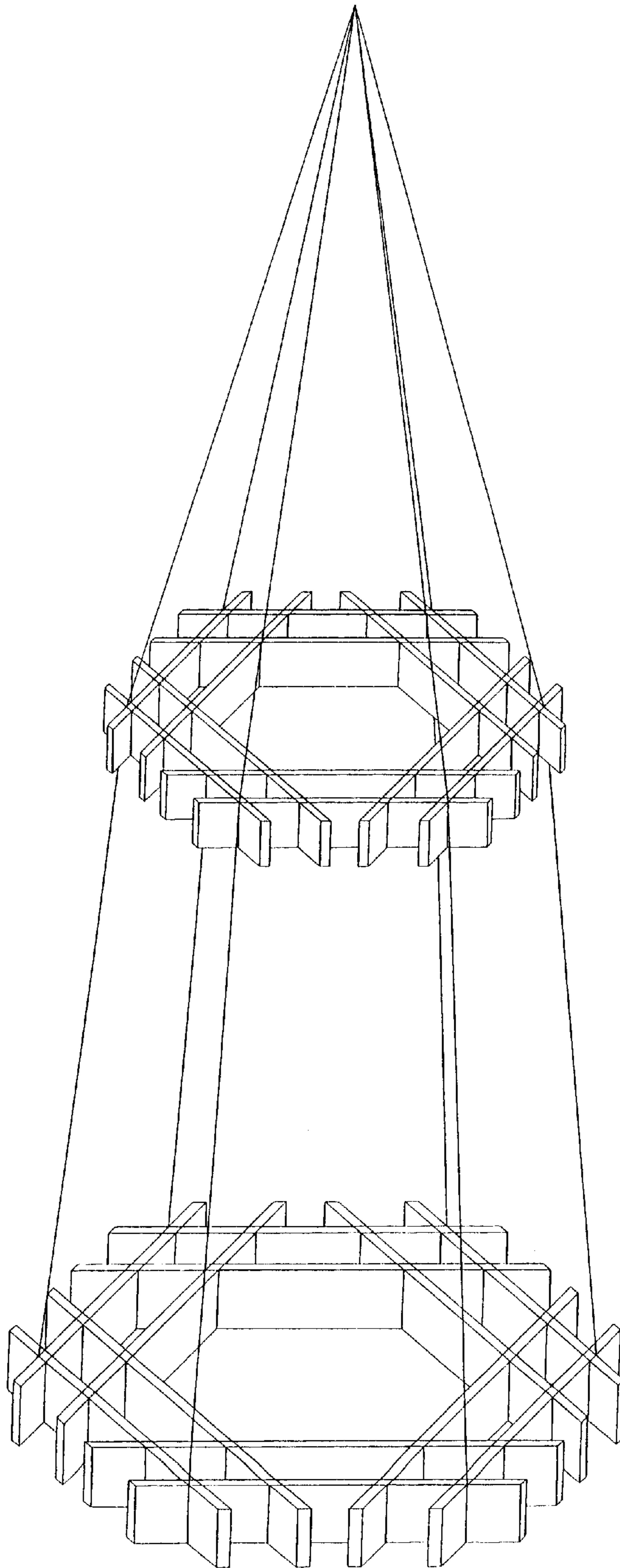
FIG. 3 is a perspective view of a third embodiment thereof.

FIG. 4 is a perspective view of one of the planter sections, shown separately and at an enlarged scale for ease of illustration; and,

FIG. 5 is a top plan view thereof.

**1 Claim, 5 Drawing Sheets**





*Figure 1*

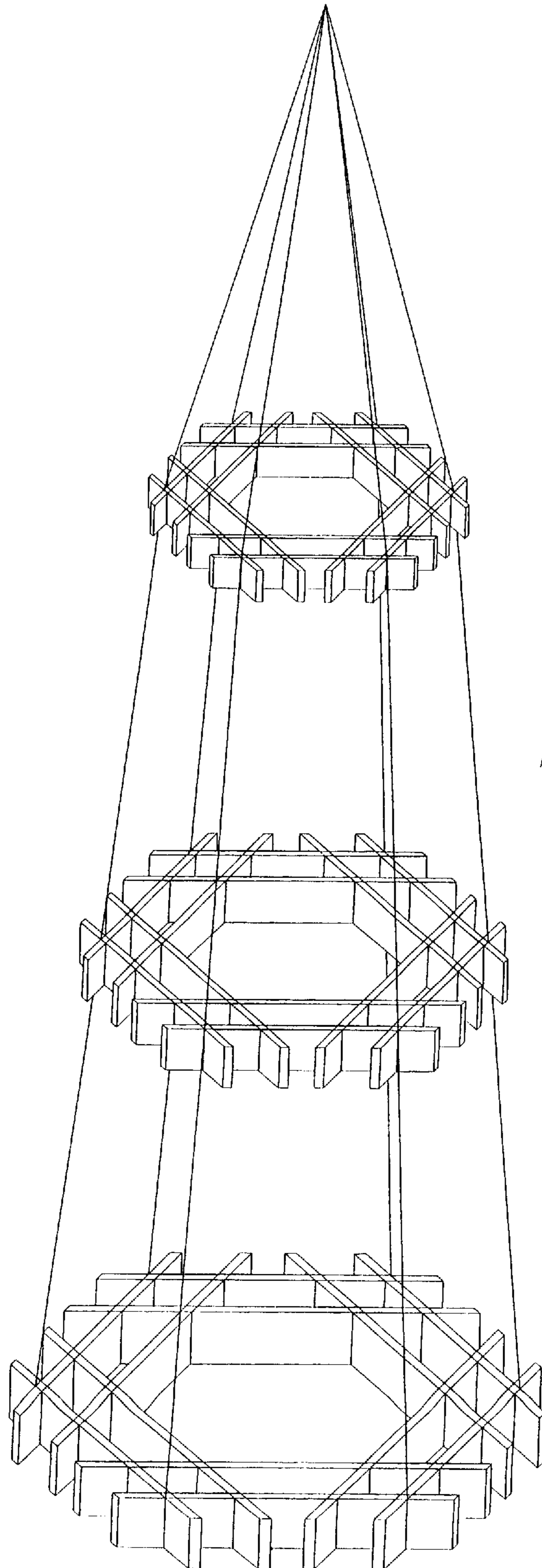


Figure 2

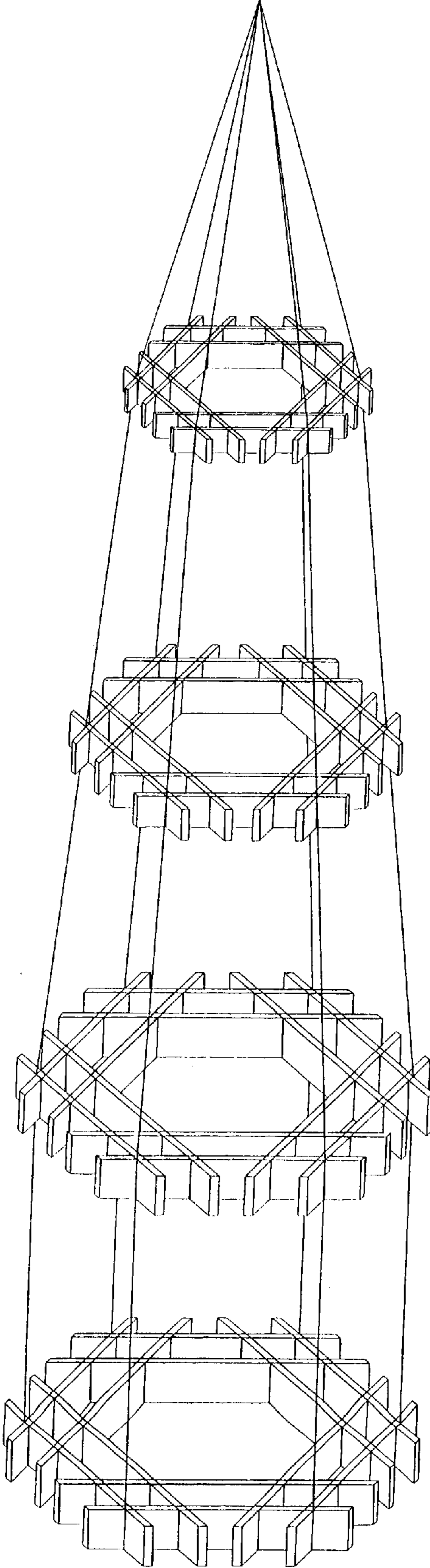


Figure 3

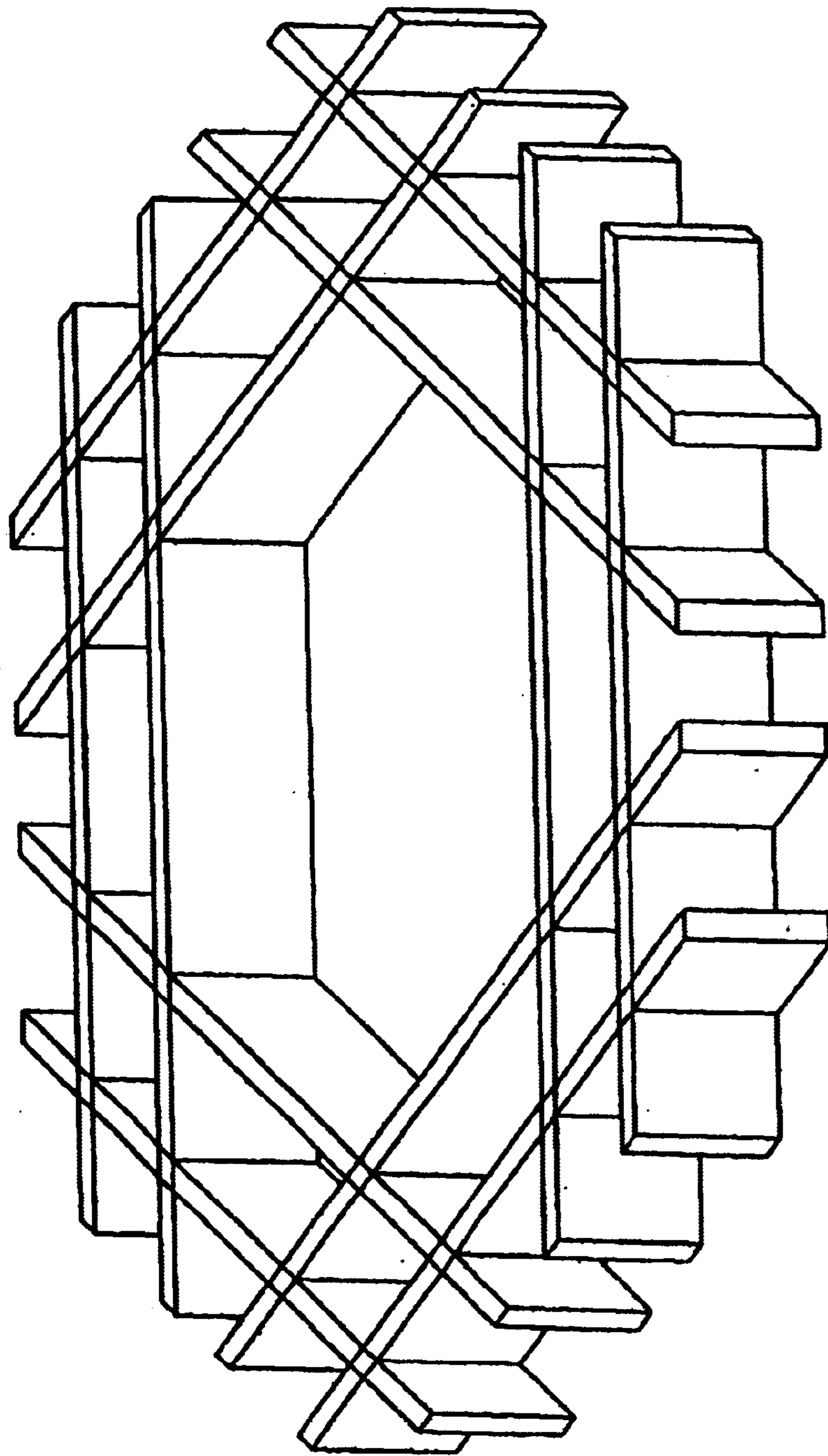


Figure 4

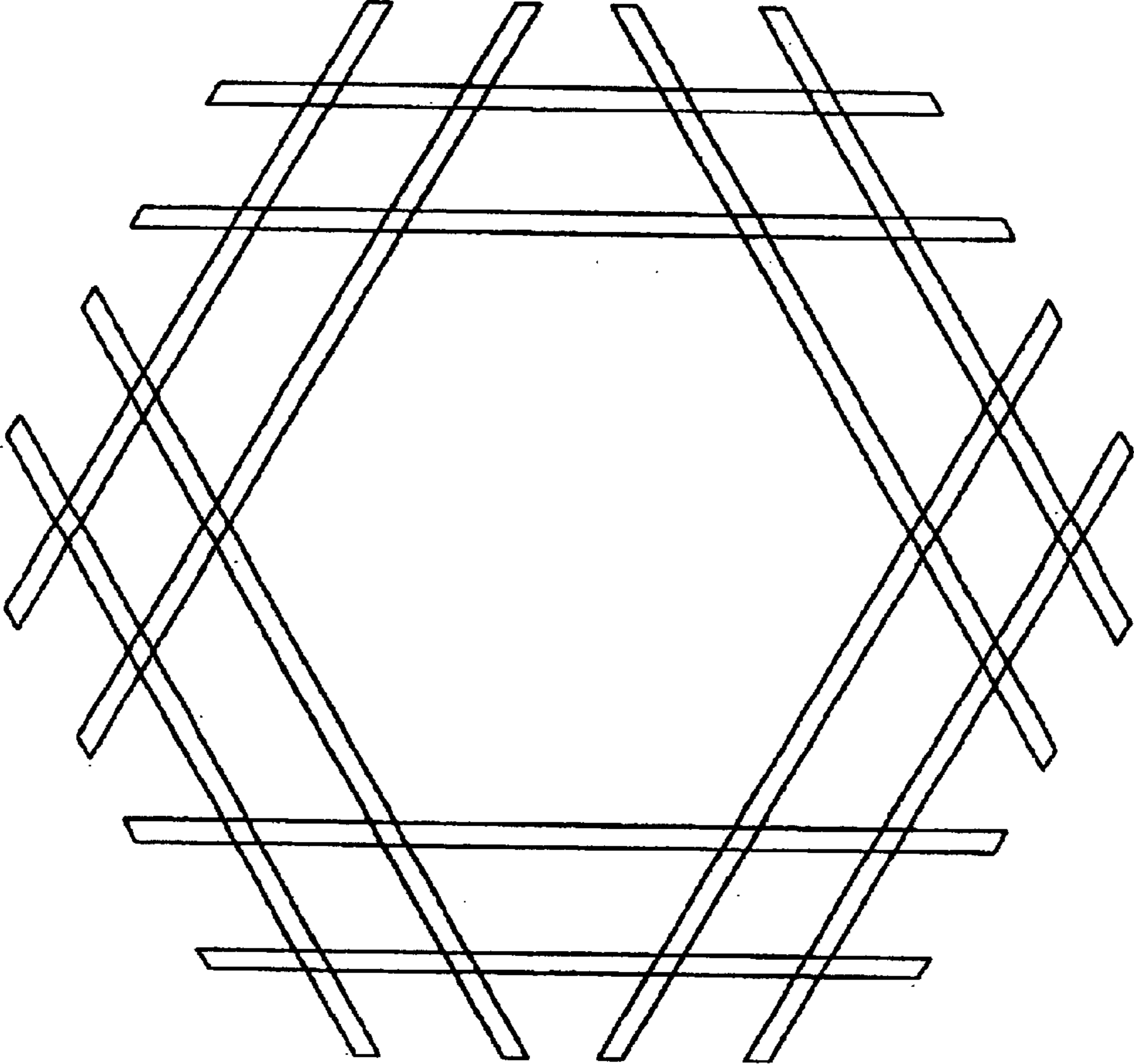


Figure 5