



US00D517830S

(12) **United States Design Patent**
Peterson et al.

(10) **Patent No.:** **US D517,830 S**
(45) **Date of Patent:** **** Mar. 28, 2006**

(54) **BED**

(75) Inventors: **Dale Peterson**, New York, NY (US);
Jonsara Ruth, Brooklyn, NY (US);
Stacy Mar, New York, NY (US);
Nathaniel Pearson, Brooklyn, NY (US)

(73) Assignee: **Martha Stewart Living Omnimedia, Inc.**, New York, NY (US)

(**) Term: **14 Years**

(21) Appl. No.: **29/210,398**

(22) Filed: **Jul. 30, 2004**

(51) **LOC (8) Cl.** **06-01**

(52) **U.S. Cl.** **D6/393**

(58) **Field of Classification Search** D6/382,
D6/385, 388-395, 505-508; 5/53.1, 907,
5/279.1, 280, 281, 2.1, 308
See application file for complete search history.

(56) **References Cited**

U.S. PATENT DOCUMENTS

D81,340 S	*	6/1930	Kindel	D6/393
D309,387 S	*	7/1990	Marshall	D6/394
D349,614 S	*	8/1994	Ferguson	D6/393
D429,084 S	*	8/2000	Wistehuff, Sr.	D6/393

OTHER PUBLICATIONS

Photo (1) of leg for a bed taken in May 2003 at Brimfield Antiques Show in Brimfield, MA—1 sheet.
Photo (1) of leg for a bed taken in Spring 2003 at an antique store in Stamford Connecticut, address unknown—1 sheet.
Photos (2) of tables taken in Spring 2003 at an antique store in Stamford Connecticut, address unknown—1 sheet.
Photos (5) of beds from www/leonardsdirect.com, Spring 2003—1 sheet.

Photos (2) of a footboard and headboard for a bed taken in Spring 2003, location unknown—1 sheet.

Photos (2) of bed from Housebeautiful Magazine (www.housebeautiful.com), Jun. 2003 edition—1 sheet.

Photos of beds from magazine, date and issue unknown—pp. 132-133.

Photo (1) of bed, date and location unknown—1 sheet.

* cited by examiner

Primary Examiner—Janice E. Seeger

(74) *Attorney, Agent, or Firm*—Kenyon & Kenyon

(57) **CLAIM**

The ornamental design for a bed, as shown and described.

DESCRIPTION

FIG. 1 is a perspective view of an embodiment of a bed showing my new design;

FIG. 2 is a right side view thereof, the left side view being a mirror image thereof;

FIG. 3 is a front view thereof;

FIG. 4 is a top view thereof;

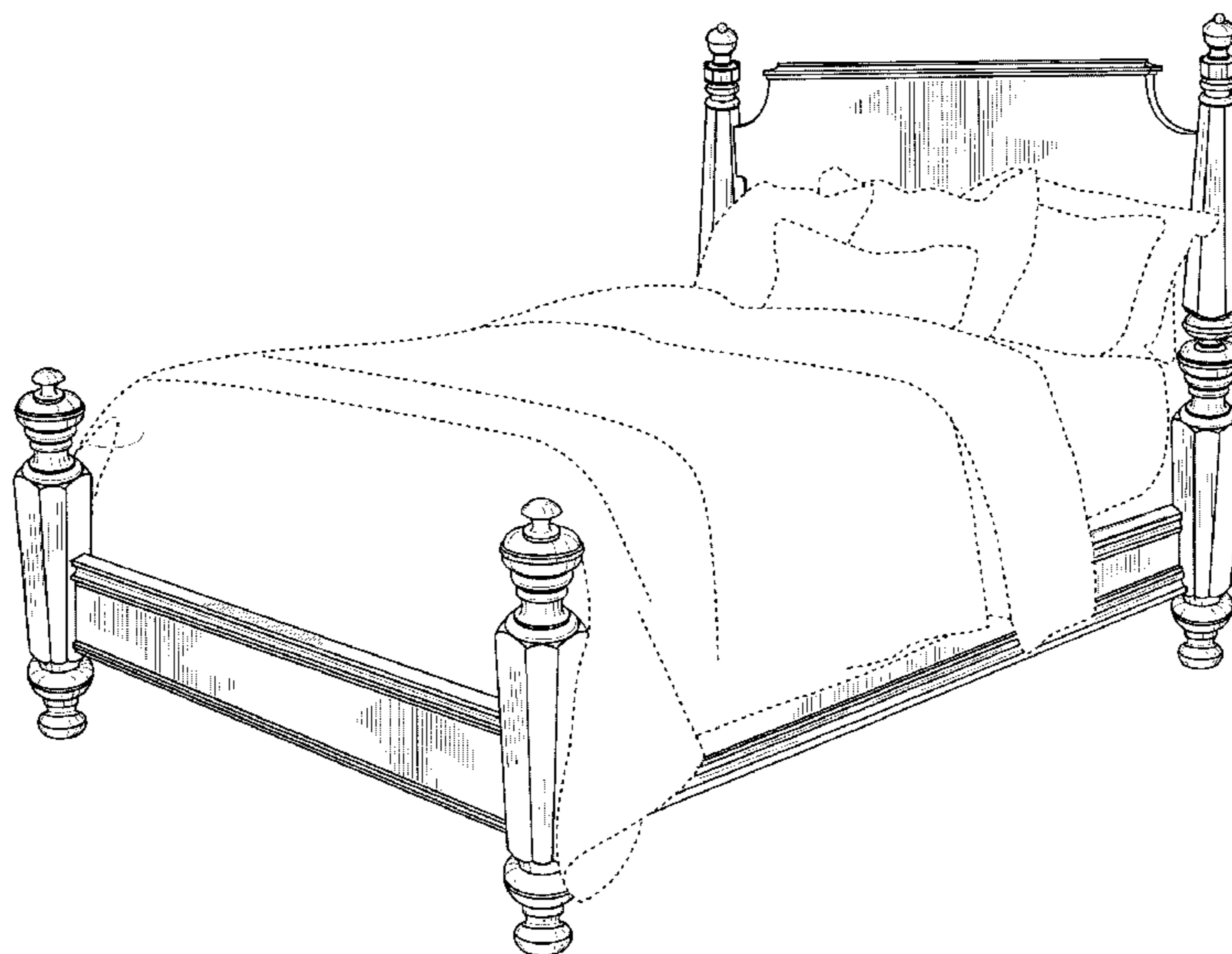
FIG. 5 is an enlarged view of the leg thereof;

FIG. 6 is a right side elevational view of a second embodiment of a bed showing my new design, the side being shown broken away to indicate indeterminate length, the left side elevational view being a mirror image thereof; and,

FIG. 7 is a front elevational view of FIG. 6, the footboard and headboard shown broken away to indicate indeterminate width.

FIGS. 1 to 5 illustrate the bed of my design in the proportions of a King size bed. FIGS. 6 and 7 show that the width and/or the length of the bed of my design is indeterminate. The single broken line portions are for illustrative purposes only and form no part of the claimed design.

1 Claim, 7 Drawing Sheets



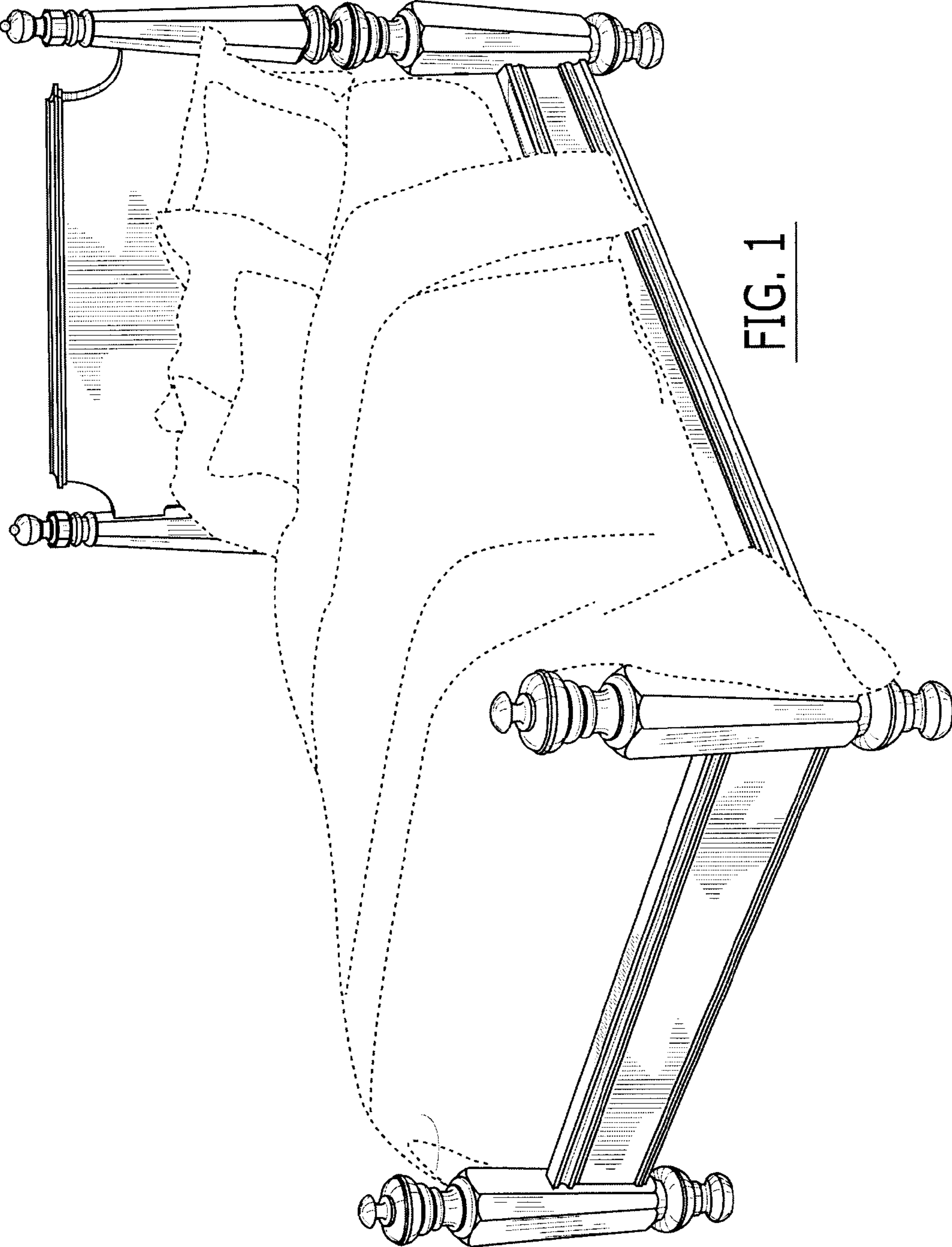


FIG. 1

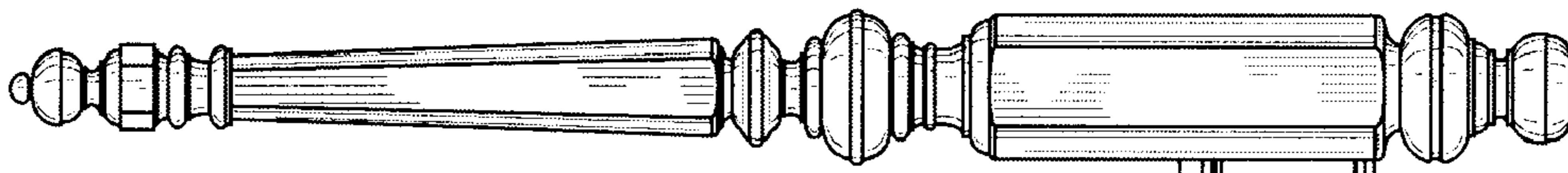


FIG. 5

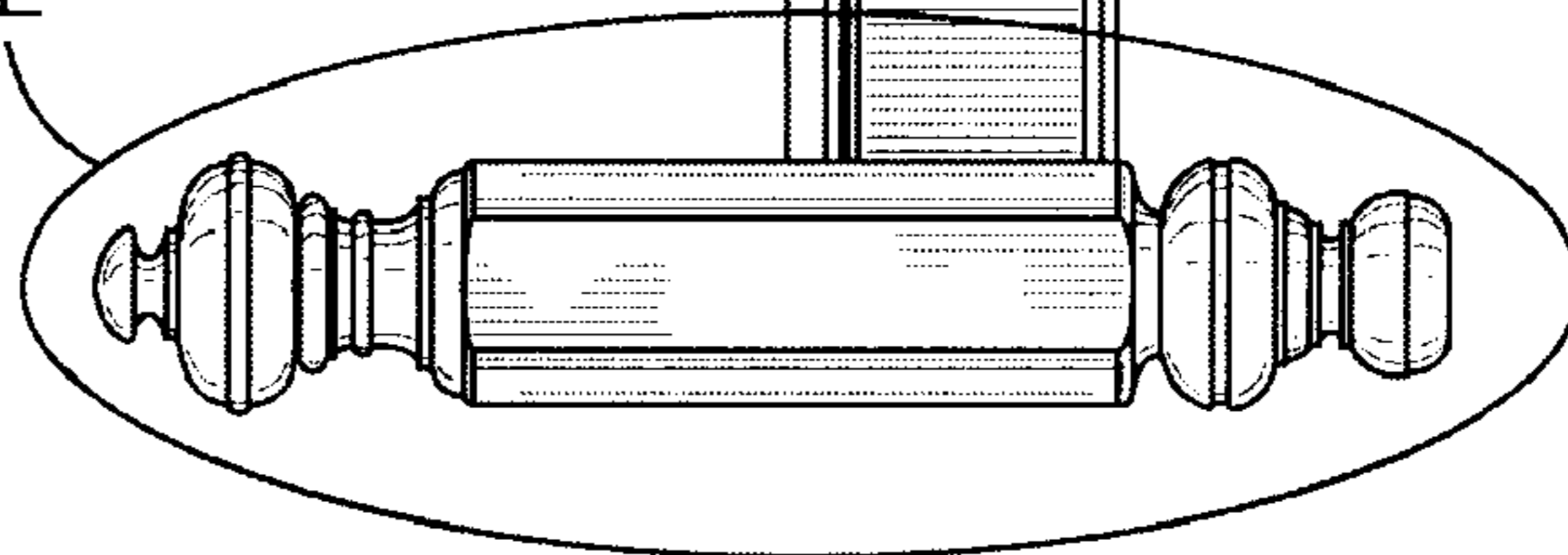


FIG. 2

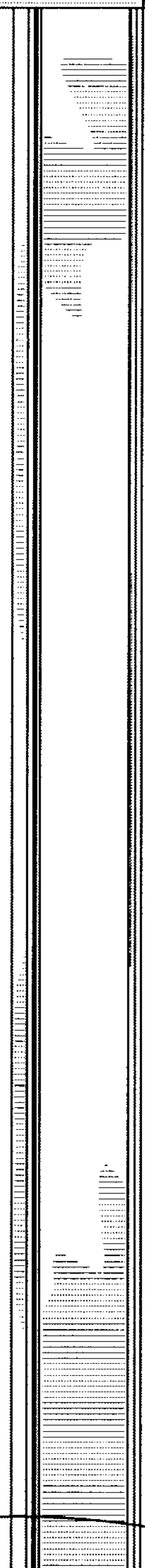




FIG. 3

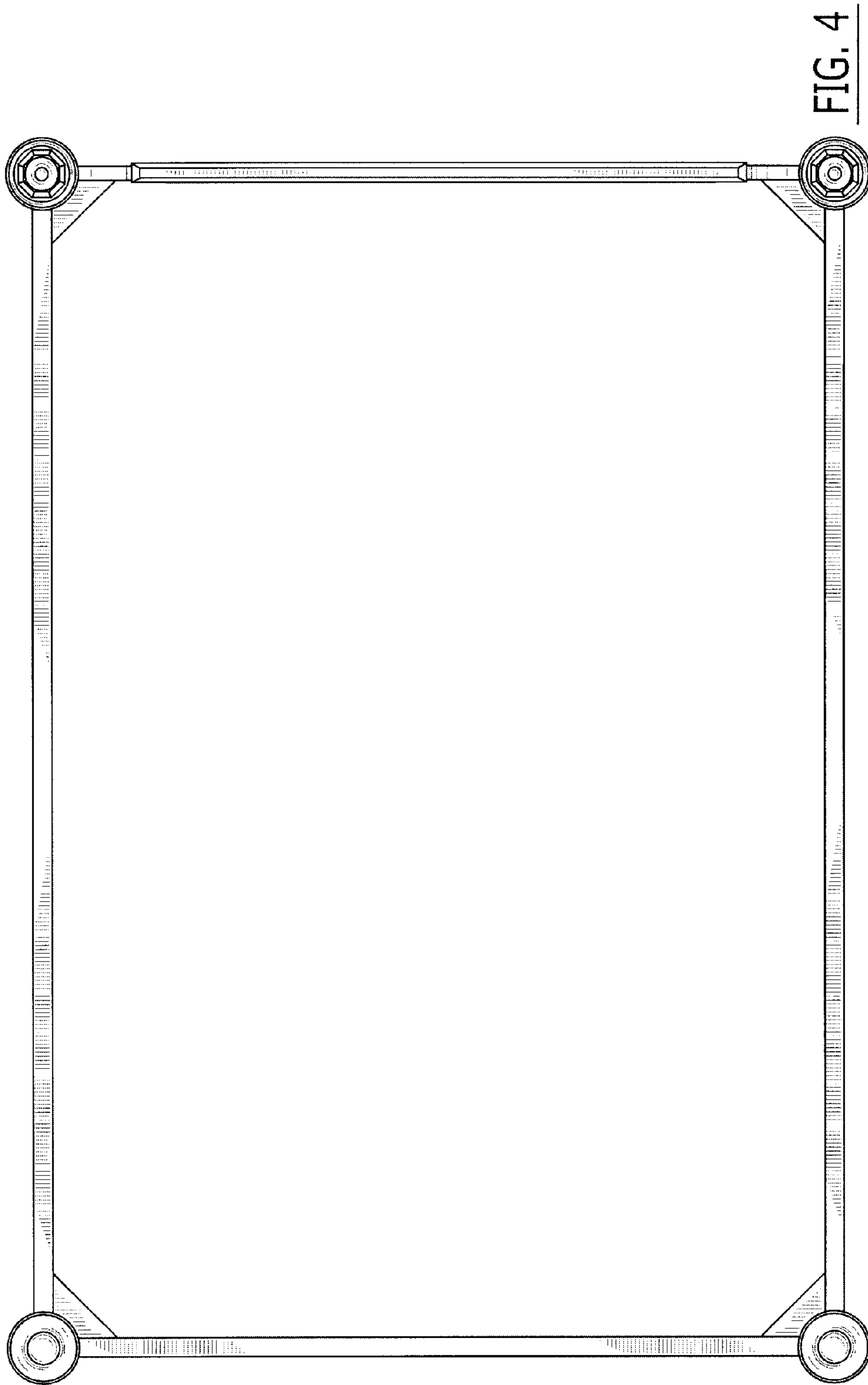


FIG. 4

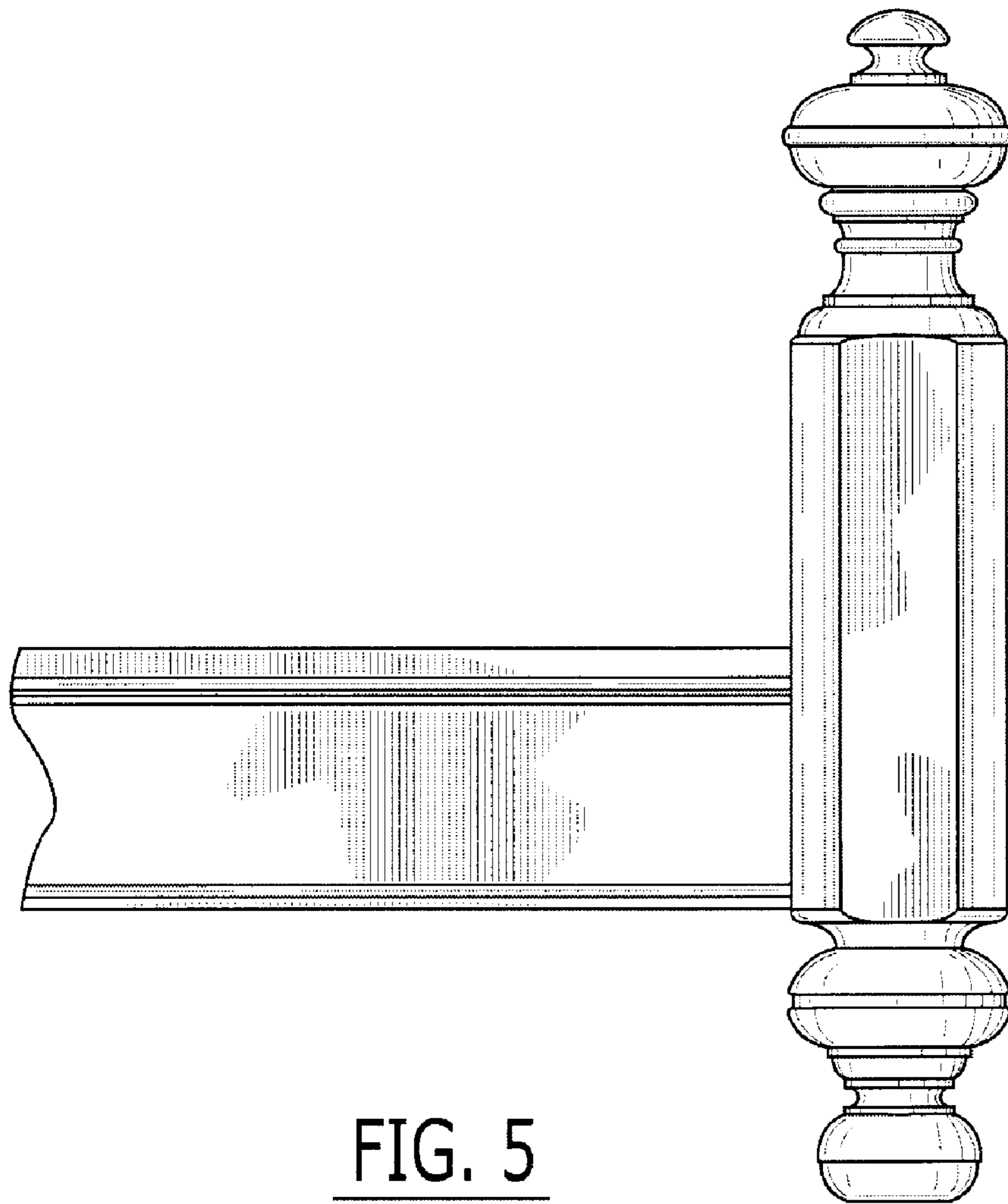


FIG. 5

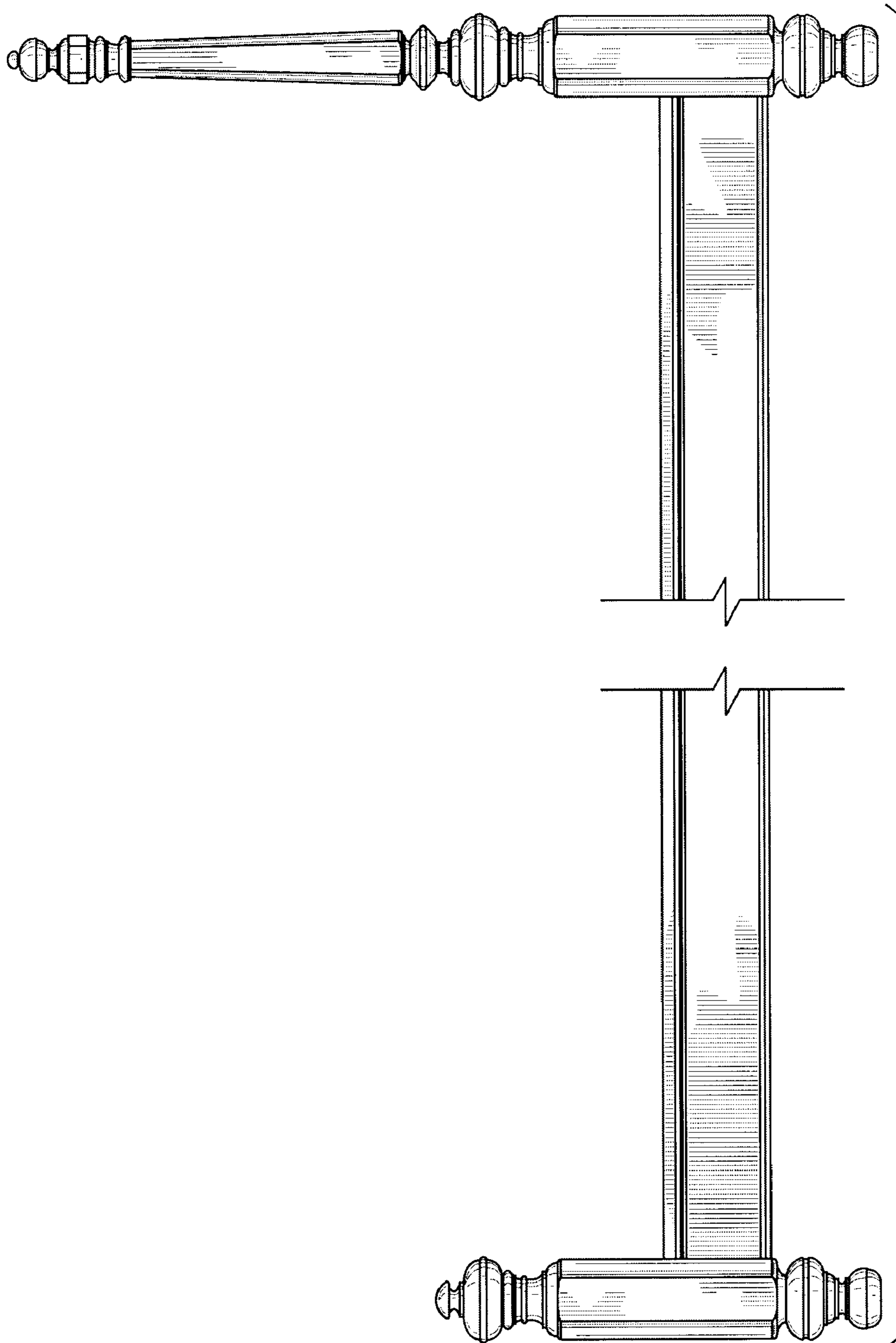


FIG. 6

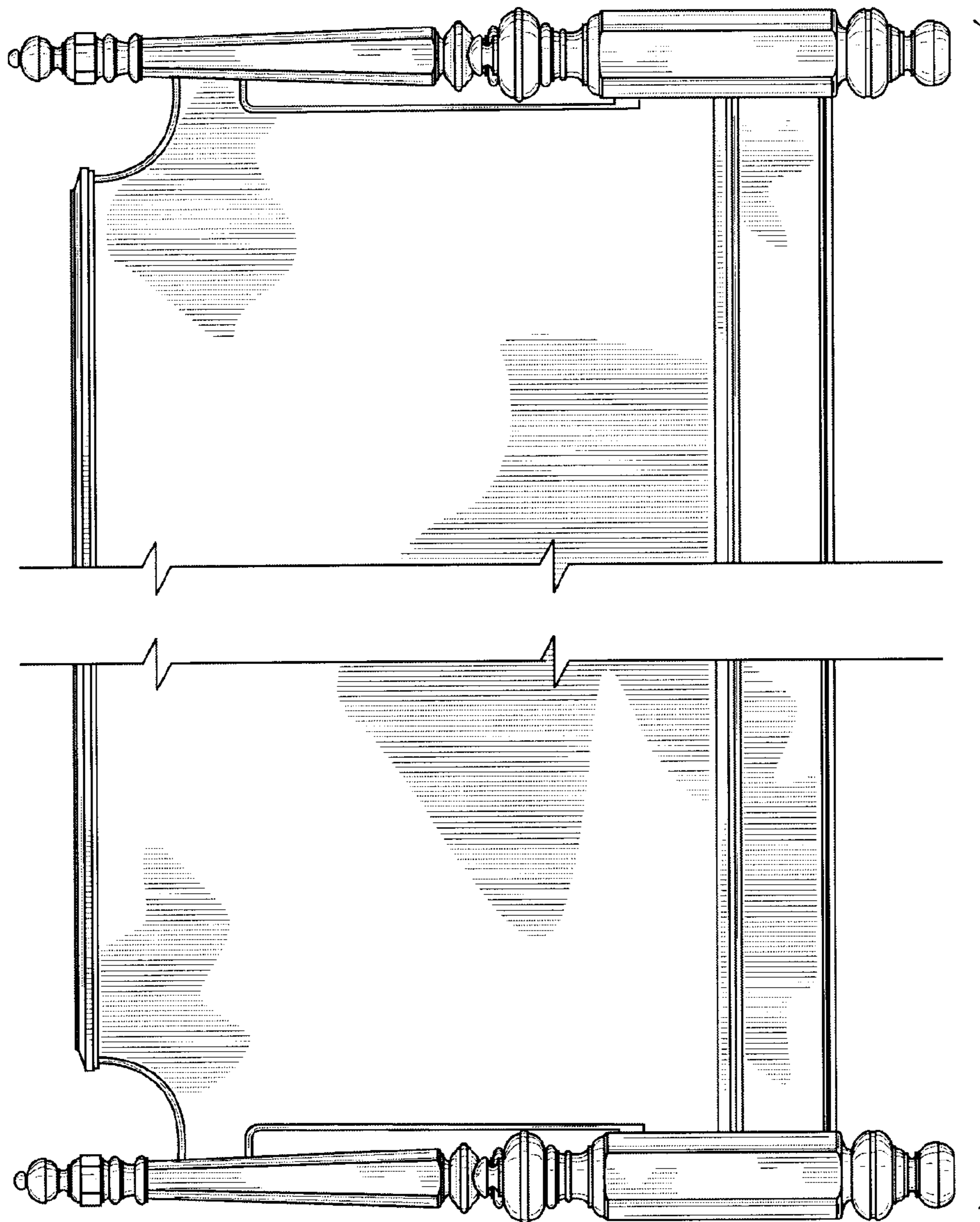


FIG. 7