



US00D517828S

(12) **United States Design Patent**
Magnani et al.

(10) **Patent No.:** **US D517,828 S**
(45) **Date of Patent:** **** Mar. 28, 2006**

(54) **OFFICE CHAIR**

(75) Inventors: **Maurizio Magnani**, Lodi (IT); **Roberto Magnani**, Lodi (IT)

(73) Assignee: **Sesta S.r.L.**, Cornegliano Laudense (IT)

(**) Term: **14 Years**

(21) Appl. No.: **29/195,419**

(22) Filed: **Dec. 11, 2003**

(30) **Foreign Application Priority Data**

Jun. 13, 2003 (IT) MI2003O0303

(51) **LOC (8) Cl.** **06-01**

(52) **U.S. Cl.** **D6/380; D6/379**

(58) **Field of Classification Search** D6/334,
D6/335, 364, 365, 366, 368, 372-374, 379,
D6/380, 500-502; 297/411.2, 411.28, 445.1,
297/446.1

See application file for complete search history.

(56) **References Cited**

U.S. PATENT DOCUMENTS

- D274,579 S * 7/1984 Diffrient D6/372
- D338,785 S * 8/1993 Lange D6/379
- D350,653 S * 9/1994 Citterio D6/372

- D355,081 S * 2/1995 Scheper D6/380
- D395,764 S * 7/1998 Dozsa-Farkas D6/372
- D446,661 S * 8/2001 Ambasz D6/368
- D464,495 S * 10/2002 Chu D6/374
- D469,971 S * 2/2003 Piretti D6/374
- D475,544 S * 6/2003 Chadwick et al. D6/380
- D476,495 S * 7/2003 Tsai D6/380

* cited by examiner

Primary Examiner—Mimosa De

(74) *Attorney, Agent, or Firm*—Bucknam and Archer

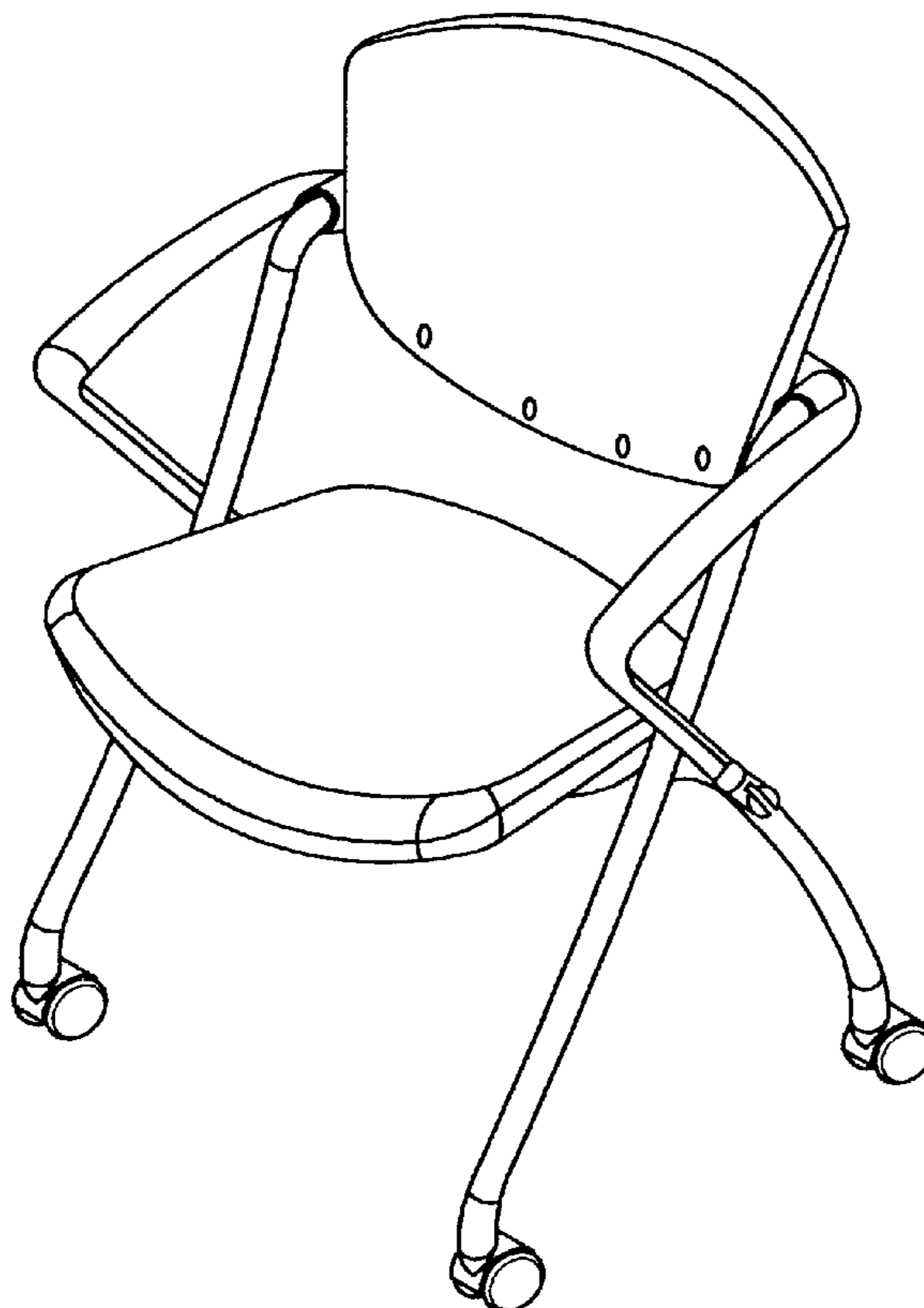
(57) **CLAIM**

The ornamental design for an office chair, as shown and described.

DESCRIPTION

FIG. 1 shows a top perspective view of my design for an office chair;
 FIG. 2 shows a bottom perspective view thereof;
 FIG. 3 shows a right side view thereof;
 FIG. 4 shows a front view thereof;
 FIG. 5 shows a left side view thereof;
 FIG. 6 shows a rear view thereof;
 FIG. 7 shows a top plan view thereof; and,
 FIG. 8 shows a bottom plan view thereof.

1 Claim, 4 Drawing Sheets



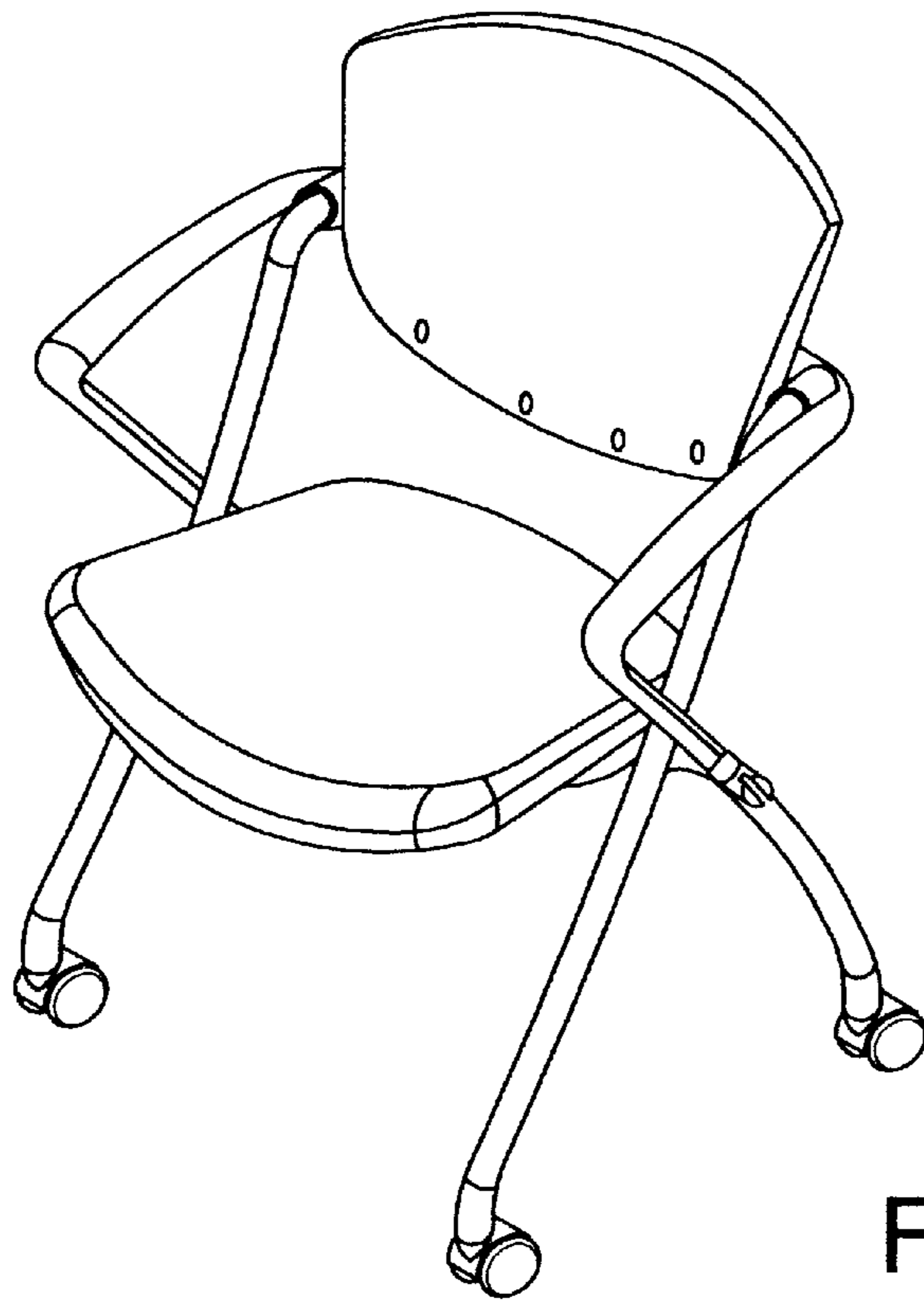


Fig.1

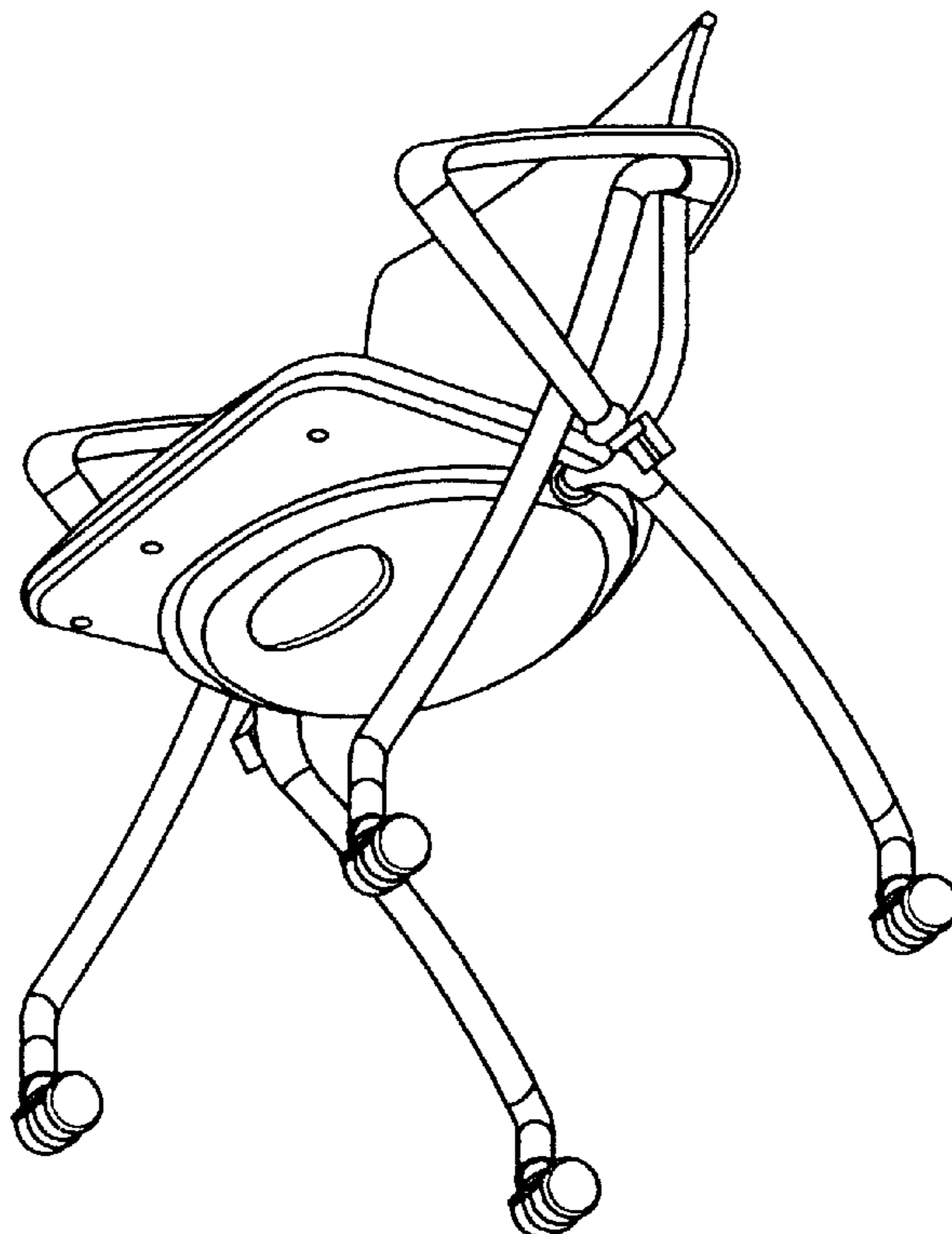


Fig.2

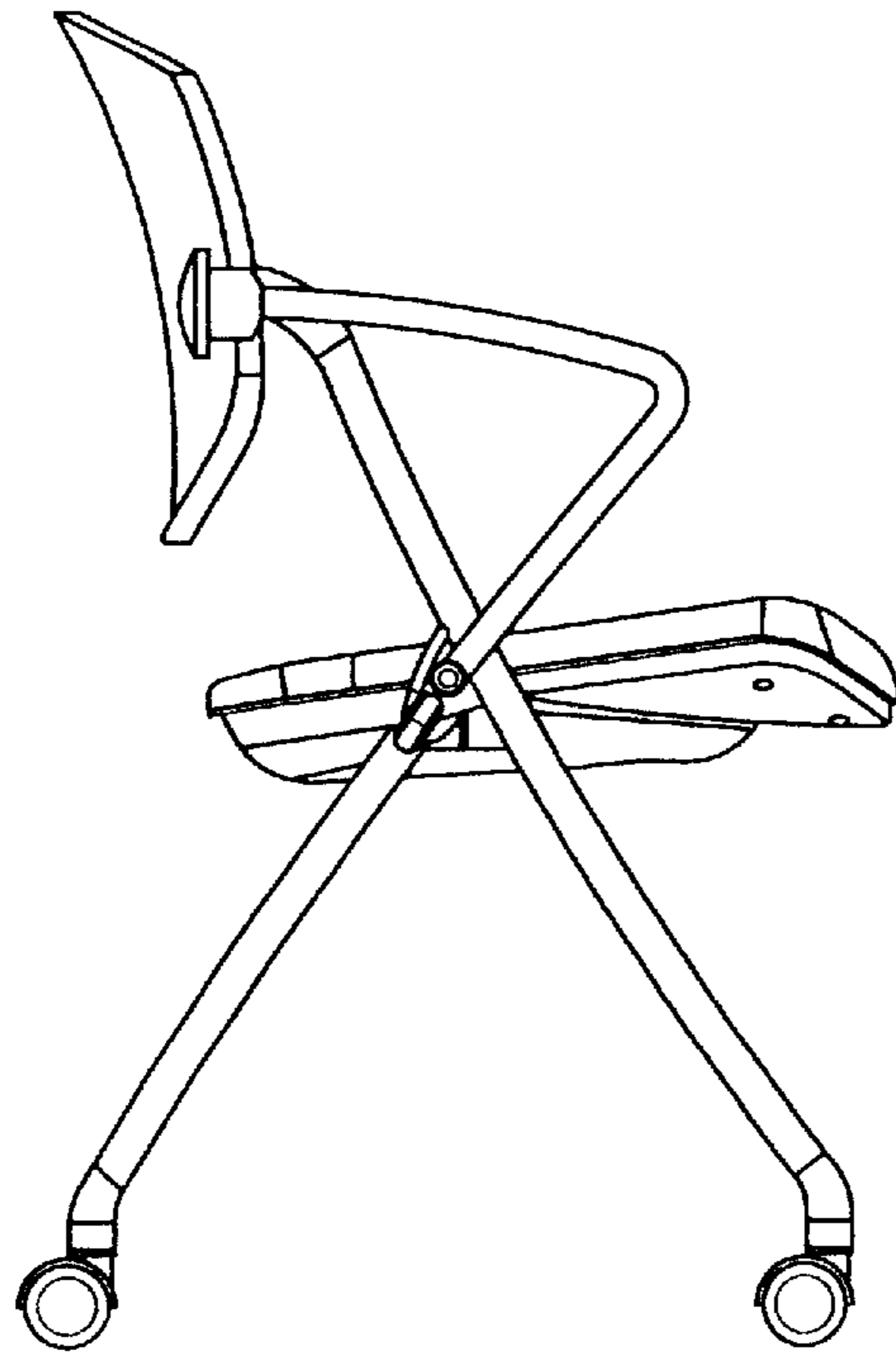


Fig.3

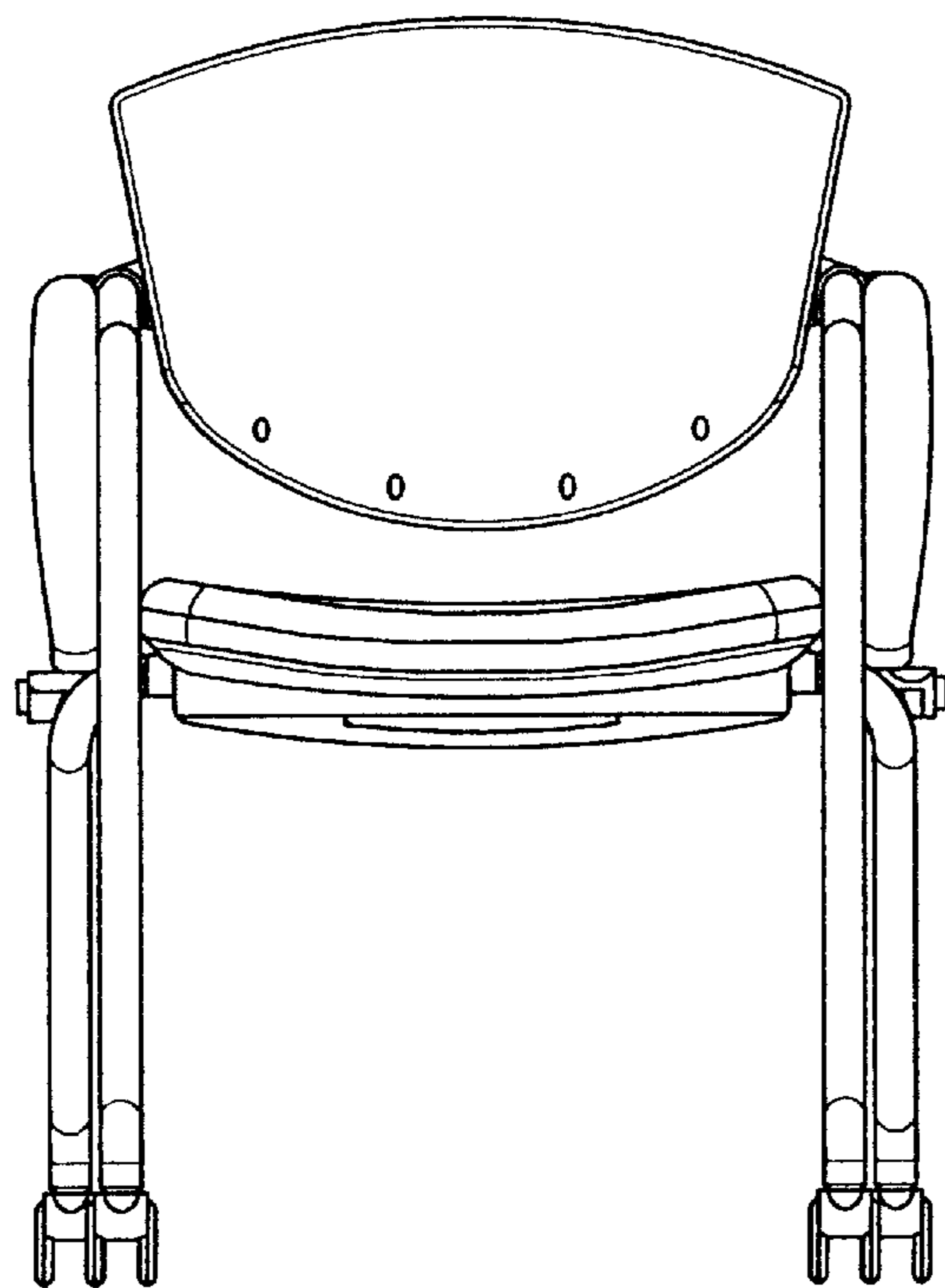


Fig.4

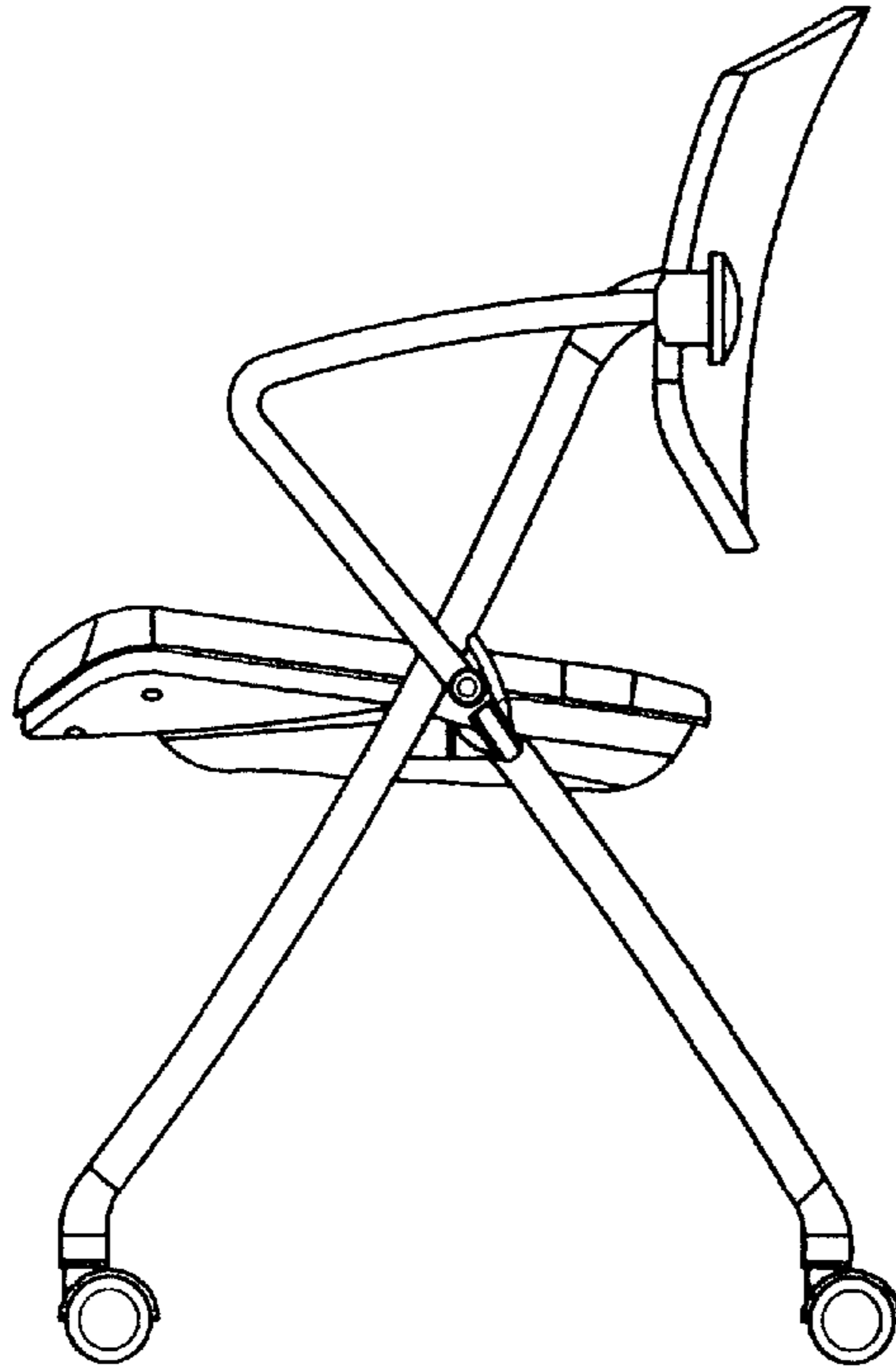


Fig.5

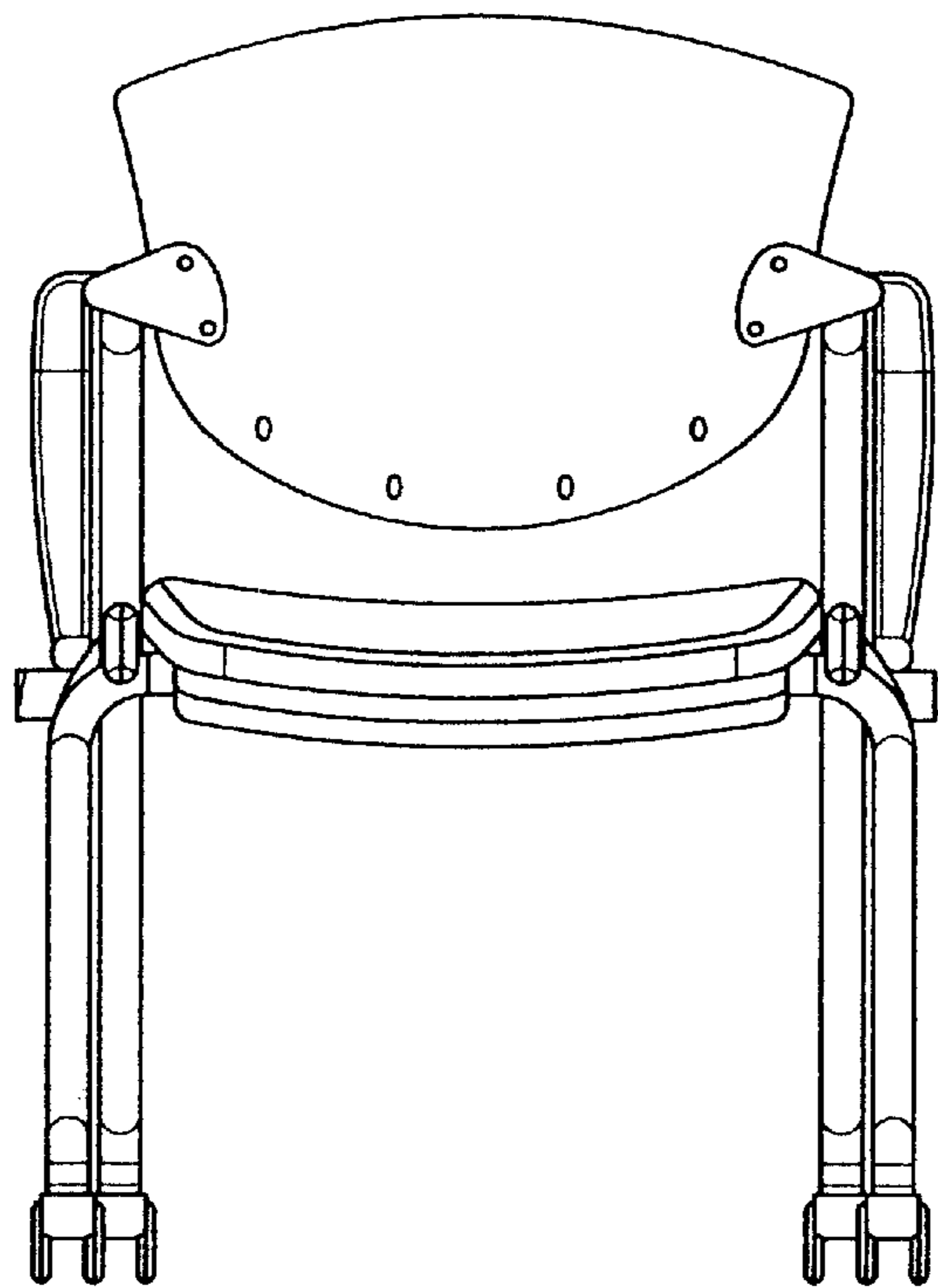


Fig.6

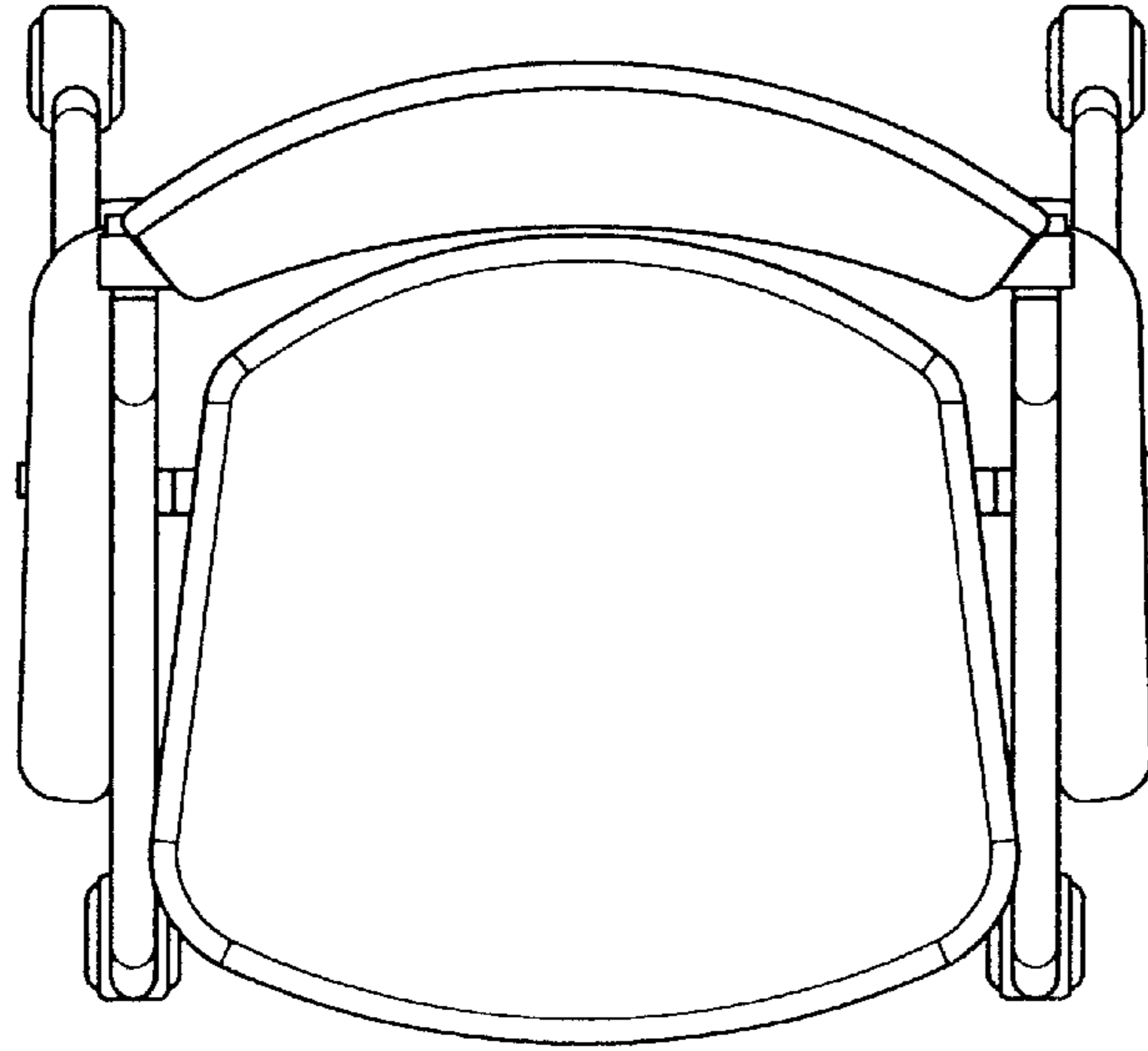


Fig.7

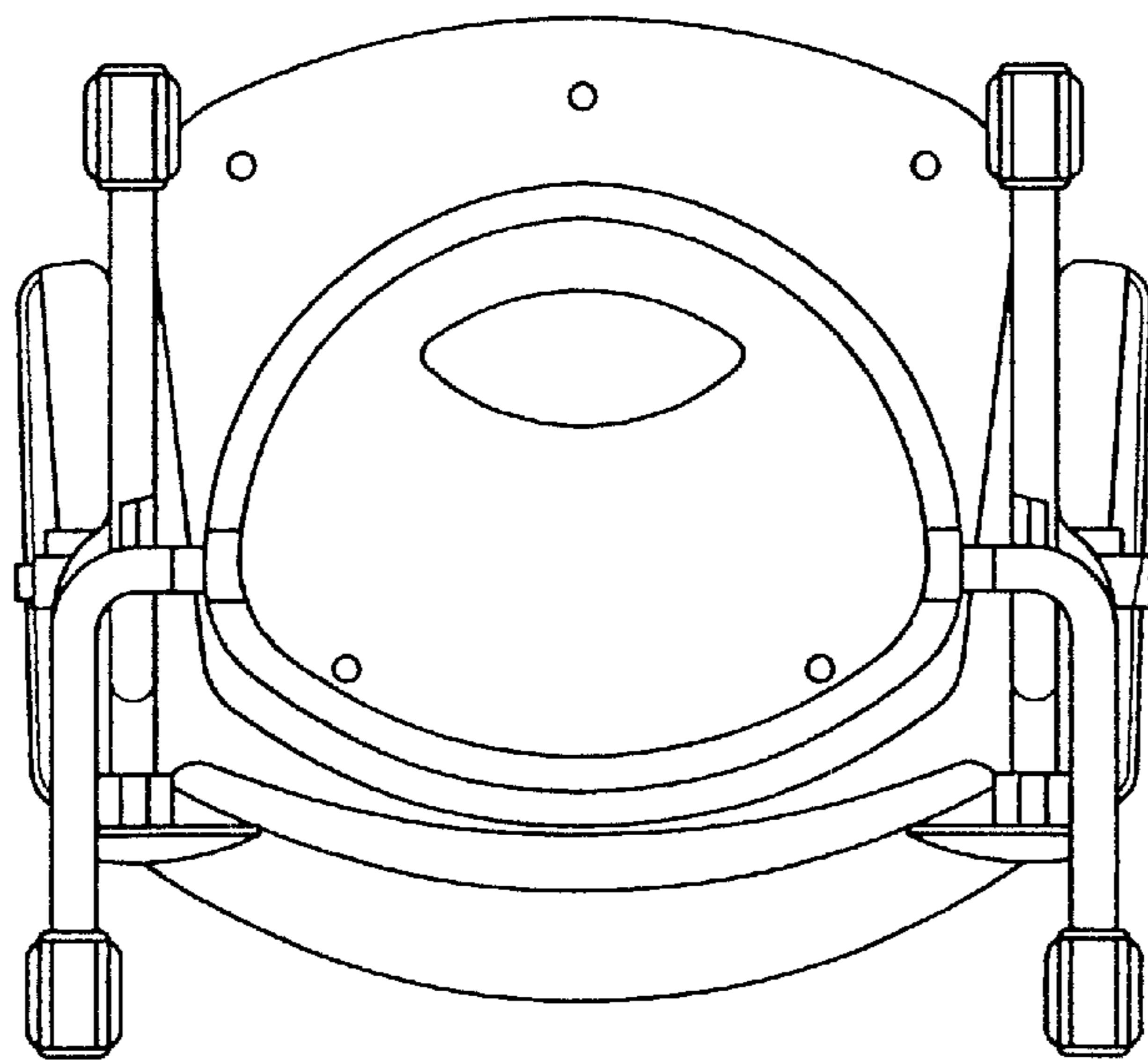


Fig.8